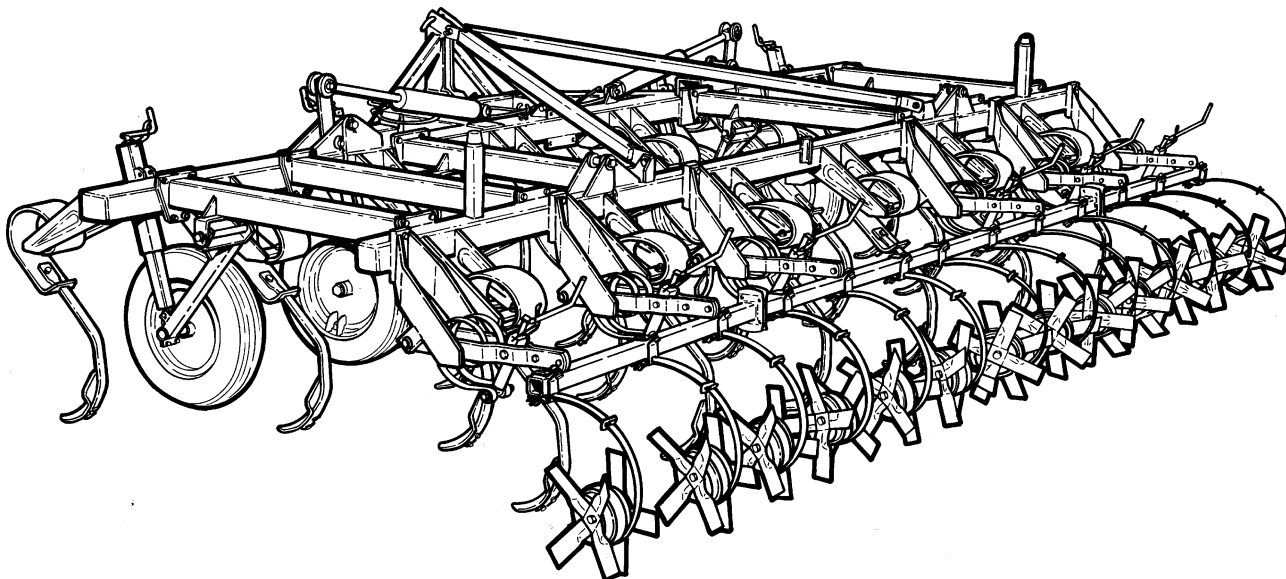


## ***VF 4000 Lift***



**Reservedelsliste**

**Spare parts list**

**Ersatzteilliste**

**Onderdelenlijst**

**Liste de pièce de rechange**

**Lista dei pezzi di ricambio**

# VF 4013

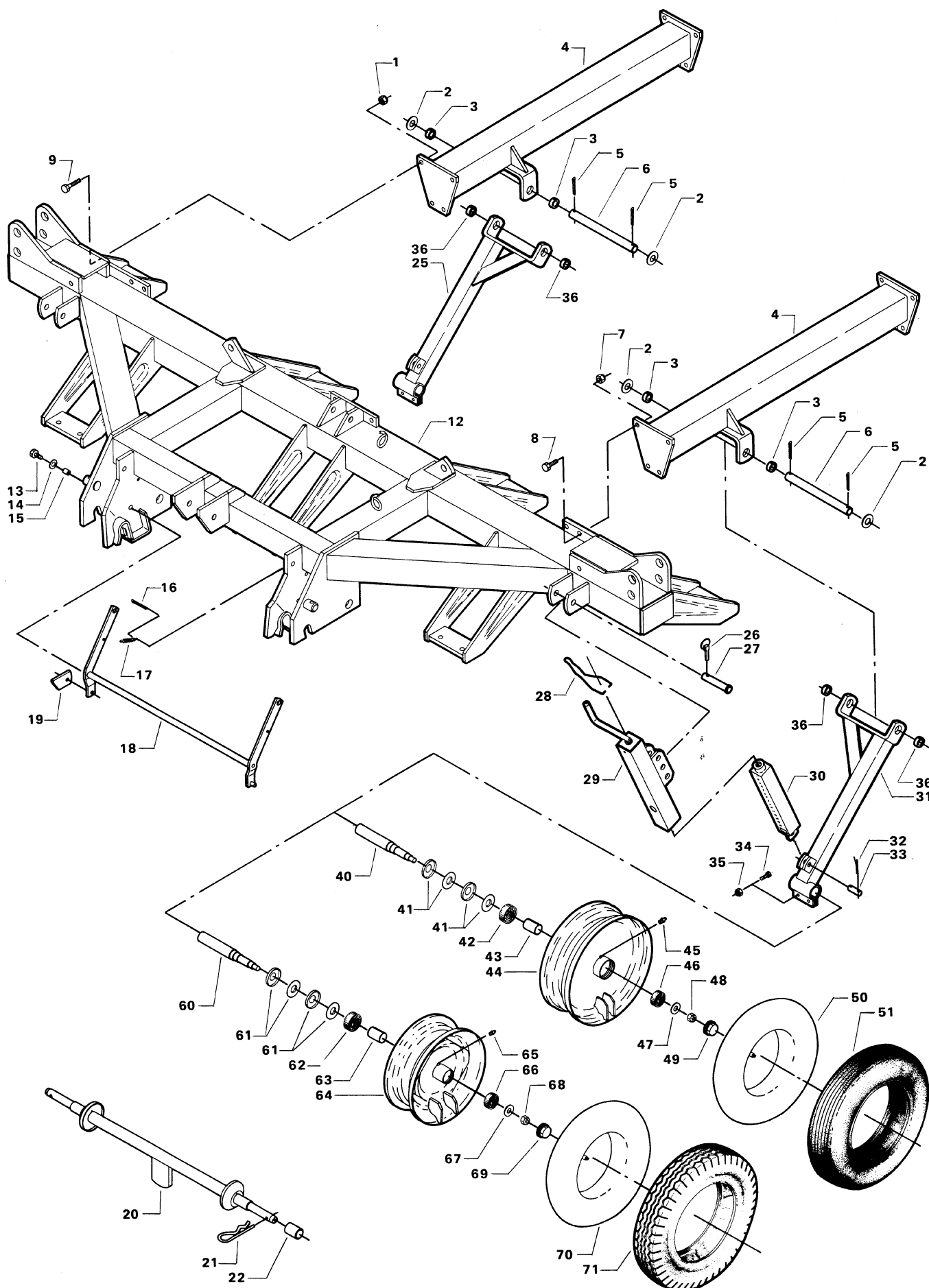


Fig.	Serial no.	Part no.	Pieces	Notes
1		100 316 006	2	Lock nut M16
2		100 381 018	4	Flat washer $\phi$ 1"
3		101 090 199	4	Tension bushing $\phi$ 33/27 x 12 mm
4		105 150 146	2	
5		100 333 008	4	Split pin $\phi$ 8 x 40 mm
6		105 000 670	2	
7		100 316 006	6	Lock nut M16
8		100 306 056	6	Bolt M16 x 45 mm
9		100 306 058	2	Bolt M16 x 60 mm
12		105 185 001	1	
13		100 304 033	2	Set screw M12 x 45 mm
14		100 331 007	2	Flat washer M12
15		105 000 410	2	Spacer $\phi$ 17/13 x 20 mm
16		100 333 008	2	Split pin $\phi$ 8 x 40 mm
17		101 000 624	2	
18		105 000 396	1	
19		105 000 390	2	
20		101 050 297	1	Cat. 2
21		100 333 012	1	Hair pin clip $\phi$ 8 mm
22		101 050 588	1	$\phi$ 38/28.7 x 43 mm
Cpl:		101 050 296	1	Repair kit. Fig. 20 - 22 Cat.2 CND 105 mm
25		105 150 239	1	
26		100 333 014	2	Lynch pin $\phi$ 9.5 mm
27		101 000 787	2	$\phi$ 19 x 118 mm
28		101 000 064	2	
29		105 150 085	2	
30		105 000 398	2	
31		105 150 238	1	
32		100 333 003	4	Split pin $\phi$ 4 x 25 mm
33		105 000 667	2	$\phi$ 16 x 46 mm
34		100 306 030	4	Set screw M10 x 30 mm
35		100 316 004	4	Lock nut M10
36		101 090 199	4	Tension bushing $\phi$ 33/27 x 12 mm
40		100 423 081	1	$\phi$ 40 x 265 mm
41		100 423 036	2	Seal cover Z007
42		100 401 030	1	Ball bearing #6206
43		100 423 062	1	Spacer $\phi$ 35/31 x 64.6 mm
44		100 423 073	1	6.75" - 14.5"
45		100 421 000	1	Grease nipple M6
46		100 401 028	1	Ball bearing #6305
47		100 423 064	1	Flat washer $\phi$ 40/17 x 3 mm
48		100 316 006	1	Lock nut M16
49		100 423 065	1	M62 x 1 mm
50		100 423 071	1	24 x 8.00- 14.5"
51		100 423 070	1	24 x 8.00- 14.5"/10 ply
Cpl:		101 150 250	1	Repair kit. Fig. 40 - 51, Rubber wheel 24 x 8.00- 14.5"/10 ply
60		100 423 035	1	
61		100 423 036	2	Seal cover Z007
62		100 401 030	1	Ball bearing #6206
63		100 423 055	1	Spacer $\phi$ 35/31 x 49.2 mm
64		100 423 034	1	4.00 x 12"/2.5 mm
65		100 421 000	1	Grease nipple M6
66		100 401 008	1	Ball bearing #6205
67		100 423 038	1	Flat washer $\phi$ 34/17 x 3 mm
68		100 316 006	1	Lock nut M16
69		100 423 037	1	M52 x 1 mm
70		100 423 040	1	6.00 x 12"
71		100 423 039	1	6.00 x 12"/4 ply
Cpl:		105 000 442	1	Repair kit. Fig. 60 - 71, Rubber wheel 6.00 x 12"/4 ply

# VF 4008/4012

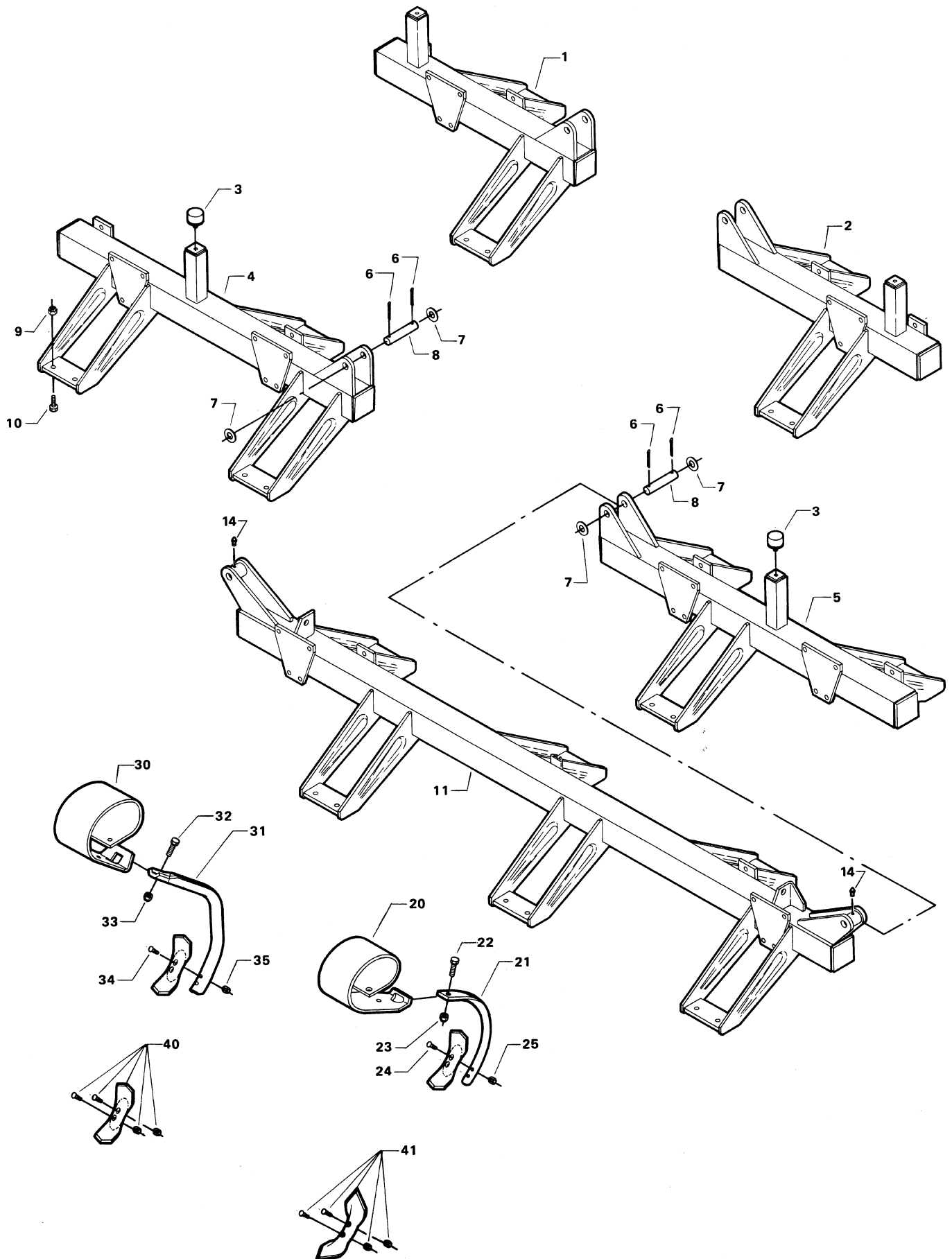
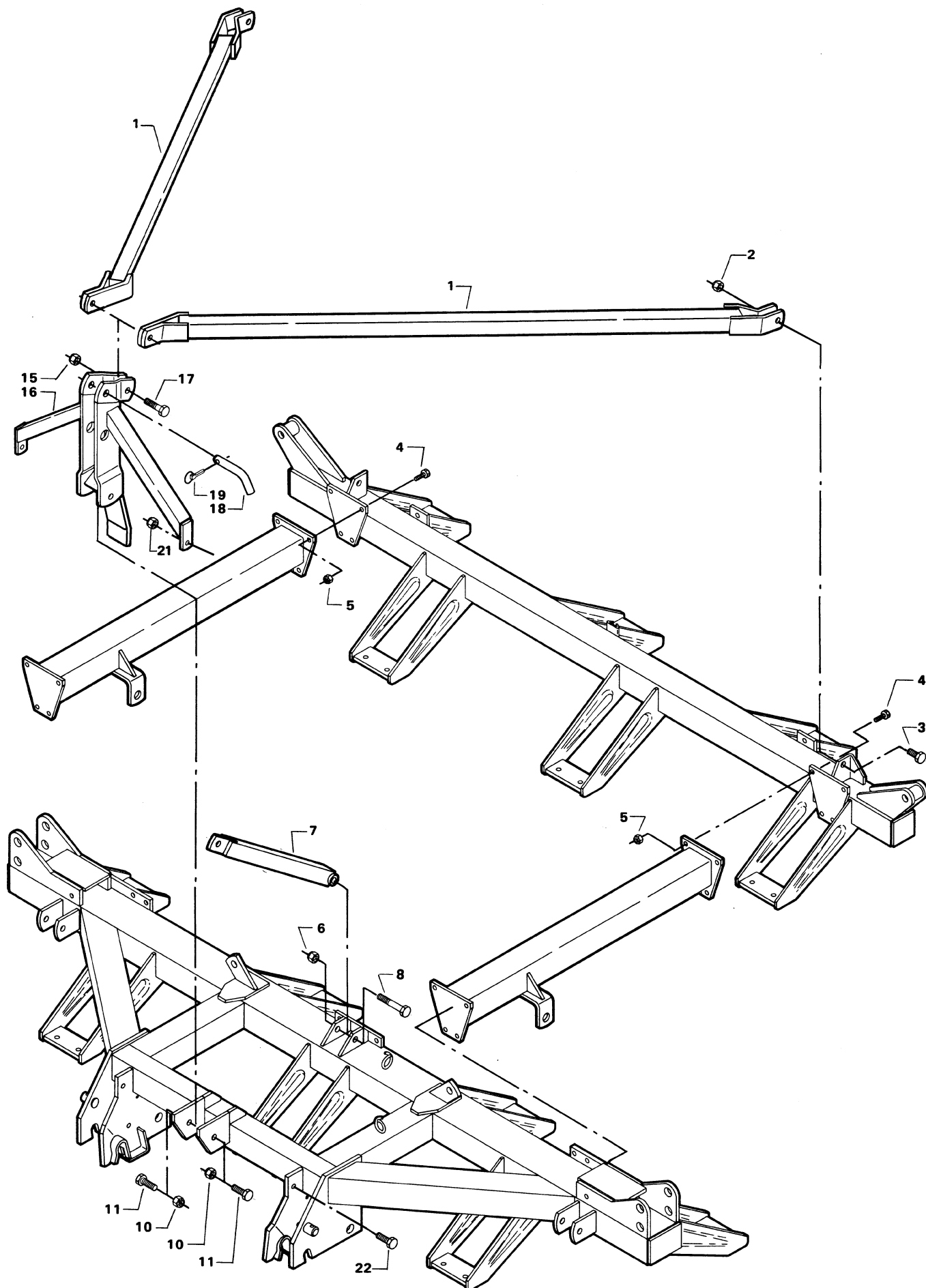


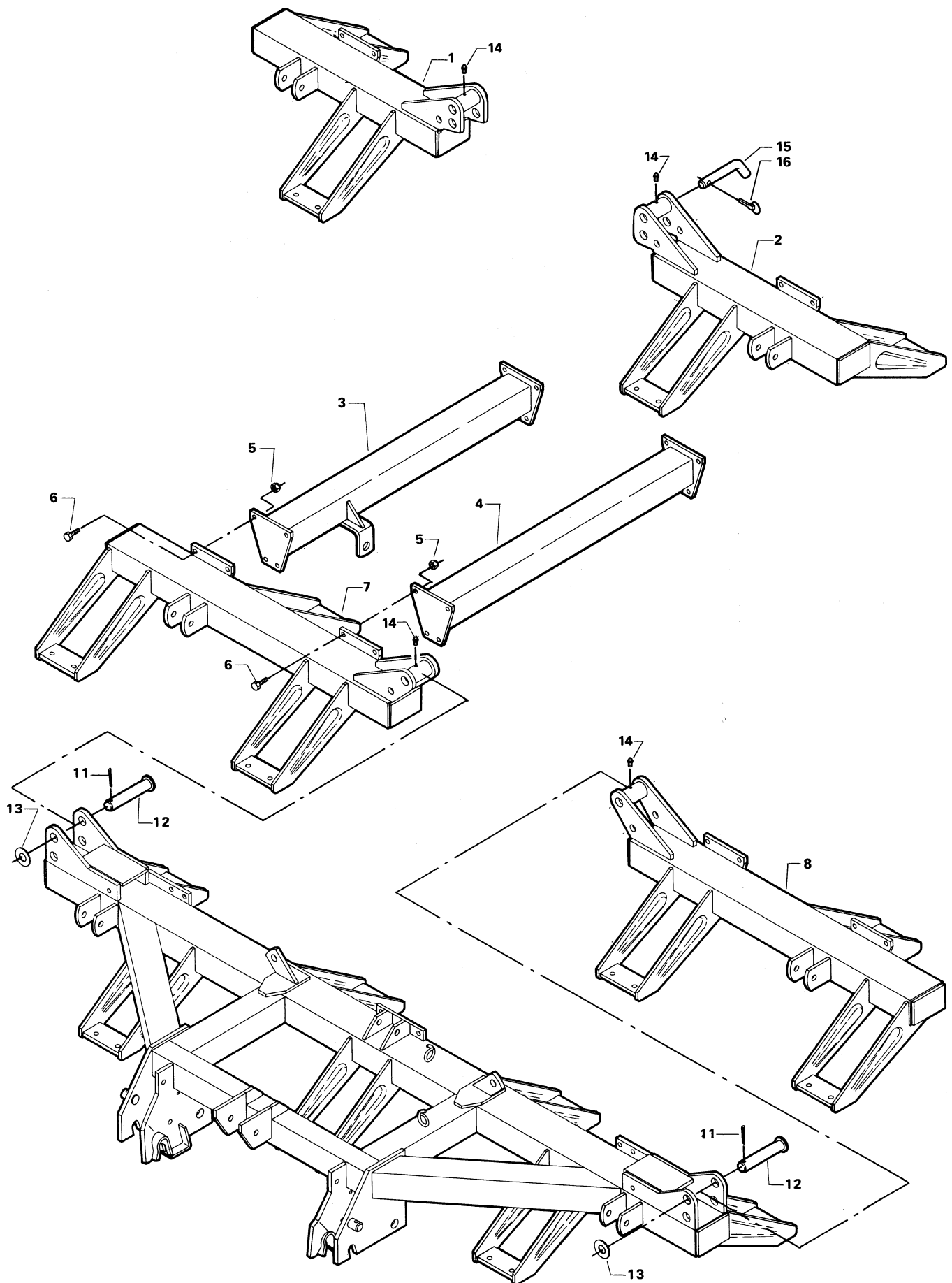
Fig.	Serial no.	Part no.	Pieces	Notes
1		105 186 002	1	VF 4008
2		105 186 004	1	VF 4008
3		100 323 270	2	M10
4		105 187 002	1	VF 4012
5		105 187 004	1	VF 4012
6		100 333 008	4	Split pin $\varnothing 8 \times 40$ mm
7		100 381 018	4	Flat washer $\varnothing 1"$
8		101 207 135	2	$\varnothing 25 \times 133$ mm
9		100 316 006	-	Lock nut M16
10		100 306 056	-	Bolt M16 x 45 mm
11		105 185 003	1	Grease nipple M6 Type: VF Type: VF Bolt M16 x 45 mm
14		100 421 000	2	
20		105 000 002	-	
21		105 000 128	-	
22		100 306 056	-	
23		100 316 006	-	Lock nut M16 mm Repair kit. Fig. 24 + 25, pack with 20 pcs. Type: VFM Type: VFM Bolt M16 x 45 mm
Cpl:		100 323 403	-	
30		105 150 055	-	
31		105 150 056	-	
32		100 306 056	-	
33		100 316 006	-	Lock nut M16 mm Repair kit. Fig.34 + 35, pack with 20 pcs. Ultra share, 6,5 cm / 8 mm reverseble, with bolts. Ultra mulching share, 11 cm / 10 mm reversebli, with bolts.
Cpl:		100 323 403	-	
40		105 000 800	-	
41		105 000 794	-	

# VF 4013





# VF 4008/4012







# VF 4013

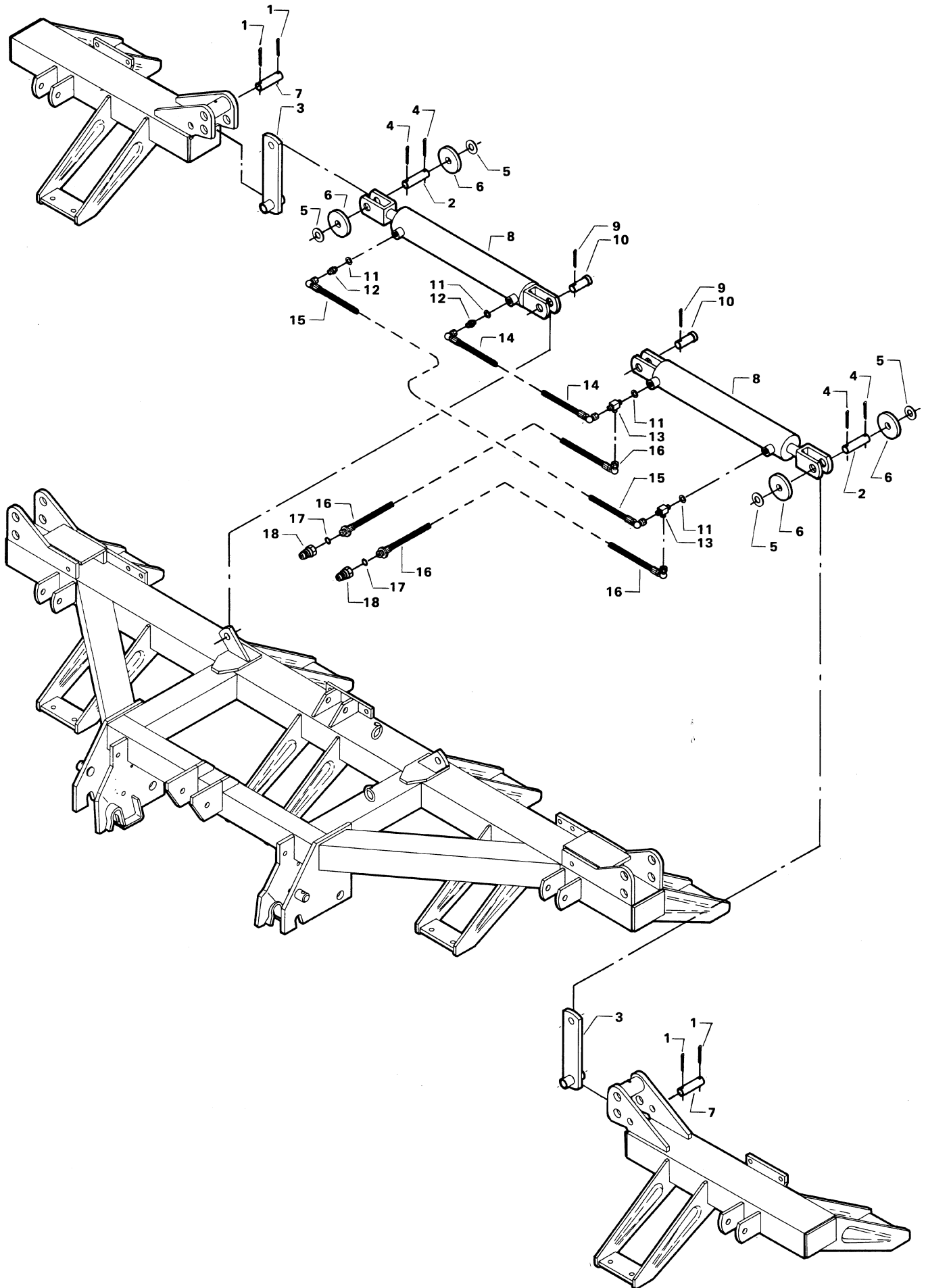


Fig.	Serial no.	Part no.	Pieces	Notes
1		100 333 008	4	Split pin $\varnothing 8 \times 40$ mm $\varnothing 25 \times 99$ mm
2		105 021 200	2	
3		105 185 087	2	
4		100 333 008	4	
5		100 381 018	4	
6		105 021 208	4	$\varnothing 25 \times 146$ mm $\varnothing 75 \times 400$ mm Repair kit for $\varnothing 75 \times 400$ mm Split pin $\varnothing 8 \times 40$ mm
7		101 200 664	2	
8		101 000 310	2	
Cpl: 9		101 000 791	1	
		100 333 008	2	
10		101 000 786	2	$\varnothing 24 \times 78$ mm 1/4" packingring 1/4" - 1/4" hexagon nipple 1/4" T-piece 1/4" x 1460 mm
11		100 413 042	4	
12		100 420 030	2	
13		100 420 031	2	
14		101 200 200	1	
15		101 200 201	1	1/4" x 2270 mm 2770 mm $\varnothing 17.86 \times 2,62$ mm B5602 - 8 - 10
16		101 110 113	2	
17		100 413 047	2	
18		100 420 042	2	

