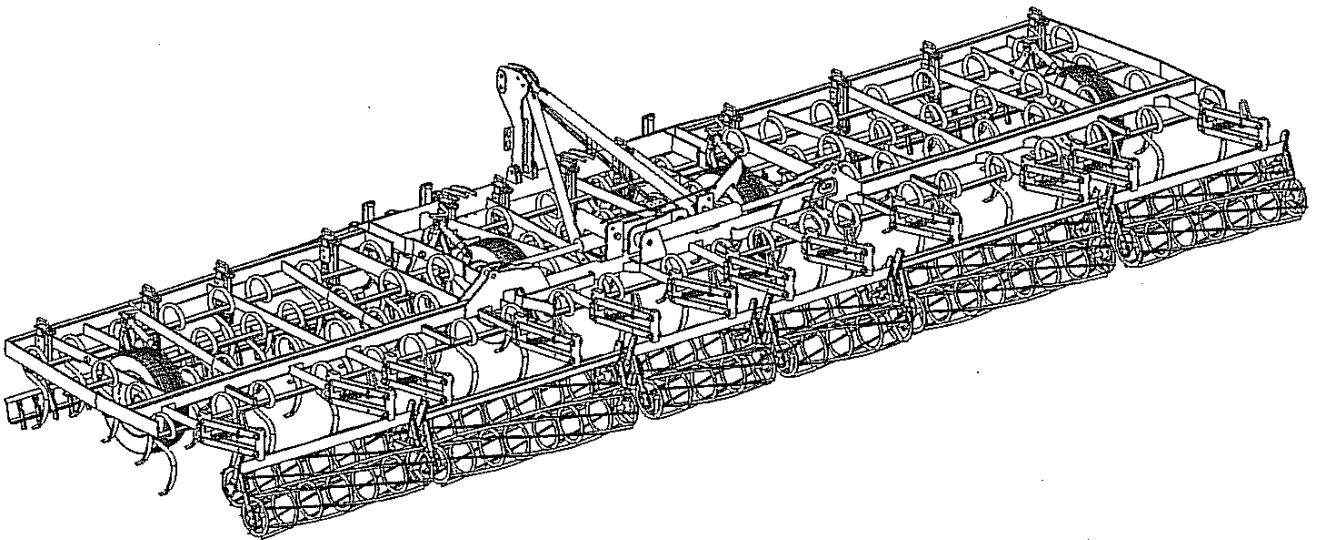


VIBRO MASTER 2500



Directions for use

Contents

Introduction	3
Identification	3
Explanation of symbols	4
Safety	5
General safety advice	5
Coupling and uncoupling.....	6
Three point hitch or linkage.....	6
Operation	6
Transportation by road/transport	7
Before driving	7
During transportation.....	7
After transportation.....	7
Maintenance	8
Safety decals.....	11
Technical data and dimensions	11
Lifting points	12
Operation	13
Coupling	13
Uncoupling	14
Adjustment of top link.....	14
Folding and unfolding.....	15
Preparing for road transport	16
Adjustment and use of Vibro Master 2500	16
Adjustment of the cultivator working depth	16
Adjustment of the level board.....	17
Adjustment of the rear rollers (parallelogram)	18
Adjustment of the long finger rear harrow	19
Turning.....	20
Reversing	20
Maintenance	21
General	21
Tyre pressure	21
Lubrication.....	21
Warehousing and storage	23

Introduction

Congratulation with your new KONGSKILDE Vibro Master 2500!

The KONGSKILDE Vibro Master 2500 is a seedbed cultivator, based on the well known vibrating KONGSKILDE tines.

Vibro Master 2500 is a fully mounted cultivator.

Vibro Master 2500 is mainly designed for the seedbed preparation before seeding. Vibro Master 2500 can be equipped according to the specific demands with different types of tines, levelling board and rear implements.

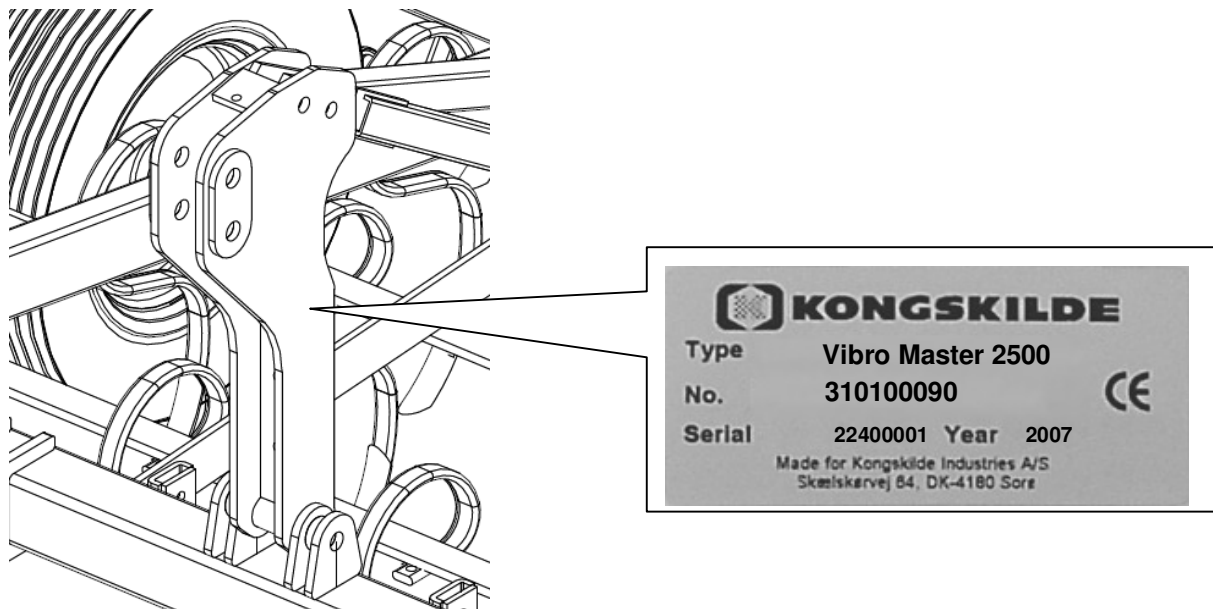
In order to obtain good weight distribution on the tractor, it is recommended always to use adequate front weights on the tractor.

In order to get the full benefit from your new cultivator, Kongskilde Industries A/S recommends to read this users manual, before taking the cultivator in use.

Kongskilde Industries A/S is convinced that you will benefit from your new Vibro Master 2500!

Identification

The specifications of the Vibro Master 2500 can be found in the type plate. This is located on the left side of the head stock, as shown on the below drawing.



Please note the specifications from the type plate:










Type: _____ Name of implement.
 No.: _____ EDP identification number.
 Serial: _____ The serial number for the specific implement.

For any queries regarding Vibro Master 2500 and for ordering spare parts, please quote the above specifications.

The numbers for the spare parts can be found in the spare parts list supplied along with this users manual.

Explanation of symbols

The symbols given in this manual will shorten the text and simplify working with the document. Please study carefully all symbols and their meaning prior to operation.

	Warning	Important note
	Visual inspection	Visual inspection, inspection of condition
	Setting	Check and adjust measures and settings
	Lubricate	Lubricate or grease parts of machine
	Securing	Adjust securings (bolts, guards, rings)
	Easy servicing	Facilitating work
	Observe direction of mounting	For these parts a wrong direction of mounting might be possible
	Recycling	Special operating elements are to be recycled
	Protection of environment	Follow local prescriptions for environmental protection

Safety



General safety advice

- Before commissioning the Vibro Master 2500 read the operating instructions and safety advice. It is mandatory to stick to the safety advice and the warnings stated in the manual. The manufacturer declines any responsibility for accidents and damages to the Vibro Master 2500 resulting from failure to apply safety advice.
- The Vibro Master 2500 should only be used, maintained and repaired by persons, who are familiar with the safety advice and who are informed about the dangers.
- General safety advice and the regulations for the prevention of accidents must be observed.
- The safety instructions must be passed on to other users.
- Use the implement only for soil preparation in farming.

Coupling and uncoupling

- Be careful when coupling or uncoupling implements to and from the tractor. Do not stand between tractor and the Vibro Master 2500, when the tractor is moving.
- Fasten the implement only at the provided points.
- Check and attach transport equipment, for example lighting equipment, warnings and possibly safety equipment.
- Observe the tractor's operating instructions.
- Use original and correct coupling parts.

Three-point hitch or linkage

- The attachment category for the three-point hitch on the tractor and the implement has to match properly, or the appropriate adjustments must be made.
- Before coupling, check all linkage parts for cracks, missing components, loose bolts and nuts etc. Make sure the implement will not disconnect by accident during fieldwork or transport.
- While the implement, when mounted in the three-point hitch, is in transport position, ensure sufficient locking at the side of the three-point linkage.

Operation

- Before each use, check the implement and the tractor as to their road and operational safety.
- Before starting work, familiarise yourself with all facilities and operating elements. It is too late to do so during work activities.
- Examine work surface for hidden obstacles, which could pose a risk (For example under-ground cables, pipes).
- Adjustments should only be made on the implement, when it is completely parked on the ground in unfolded position and when the engine of the tractor is switched off. Remove ignition key and apply hand brake.
- Wear tightly fitting working clothes. Avoid loose clothes, which could be caught in movable parts.
- Wear strong shoes or preferably safety shoes.
- Unauthorised persons are not allowed to stay in the working area during work. No work is to be carried out, if there are unauthorised persons, especially children, near the Vibro Master 2500 or in the danger zone of foldable parts without keeping a safe distance.
- It is prohibited to allow any person to ride on the Vibro Master 2500.
- Never work diagonally to inclines or slopes, where there is a risk that the tractor can tilt.

Transportation by road/transport

- When using public traffic routes, observe the regulations specific to the particular country including the local maximum transportation width.
- The attachment of implements should not exceed the admissible total weight, the admissible axle load and the weight-bearing capacity of the tractor tyres and the capacity of the lift.
- The tractor must be suitable for the Vibro Master 2500.
- To ensure the ability to steer, the front axle load should always amount to at least 20% of the total weight of the tractor incl. cultivator.
- Hitch up the machine as far as it is necessary to ensure a safe road transport.
- In order not to exceed 4,0 m transport height of the Vibro Master 2500 8,5 m version, the ground clearance should not exceed 30 cm.

Attention!

The driving behaviour of the tractor changes.

Suit your driving according to the conditions of the street.

Pay special attention to the centre of gravity of hydraulic foldable machines.

Do not exceed a speed of 25 km/h when transporting Vibro Master 2500 on the road.

Before driving

- Observe admissible axle loads, total weights and transport measurements.
- For transportation on any public road, track or place, the legal transport width according to local rules should not be exceeded. If the transport width is exceeded, a special authorisation may be obtained under certain conditions from the appropriate authorities.
- Road behaviour, performance, ability to steer and brake are influenced by attached or coupled implements and ballast weights. Ensure that there is sufficient ability to steer and brake.
- Before starting off the Vibro Master 2500, check the immediate area. Pay special attention to children and that there is sufficient visibility.
- For road transportation with the implement raised, lock the control valves of the tractor.
- Make sure that wing security locks (Foldable version) have correctly locked.

NOTE:

The security locking devices prevents from accidental unfolding (Foldable version) in case of a defect in the hydraulic hoses. However, it may not prevent unintentional unfolding or lowering if the control device is operated by mistake.

During transportation

- Riding on the implement during work and transport is not permitted.
- Never leave the driver's cab during transportation.
- When driving around corners and bends take the extra width and the inertia of the Vibro Master 2500 as well as the high centre of gravity of the folded frame (Foldable version) into consideration.

After transportation

- Before leaving the tractor, set the implement down onto the ground, switch engine off, remove ignition key and apply hand brake.
- No one should stand between tractor and implement without securing the vehicle by the hand brake and/or stop chocks.
- Foldable frame parts (Foldable version) should be completely unfolded. The implement must only be parked with unfolded frame parts.

Maintenance

- Repairs, maintenance and cleaning work as well as the solving of functional faults should principally only be carried out, while the engine is switched off. Remove ignition key and apply hand brake.
- For maintenance on a raised up implement, always secure the Vibro Master 2500 on suitable stands.
- Do not ever go under the Vibro Master 2500 unless secured on suitable stands.
- Never attempt to disconnect hydraulic connections while system is pressurised.
- When changing work tools, which have cutting edges, use suitable tools and gloves.
- Spare parts should correspond at least to the technical requirements defined by the manufacturer. Use only original parts.

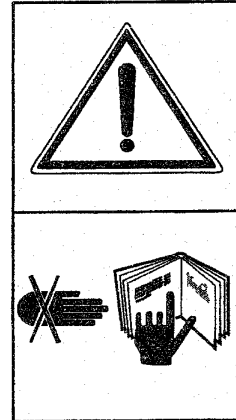
Safety decals

1

Instructions

Read and observe the operating instructions. Before commissioning the Vibro Master 2500, read and observe both operating instructions and safety advice.

Part no.: 71 000 187 250

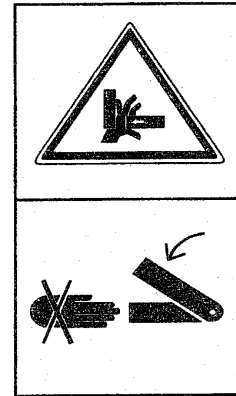


2

Danger of crushing

Never reach into the danger zone, as long as there could be moving parts. (Foldable version only)

Part no.: 71 000 629 549

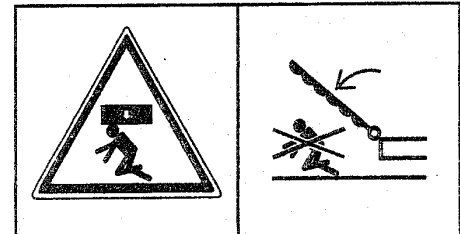


3

Moving Parts

Do not stand near foldable frame of the Vibro Master 2500. (Foldable version only)

Part no.: 71 000 629 546

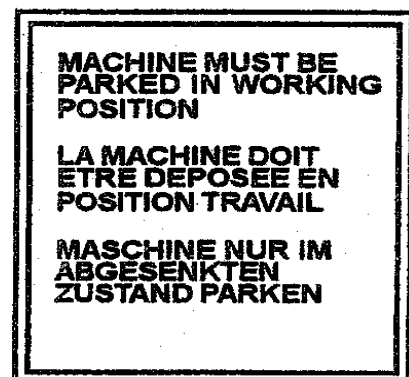


4

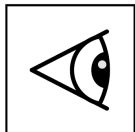
Park in lowered position.

The Vibro Master 2500 must ONLY be parked in working position.

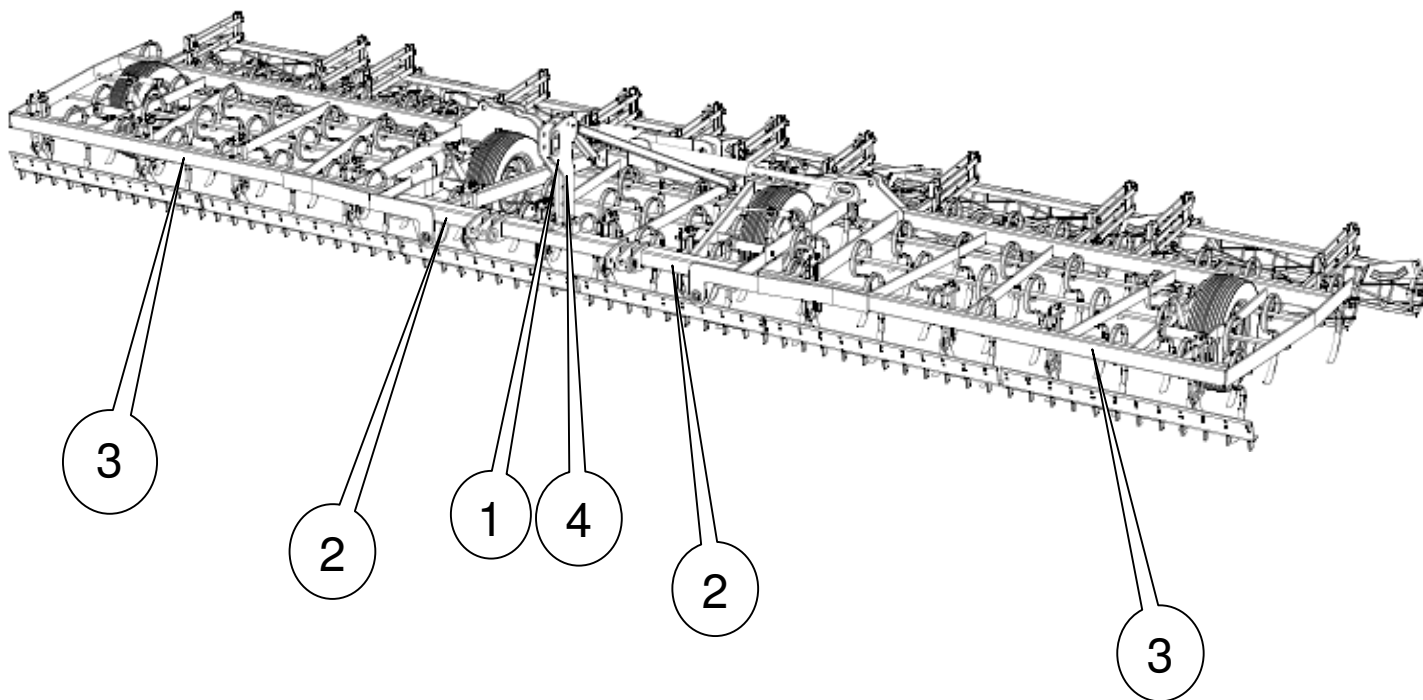
Part no.: 71 000 646 708



Always keep safety decals in clean and readable condition!



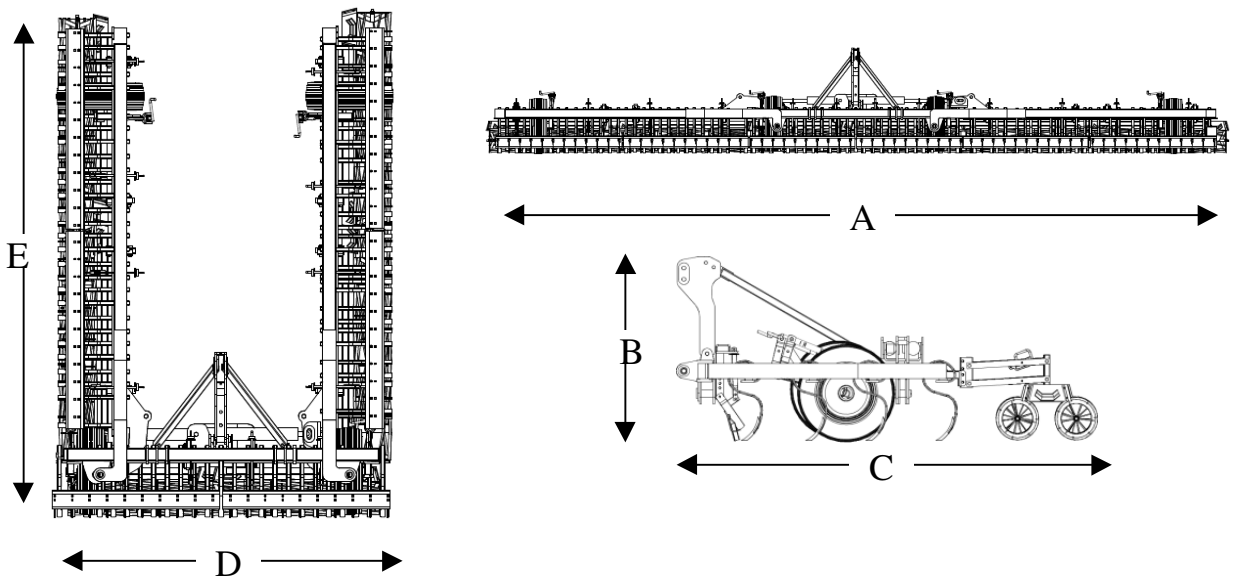
Request substitutes for damaged or missing decals from the dealer and place these at the intended positions!



Technical data and dimensions

Type	VM 2565	VM 2575	VM 2585
Working width	6,5 m	7,5 m	8,5 m
Transport width	2,5 m	2,5 m	2,5 m
Transport height	3,0 m	3,5 m	4,0 m *)
Hydr. folding	YES	YES	YES
Weights, kg			
Cultivator	1375	1525	1675
Level board	155	170	186
Double roller (C/R)	305	335	365
Hydraulic demands	1 double acting outlet required		
Horsepower demand, HP	130 - 180	145 - 200	160 – 220
Number of tines, pcs			
Vibro S (10 cm tine space)	65	75	85
Vibro Super-Q (8 cm tine space)	81	93	105
Vibro Super-S (10 cm tine space)	65	75	85
VTM (15 cm tine space)	43	50	56
Dimensions, in mm			
A	6500	7500	8500
B	1225	1225	1225
C	3200	3200	3200
D	2500	2500	2500
E	3700	3200	2700

*) ground clearance max. 30 cm



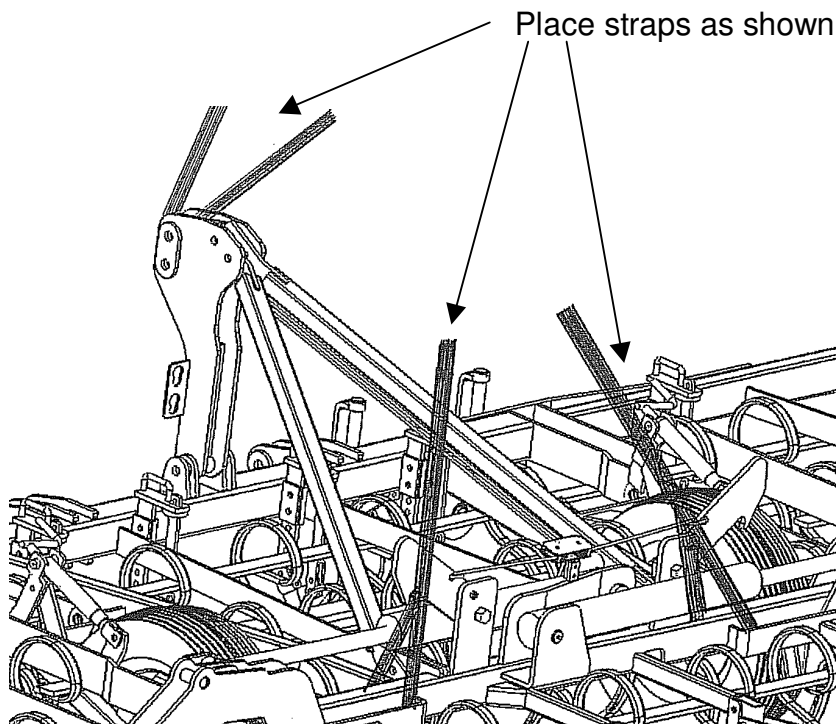
Lifting points

When the Vibro Master should be lifted up or down from a truck by a crane or a forklift the following lifting recommendations must be followed.

- Always use a crane or a forklift with the sufficient strength and ballast to carry the weight of the Vibro Master 2500.
- Always move the cultivator in unfolded position.
- Do not stay under the cultivator when lifting

Lifting the Vibro Master 2500 (with and without rear rollers connected) :

- Fasten one connection in the pin for the top link connection
- Fasten 2 connections to the rear connection points



Operation

Coupling

Attention!

- While hitching up the Vibro Master 2500, stop the tractor and secure it from rolling.
- Ensure that during coupling of the Vibro Master 2500, no one is standing between the tractor and the implement. No one should stand in the operational range of the implement.

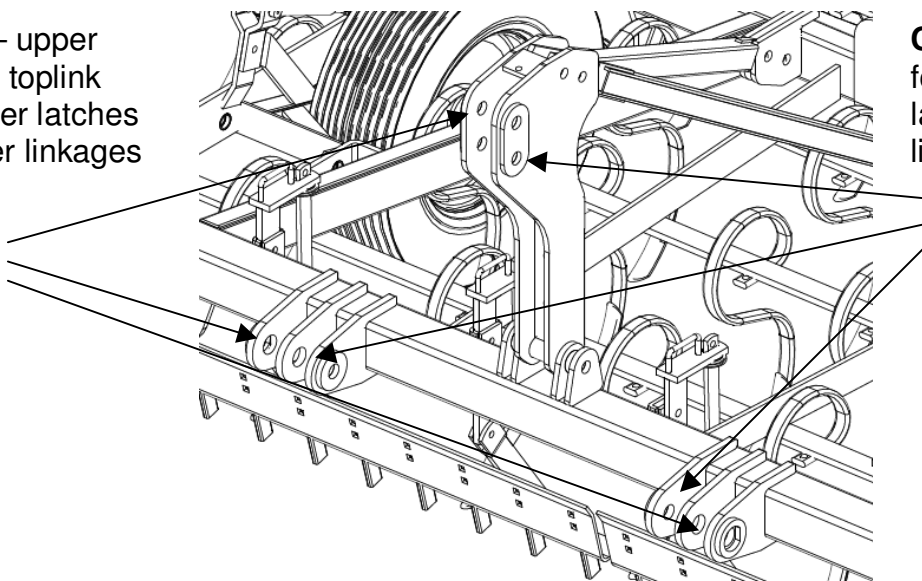
The three-point linkage category of the Vibro Master 2500 and tractor must match each other. Vibro Master 2500 can be connected by category 2 or 3.

If they do not correspond, the three-point linkage on the tractor must be adjusted.

Make sure that the Vibro Master 2500 is parked on solid ground and secure it against rolling.

- Fit ball bushes in correct category over the pins for the lower links and the head stock connections
- Lower the lower links of the tractor and drive backward until the lower link hooks are under the ball bushes
- Raise the lift until the lower link hooks are hooked in.
- Put in the top link
- Secure all connections against unintentional opening
- Make sure the hydraulic fittings are clean and connect the hydraulic hoses.
- Connect light equipment (Optional)
- Control no oil is leaking from hydraulic connections
- Control all functions work correctly.

Cat. 3 – upper hole for toplink and outer latches for lower linkages



Cat. 2 – lower hole for toplink and inner latches for lower linkages

Uncoupling

- Unfold the Vibro Master 2500
- Park the Vibro Master 2500 on levelled, solid ground.
- Remove the oil pressure from the connections
- Uncouple the hydraulic hoses from the tractor
- Disconnect the light equipment (Optional)
- Remove top link from the Vibro Master 2500
- Release the lower linkage hooks
- Lower the lower links until free of the ball bushes
- Drive tractor slowly forwards.

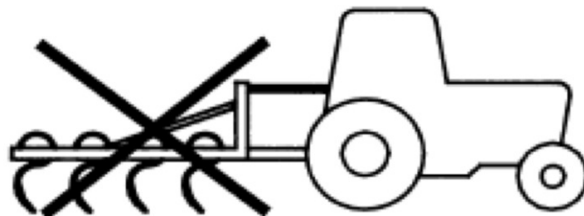
Adjustment of top link

The cultivator frame must stay horizontal during work to make both the front and the rear row of tines work at the same depth. This is adjusted by means of the tractor's top link. A short top link raises the rear row of tines whereas a lengthened top link lowers the rear row of tines.

When the cultivator works in the field the top link must be lower at the tractor end than at the head stock of the cultivator.



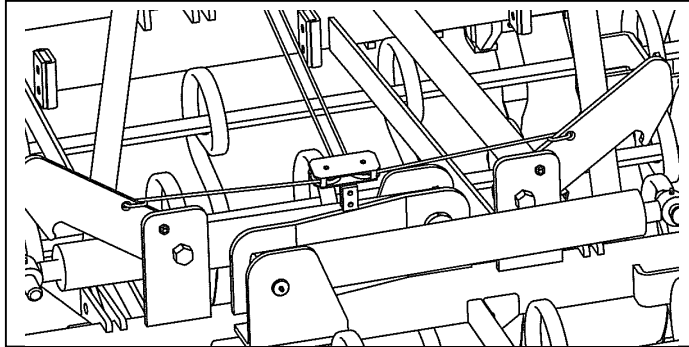
The top link must never be horizontal or parallel with the lower linkages, as the cultivator will run unsteadily and make steering of the tractor difficult.



Folding and unfolding



When folding or unfolding make sure that no one are in the working range of the implement



- Lift the implement off the ground, high enough to secure it does not hit during folding or unfolding.

Unfolding:

- Open the security hooks by pulling the 2 strings attached to the wing locks. If the tractor hydraulic is slightly leaking, then there may be tension on the security hooks. In this case operate the tractors hydraulic valve as to fold the implement and then pull the strings.
- Use the hydraulics to unfold the Vibro Master 2500.

Folding:

- Make sure the strings for the security hooks are loose, so the security hooks are in the lower position ready to lock the wings when folded up
- Use the hydraulics to fold the Vibro Master 2500.



- Make sure the security hooks have locked the frames in upright position

Preparing for Road transport

- Make sure the string for the security hooks are loose, so the hooks are in the lower position
- Lift the implement and fold as described
- Make sure the security hooks have locked the frames in upright position
- To give a lower point of gravity, and thereby a more stabile transport, it is recommended to lower the implement to a lower level, but keeping sufficient distance to road during transport.
- Secure that the implement is safe, that nothing will fall off, including big lumps of soil, during transport.
- Check any light kits and warning plates that these are working and clean.

Adjustment and use of the Vibro Master 2500

The Vibro Master 2500 can be equipped with 4 different types of tines. See table below for recommended settings and use.

Type of tine	Working depth	Working speed	Tine distance	Conditions
Vibro S (32x10,5 mm)	4 – 10 cm	8 – 12 km/h	10 cm	Seedbed
Vibro Super Q (32x12,4 mm)	4 – 10 cm	8 – 12 km/h	8 cm	Seedbed
Vibro Super S (45x11 mm)	4 – 12 cm	8 – 12 km/h	10 cm	Seedbed
VTM*) (50x10,8 mm)	4 – 12 cm	8 – 12 km/h	15 cm	Seedbed with some residues

*) As shares for VTM can be used 2 ½" goose foot (101000551) and 4" sweep (101000552) for shallow tillage.

Local conditions such as soil type, weather conditions, stones, amount of residues etc. must always be taken into account when setting the cultivator.

Adjustment of the working depth (cultivator)

The cultivator must be lifted for adjusting the working depth.

The working depth is set by means of the wheel spindles on each of the 4 rubber wheels. On the inner tube of the spindles there are marks, which indicates the position of the spindle.

The depth wheels on the centre section must be set deeper than the depth wheels on the wings, as they are running in the tracks from the tractor. As a general rule can be used :

Depth wheels on the centre section must be set 1 scale-point deeper than the wings.



After adjustment to the correct depth remember to flip over the locking devices on the handles, to prevent the handles from turning during work.

Adjustment of the level board

Angle:

The level board has in general 2 different ways of working:

- Crushing (upper hole) – the board is backward angled and clods are crushed under the board
- Levelling – (lower hole) the board is more vertical positioned and it has a better ability to level out the soil surface.

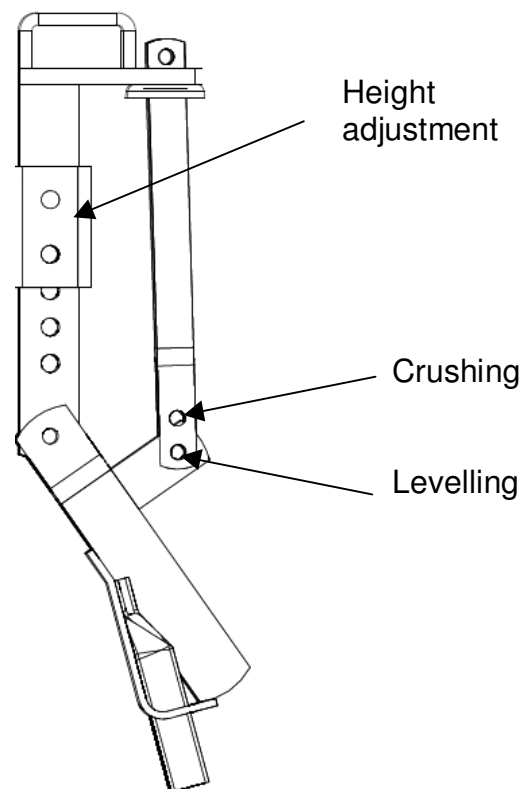
To change from crushing to levelling mode:

- Remove the bolts
- Change the angle of the level board to match the upper/lower hole
- Insert the bolts and tighten again

Height:

The level board sections are hung up in 2 brackets. From here the height can be adjusted.

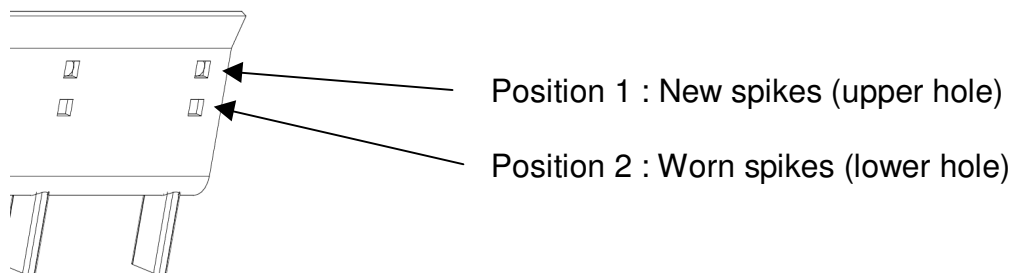
- Pull out the ring clip of both pins
- Remove the pins
- Adjust to the wanted height
- Insert pins and ring clips again



Adjustment of spikes on the level board:

The spikes on the level board are possible to mount in 2 height positions. From the factory the spikes are mounted in the upper hole. When the spikes get worn they must be moved to the lower hole.

When worn out – replace with original Kongskilde spikes.



The level board is made for crushing and levelling – not for dozing big amounts of soil!

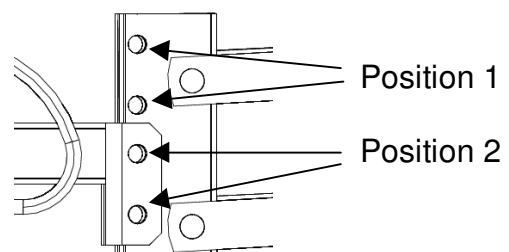
Adjustment of the rear rollers (parallelogram)

The rear rollers are attached to the cultivator by a parallel attachment system, which follows the soil during work and ensures optimal reconsolidating.

Attachment to the cultivator:

The rear harrow attachment must be connected to the cultivator. There are 2 possible connections, which depends on the type of tines used on the cultivator:

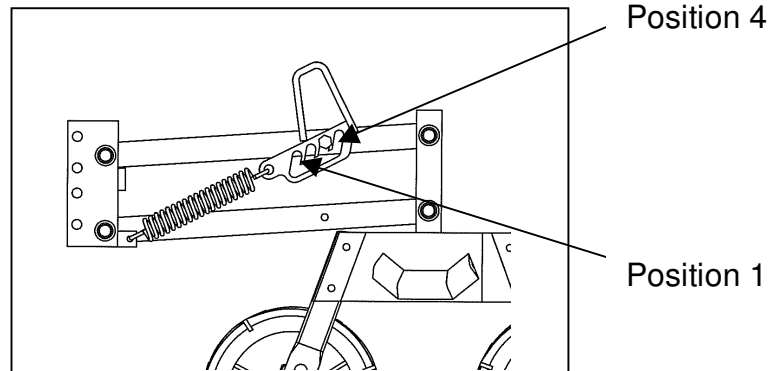
Type of tines	Position
Vibro S	2 (the 2 lower holes)
Vibro Super Q	2 (the 2 lower holes)
Vibro Super S	2 (the 2 lower holes)
VTM	1 (the 2 upper holes)



If it is desired to work without the rear rollers the complete roller attachment can be disconnected, by removing the pins in each bracket.

Adjustment of the pressure on the rollers:

The pressure on the rollers can be adjusted by moving the handle for the spring adjustment. There are 4 different positions:



Position 1 : Maximum pressure on the rollers
 Position 4 : Minimum pressure on the rollers

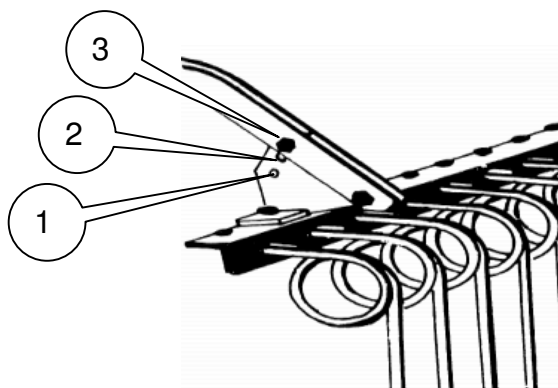
Adjustment of the long finger rear harrow

The long finger rear harrow (FL-VM) can be fitted on the rear of the cultivator to eliminate tracks from the last row of tines, and to level out the surface in general.

Adjustment of tine angle:

The long finger tines can be set in 3 different angles to the ground.

Position	Function
1	Steep angle – max levelling
2	Middle angle – levels out and allows clods and residues to pass
3	Low angle – maximum passage of clods and residues



Turning

Never turn the cultivator, when working in the soil, so sharply that the tines are forced sideways and backwards. It may result in loads far in excess of what the tines are designed for.

Reversing

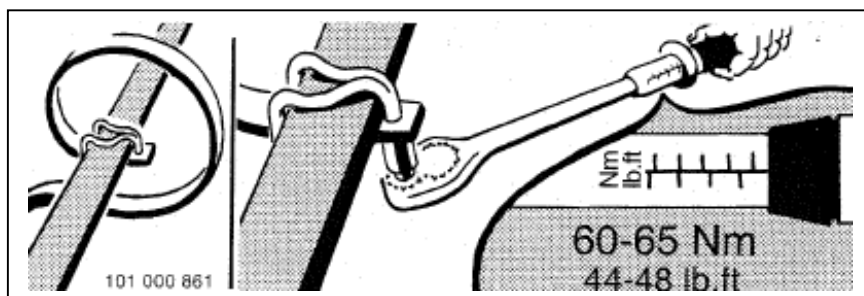
Never reverse with the tines in the soil. The cultivator must be raised to avoid the tines being overloaded, as this can lead to breakage of the tines.

Maintenance

General

The KONGSKILDE Vibro Master 2500 needs very little maintenance:

- After usage clean the machine.
- All nuts and bolts must be checked and tightened after initial 10 working hours and then for every 100 hours. Tighten if necessary.
- If the cultivator tines come loose, the clamp must be re-tightened to a torque of 60 – 65 Nm

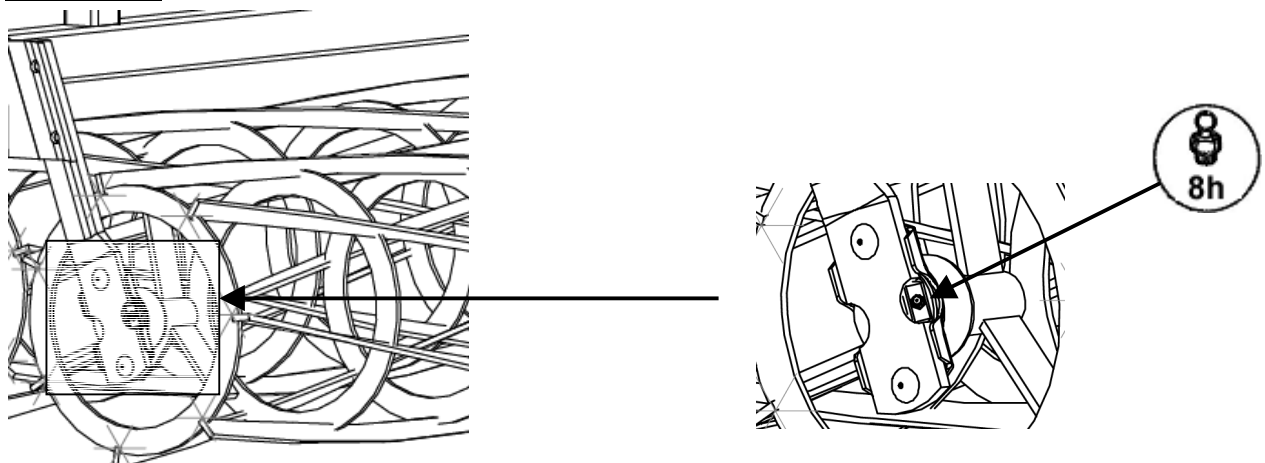


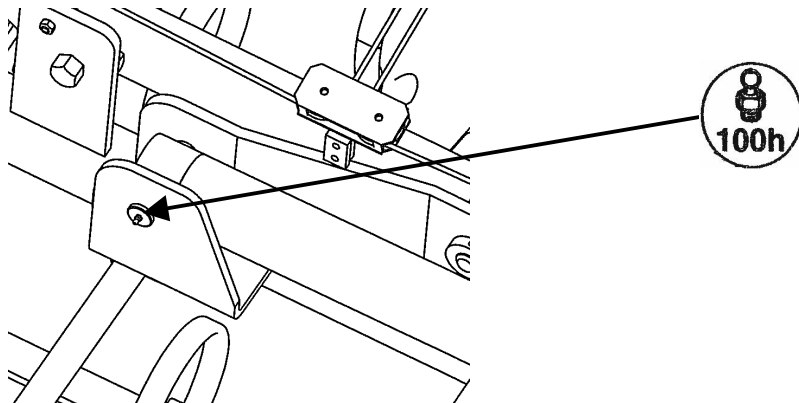
- Grease according to the specifications below.
- Worn and damaged parts must be changed at the earliest possible moment in order to secure correct and safe function.
- Use only original KONGSKILDE wearing and spare parts.

Tyre pressure

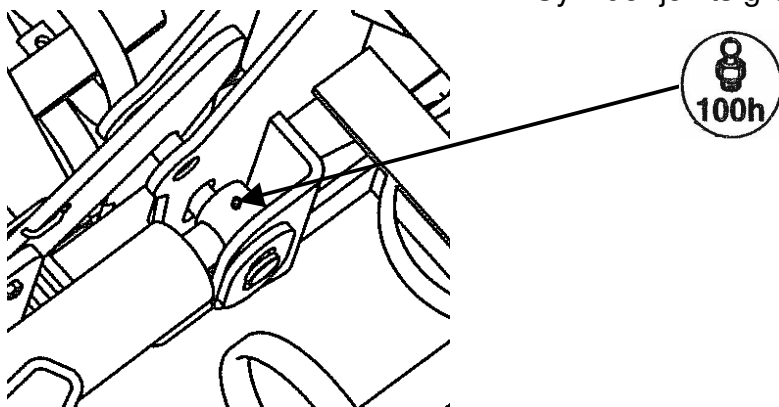
Type of tyre	Recommended tyre pressure
24X8.00 – 14.5	3,2 bar / (46 PSI)

Lubrication

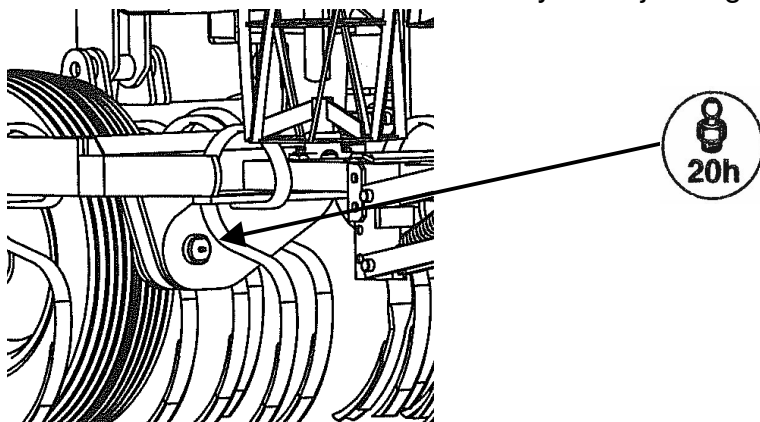




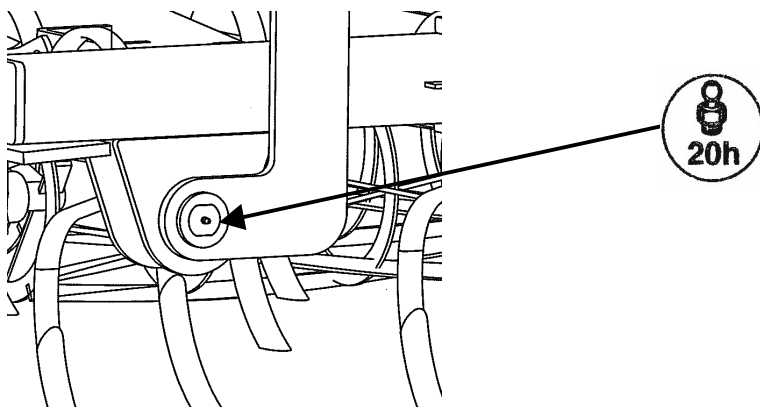
Cylinder joints grease for every 100 hrs.



Cylinder joints grease for every 100 hrs.

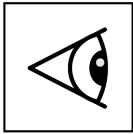


Folding joints grease for every 20 hrs.



Folding joints grease for every 20 hrs.

Hydraulic hoses and couplings



Before every use of the Vibro Master 2500, check the hydraulic hoses and connections. If there is any sign of breakage emerging, make sure to change the parts in question.



Note that if the hydraulic fails during folding or unfolding, then the wings may immediately unfold.

Warehousing and storage



For longer operation pauses, store the machine in safe place-not accessible for children.



Prior to longer operation pauses (winter) and prior to first operation all lubrication points must be lubricated and pins and adjusting devices must be greased.



During longer operation pauses exposed surfaces of tines, scrapers and rollers must be greased in order to prevent the formation of rust. Only use grease, which does not have any polluting impact on the environment.



Order necessary spare parts and wearing parts before the beginning of storage period to avoid delays with the new season starting.

