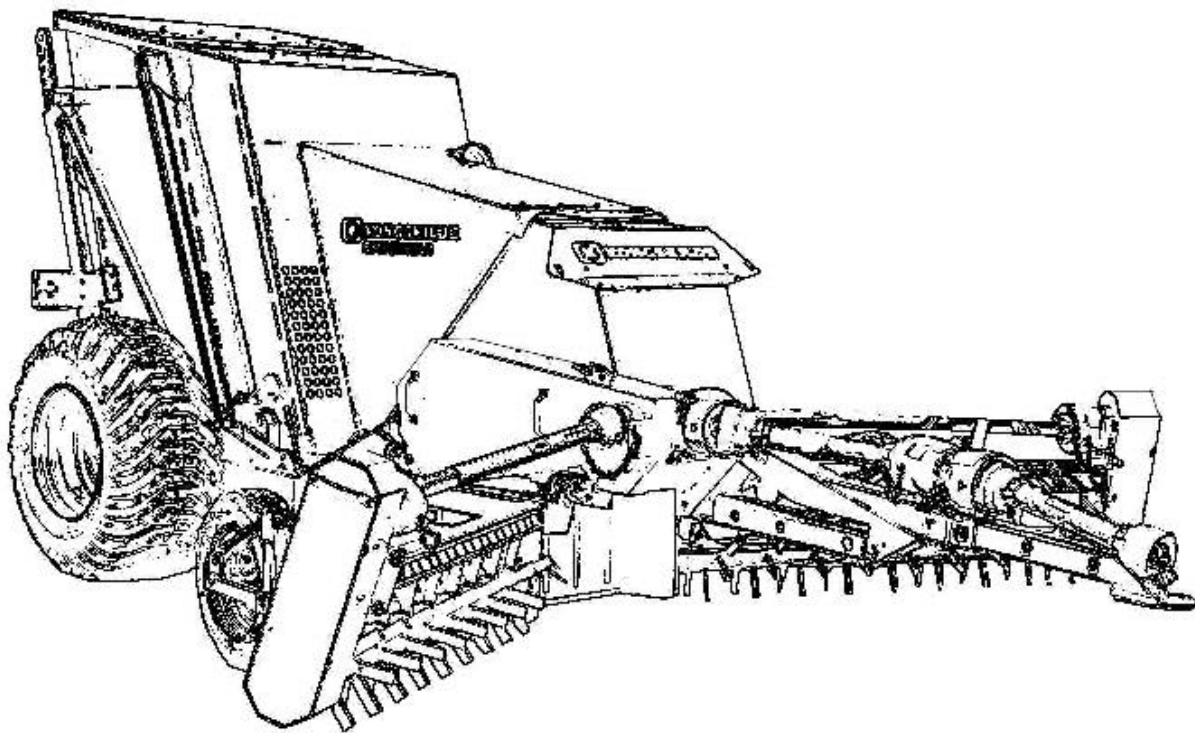


STONEBEAR S



Varaosakirja
Reservdelsbok
Spare parts list
Reservedelsliste
Ersatzteilliste
Onderdelelijst
Liste de pièces de rechange
Listino di pezzi di ricambio

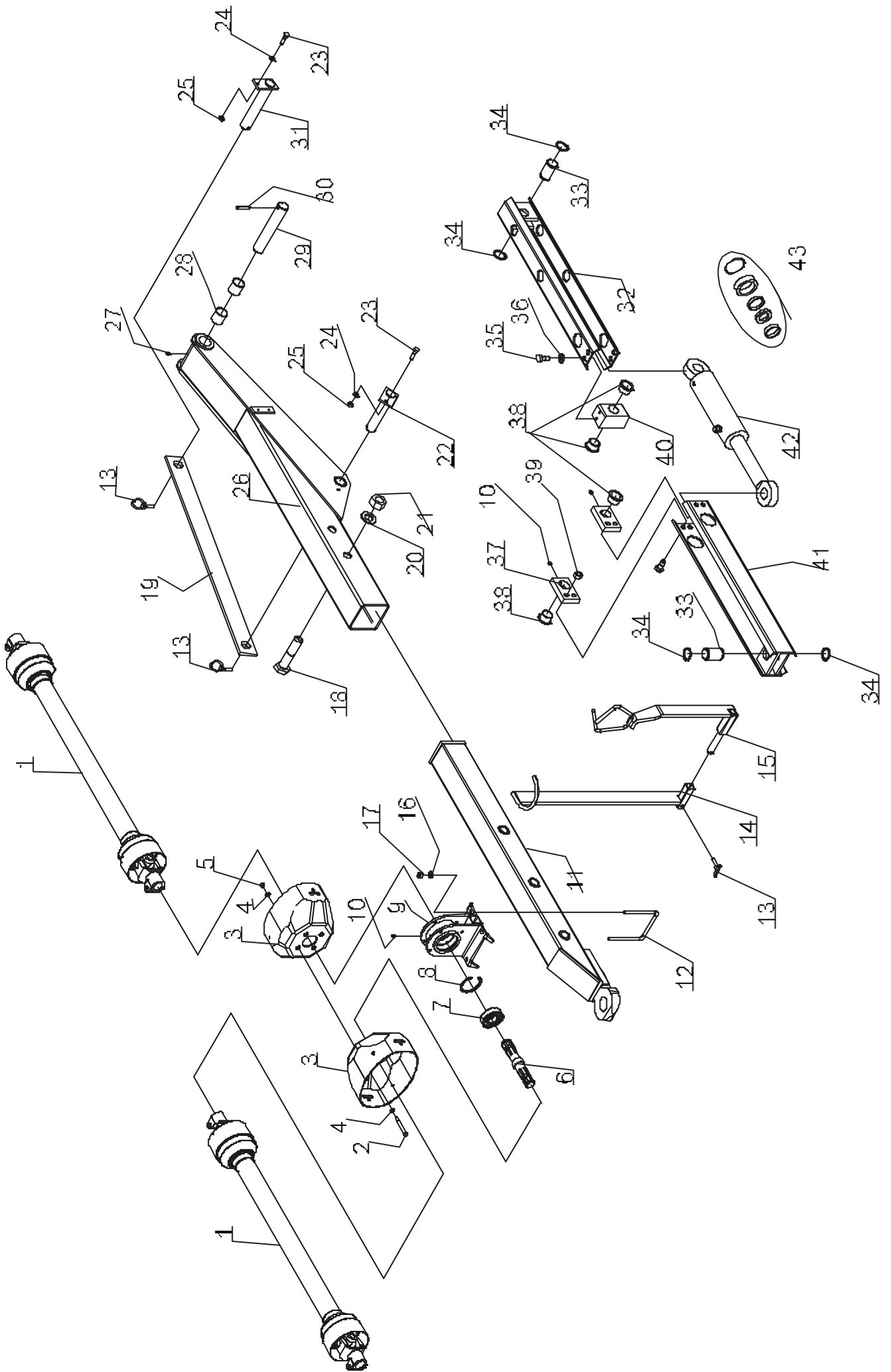


Fig.	Pack	Serial no.	Part no.	Pieces		Notes
				3 000	4 000	
1			500 068 811	2		shaft
2			500 031 464	4		M8*80 hex head
3			500 068 829	2		guard
4			500 163 517	8		M8 washer DIN 440
5			500 057 550	4		M8 lock nut
6			500 068 134	1		
7			500 031 184	2		6207 RS
8			500 086 140	2		J72*2.5 DIN 472
9			500 068 132	1		
10			500 030 263	1		M6 lubrication nipple
11			500 037 153	1		
12			500 068 133	2		U-bolt
13			500 040 150	2		inch pin D9
14			500 068 136	1		
15			500 068 135	1		
16			500 010 462	2		M12 washer
17			500 056 448	2		M12 lock nut
18			500 068 141	1		M30*160 hex head
19			500 068 138	1		
20			500 068 142	1		M30 washer
21			500 089 121	1		M30 lock nut
22			500 068 129	1		
23			500 040 702	2		M10*20 hex head
24			500 010 607	2		M10 washer
25			500 057 379	2		M10 lock nut
26			500 068 122	1		
27			500 010 761	1		M8 lubrication nipple
28			500 087 593	2		GT454040
29			500 068 123	1		
30			500 068 143	1		spring pin d 10*70 DIN 1481
31			500 068 128	1		
32			500 068 125	1		
33			500 068 130	2		
34			500 085 809	4		A40*1.75
35			500 063 135	8		M16*25 hex head
36			500 030 887	4		M16 washer
37			500 068 126	2		
38			500 068 131	4		35/39/50*22 PDE-F
39			500 053 190	4		M16 lock nut
40			500 068 127	1		
41			500 068 124	1		
42			500 680 513	1		
43			500 068 144	1		sealing kit

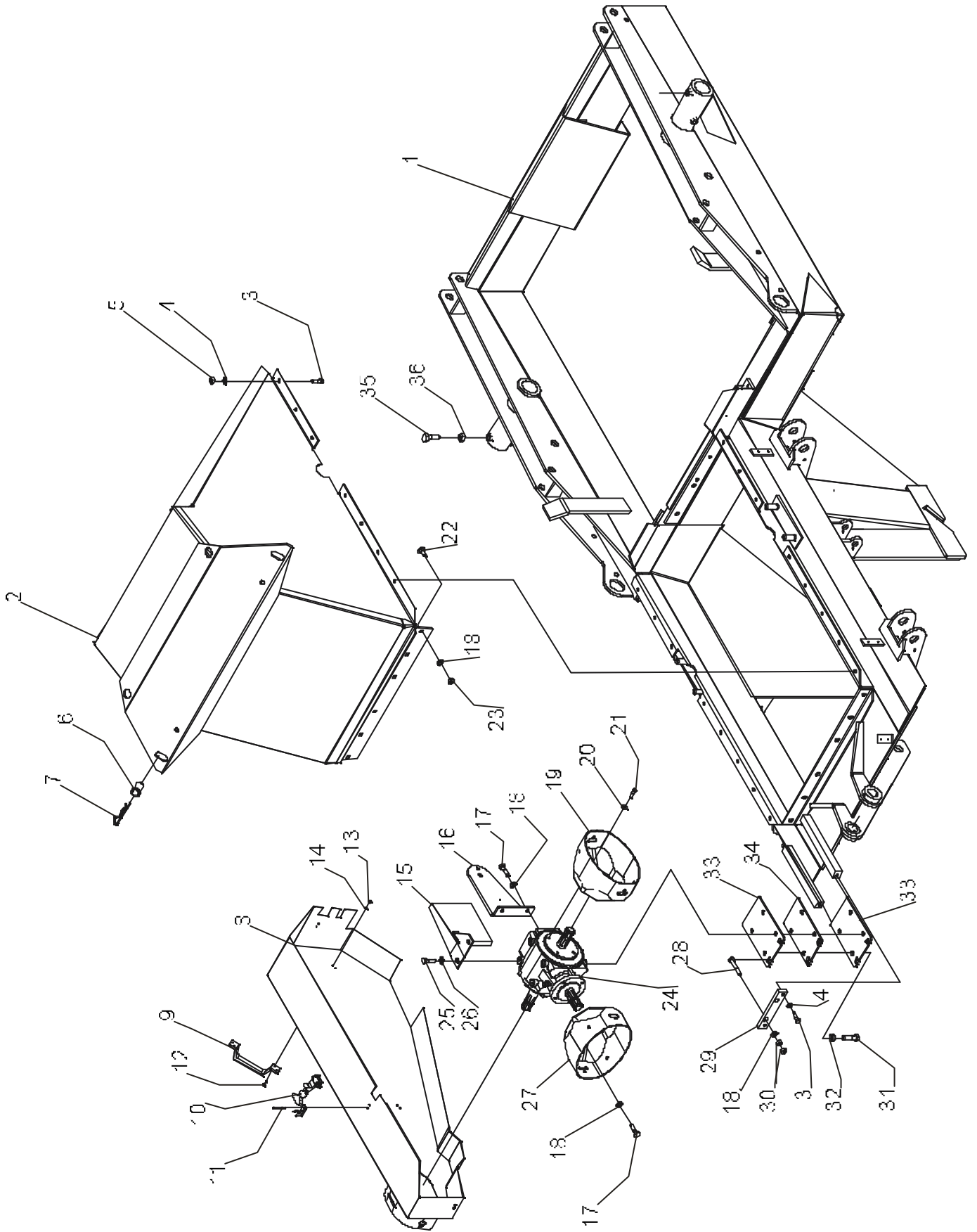
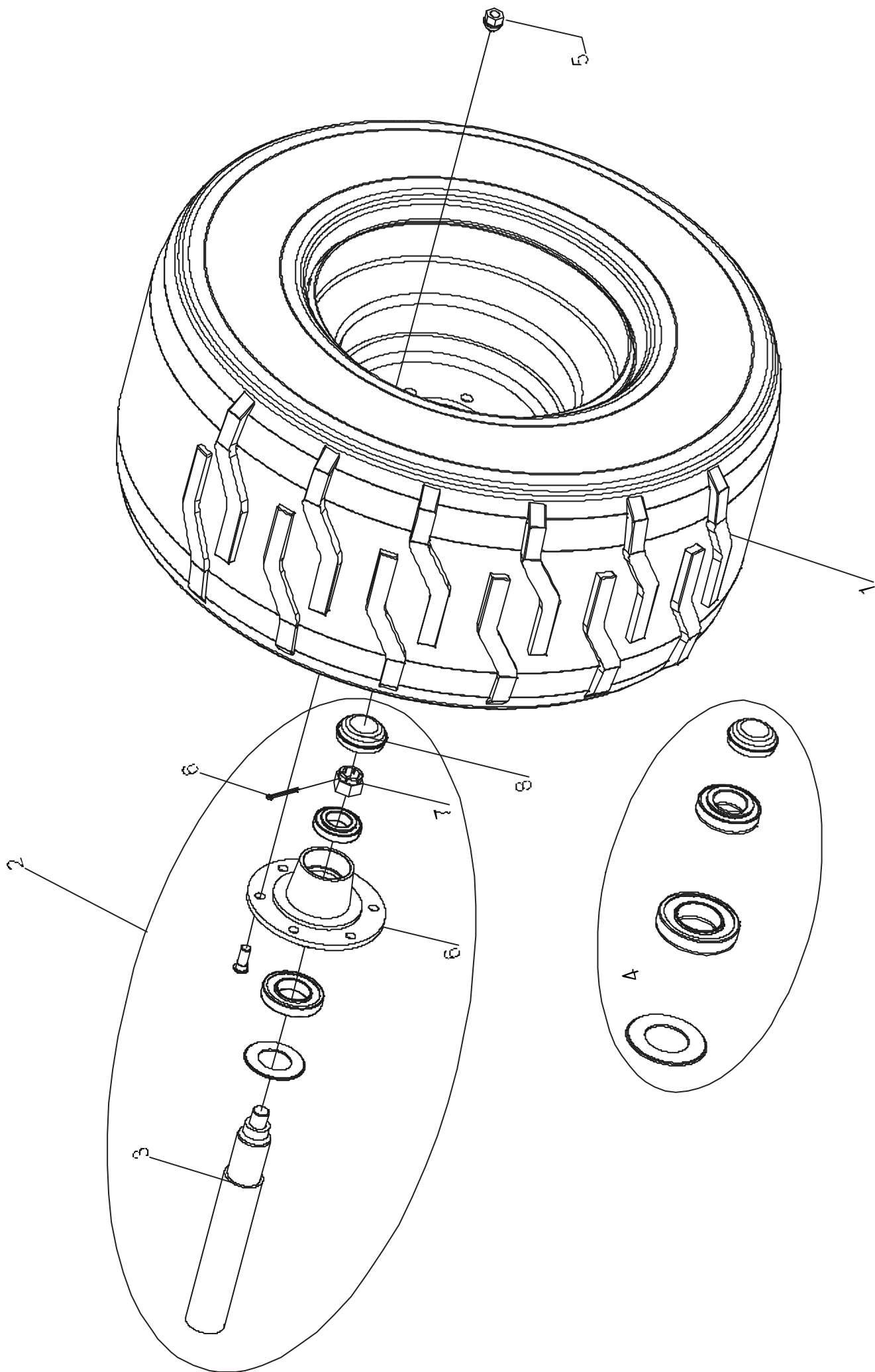


Fig.	Pack	Serial no.	Part no.	Pieces		Notes
				3000	4000	
1			500 068 120	1		frame
2			500 068 121	1		
3			500 030 958	22		M10*25 hex head
4			500 010 607	22		M10 washer
5			500 057 379	22		M10 lock nut
6			500 090 256	2		
7			500 040 929	2		pin D 6*118 DIN 11024
8			500 068 871	1		
9			500 013 239	2		
10			500 087 115	3		
11			500 095 304	12		draw rivet 4.0*14
12			500 030 528	12		M5*16 DIN 965
13			500 063 964	12		M5 lock nut
14				12		M5 washer
15			500 068 873	1		
16			500 068 875	1		
17			500 030 949	6		M12*25 hex head
18			500 010 462	6		M12 washer
19			500 068 829	1		cover
20			500 010 784	4		M8 washer
21			500 053 363	3		M8*20 hex head
22			500 057 229	6		M12*30 lock screw
23			500 056 448	6		M12 lock nut
24			500 680 861	1		COMER T-312A 9.312.780.00
25			500 063 135	2		M16*25 hex head
26			500 030 887	2		M16 washer
27			500 068 872	1		cover
28			500 061 943	2		M12*80 hex head
29			500 068 865	1		
30			500 030 968	4		M12 nut
31			500 089 310	4		M16*40 hex head 12.9
32			500 040 151	4		M16 spring washer
33			500 068 862	2		
34			500 068 864	1		
35			500 059 102	4		
36			500 030 124	4		M16 nut



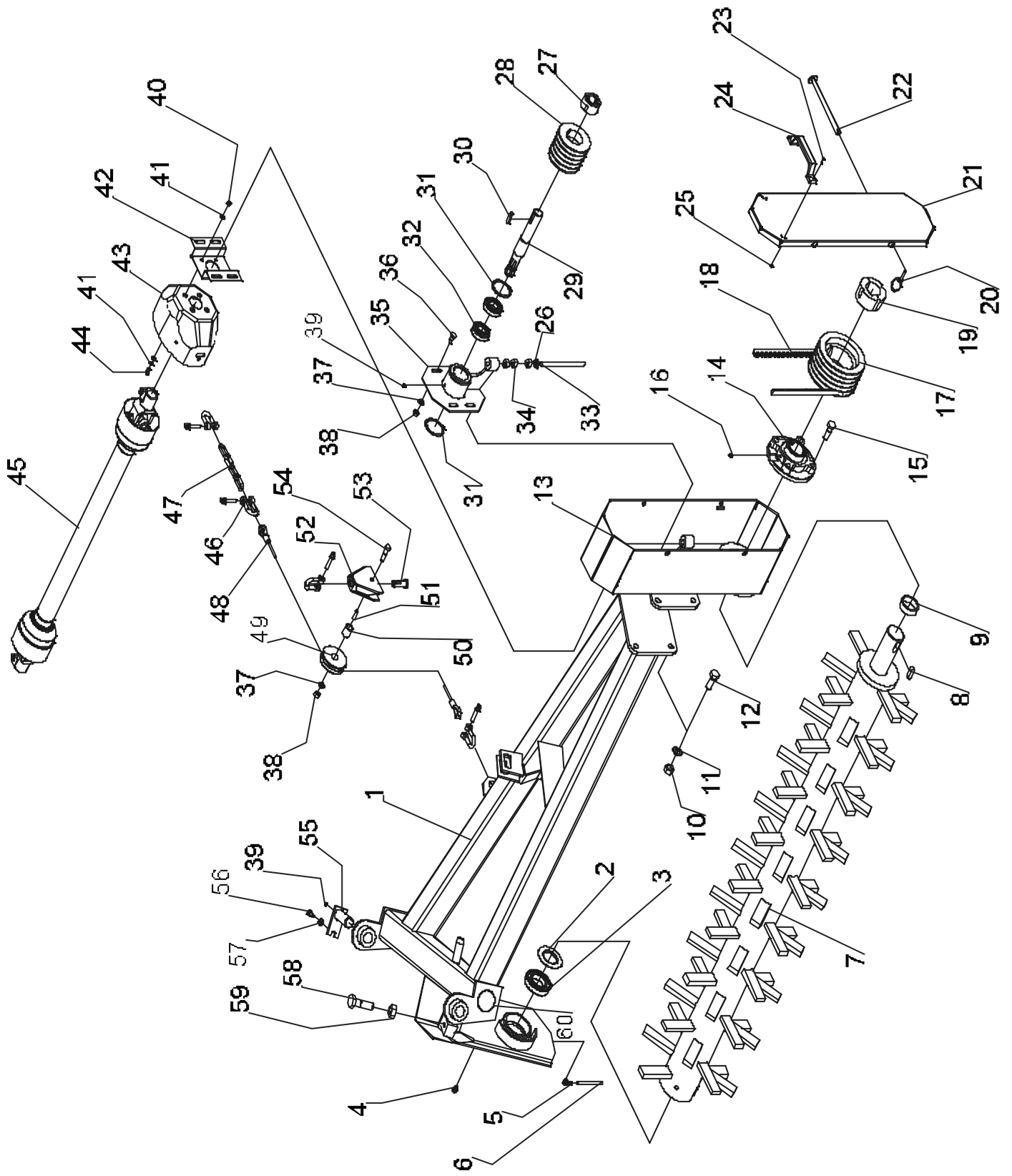
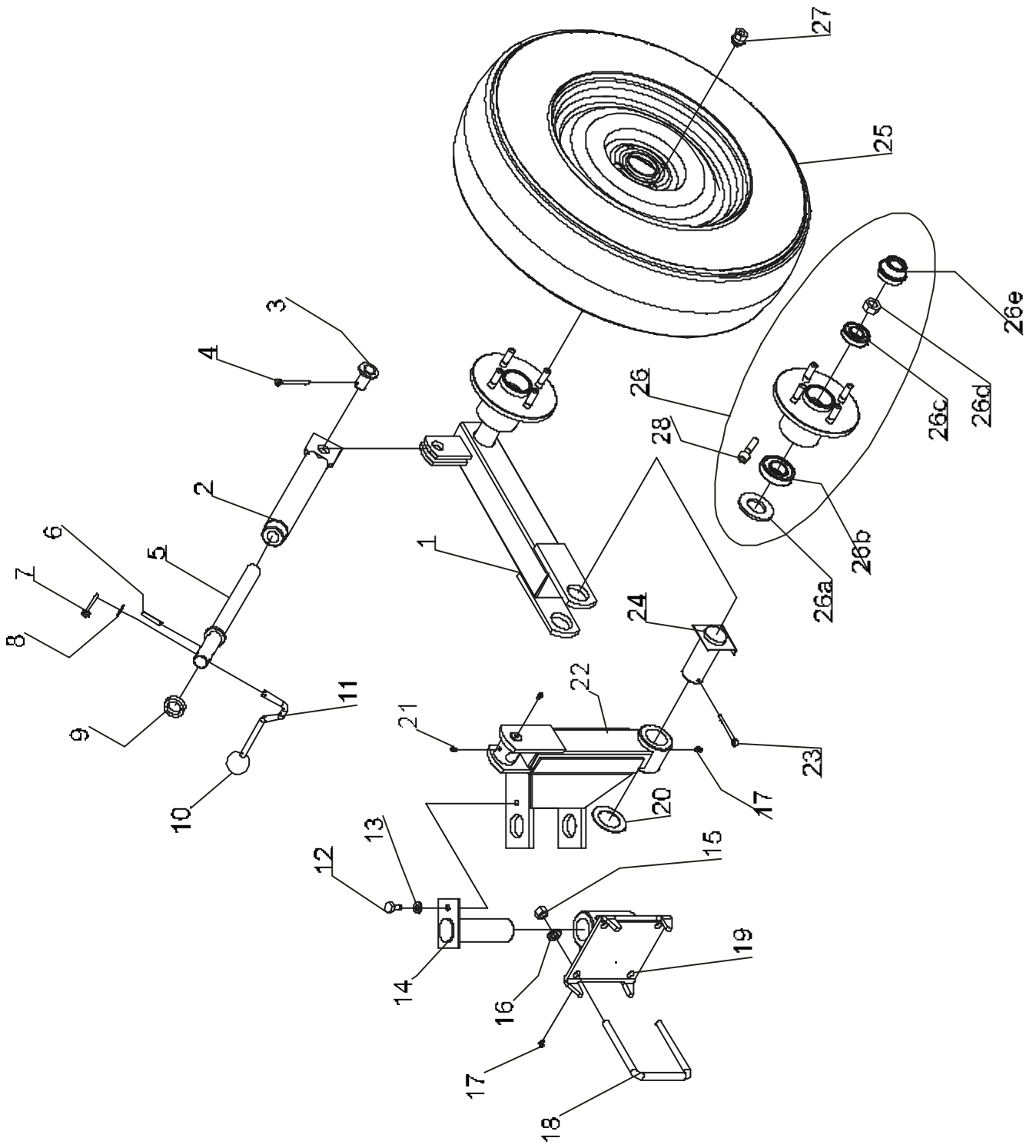


Fig.	Pack	Serial no.	Part no.	Pieces		Notes
				3000	4000	
1			5 00 0 68 247	1		oikea, right, re dht s, höger ,d ro ite
1			5 00 0 68 246	1		vasen, left ,link s, vän ster, gauche
2			5 00 0 68 241	2		
3			5 00 0 68 214	2		2211 RS
4			5 00 0 68 249	2		
5			5 00 0 68 250	2		
6			5 00 0 03 303	2		
7			5 00 0 68 245	1		oikea, right, re dht s, höger ,d ro ite
7			5 00 0 68 217	1		vasen, left ,link s, vän ster, gauche
8				2		key 18* 11-27
9			5 00 0 68 212	2		
10			5 00 0 53 463	8		M20 bck nut
11			5 00 0 53 942	8		M20 wash er
12			5 00 0 68 248	8		M20*50 hex hea d
13			5 00 0 68 203	1		
13			5 00 0 68 217	1		left
14			5 00 0 68 211	2		UC FC 212
15			5 00 0 53 227	8		M16*50 hex hea d
16			5 00 0 30 263	2		lubricat ion nipple M6
17			5 00 0 68 869	2		SPB DM=1 90-5/3020
18			5 00 0 68 209	10		XPB1600
19			5 00 0 68 842	2		D6 0/30 20
20			5 00 0 40 150	4		linch pin D9
21			5 00 0 68 221	2		
22			5 00 0 68 240	4		
23			5 00 0 30 528	8		M5*16 DI N 965
24			5 00 0 13 239	2		
25			5 00 0 63 964	8		M5 lockn ut
26			5 00 0 30 887	2		M16 wash er
27			5 00 0 68 874	2		D35/2 012
28			5 00 0 68 868	2		SPB DM= 12 5-5/20 12
29			5 00 0 68 205	2		
30				2		key10* 8-35
31			5 00 0 86 140	4		J72
32			5 00 0 38 114	4		6207 RS
33			5 00 0 68 206	2		
34			5 00 0 30 12 4	6		M16 nut
35			5 00 0 68 20 2	2		
36			5 00 0 57 22 9	8		M12*30 lock scre w
37			5 00 0 10 46 2	10		M12 wash er
38			5 00 0 30 96 8	10		M12 nut
39			5 00 0 10 76 1	6		M8*1 .25 lubricat ion nipple
40			5 00 0 30 96 9	4		M8 n ut
41			5 00 0 35 16 9	8		M8 wa she r
42			5 00 0 68 82 8	2		
43			5 00 0 68 82 9	2		shaft guard
44			5 00 0 63 54 8	8		M8*16 lock scre w DIN 6 03
45			5 00 0 68 81 0	1		oikea, right, re dht s, höger ,d ro ite
45			5 00 0 68 84 1	1		vasen, left ,link s, vän ster, gauche
46			5 00 0 68 22 6	8		
47			5 00 0 68 23 8	2		lifing chain
48			5 00 0 68 23 7	2		wire cable
49			5 00 0 68 22 4	2		pulley
50			5 00 0 40 12 6	2		PM 2530 DX bearing
51			5 00 0 68 22 3	2		
52			5 00 0 68 22 2	2		
53			5 00 0 68 22 5	2		axle
54			5 00 0 41 19 2	2		M12*55 hex hea d
55			5 00 0 68 20 1	2		
56			5 00 0 30 95 1	4		M10*16 hex hea d
57			5 00 0 10 60 7	4		M10 wash er
58			5 00 0 66 55 2	2		M24*65 hex hea d
59			5 00 0 57 25 9	2		M24 nut
60			5 00 0 04 1 24 4	2		



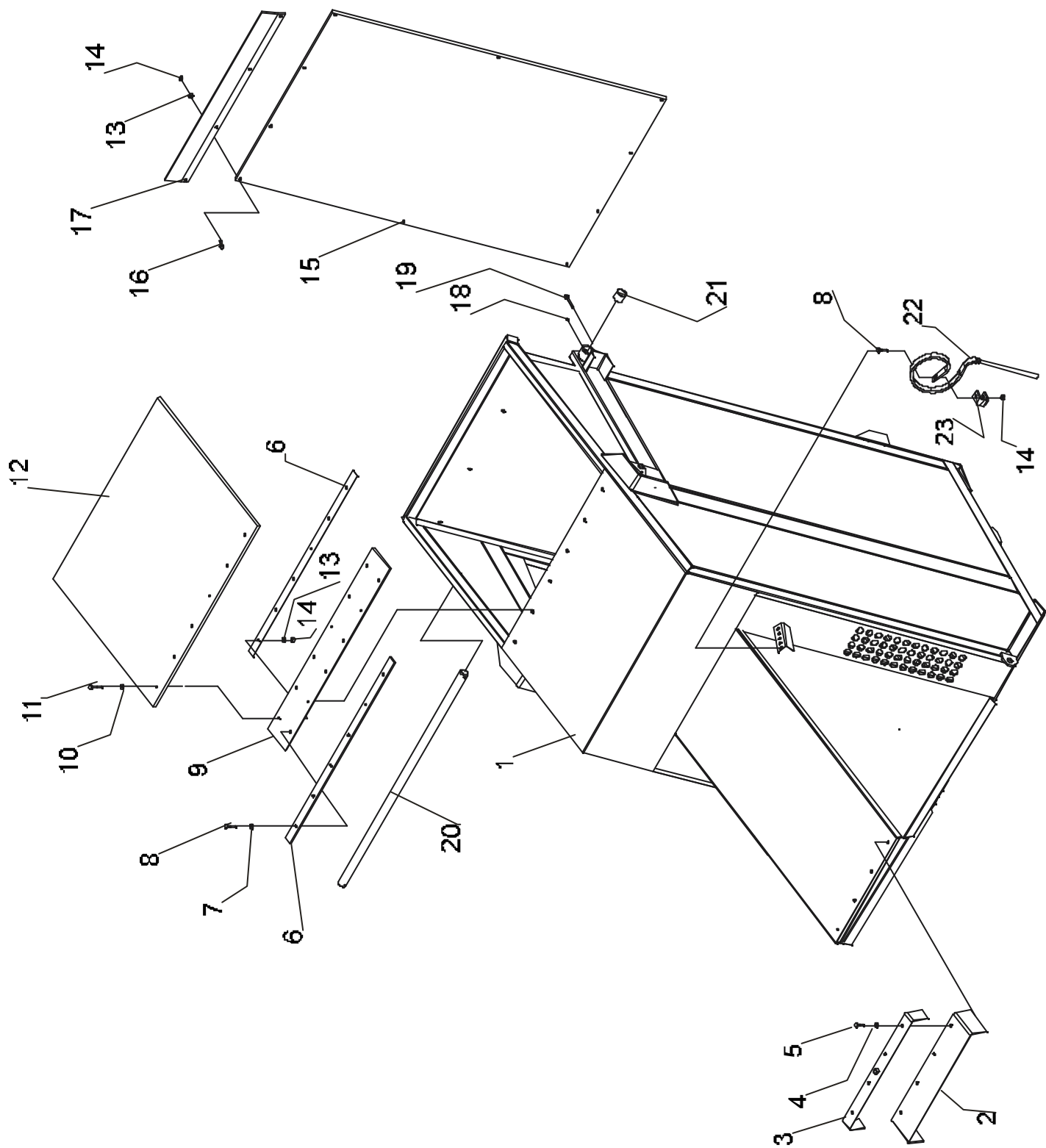
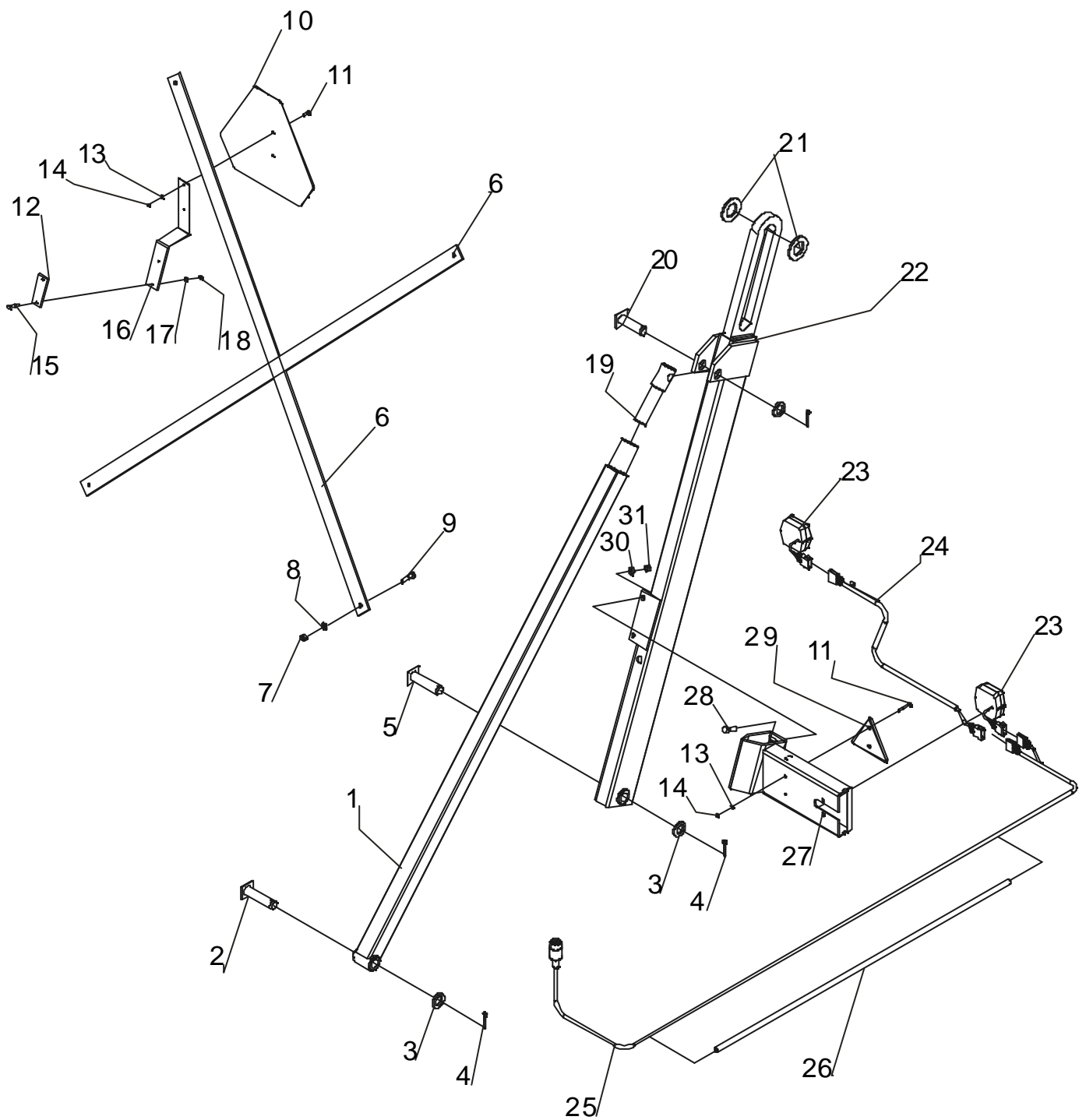


Fig.	Pack	Serial no.	Part no.	Pieces		Notes
				3000	4000	
1			500 068 720	1		
2			500 068 708	1		
3			500 068 709	1		
4			500 010 607	4		M 10 washer
5			500 030 958	4		M 10*25 hex head
6			500 068 713	2		
7			500 010 634	6		M 12 spring washer
8			500 030 522	14		M 12*35 hex head
9			500 068 707	1		rubber plate
10			500 035 554	6		D12.5*35*3 washer
11			500 057 233	6		M 12*60 hex head
12			500 068 706	1		covering plate plywood
13			500 010 462	14		M 12 washer
14			500 56448	14		M 12 lock nut
15			500 068 728	1		bottom plate rubber
16			500 057 543	12		M12*40 lock screw DIN603
17			500 068 729	2		
18			500 030 263	2		M6 lubrication nipple
19			500 050 123	4		D10*63 cotter pin
20			500 068 721	1		
21			500 068 722	2		45*50*40 PDE
22			500 068 401	5		Kongskilde nr. 101000831
23			500 068 403	5		



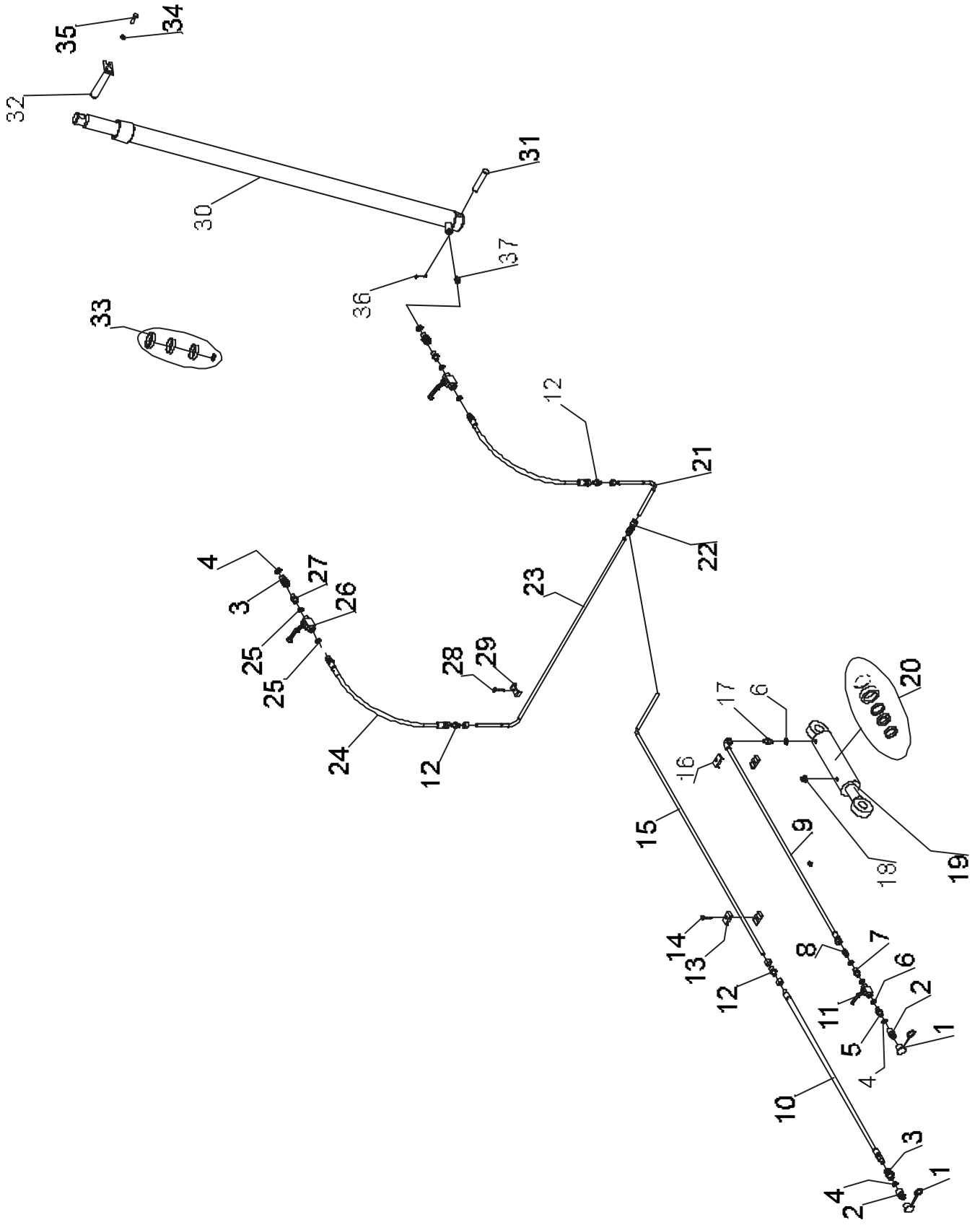


Fig.	Pack	Serial no.	Part no.	Pieces		Notes
				3000	4000	
1			500 058 656	2		
2			500 030 844	2		rapid connector 1/2"
3			500 041 836	3		R1/2-3/8"
4			500 052 361	4		usit 1/2"
5			500 090 812	1		1/2-1/4"
6			500 087 830	4		usit 1/4"
7			500 090 820	1		1/4-1/4"
8			500 042 546	1		
9			500 058 686	1		1/4"-2800
10			500 068 516	1		3/8"-3000
11			500 087 819	1		1/4" ball valve
12			500 158 828	3		EL 12
13			500 058 668	5		double fastener D15
14			500 089 559	10		M8*35 hexhead
15			500 068 514	1		
16			500 031 594	5		double fastener D12
17			500 090 820	1		1/4-1/4"
18			500 058 658	1		1/4"
19			500 680 513	1		
20			500 680 515	1		sealing kit
21			500 068 502	1		
22			500 031 592	1		
23			500 068 501	1		
24			500 068 853	2		
25			500 061 801	2		usit 3/8"
26			500 257 617	1		3/8" ball valve
27			500 095 832	1		3/8-3/8"
28			500 030 985	2		M8*25 hex head
29			500 057 623	1		
30			500 680 505	2		hydraulic cylinder assembly
31			500 068 139	2		
32			500 068 723	2		
33			500 680 506	2		sealing kit
34			500 010 153	2		M10 spring washer
35			500 040 702	2		M10*20 hex head
36			500 057 241	2		cotter pin D6.3*45
37			500 086 809	2		safety valve

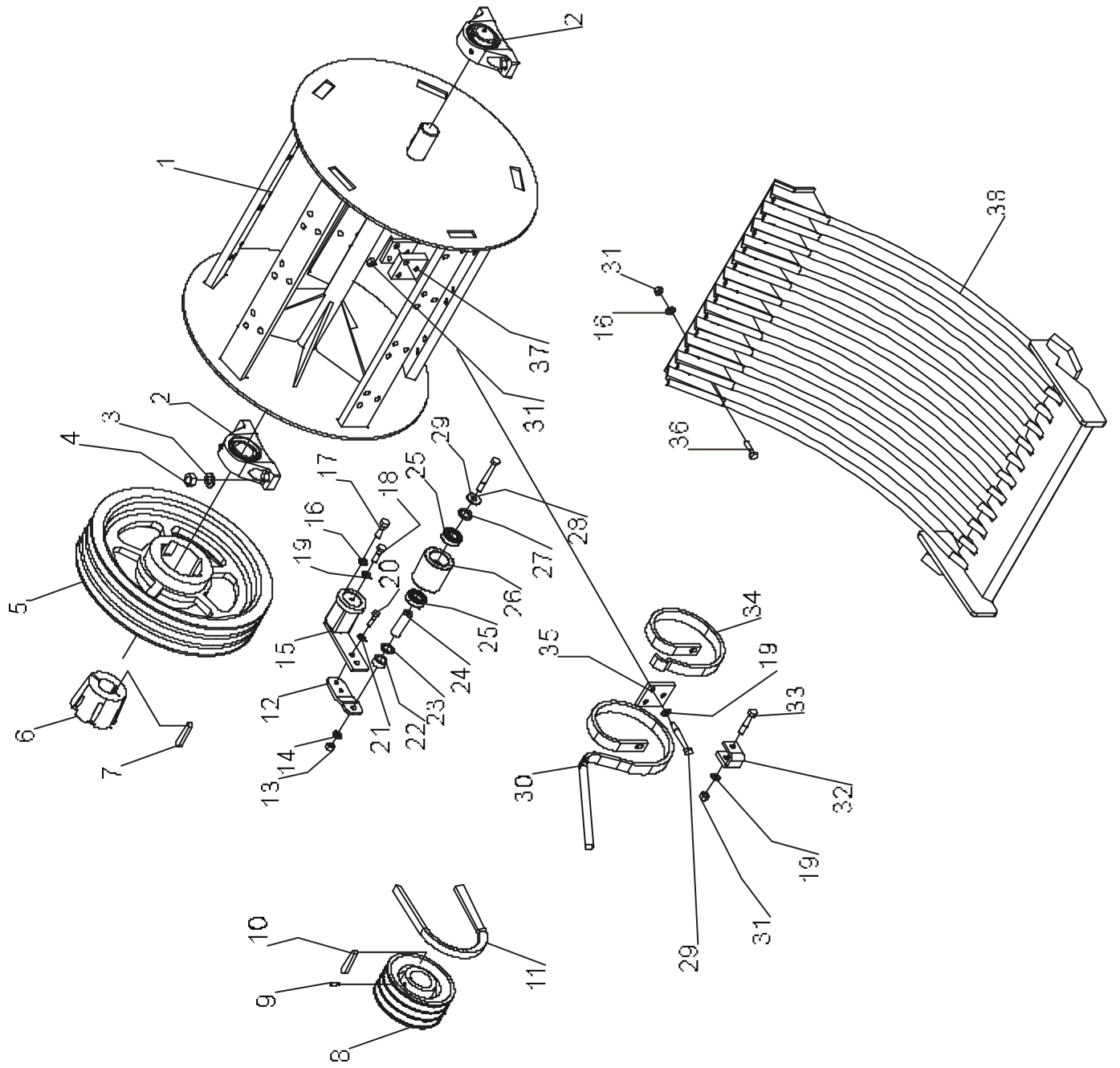
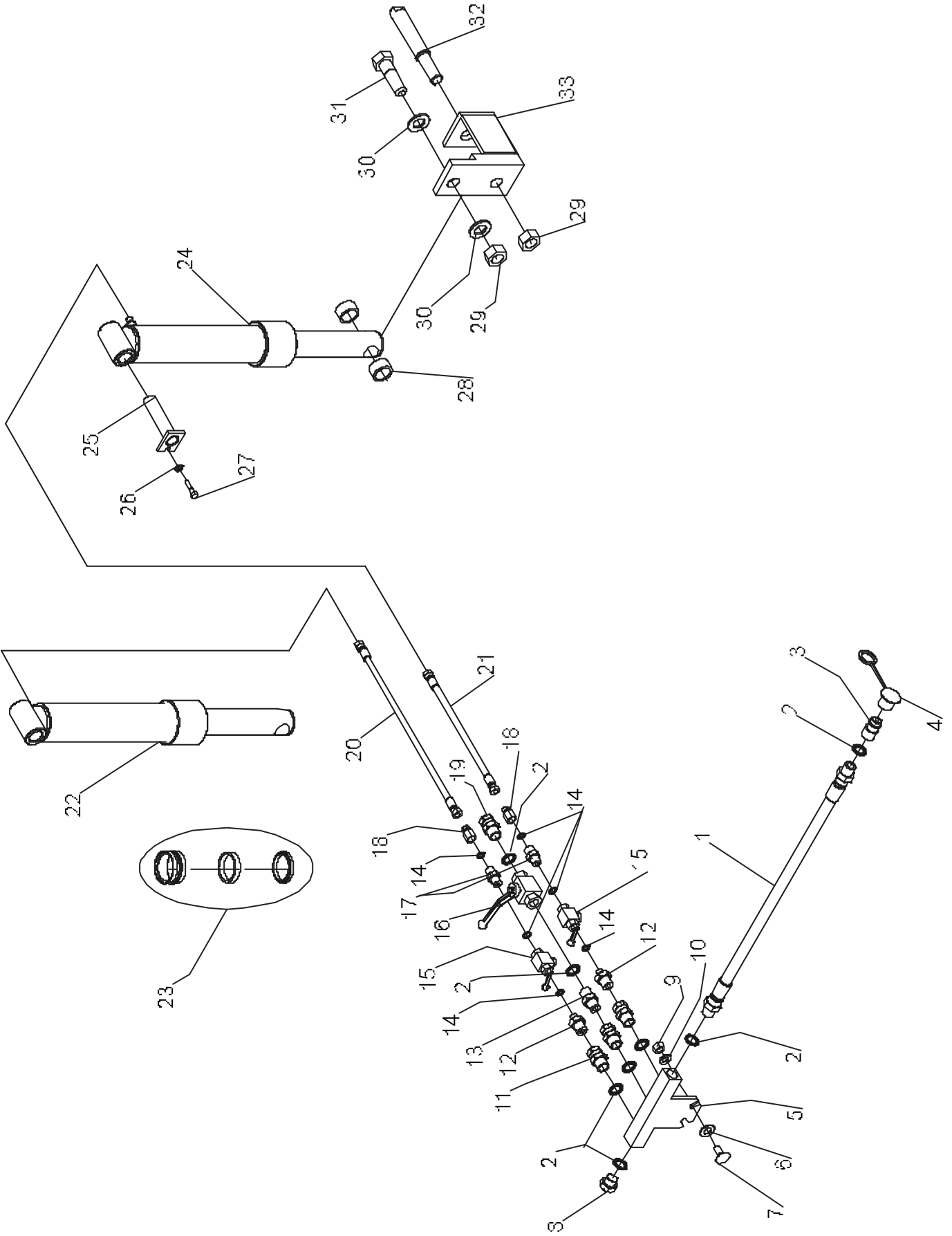
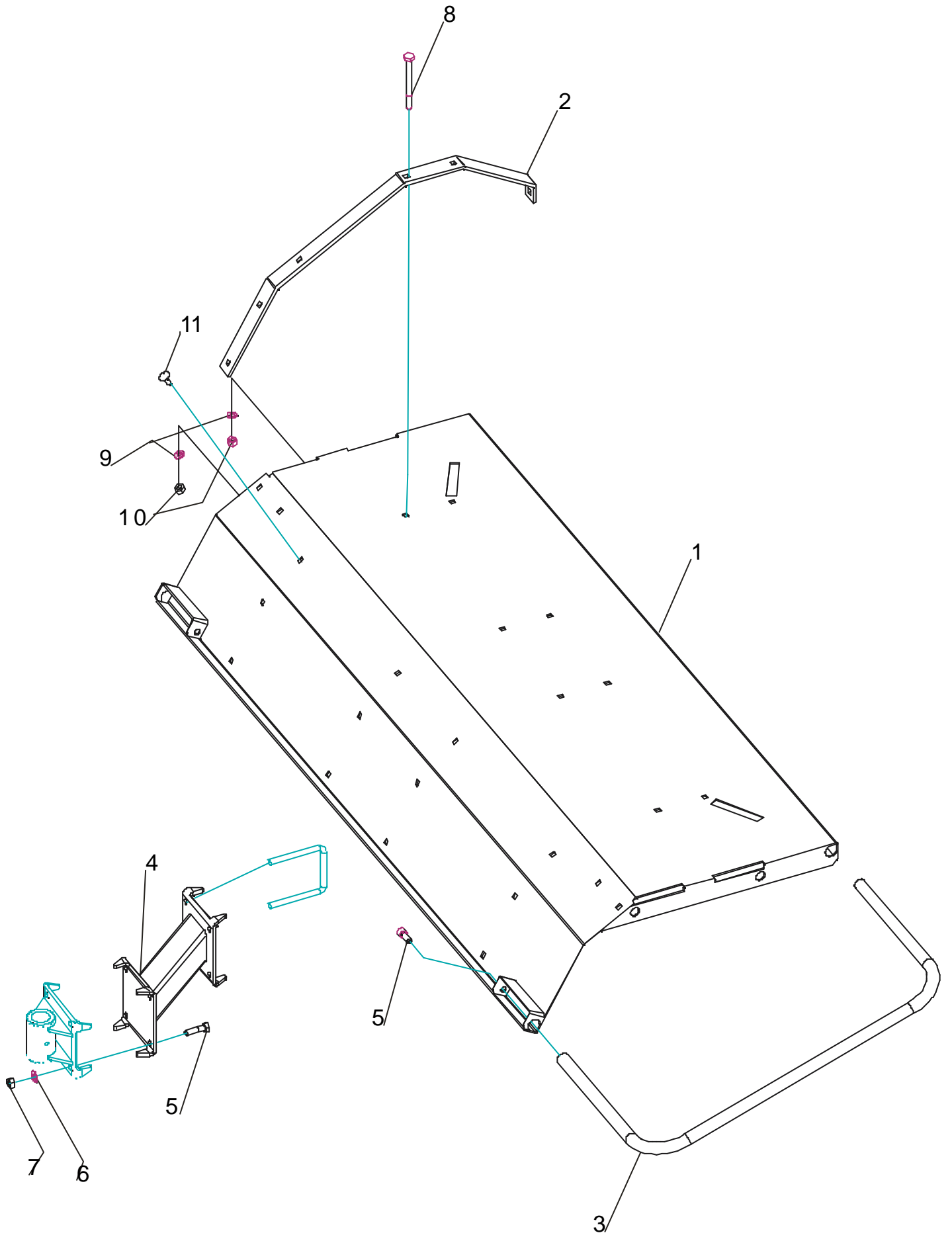


Fig.	Pack	Serial no.	Part no.	Pieces		Notes
				3 000	4000	
1			500 068 409	1		
2			500 263 162	2		SY 50 TF
3			500 053 942	4		M20 washer
4			500 053 463	4		M20 lock nut
5			500 068 867	1		SPC500-3/3535
6			500 068 806	1		D50 3535/50
7				1		key 14*9-65
8			500 068 866	1		SPC 180-3
9			500 013 557	1		M8*20 DIN 916
10				1		key 12*8-28
11			500 068 817	2		SPC 3150
12			500 068 876	1		
13			500 030 968	1		M12 nut
14			500 010 634	1		M12 spring washer
15			500 068 818	1		
16			500 010 607	1		M10 washer
17			500 020 561	1		M10*40 hex head
18			500 030 952	1		M12*30 hex head
19			500 010 462	59		M12 washer
20			500 040 702	2		M10*20 hex head
21			500 010 153	2		M10 spring washer
22			500 189 501	1		
23			500 056 625	1		25.5*35*2 washer
24			500 068 834	1		
25			500 055 175	2		6205-2RS
26			500 068 833	1		
27			500 025 110	1		26*36*4 washer
28			500 035 554	1		M12 washer DIN 9021
29			500 035 244	1		M12*100, 10.9 DIN931
30			500 068 401	18		Kongskilde nr. 101000831
31			500 056 448	76		M12 lock nut
32			500 068 403	18		
33			500 068 407	18		M12*70 10.9 hex head
34			500 068 402	18		
35			500 068 405	36		
36			500 030 522	4		M12*35 hex head
37			500 068 404	18		
38			500 068 604	1		40mm
38			500 068 605	1		28mm option
38			500 068 366	1		35mm option
38			500 068 368	1		50mm option







Oy Kongskilde Juko Ltd
Opintie 4
23100 Mynämäki Finland
Tel. +358 2 4393230
Fax. +358 2 4393210
E-mail: mail@ksf.kongskilde.com

5571002031

15.02.2003