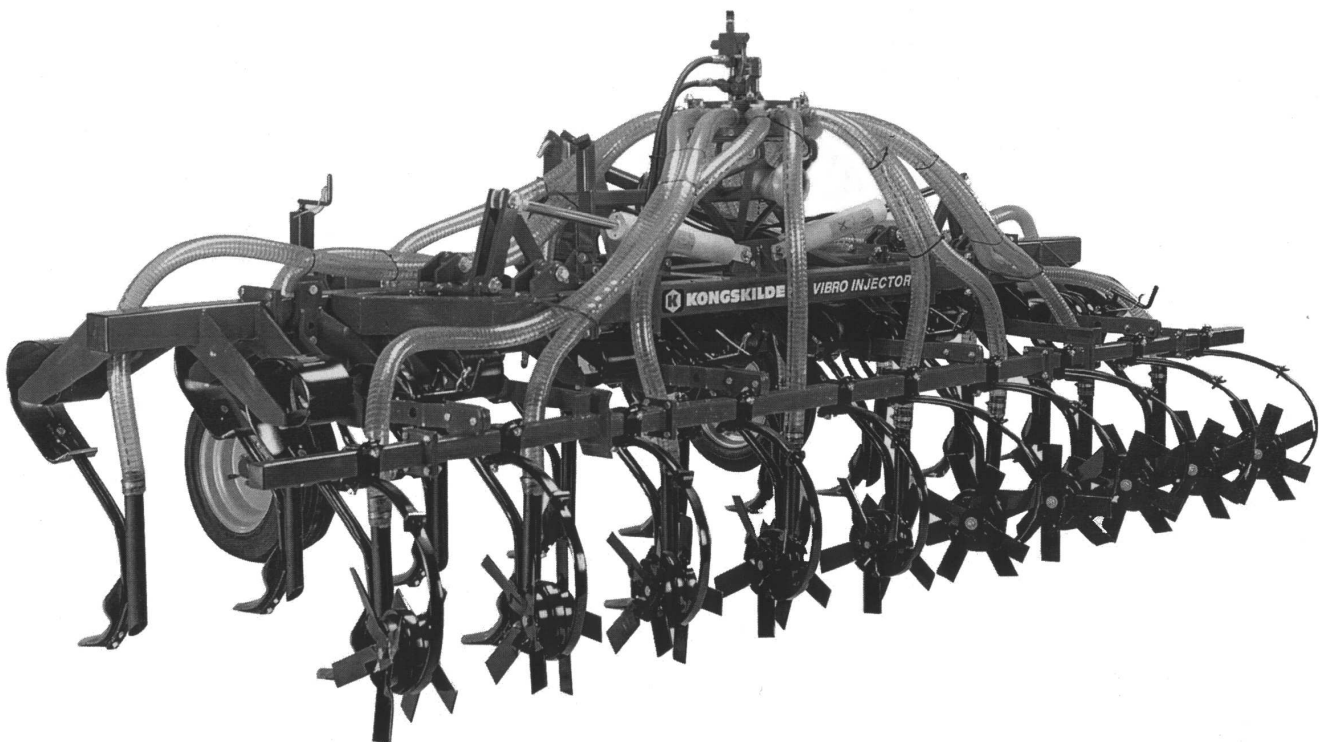
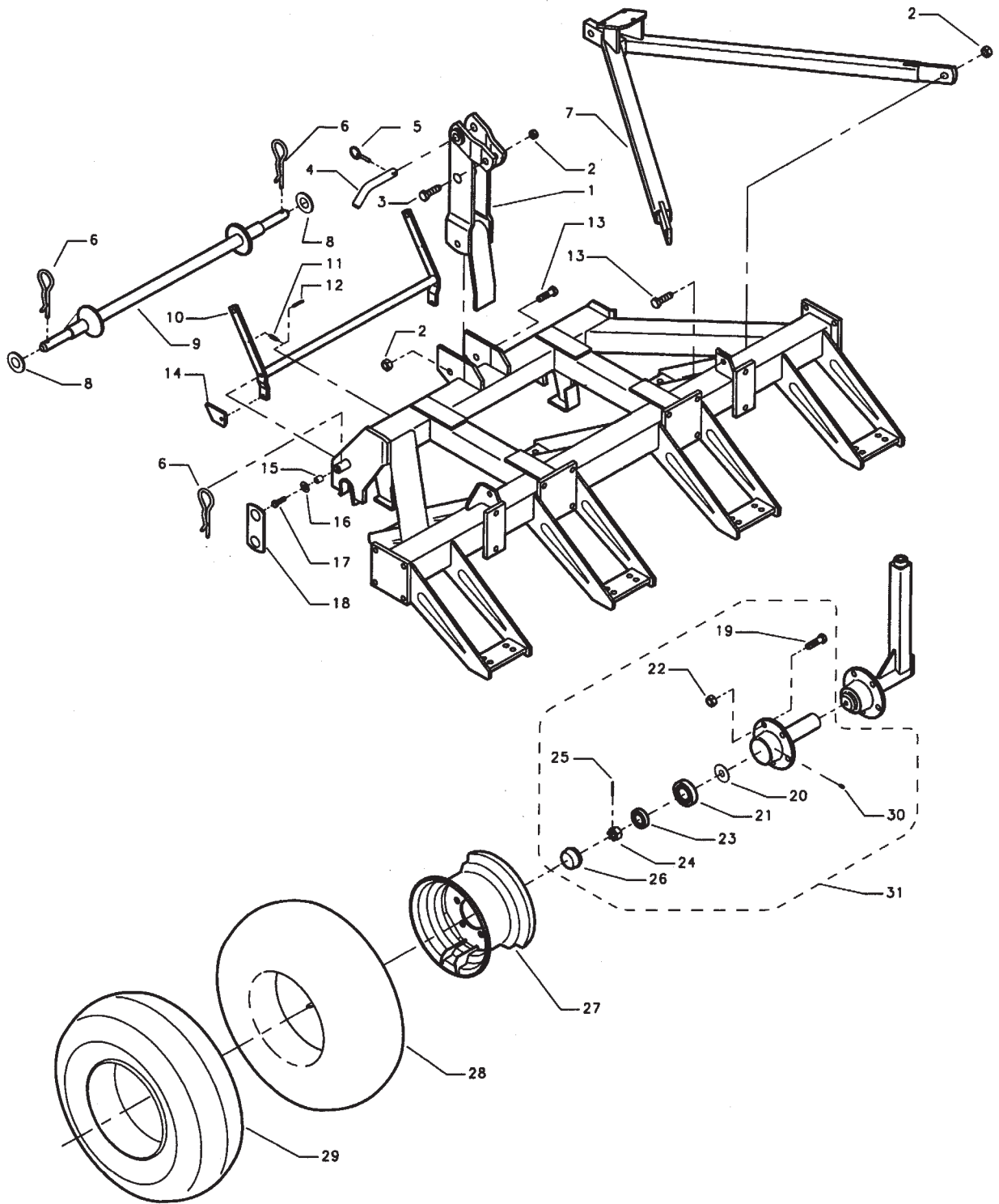


VIBRO-INJECTOR 2000



**Ersatzteilliste
Spare parts list
Liste di pice de rechange**



Tab. 1

Fig.	Serial no.	Part no.	Pieces	Notes
1		105 150 018	1	
2		100 316 090	4	M20x1.5 lock nut Delta
3		100 306 174	1	Steel bolt 10.9 M20x1.5x80 mm Delta
4		105 000 388	1	
5		300 323 046	1	Lynch pin
6		100 333 012	4	8 mm hair pin clip
7		105 090 211	1	
8		105 090 246	2	
9		101 050 318	1	
10		105 000 396	1	
11		101 000 624	2	
12		300 333 064	2	8 mm split pin
13		100 306 172	4	Steel bolt 10.9 M20x1.5x50 mm Delta
14		105 000 390	2	
15		105 000 410	2	17/13x20 mm spacer
16		300 332 008	2	M12 flat washer
17		300 304 057	2	M12x35 set screw
18		105 090 245	2	30/38
19		100 323 364	10	Hub bolt M14x1.5x43
20		100 423 088	2	Seal
21		300 402 006	2	Bearing 30209
22		100 316 085	10	Nut M14x1.5 R14
23		300 402 005	2	Bearing 30206
24		300 316 008	2	M24x1.5
25		300 333 061	2	Split 5x35
26		100 423 089	2	Cap D62 for FAD 45-5
27		101 095 183	2	Rim 7.00x12
28		100 423 026	2	Tube for 10.0/80
29		100 423 025	2	Tyre 10.0/80-12 8 ply
30		100 421 000	2	Grease nipple M6
31		105 150 251	2	Hub complete FAD 45-5

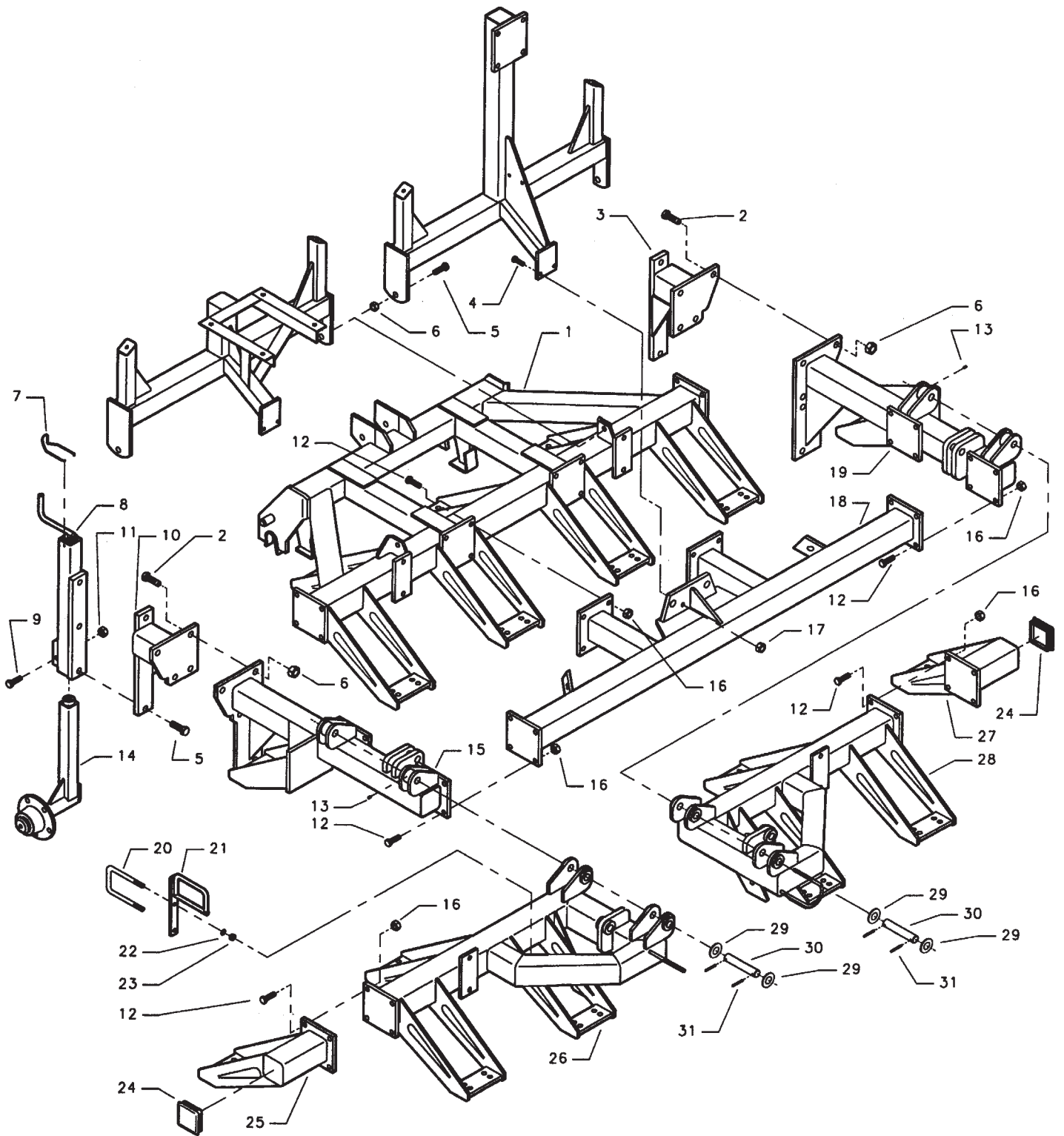


Fig.	Serial no.	Part no.	Pieces	Notes
1		105 155 000	1	VF 2007
2		300 304 107	8	M20x55 mm steel bolt
3		105 090 221	1	
4		300 304 058	2	M12x40 steel bolt
5		300 304 115	8	M20x40 steel bolt
6		300 316 016	6	M20 lock nut
7		101 000 064	2	
8		105 090 340	2	
9		300 304 092	2	M16x40 steel bolt
10		105 090 219	1	
11		300 315 006	2	M16 nut
12		100 306 170	8	Steel bolt 10.9 M16x1.5x50 mm Delta
13		300 421 002	4	M6 grease nipple
14		105 090 334	2	
15		105 090 215	1	
16		100 316 089	16	M16x1.5 lock nut Delta
17		300 316 037	2	M12 lock nut
18		105 090 213	1	
19		105 090 217	1	
20		105 090 660	2	
21		105 090 237	2	
22		300 332 022	4	M12 spr. washer
23		300 316 037	4	M12 lock nut
24		100 414 029	2	Plast plug RMS 100x100x5
25		105 156 001	1	VF 2002 Left
26		105 090 225	1	
27		105 156 004	1	VF 2002 Right
28		105 090 223	1	
29		300 215 276	8	1" flat washer
30		105 090 249	4	25x135 mm
31		300 323 031	8	6x40 mm split pin

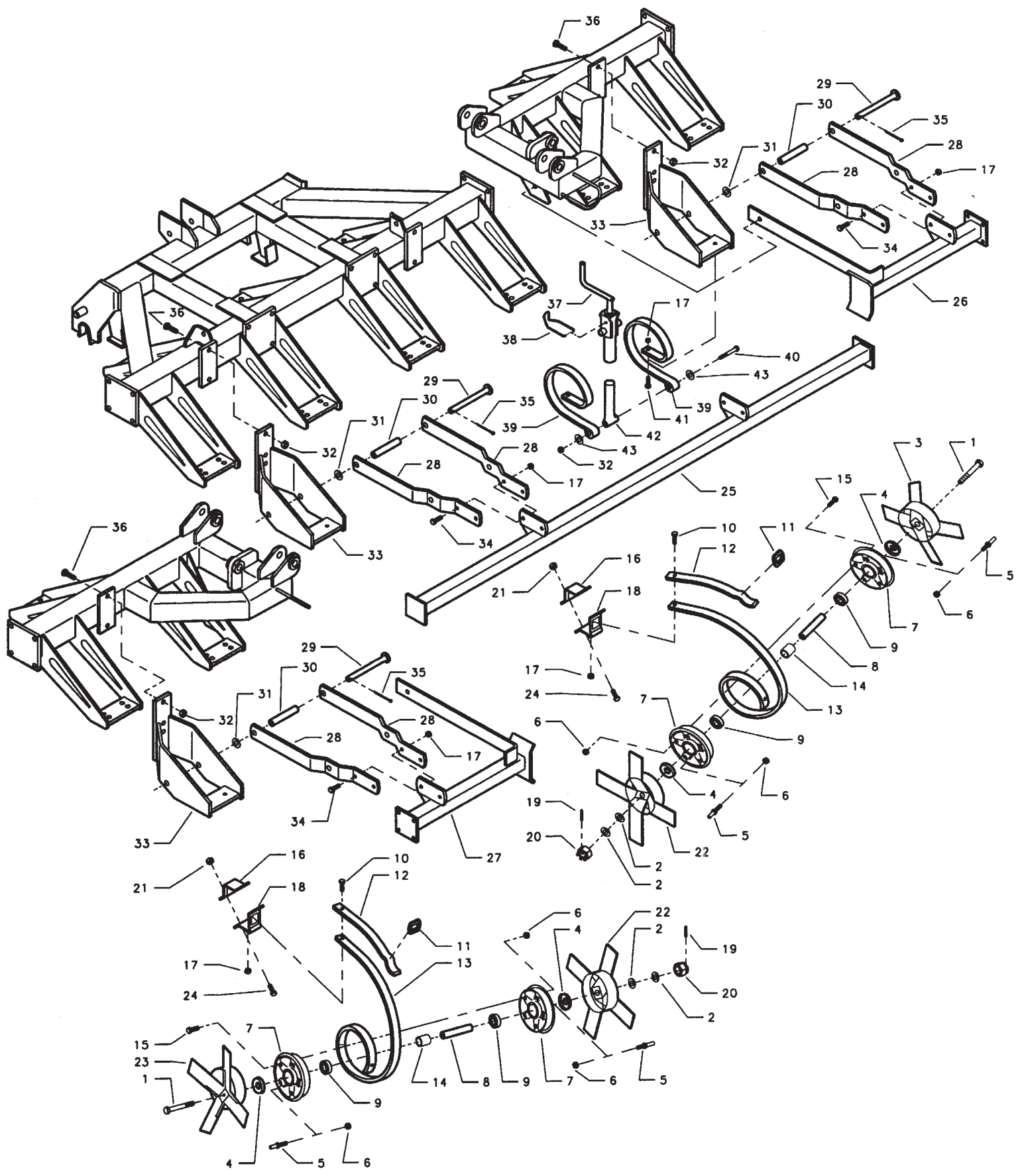
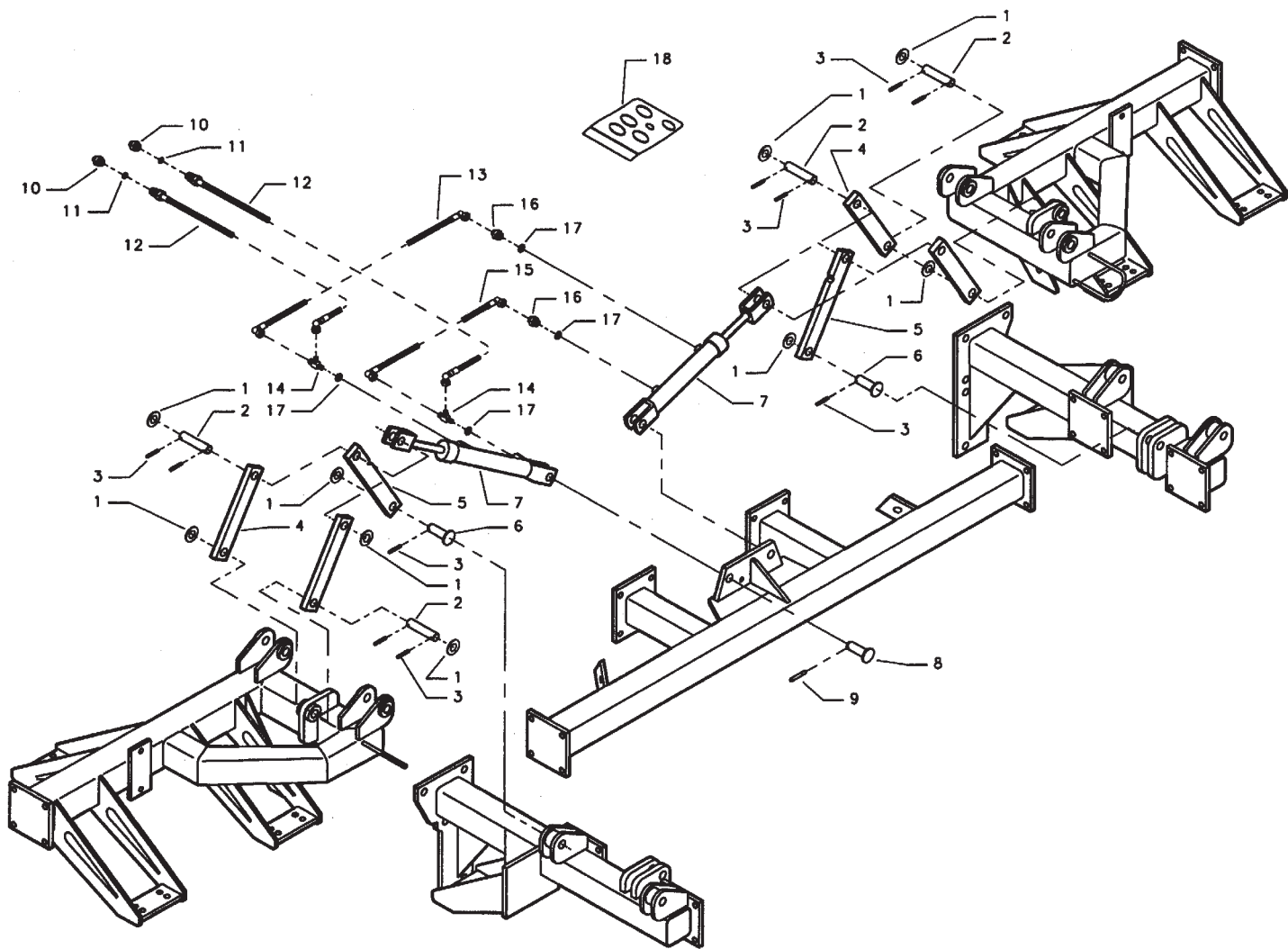
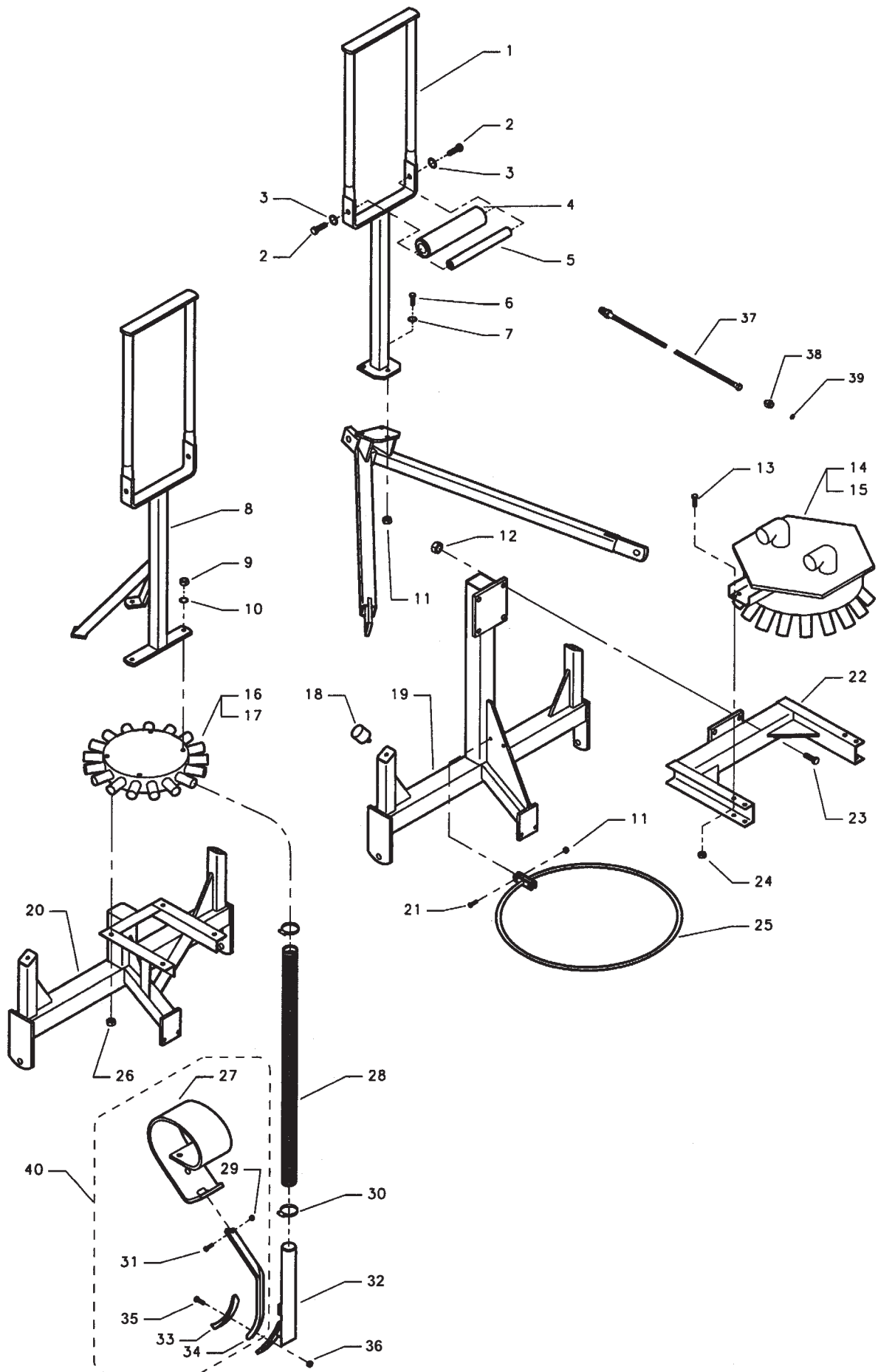


Fig.	Serial no.	Part no.	Pieces	Notes
1		105 070 120		Conic spring washer M16 DIN 6796 "B"
2		100 331 082		
3		105 070 019		
4		105 070 033		
5		105 070 059		
6		300 316 027		Lock nut M8
7		105 070 030		
8		105 070 112		
9		300 401 018		
10		300 304 057		
11		105 070 117		Ball bearing 6205-2RS Set screw M12x35 mm
12		105 070 109		
13		105 070 115		
14		105 070 111		
15		300 304 152		
16		105 070 104		Lock nut M12
17		300 316 021		
18		105 070 116		
19		300 333 058		
20		300 304 075		
21		300 316 031		Lock nut M14 "C" "A" Set screw M14x40 mm
22		105 070 024		
23		105 070 012		
24		100 308 044		
25		105 077 100		
26		105 077 104		Pin 20x192 mm Spacer 27/22x122 mm
27		105 077 102		
28		105 077 032		
29		105 077 017		
30		105 077 019		
31		300 332 034		Flat washer M20 Lock nut M16
32		300 316 023		
33		105 077 060		
34		300 304 060		
35		300 333 064		
36		300 304 093		Bolt M12x50 mm Split pin 8x40 mm
37		105 073 010		
38		101 000 064		
39		105 077 093		
40		300 304 089		
41		300 304 058		Set screw M16x45 mm
42		105 073 009		
43		100 331 021		
44		105 070 106		
45		105 070 086		
46		105 073 044		Bolt M16x140 mm
				Set screw M12x40 mm
				Flat washer 35\17.5x3 mm
				Repair set pos. 16+18+21+24
				Repair set pos. 1+2+8+19+20 for 2 units
				Repair set pos. 37+42





Tab. 5

Fig.	Serial no.	Part no.	Pieces	Notes
1		105 090 250	1	For Vogelsang
2		300 304 208	2	M16x30 mm steel bolt
3		300 332 018	2	M16 spr.washer
4		105 090 244	1	
5		105 090 243	1	
6		300 304 058	3	M12x40 steel bolt
7		300 332 008	3	M12 flat washer
8		105 090 252	1	For Samex
9		300 304 034	4	M10 lock nut
10		300 332 027	4	M10 flat washer
11		300 316 020	5	M10 lock nut
12		300 316 023	4	M16 lock nut
13		300 304 056	4	M12x30 mm steel bolt
14		105 090 365	1	Vogelsang 15 outlets
15		105 090 366	1	Vogelsang 17 outlets
16		105 090 367	1	Samex 15 outlets
17		105 090 368	1	Samex 17 outlets
18		100 323 270	2	Rubber damper M10
19		105 090 227	1	For Vogelsang
20		105 090 233	1	For Samex
21		300 304 034	2	M10x30 mm steel bolt
22		105 090 231	1	For Vogelsang
23		300 304 094	4	M16x50 steel bolt
24		300 316 021	4	M12 lock nut
25		105 090 350	1	For Vogelsang
26		300 316 021	4	M12 lock nut
27		105 150 055	15	Type:VFM 15 outlets
			17	Type:VFM 17 outlets
28		105 090 362	1	Spare part hose L=3200 mm
29		300 316 023	15	M16 lock nut 15 outlets
30		300 420 010	17	M16 lock nut 17 outlets
			30	AP 40-60 stainless 15 outlets
			34	AP 40-60 stainless 17 outlets
31		100 306 056	15	M16x45 steel bolt 15 outlets
			17	M16x45 steel bolt 17 outlets
32		105 090 235	15	Outlet pipe 15 outlets
			17	Outlet pipe 17 outlets
33		105 000 794	1	VF 11 cm rev. ultr.-X share w. bolts (110x10)
34		105 150 056	15	Typ:VFM 15 outlets
			17	Typ:VFM 17 outlets
Cpl.		100 323 417	-	Bolt set Fig. 35+36, pack with 20 pcs.
37		105 090 677	2	5/8" x 4000 mm with quick release nipple
38		100 420 145	2	1/2"x5/8" nipple
39		100 413 153	2	1/2" seal
40		105 000 840	1	VF tine for VI w. rev. ultra-X share 110x10 mm

