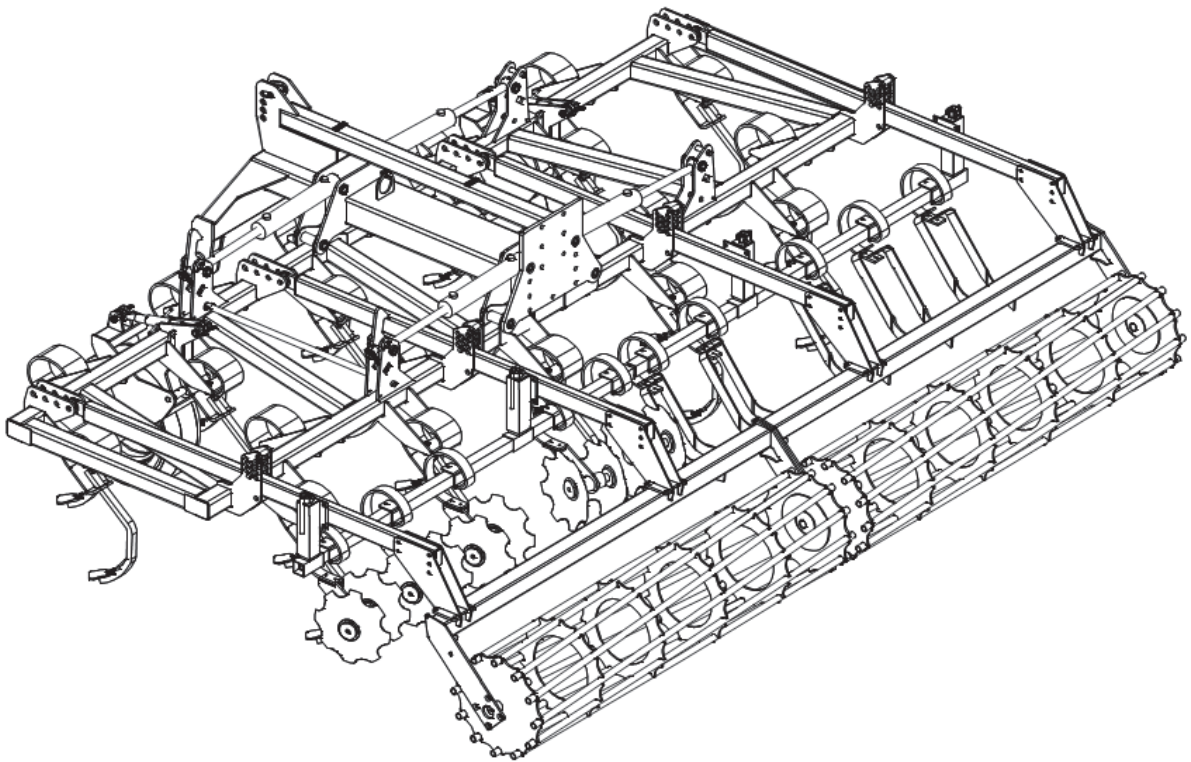
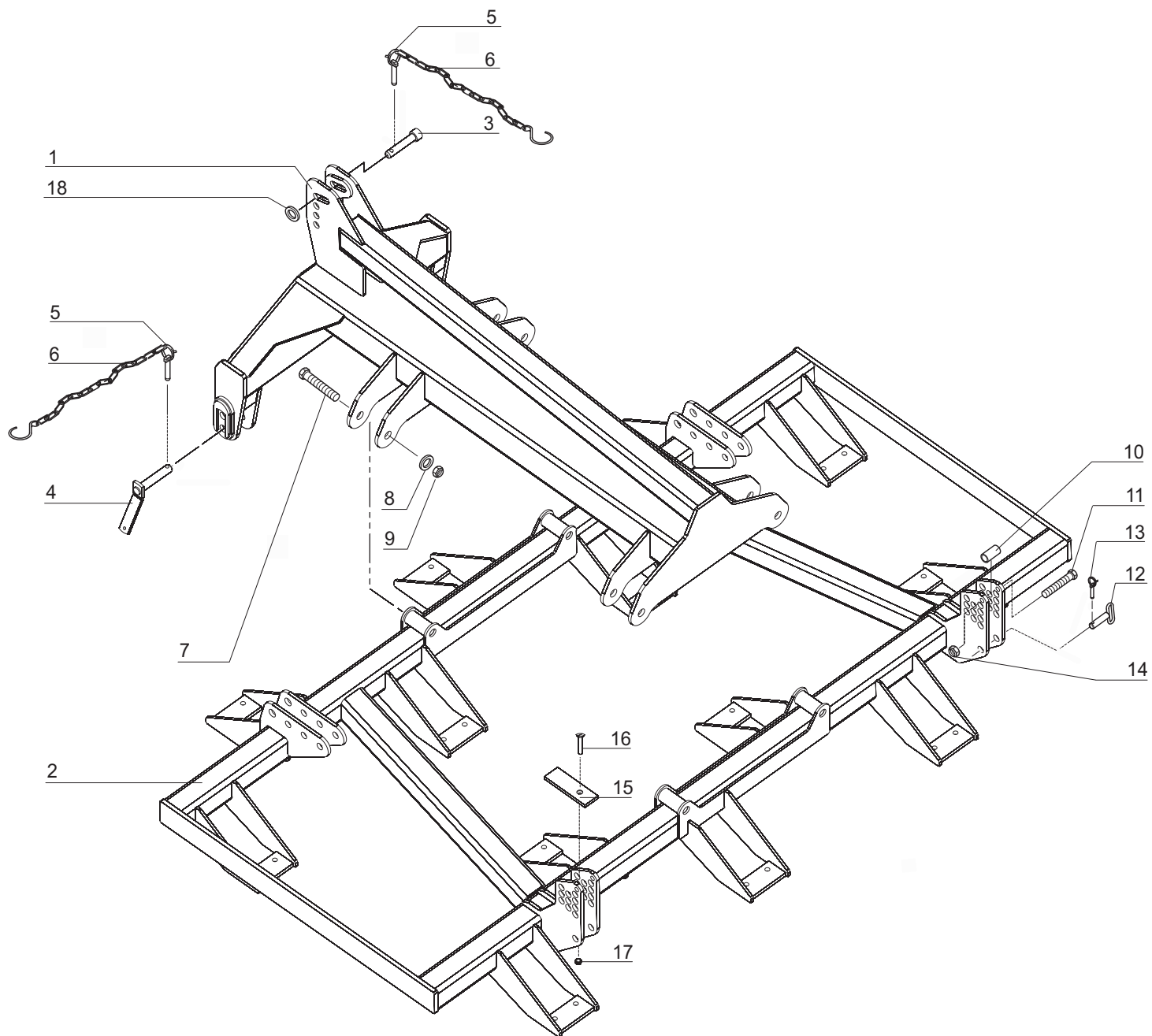


VIBRO FLEX 7400



Ersatzteilliste
Spare parts list
Liste di piçce de rechange

Tab. 1



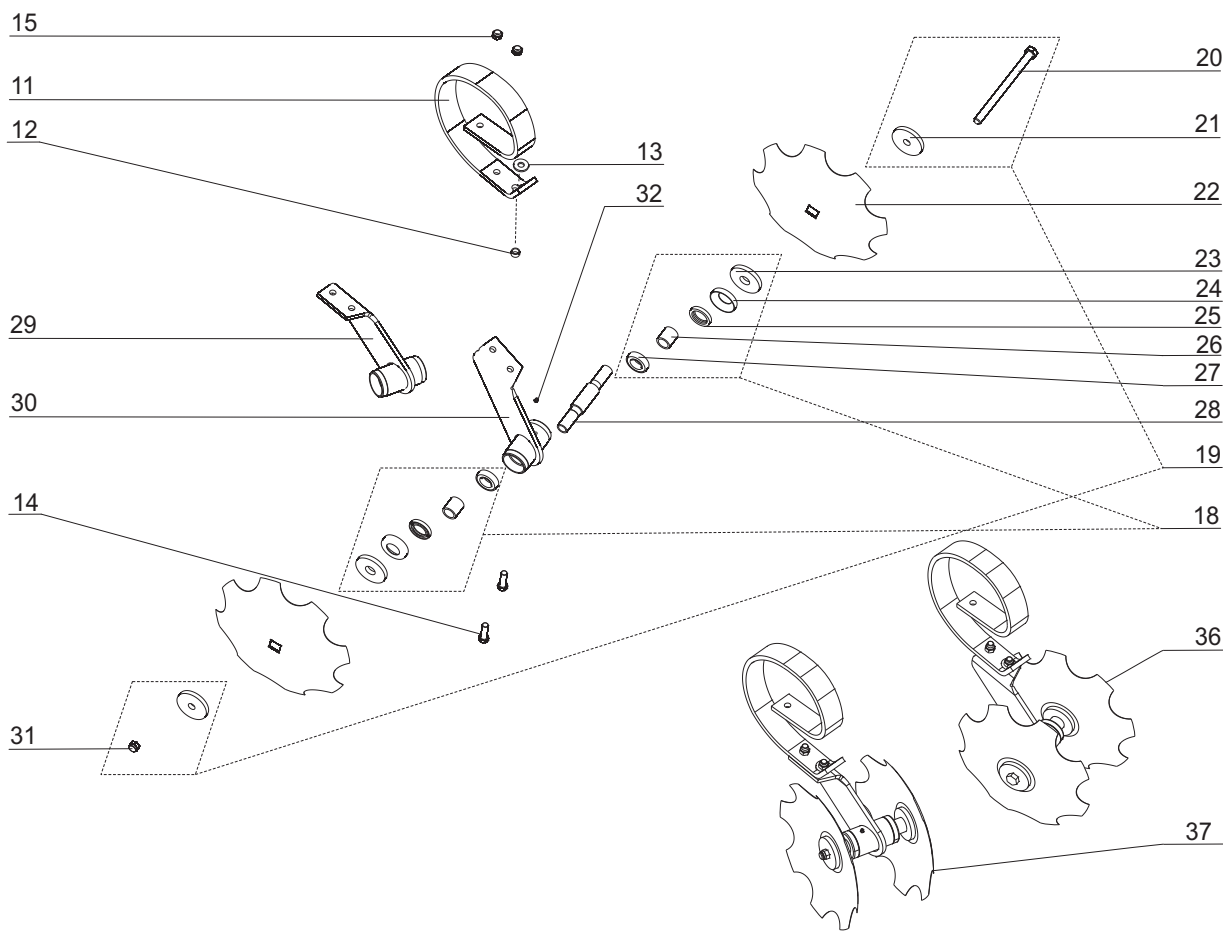
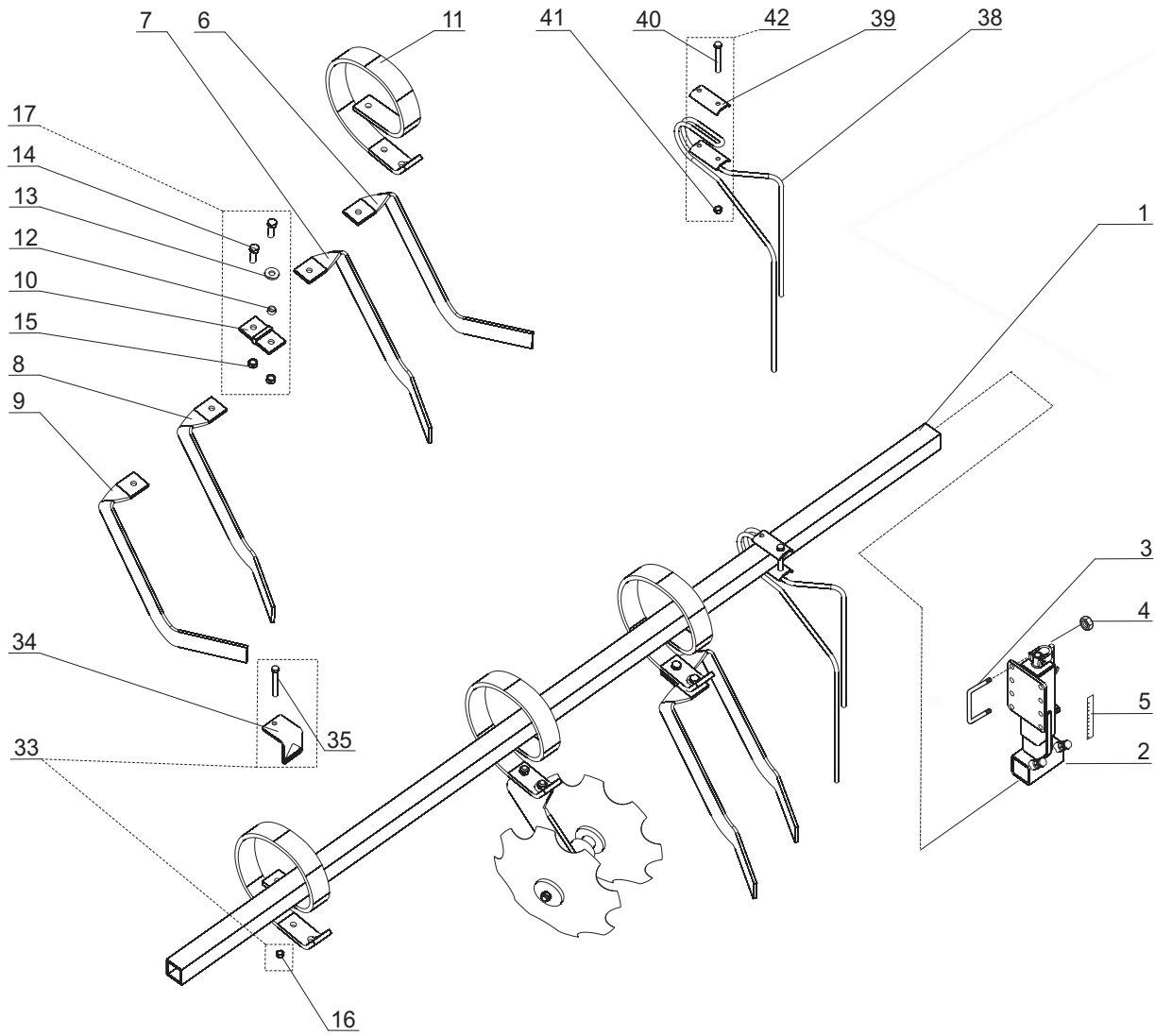
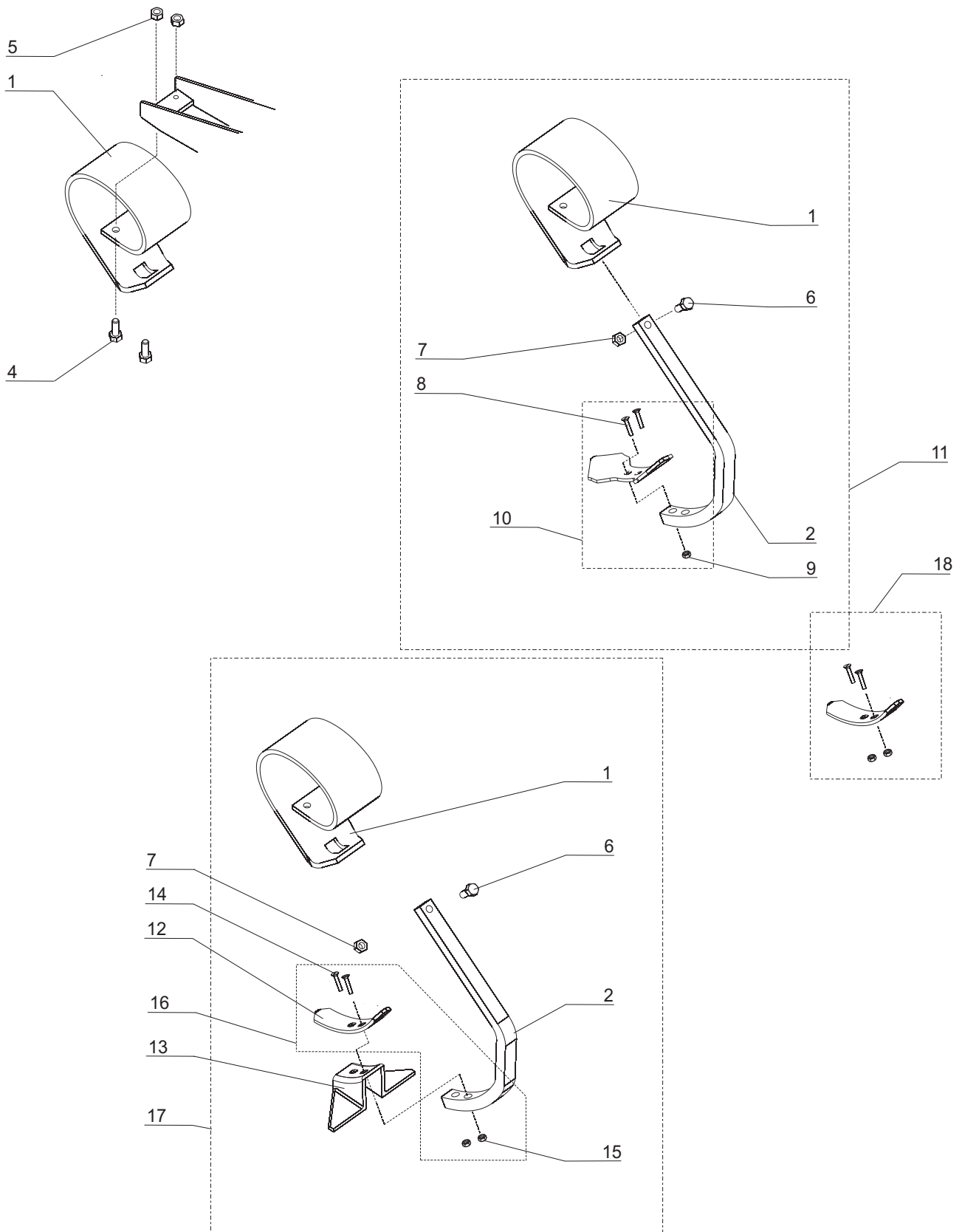
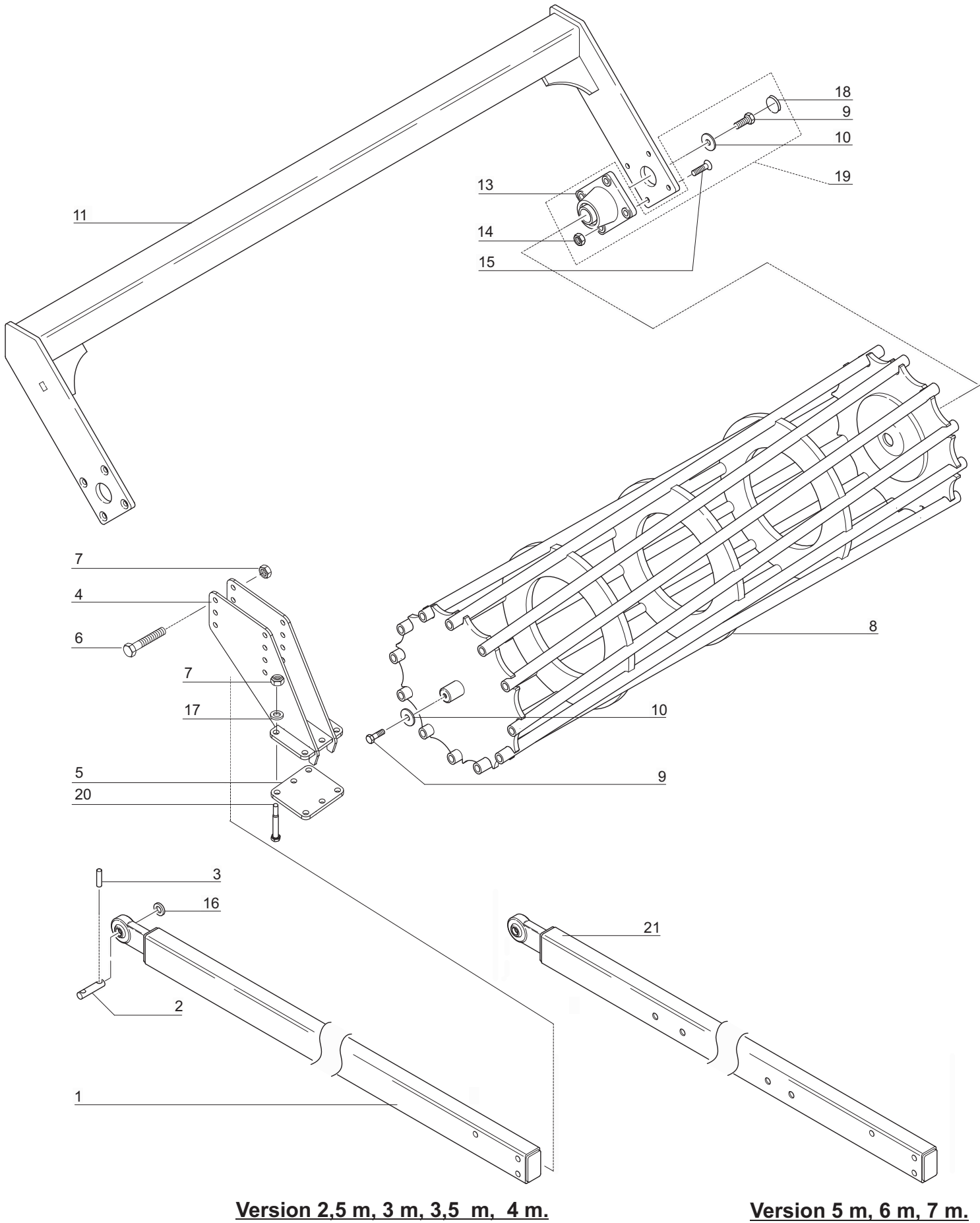


Fig.	Serial no.	Part no.	Pieces	Notes	Tab. 2
1		372004992	2	Disc beam DF 4000H	L= 2000
1		372004993	1/2	Disc beam DF 2500/5000H	L= 2500
1		372004994	1/2	Disc beam DF 3000/6000H	L= 3000
1		372004995	1/2	Disc beam DF 3500/7000H	L= 3500
1		372004996	1	Disc beam DF 4000	L= 4100
2		372245700	2/4	Spindle	
3		71208007952	4/8	U-bolt	M16
4		300316023	8/16	Self-locking nut	DIN985 M16
5		700TT30579	2/4	Sticker	
6		7201011077	3/4/5/6/7	Hockey stick	700120050102
7		7201011087	3/4/5/6/7	Hockey stick	7001201102
8		7201011080	3/4/5/6/7	Hockey stick	7001201103
9		7201011076	3/4/5/6/7	Hockey stick	7001200503
10			6/8/10/12/14	Plate cpl.	
11		101000835	6/8/10/12/14	Coil	13,3x65 VTH-L
12			6/8/10/12/14	Pipe	
13			6/8/10/12/14	Washer	
14			2	Bolt	DIN931 M16x50 10,9
15		300316023	2	Self-locking nut	DIN985 M16
16			6/8/10/12/14	Self-locking nut	DIN985 M16x1,5
17		372165200	1	Fixation kit for hockey stick 10+12+13+14+15	kit incl 1+1+1+2+2pcs
18		372165300	1	Fixation kit for bearing 23+24+25+26+27	kit incl 2+2+2+2+2pcs
19		372165400	1	Fixation kit for shaft incl. nut-disc 20+21+31	kit incl 1+2+1pcs
20			1	Bolt	DIN931 M20x290
21			2	Washer	
22		7201003208	2	Plane disc	410
23			2	Washer	
24			2	Cover	
25			2	Seal	40x62x10
26			2	Bush	
27			2	Bearing	6206
28		7201011059	1	Bearing axel	
29		7201011091	1	Bearing housing cpl.	LH
30		7201011090	1	Bearing housing cpl.	RH
31			1	Self-locking nut	DIN985 M20
32		300421006	1	Nipple	M6x1
33		101000907	1	VTH-L Tine Clamp (Incl bolt and nut) 34+35+36	kit incl 1+1+1pcs
34			1	VTH-L Tine Clamp	
35			6/8/10/12/14	Bolt	DIN 960 M16x110x1,5 10,9
36		372192500	1	Discs kit left without clamp	
37		372192600	1	Discs kit right without clamp	
38		7201011075	6/8/10/12/14	Longfinder	
39			2	Plate	
40			2	Bolt	DIN931 M12x100
41			2	Self-locking nut	DIN985 M12
42		372165500	1	Fixation kit for shaft incl. nut-disc 39+40+41	kit incl 2+2+2pcs

Tab. 3



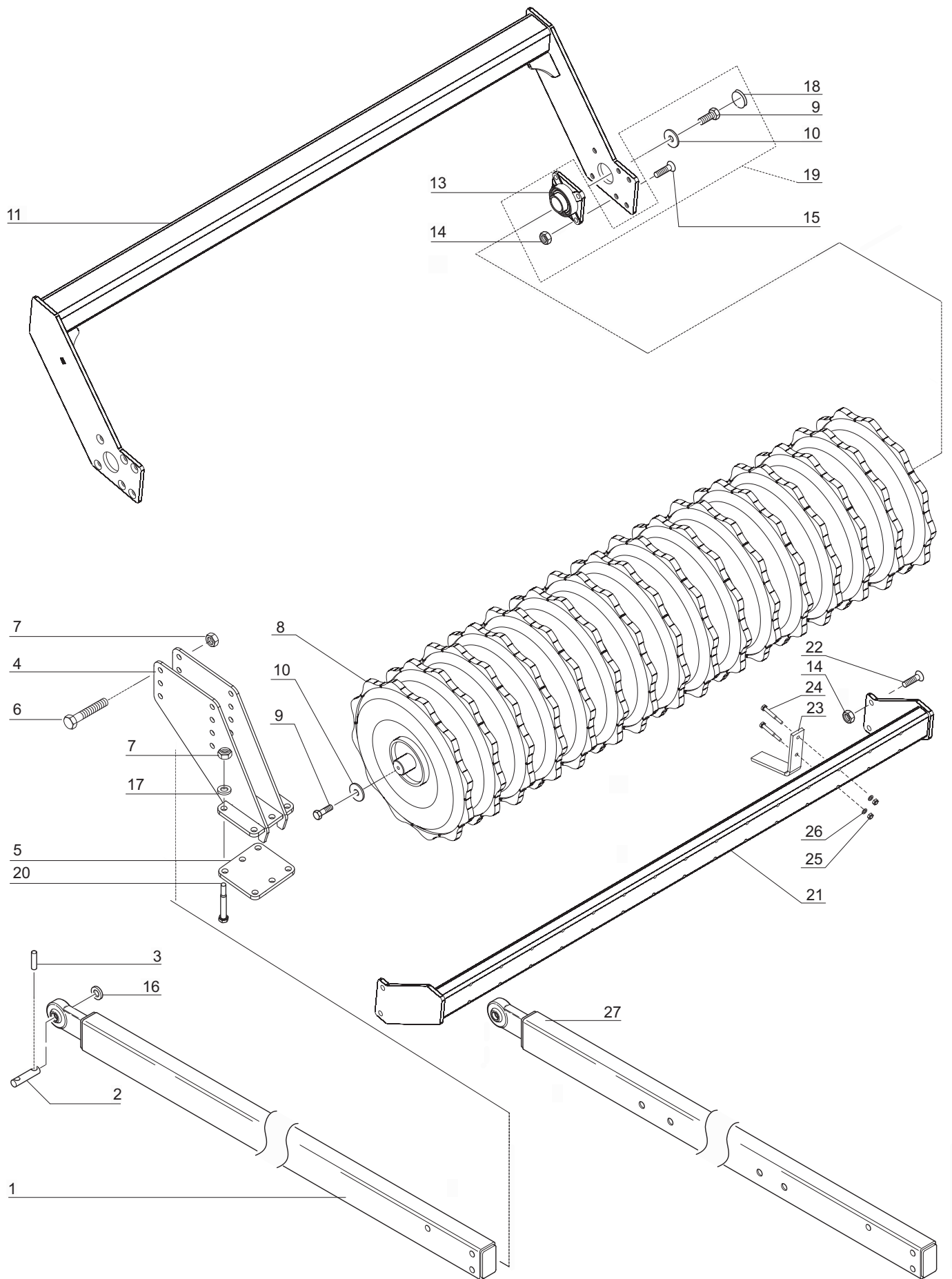
Tab. 4



Tab. 4

Fig.	Serial no.	Part no.	Pieces	Notes	
1		71918834612	2/4	Beam cpl.	2,5m,3m,3,5m,4m
2		372003395	2/4	Pin	
3		300323039	4/8	Tension pin	DIN1481 8x50
4		372281800	2/4	Bracket cpl.	550
5		372006238	2/4	Plate	
6		300304077	6/12	Bolt	DIN931 M16x100
7		300316023	18/36	Self-locking nut	DIN985 M16
8		71918835242	1	Cage roller	d 550/4000
8		71918835222	2	Cage roller	d 550/4000H
8		71918835232	1/2	Cage roller	d 550/3000 & 6000H
8		71918835227	1/2	Cage roller	d 550/2500 & 5000H
8		71918844536	1/2	Cage roller	d 630/3500 & 7000H
9			2/4	Bolt	DIN933 M12x30
10			2/4	Washer	8x60
11		71918833801	1/2	Roller frame cpl.	3000 & 6000H
11		71918833802	1	Roller frame cpl.	4000
11		71918833803	2	Roller frame cpl.	4000H
11		71918833804	1/2	Roller frame cpl.	2500 & 5000H
11		372145600	1/2	Roller frame cpl.	3500 & 7000H
13			2/4	Bearing	YAR210-2RF
14			8/16	Self-locking nut	DIN985 M16
15			8/16	Screw	DIN7991 M16x55
16		300332035	6/12	Washer	DIN125 25
17		300332009	12/24	Washer	DIN125 17
18			2/4	Closure	
19		372165600	1	Fixation kit for packerroller bearing 9+10+13+14+15+18	kit incl 1+1+1+4+4+1pcs
20		300304276	12/24	Bolt	DIN931 M16x150 10,9
21		372277800	4	Beam cpl. STRONG	5m,6m,7m

Tab. 5



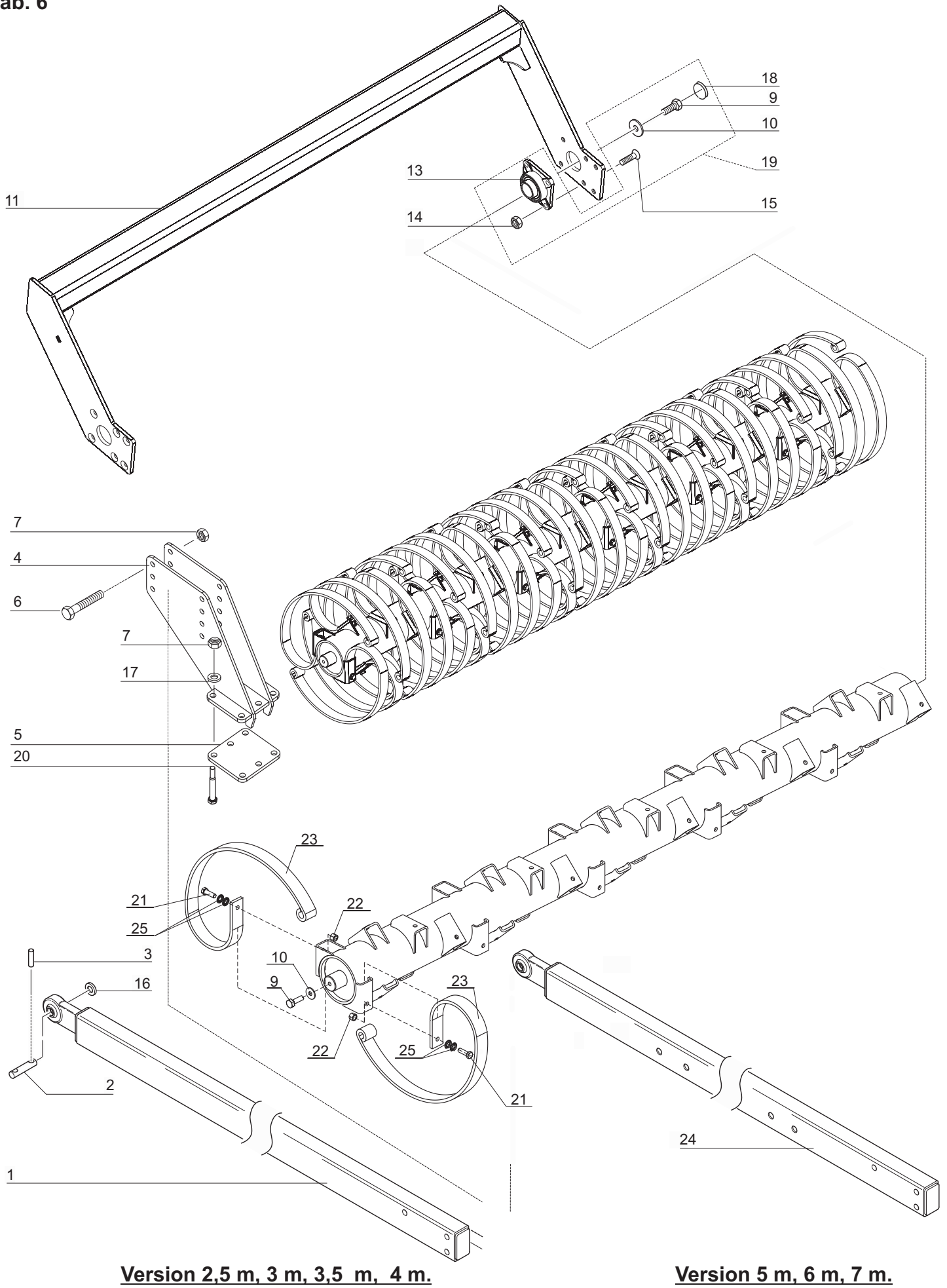
Version 2,5 m, 3 m, 3,5 m, 4 m.

Version 5 m, 6 m, 7 m.

Tab. 5

Fig.	Serial no.	Part no.	Pieces	Notes	
1		71918834612	2/4	Beam kpl.	2,5m,3m,3,5m,4m
2		372003395	2/4	Pin	
3		300323039	4/8	Tension pin	DIN1481 8x50
4		372281800	2/4	Bracket cpl.	550
5		372006238	2/4	Plate	
6		300304077	6/12	Bolt	DIN931 M16x100
7		300316023	18/36	Self-locking nut	DIN985 M16
8		7204005941	1	Max Pack roller	4000
8		7204005921	2	Max Pack roller	4000H
8		7204005931	1/2	Max Pack roller	3000 & 6000H
8		7204005926	1/2	Max Pack roller	2500 & 5000H
8		7204005936	1/2	Max Pack roller	3500 & 7000H
9			2/4	Bolt	DIN933 M12x30
10			2/4	Washer	8x60
11		372209600	1/2	Roller frame	3000 & 6000H
11		372209800	1	Roller frame	4000
11		372209300	2	Roller frame	4000H
11		372209500	1/2	Roller frame	2500 & 5000H
11		372209700	1/2	Roller frame	3500 & 7000H
13			2/4	Bearing	YAR210-2RF
14			12/24	Self-locking nut	DIN985 M16
15			8/16	Screw	DIN7991 M16x50
16		300332035	6/12	Washer	DIN125 25
17		300332009	12/24	Washer	DIN125 17
18			2/4	Closure	
19		372219600	1	Fixation kit for packerroller bearing 9+10+13+14+15+18	kit incl 1+1+1+4+4+1pcs
20		300304276	12/24	Bolt	DIN931 M16x150 10,9
21		372218300	1/2	Scraper frame	3000 & 6000H
21		372218500	1	Scraper frame	4000
21		372217900	2	Scraper frame	4000H
21		372218200	1/2	Scraper frame	2500 & 5000H
21		372218400	1/2	Scraper frame	3500 & 7000H
22		71339216455	4/8	Screw	DIN7991 M16x45
23		372004398	15/19/23/27/31	Scraper	
24		300304042	30/39/46/54/62	Bolt	DIN931 M10x80
25		300316020	30/39/46/54/62	Self-locking nut	DIN985 M10
26		7000546110	30/39/46/54/62	Washer	DIN125 10
27		372277800	4	Beam cpl. STRONG	5m,6m,7m

Tab. 6



Version 2,5 m, 3 m, 3,5 m, 4 m.

Version 5 m, 6 m, 7 m.

Fig.	Serial no.	Part no.	Pieces	Notes	Tab. 6
1		71918834612	2/4	Beam cpl.	2,5m,3m,3,5m,4m
2		372003395	2/4	Pin	
3		300323039	4/8	Tension pin	DIN1481 8x50
4		372161500	2/4	Bracket cpl.	550
5		300004147	4/8	Plate	
6		300304077	6/12	Bolt	DIN931 M16x100
7		300316023	18/36	Self-locking nut	DIN985 M16
8		372430800	1	Vibro Pack roller	4000
8		372430200	2	Vibro Pack roller	4000H
8		372430400	1/2	Vibro Pack roller	3000 & 6000H
8		330020271	1/2	Vibro Pack roller	2500 & 5000H
8		372430600	1/2	Vibro Pack roller	3500 & 7000H
9			2/4	Bolt	DIN933 M12x30
10			2/4	Washer	8x60
11		372209600	1/2	Roller frame	3000 & 6000H
11		372209800	1	Roller frame	4000
11		372209300	2	Roller frame	4000H
11		372209500	1/2	Roller frame	2500 & 5000H
11		372209700	1/2	Roller frame	3500 & 7000H
13			2/4	Bearing	YAR210-2RF
14			8/16	Self-locking nut	DIN985 M16
15			8/16	Screw	DIN7991 M16x50
16		300332035	6/12	Washer	DIN125 25
17		300332009	12/24	Washer	DIN125 17
18			2/4	Closure	
19		372219600	1	Fixation kit for packerroller bearing 9+10+13+14+15+18	kit inc1+1+1+4+4+1pcs
20		300304276	12/24	Bolt	DIN931 M16x150 10,9
21		74000009844	32/40/48/56/64	Bolt	1/2"UNF
22		71209019510	32/40/48/56/64	Nut	
23		101003109	32/40/48/56/64	Spring	
24		372277800	4	Beam cpl. STRONG	5m,6m,7m
25		71209019330	64/80/96/112/128	Washer	12,4x27x1,8

Tab. 7

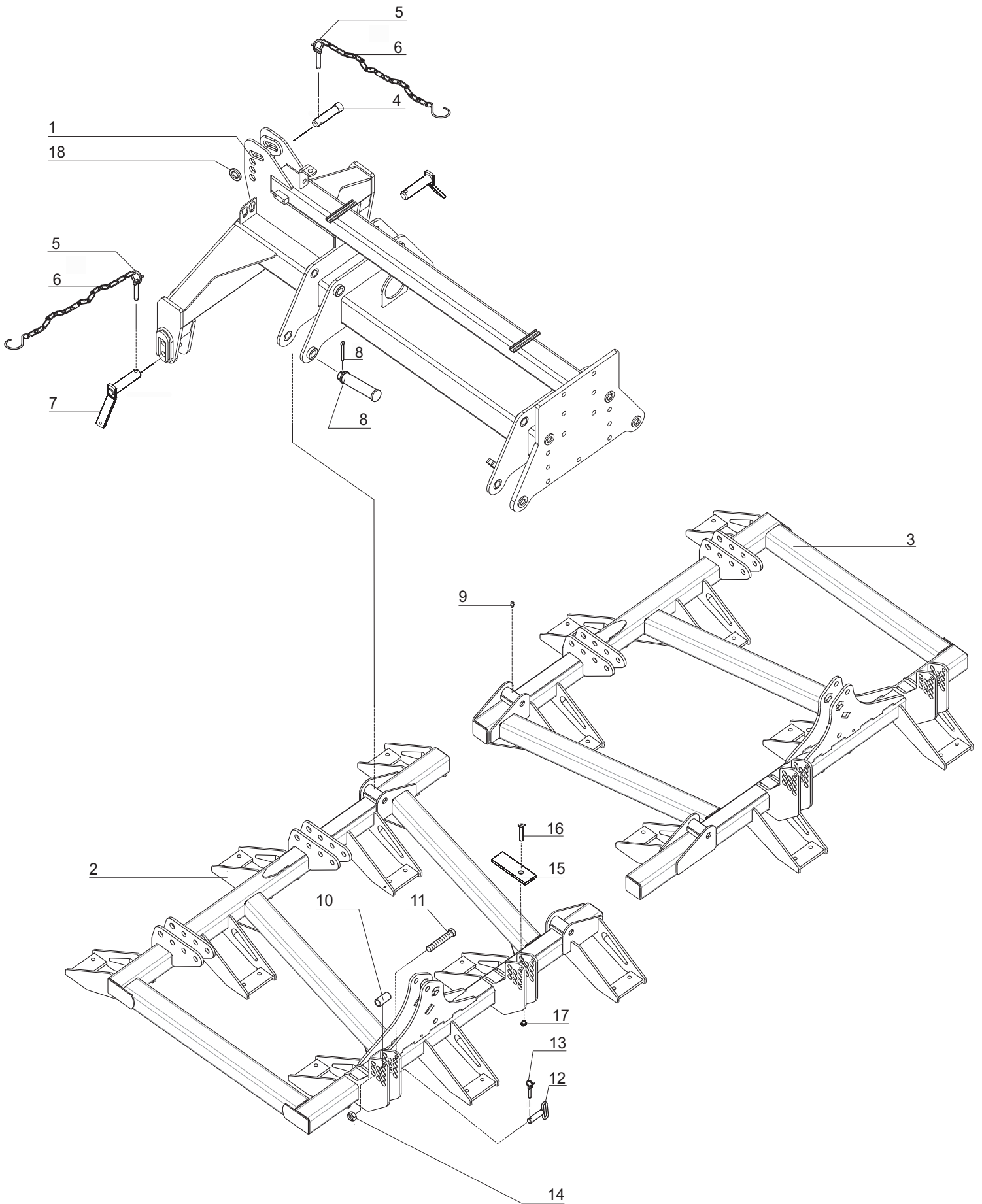


Fig.	Serial no.	Part no.	Pieces	Notes	Tab. 7
1		372286100	1	Central frame	
2		330020543	1	Hinged frame ,left	VF 7440H
2		330020545	1	Hinged frame ,left	VF 7450H
2		330020547	1	Hinged frame ,left	VF 7460H
2		330020549	1	Hinged frame ,left	VF 7470H
3		330020542	1	Hinged frame ,right	VF 7440H
3		330020544	1	Hinged frame ,right	VF 7450H
3		330020546	1	Hinged frame ,right	VF 7460H
3		330020548	1	Hinged frame ,right	VF 7470H
4		71000186791	1	Bolt	
5		300323046	3	Linch pin	11x45
6		71000180109	3	Chain	
7		7201014512	2	Bolt	
8		372353100	6/8	Pin with nut	30x170
9		300421006	4	Grease nipple	M8x1
10		71918839500	4	Pipe	
11		300304078	4	Bolt	DIN931 M16x110
12		71918835904	4	Socket pin	
13		71208014530	4	Linch pin	12x60
14		300316023	4	Self-locking nut	DIN985 M16
15		7201012513	4	Plate	
16		100304023	4	Screw	DIN7991 10x30
17		300316020	4	Self-locking nut	DIN985 M10
18		71000185948	1	Washer	

Tab. 8

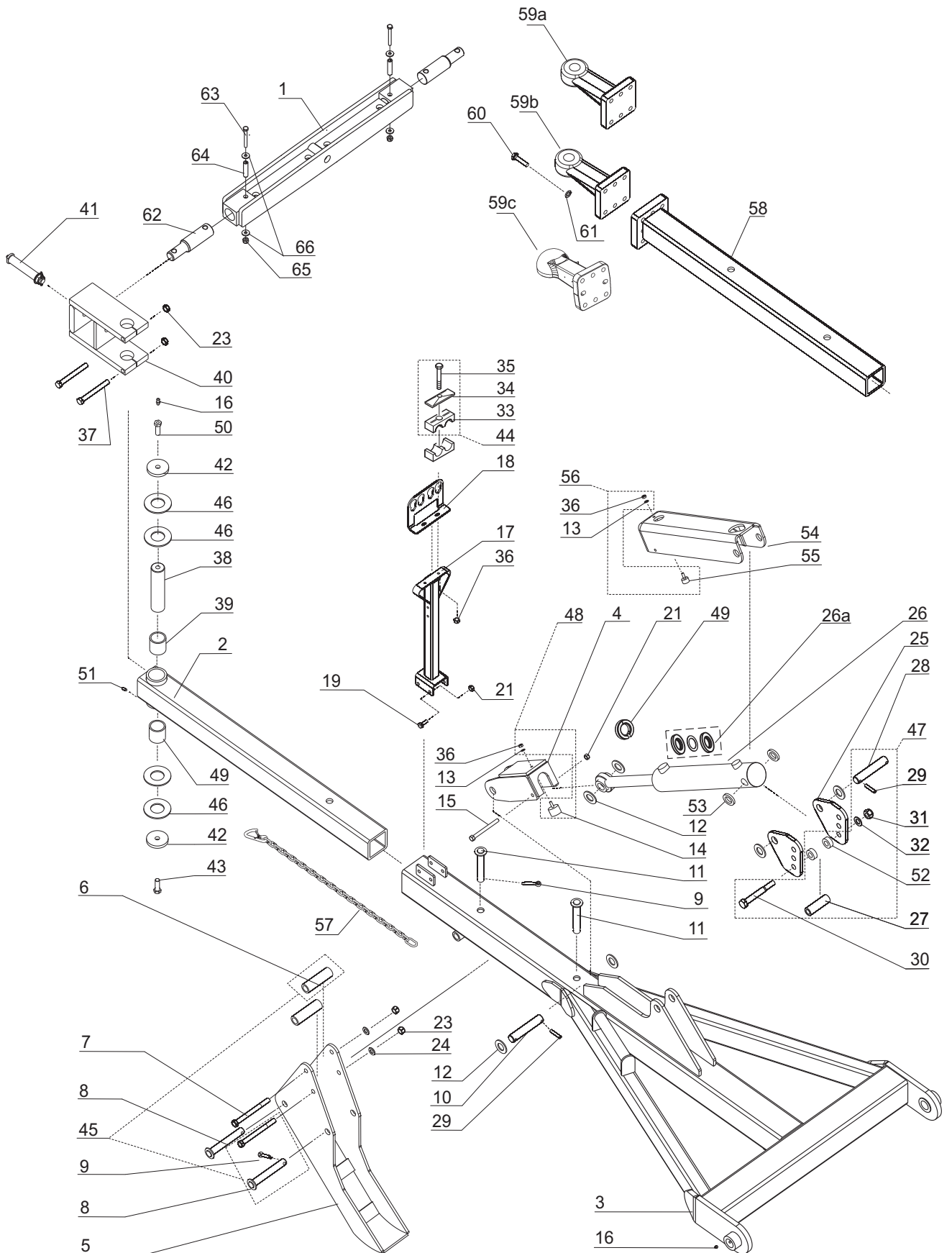
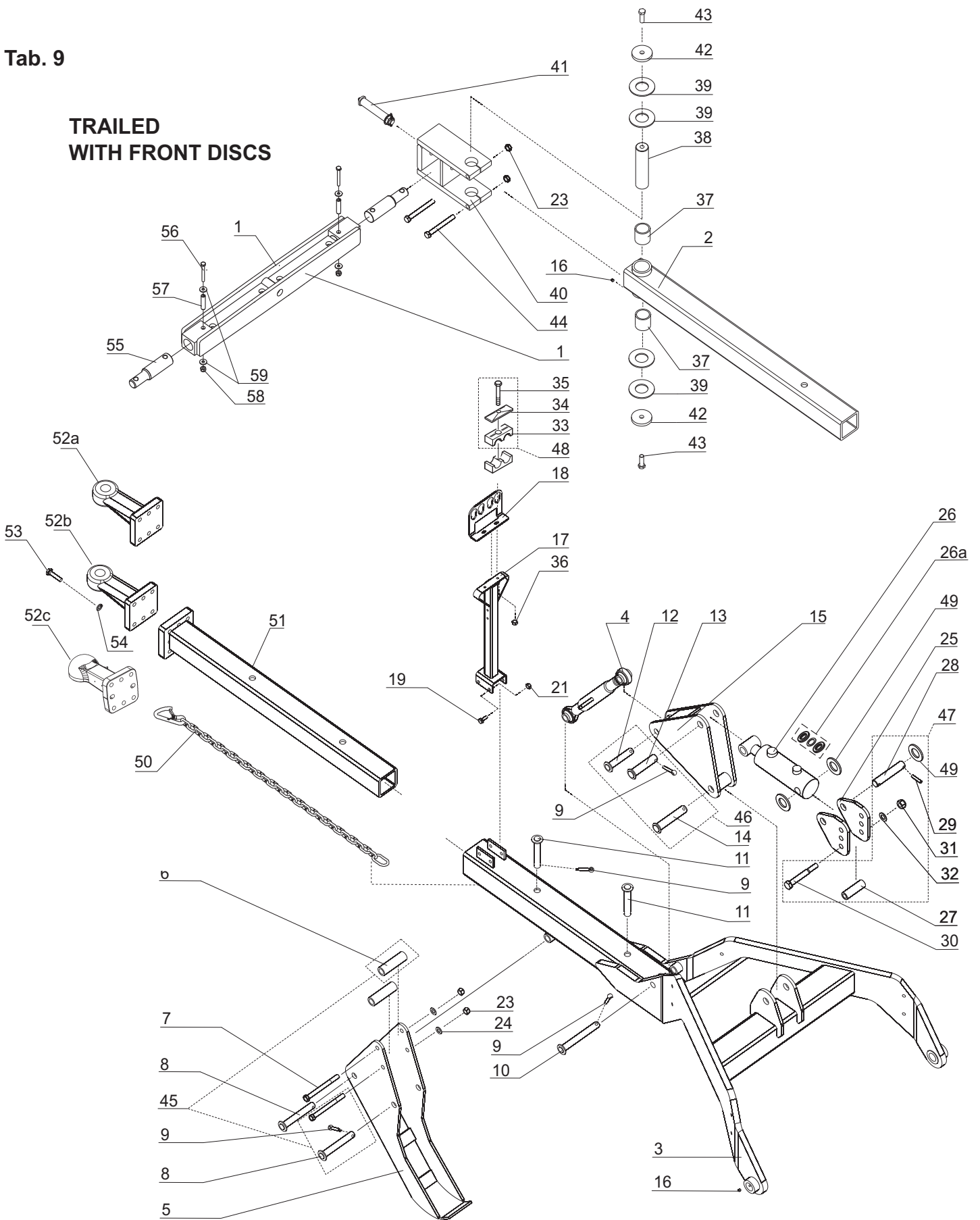


Fig.	Serial no.	Part no.	Pieces	Notes	
1		330020600	1	2-points linkage kat.3	
1		330020750	1	2-points linkage kat.4	
2		372202200	1	Drawbar pin	
3		372266600	1		
4		372239900	1	Protection	
5		372240400	1	Leg	
6			2	Bush	
7			2	Bolt	DIN931M16x170
8			2	Pin	25x155
9	100333031		8	Split pin	DIN94 10x56
10		71918846201	1	Pin	30x155
11		7201011231	1	Pin	25x135
12		300332084	8	Washer	DIN126 M27
13		300332039	1	Washer	DIN126 M8
14			1	Bumper	
15		300304021	1	Bolt	DIN931 M12x130
16		300421006	3	Nipple	M8x1
17		7203301041	1	Holder	
18		7201011248	1	Holder	
19		300304056	4	Bolt	DIN933M12x30
20		300304095	6	Bolt	DIN931 M16x60 10,9
21		300316021	5	Self-locking nut	DIN985 M12
22		300332018	6	Spring washer	DIN127 M16
23		300316023	4	Self-locking nut	DIN985 M16
24		300332009	2	Washer	DIN126 M16
25		7201011451	2	Plate	
26		300007876	1	Hydraulic cylinder	
26a		300007877	-	Seal kit for 300007876	
27			2	Bush	10x30
28			1	Pin	30x197
29			4	Spring pin	DIN1481 10x50
30			2	Bolt	DIN931 M20x180
31			2	Self-locking nut	DIN985 M20
32			2	Washer	DIN126 M20
33			4	Holder	
34			2	Cover	
35			2	Bolt	DIN931 M8x60
36		300316027	3	Self-locking nut	DIN985 M8
37		300304089	2	Bolt	DIN931 M16x140 10,9
38		372004941	1	Axel	
39		7201011429	2	Bush	
40		372243200	1	Holder	
41		7203302030	1	Spring pin with nut	30x140
42		7201011421	2	Washer	
43		300304085	1	Bolt	DIN933 M16x1,5x35
44		372166100	1	Fixation kit for holder 33+34+35	kit incl 2+1+1pcs
45		372165700	1	Fixation kit for pin 6+7+8+9	kit incl 1+1+1+1pcs
46		372004939	4	Washer	
47		372280200	1	Fixation kit for pin 27+28+29+30+31+32+52	kit incl 2+1+2+2+2+2+2pcs
48		372166500	1	Fixation kit for bumper 13+14+36	kit incl 1+1+1pcs
49		372006227	-	Clip	L=19
49		372006228	2	Clip	L=25
49		372006229	-	Clip	L=33
50		372006043	1	Special bolt	M16x1,5x35
51		300322007	1	Screw	DIN551 M8x1x12
52		372006216	2	Bush	20x40x20
53		372005456	2	Bush	30x49x8
54		372279900	1	Cover	
55			1	Bumper	
56		372280300	1	Fixation kit for bumper 13+36+55	kit incl 1+1+1pcs
57		300360800	1	Safety chain 8T (for French market)	
58		7201011212	1	Drawbar pipe	
59a		7201011213	1	Hook	40mm
59b		300007625	1	Hook	50mm
59c		372006208	1	Towing eye	80mm
60		300304095	6	Bolt	DIN931 M16x60 10.9
61		300332018	6	Spring washer	DIN127B 16
62		330020303	2	Pin cat. 3	
62		330020344	2	Pin cat. 4	
63		300304196	2	Bolt M10x85	DIN 933 8.8
64		300323119	2	Spring pin 16x70	ISO 8752 DIN 1481
65		300316020	2	Lock nut M10	DIN 985 8.8
66		300332043	4	Washer 10	DIN9021 17

Tab. 9

**TRAILED
WITH FRONT DISCS**



Tab. 9

Fig.	Serial no.	Part no.	Pieces	Notes	
1		330020600	1	2-points linkage kat.3	
1		330020750	1	2-points linkage kat.4	
2		372202200	1	Drawbar pipe	
3		7201011246	1	Drawbar	
4		71000180361	1	Spindle	
5		7201011244	1	Leg	
6			2	Bush	
7			2	Bolt	DIN931 M16x170
8			2	Pin	25x155
9		100333031	8	Split pin	DIN94 10x56
10		7201011229	1	Pin	25x185
11		7201011231	2	Pin	25x135
12			1	Pin	25x115
13			1	Pin	30x115
14			1	Pin	30x139
15			1	Bracket	
16		300421006	3	Nipple	M8x1
17		7203301041	1	Holder	
18		7201011248	1	Holder	
19		300304056	4	Bolt	DIN933 M12x30
20					
21		300316021	4	Self-locking nut	DIN985 M12
22					
23		300316023	4	Self-locking nut	DIN985 M16
24		300332009	2	Washer	DIN126 M16
25		7201011451	2	Plate	
26		7210000102	1	Hydraulic cylinder	705.100 HOW1.FO
26a		372117900	-	Seal kit	
27			2	Bush	10x30
28			1	Pin	30x155
29			2	Spring pin	DIN1481 10x50
30			2	Bolt	DIN931 M20x150
31			2	Self-locking nut	DIN985 M20
32			2	Washer	DIN126 M20
33			4	Holder	
34			2	Cover	
35			2	Bolt	DIN931 M8x60
36		300316027	2	Self-locking nut	DIN985 M8
37		7201011429	2	Bush	
38		372004941	1	Axel	
39		372004939	4	Washer	
40		372243200	1	Holder	
41		7203302030	1	Spring pin with nut	30x140
42		7201011421	2	Washer	
43		300304085	2	Bolt	DIN933 M16x1,5x35
44		300304089	2	Bolt	DIN931 M16x140 10,9
45		372165700	1	Fixation kit for pin kit. 6+7+8+9	kit incl 1+1+1+1pcs
46		372165800	1	Fixation kit for pin kit. 9+12+13+14	kit incl 3+1+1+1pcs
47		372165900	1	Fixation kit for pin kit. 27+28+29+30+31+32	kit incl 2+1+2+2+2+2pcs
48		372166100	1	Fixation kit for holder 33+34+35	kit incl 2+1+1pcs
49		300332084	4	Washer	DIN126 M27
50		300360800	1	Safety chain 8T (for French market)	
51		7201011212	1	Drawbar pipe	
52a		7201011213	1	Hook	40mm
52b		300007625	1	Hook	50mm
52c		372006208	1	Towing eye	80mm
53		300304095	6	Bolt	DIN931 M16x60 10.9
54		300332018	6	Spring washer	DIN127B M16
55		330020303	2	Pin cat. 3	
55		330020344	2	Pin cat. 4	
56		300304196	2	Bolt M10x85	DIN 933 8.8
57		300323119	2	Spring pin 16x70	ISO 8752 DIN 1481
58		300316020	2	Lock nut M10	DIN 985 8.8
59		300332043	4	Washer 10	DIN9021

Tab. 10

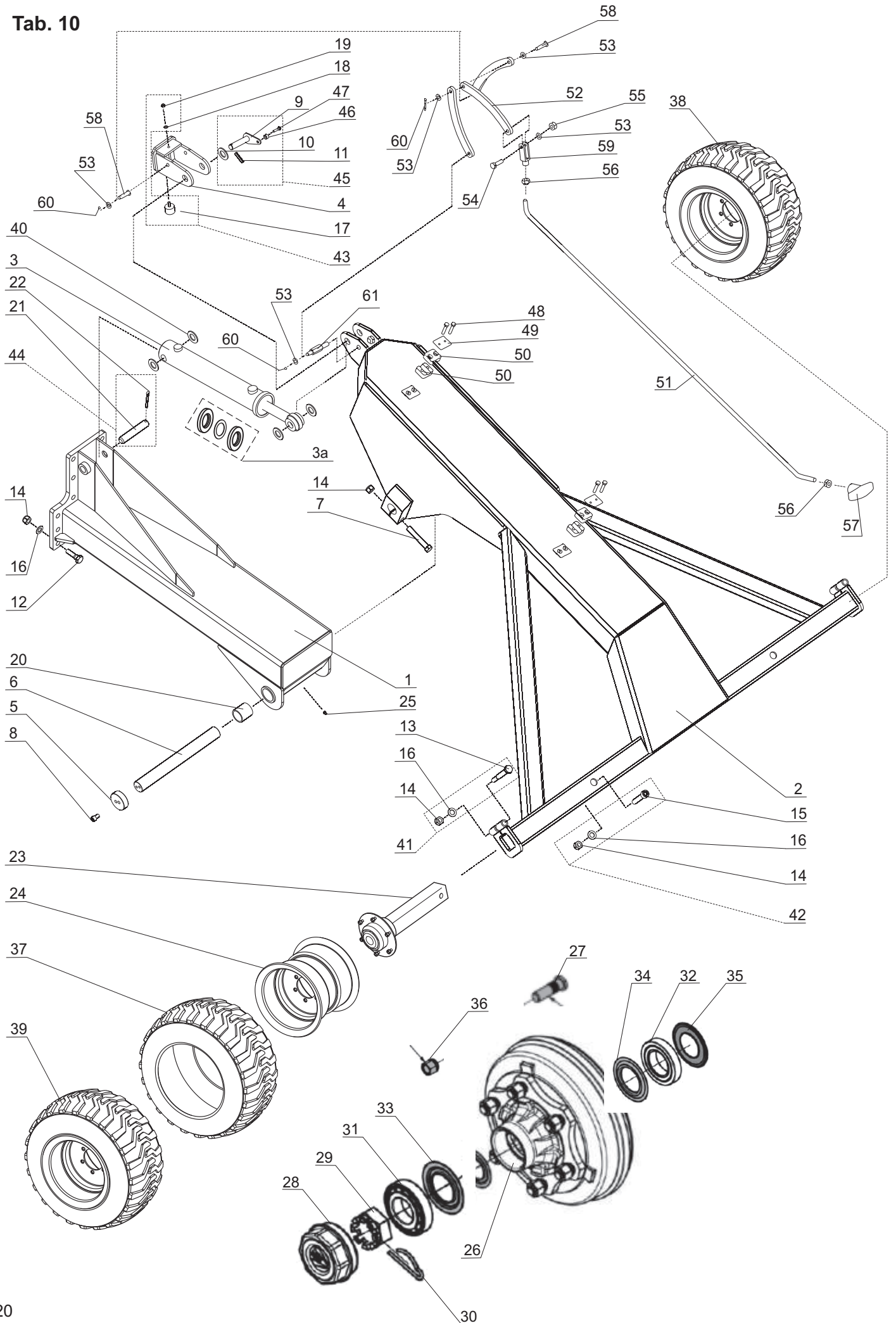


Fig.	Serial no.	Part no.	Pieces	Notes	
1		7201011433	1	Chassis connector	
2		7201011415	1	Chassic	
3		330100001	1	Hydraulic cylinder	
3a		330100002	-	Seal kit for 330100001	
4		372279300	1	Protection	
5		372006344	2	Washer	
6		372006343	1	Axel	
7		200214920	2	Bolt	DIN931M20x120
8		71360412300	4	Bolt	DIN912 M12x30
9			1	Pin	30x155
10			1	Washer	DIN126 M30
11			1	Spring pin	DIN1481 10x50
12		300304108	1	Bolt	DIN931 M20x65
13			1	Bolt	DIN931 M20x160
14		300316016	2	Self-locking nut	DIN985 M20
15			2	Bolt	DIN933 M20x12010,9
16		300332034	1	Washer	DIN126 M20
17			1	Bumper	
18			1	Washer	DIN126 M8
19			1	Self-locking nut	DIN985 M8
20		7201011429	2	Bearing	50x60x60
21			1	Pin	
22			1	Pin	10x30
23		7203304012	2	Wheels axle	
24		71209067600	1	Rim (13.00x17 6/161/205 ET-0)	
24		301010016	1	Rim (16.00x17 6/161/205 ET-0)	
25		300421001	1	Nipple	M10x1
26		372003583	-	Hub	
27			-	Wheel stud	
Cpl:		372003579	1	Kit 27	kit incl 12 pc
28			-	Cap	
Cpl:		372003587	1	Kit 28	kit incl 2 pcs
29			-	Crown nut	
30			-	Spring pin	
Cpl:		372003588	1	Kit 29+30	kit incl 4+4 pcs
31			-	Bearing	
32			-	Bearing	
Cpl:		372003586	1	Kit 31+32	kit incl 1+1 pcs
33			-	Nilos ring	
34			-	Nilos ring	
35			-	Oil seal	
Cpl:		372003585	1	Kit 33+34+35	kit incl 2+2+2 pcs
36			-	Wheel nut	
Cpl:		372003581	1	Kit 36	kit incl 1pcs
37		372005154	1	Tyre 380/55-17	138/125A8SG Flotation
37		301010015	1	Tyre 480/45-17	
38		372257200	1	Wheel 380/55-17SG Flotation right	
38		301010014	1	Wheel 480/45-17 SG Flotation right	
39		372257300	1	Wheel 380/55-17SG Flotation left	
39		301010013	1	Wheel 480/45-17 SG Flotation left	
40		300332084	4	Washer	DIN126 M27
41		372166300	1	Fixation kit for bolt 13+14+16	kit 1+1+1pcs
42		372166400	1	Fixation kit for bolt 14+15+16	kit incl 1+1+1pcs
43		372166500	1	Fixation kit for bumper 17+18+19 kit incl 1+1+1pcs	
44		372166600	1	Fixation kit for pin 21+22	kit incl 1+1pcs
45		300393900	1	Fixation kit for pin 9+10+11+47+46	kit incl 1+1+1+1+1pcs
46		300007825	1	Bush	
47		300304037	1	M10x45	M10x45 DIN933
48		300304143	4	M6x20	DIN933
49		372006027	2		
50		71207027351	4	Handle for hydraulik pipe	
51		300007816	1	Push rod	
52		300007807	3	Lever	
53		300332039	5	Washer	
54		300304155	1	Screw	
55		7000582608	1	Nut	
56		300316020	2	Nut	
57		300007124	1	Handle	
58		300007809	2	Bolt	
59		370006155	1	Fork	
60		100333009	3	Cotter	
61		300007808	1	Pivot of arm	

Tab. 11

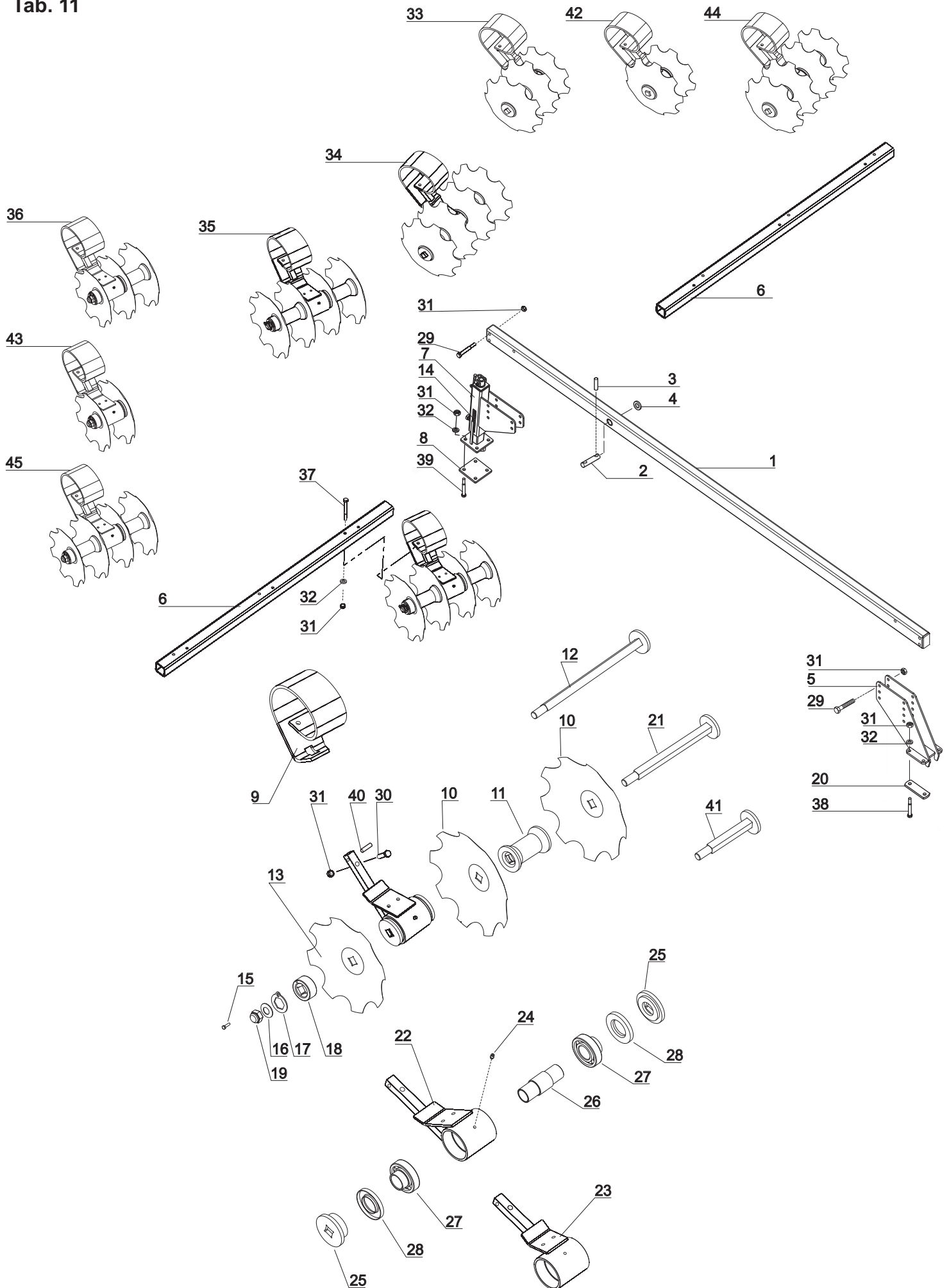
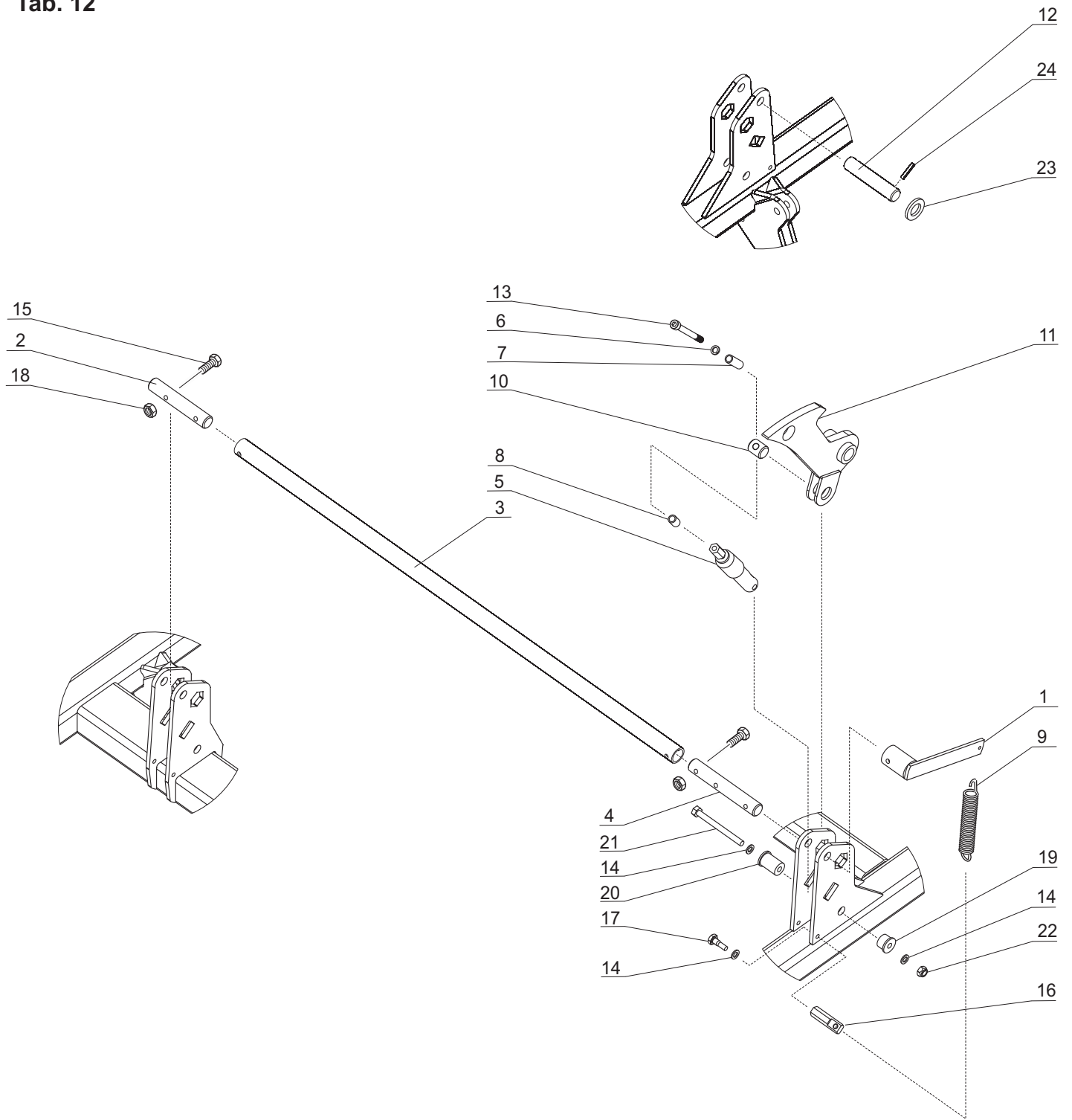
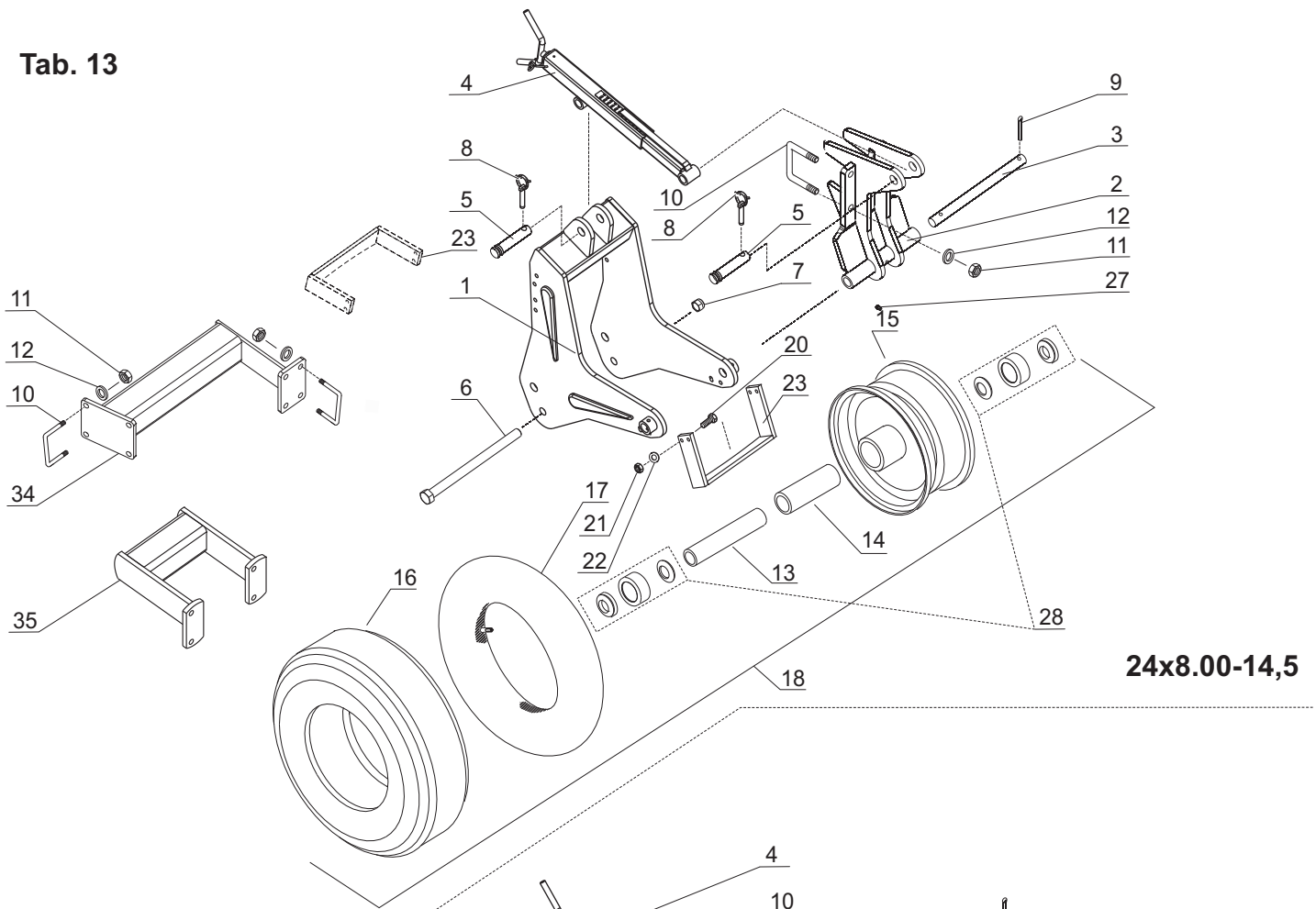


Fig.	Serial no.	Part no.	Pieces	Notes	Tab. 11
1		372200700	4	Beam kpl. - front discs	550-PACKER
2		372003392	4	Pin	
3		300323010	8	Tension pin	DIN1418 10x50
4		300332037	8	Washer	DIN126 M30
5		372161500	4	Bracket kpl.	550
6		7201011326	2	Disc beam	L=2000
6		7201011322	2	Disc beam	L=2500
6		7201011318	2	Disc beam	L=3000
6		7201011315	2	Disc beam	L=3500
7		372200600	4	Spindle	
8		7201011301	4	Plate	M16
9		105150055	6/8/10	Type VFM	
10		7201003209	-	Disc	D=460
11		7202302003	1	Distance bushing	
12		7201003213	2	Square axle	L=670
13		7201003208	1	Disc	D=410
14		700TT30579	4	Sticker	
15		300304155	6/8/10	Bolt	DIN933 M8x25
16		7202302007	6/8/10	Spring washer	60x30,5x2,5
17		7202302005	6/8/10	Lock washer	
18		7202302006	6/8/10	Ring	
19		300316044	1	Self-locking nut	DIN985 M30x2
20		300004147	8	Plate	
21		7201003212	-	Square axle	L=480
22		7201003103	3/4/5	Bearing housing	
23		7201003104	3/4/5	Bearing housing	
24		300421009	6/8/10	Lubricating nipple	M10x1
25		7201003105	12/16/20	Ring	
26		7201003092	6/8/10	Axle	
27		7201003094	12/16/20	Bearing	
28		7201003090	1	Seal ring	110x60x13
29		300304077	20	Bolt	DIN931 M16x100
30		300304305	6/8/10	Bolt	DIN931 M16x65 10,9
31		300316023	60/58/76	Self-locking nut	DIN985 M16
32		300332047	28/32/36	Washer	M16
33		371119900	1	End discs section	4m,7m
34		371117700	2/3/4	Middle discs section	
35		371117800	2/3/4	Middle discs section	
36		371120100	1	End discs section	4m,7m
37		300304304	12/16/20	Bolt	DIN931 M16x120 10,9
38		200215446	16	Bolt	DIN931 M16x150
39		300304088	16	Bolt	DIN931 M16x130
40		300323103	1	Tension pin	12x60 DIN1481
41		371238200	-	Square axle	L=290
42		371238300	1	End discs section	5m
43		371238400	1	End discs section	5m
44		371117500	1	End discs section	6m
45		371117600	1	End discs section	6m

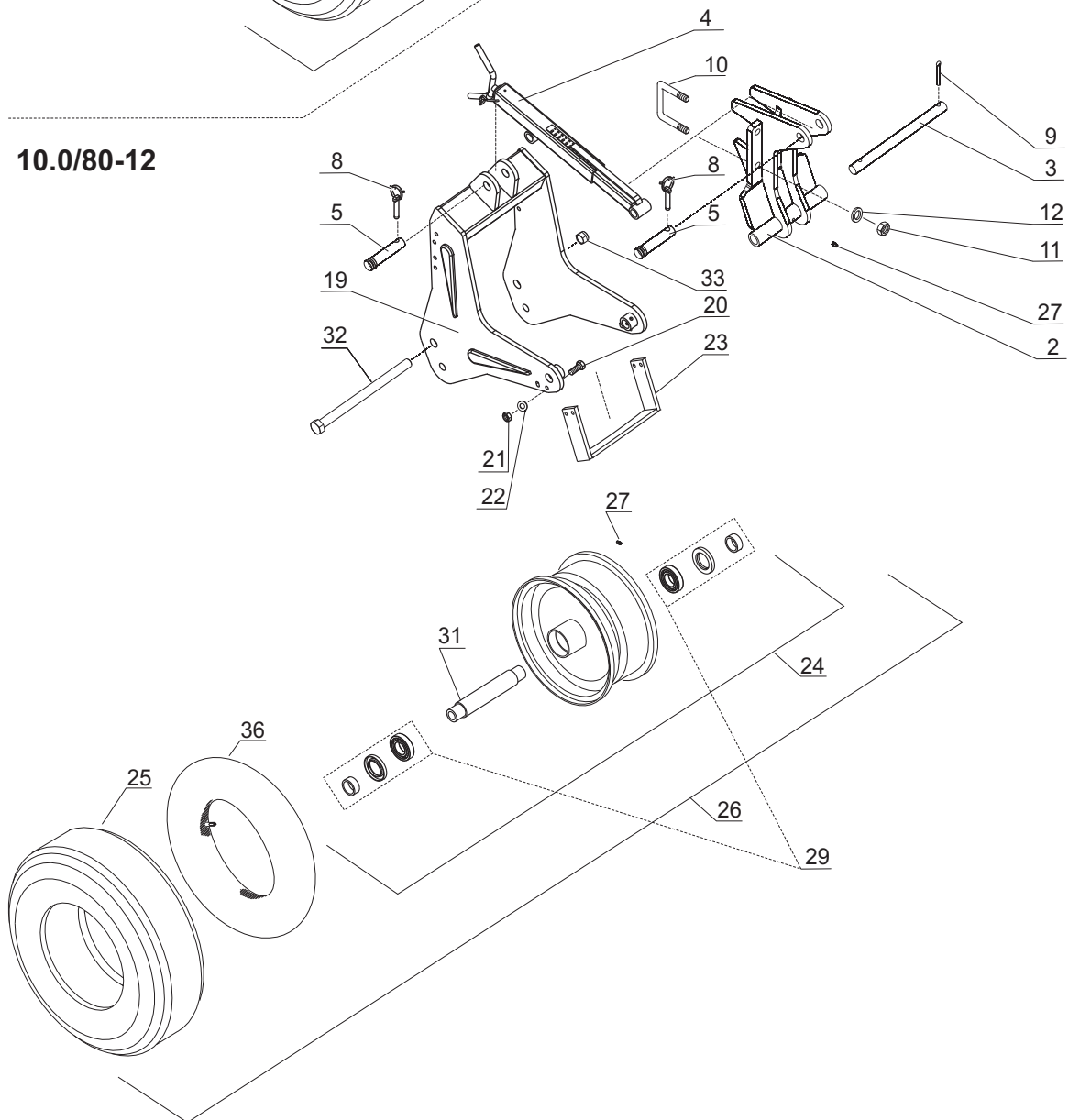
Tab. 12



Tab. 13



10.0/80-12



Tab. 14

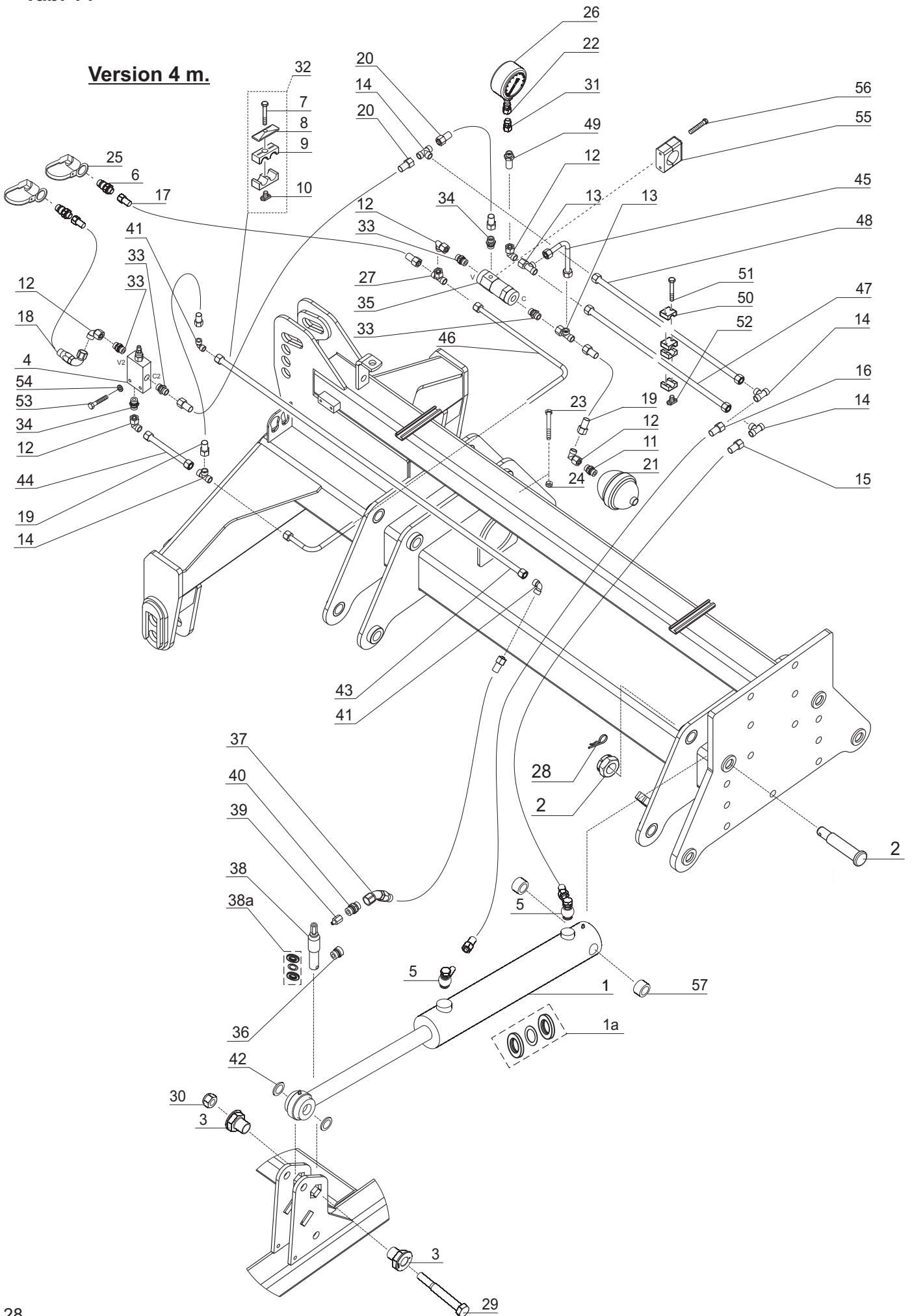


Fig.	Serial no.	Part no.	Pieces	Notes	
1		300007876	2	Hydraulic cylinder	
1a		300007877	-	Seal kit for 300007876	
2		372353100	6	Pin with nut	30x170
3		7201014405	4	Cylinder Plug	
4		372004999	1	Valve	
5		7000405785	4	Elbow	
6		7210000125	2	Adapter plug	
7			2	Bolt	DIN933 M6x35
8			2	Cover	
9			4	Holder	
10			2	Profil nut	
11		372003543	1	Coupling	
12		71202079363	5	Hydr. Coupling-L	
13		7210000165	2	Hydr. coupling-T	
14		7210000105	4	T-fitting	
15		372003458	2	Hydr. pipe	L=600
16		372005114	2	Hydr. pipe	L=900
17		372003460	1	Hydr. hose	L=1500
18		372005164	1	Hydr. hose	L=1500
19		7210000104	2	Hydr. hose	L=500
20		372005144	2	Hydr. hose	L=300
21		372003461	1	Accumulator	
22		372003622	1	Coupling	
23		300304162	1	Bolt	DIN931 M8x60
24		300316027	1	Self-locking nut	DIN985 M8
25		7000600399	2	Parking bush (red)	
26		372003621	1	Manometr	
27		300037400	1	Hydr. coupling-T	
28		71208010860	6	Splint pin	DIN94 5x50
29		300304123	2	Bolt	DIN931 M24x2x120
30		300316012	2	Self-locking nut	DIN985 M24x2
31		372003627	1	Coupling	
32		372166900	1	Fixation kit for holder 7+8+9+1 - kit incl 1+1+2+1pcs	
33		372004192	4	Nipple M18x1.5 / 1/2"	
34		372004193	1	Nipple M18x1.5 / 1/4"	
35		372004191	1	Reversing valve	
36		301044215	1	Breather	3/8"
37		372006210	1	Hydraulical hose	L=1500
38		330020073	1	Hydraulic cylinder	
38a		301044020	-	Seal kit for 330020073	
39		371002554	2	Coupling	
40		71202079060	2	Coupling	
41		7000405834	2	Elbow	
42		372006212	4	Washer	33x45x2
43		372005132	1	Hydraulical pipe	L=1180
44		372005152	1	Hydraulical pipe	L=170
45		372005149	1	Hydraulical pipe	
46		372005151	1	Hydraulical pipe	
47		372005124	1	Hydraulical pipe	L=1250
48		372005125	1	Hydraulical pipe	L=1230
49		71202079340	1	Coupling	
50		71208004430	1	Clamp	
51		500031879	1	Bolt	DIN931 M6x85
52		372005153	1	Profil nut	M6
53		300304160	2	Bolt	DIN933 M8x50
54		300332039	2	Washer	DIN126 M8
55		372005252	1	Clamp	D=42
56		300304147	2	Bolt	DIN931 M6x70
57		372005455	4	Bush	L=13

Tab. 15

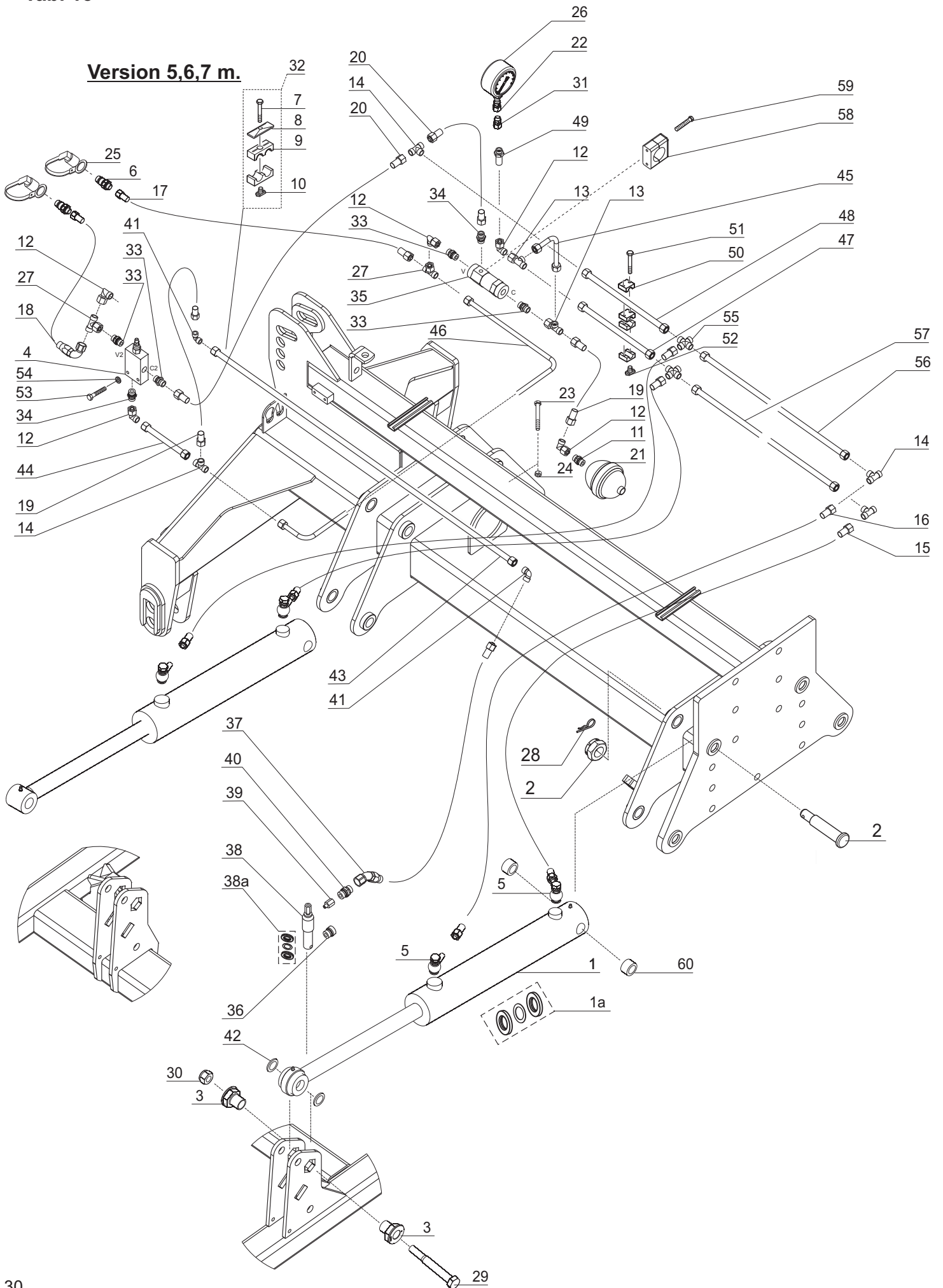


Fig.	Serial no.	Part no.	Pieces	Notes	Tab. 15
1		300007876	4	Hydraulic cylinder	5m,6m
1		300007874	4	Hydraulic cylinder	7m
1a		300007877	-	Seal kit for 300007876	
1a		300007875	-	Seal kit for 300007874	
2		372353100	8	Pin with nut	30x170
3		7201014405	4	Cylinder Plug	
4		372004999	1	Valve	
5		7000405785	8	Elbow	
6		7210000125	2	Adapter plug	
7			2	Bolt	DIN933 M6x35
8			2	Cover	
9			4	Holder	
10			2	Profil nut	
11		372003543	1	Coupling	
12		71202079363	5	Hydr. Coupling-L	
13		7210000165	2	Hydr. coupling-T	
14		7210000105	4	T-fitting	
15		372003458	4	Hydr. pipe	L=600
16		372005114	4	Hydr. pipe	L=900
17		372003460	1	Hydr. hose	L=1500
18		372005164	1	Hydr. hose	L=1500
19		7210000104	2	Hydr. hose	L=500
20		372005144	2	Hydr. hose	L=300
21		372003461	1	Accumulator	
22		372003622	1	Coupling	
23		300304162	1	Bolt	DIN931 M8x60
24		300316027	1	Self-locking nut	DIN985 M8
25		7000600399	2	Parking bush (red)	
26		372003621	1	Manometr	
27		300037400	1	Hydr. Coupling-T	
28		71208010860	6	Splint pin	DIN94 5x50
29		300304123	2	Bolt	DIN931 M24x2x120
30		300316012	2	Self-locking nut	DIN985 M24x2
31		372003627	1	Coupling	
32		372166900	1	Fixation kit for holder 7+8+9+1	kit incl 1+1+2+1pcs
33		372004192	4	Nipple M18x1.5 / 1/2"	
34		372004193	1	Nipple M18x1.5 / 1/4"	
35		372004191	1	Reversing valve	
36		301044215	1	Breather	3/8"
37		372006210	1	Hydraulical hose	L=1500
38		330020073	1	Hydraulic cylinder	
38a		301044020	-	Seal kit for 330020073	
39		371002554	2	Coupling	
40		71202079060	2	Coupling	
41		7000405834	2	Elbow	
42		372006212	8	Washer	33x45x2
43		372005132	1	Hydraulical pipe	L=1180
44		372005152	1	Hydraulical pipe	L=170
45		372005149	1	Hydraulical pipe	
46		372005151	1	Hydraulical pipe	
47		372005129	1	Hydraulical pipe	L=280
48		372005128	1	Hydraulical pipe	L=320
49		71202079340	1	Coupling	
50		71208004430	1	Clamp	
51		500031879	1	Bolt	DIN931 M6x85
52		372005153	1	Profil nut	M6
53		300304160	2	Bolt	DIN933 M8x50
54		300332039	2	Washer	DIN126 M8
55		372005113	2	Coupling	
56		372005127	1	Hydraulical pipe	L=880
57		372005126	1	Hydraulical pipe	L=940
58		372005252	1	Clamp	D=42
59		300304147	2	Bolt	DIN931 M6x70
60		372005456	8	Bush	L=13 5m,6m
60		372005455	8	Bush	L=8 7m

Tab. 16

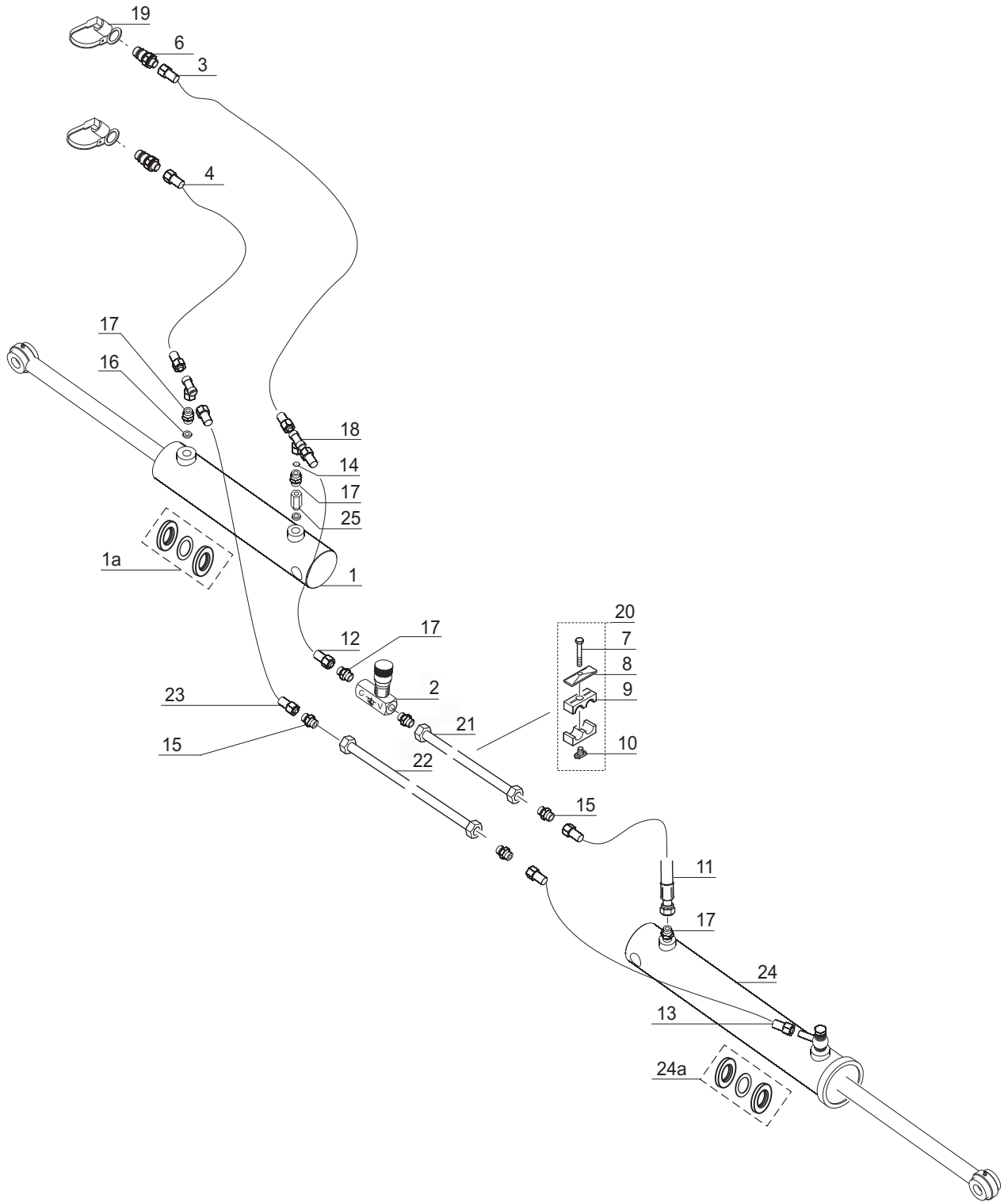
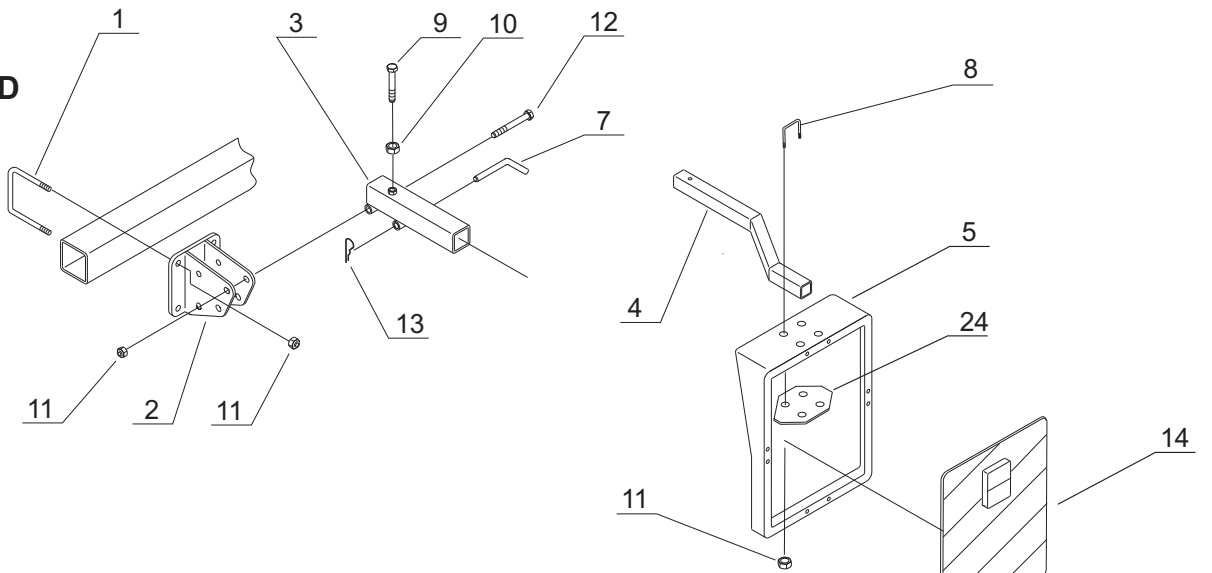


Fig.	Serial no.	Part no.	Pieces	Notes	
1		300007876	1	Hydraulic cylinder	
1a		300007877	-	Seal kit for 300007876	
2		7000401210	1	Valve	
3		372005454	1	Hydr. hose	L=4200
4		7210000101	1	Hydr. Hose	L=3700
5		7000405785	1	Elbow	
6		7210000125	2	Adapter plug	
7			2	Bolt	DIN933 M6x40
8			2	Cover	
9			4	Holder	
10			2	Profil nut	
11		7210000104	2	Hydr. hose	L=500
12		372005361	1	Hydr. hose	L=650
13		71202077973	1	Hydr. hose	L=800
14		372006164	1	Reducer	2/12
15		71202079364	3	Coupling	
16		7000406120	5	Washer	
17		71202079060	5	Coupling	
18		300037400	2	Hydr. Coupling-T	
19		7000600398	2	Parking bush (yellow)	
20		372166900	1	Fixation kit for holder 7+8+9+1	kit incl 1+1+2+1pcs
21		372005123	1	Hydr. pipe	L=1120
22		71202079367	1	Hydr. pipe	L=1300
23		7210000123	1	Hydr. hose	L=1000
24		330100001	1	Hydraulic cylinder	
24a		330100002	-	Seal kit for 330100001	
25		372006231	1	Coupling	

Tab. 17

FULL MOUNTED



TRAILED

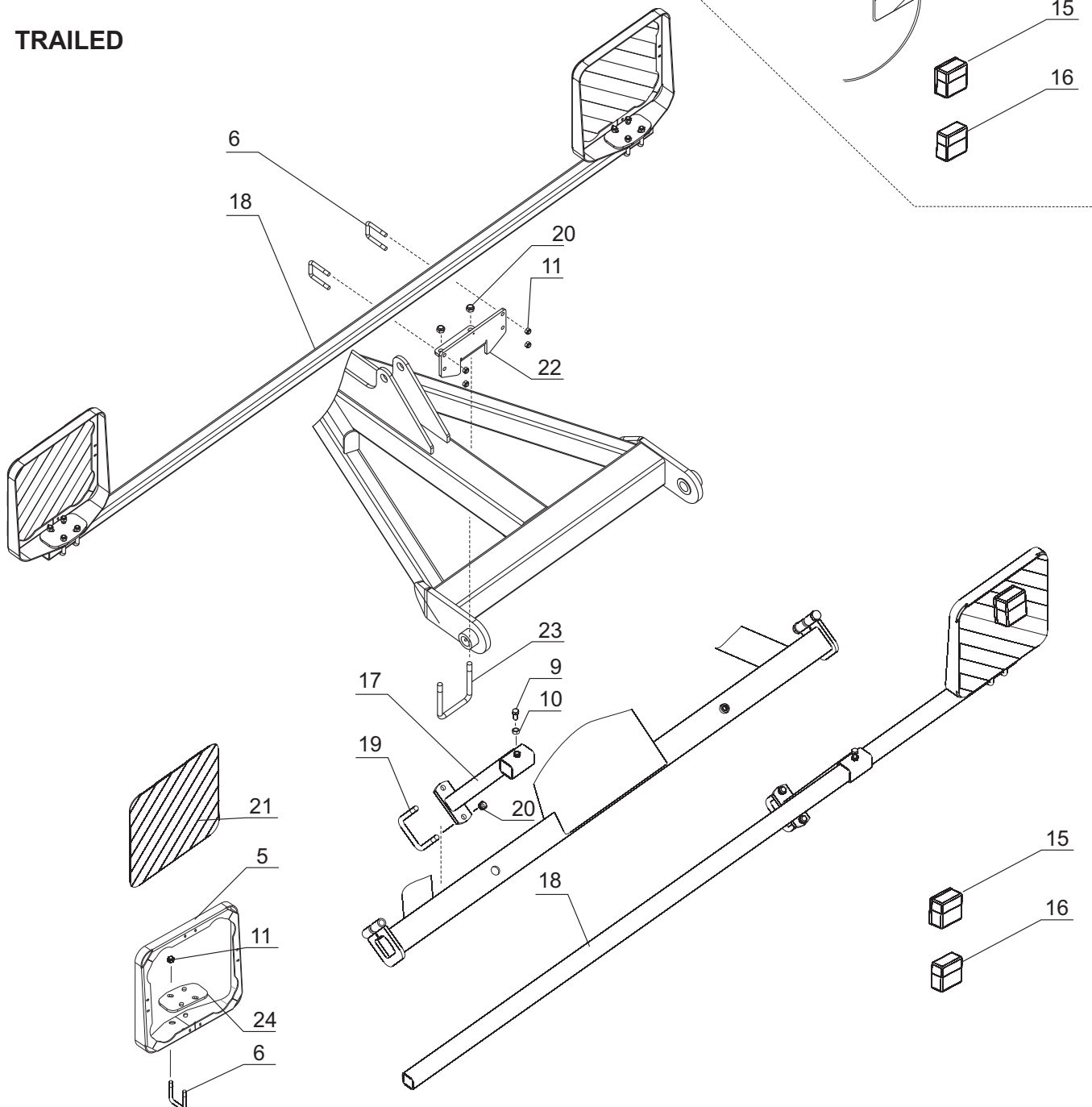
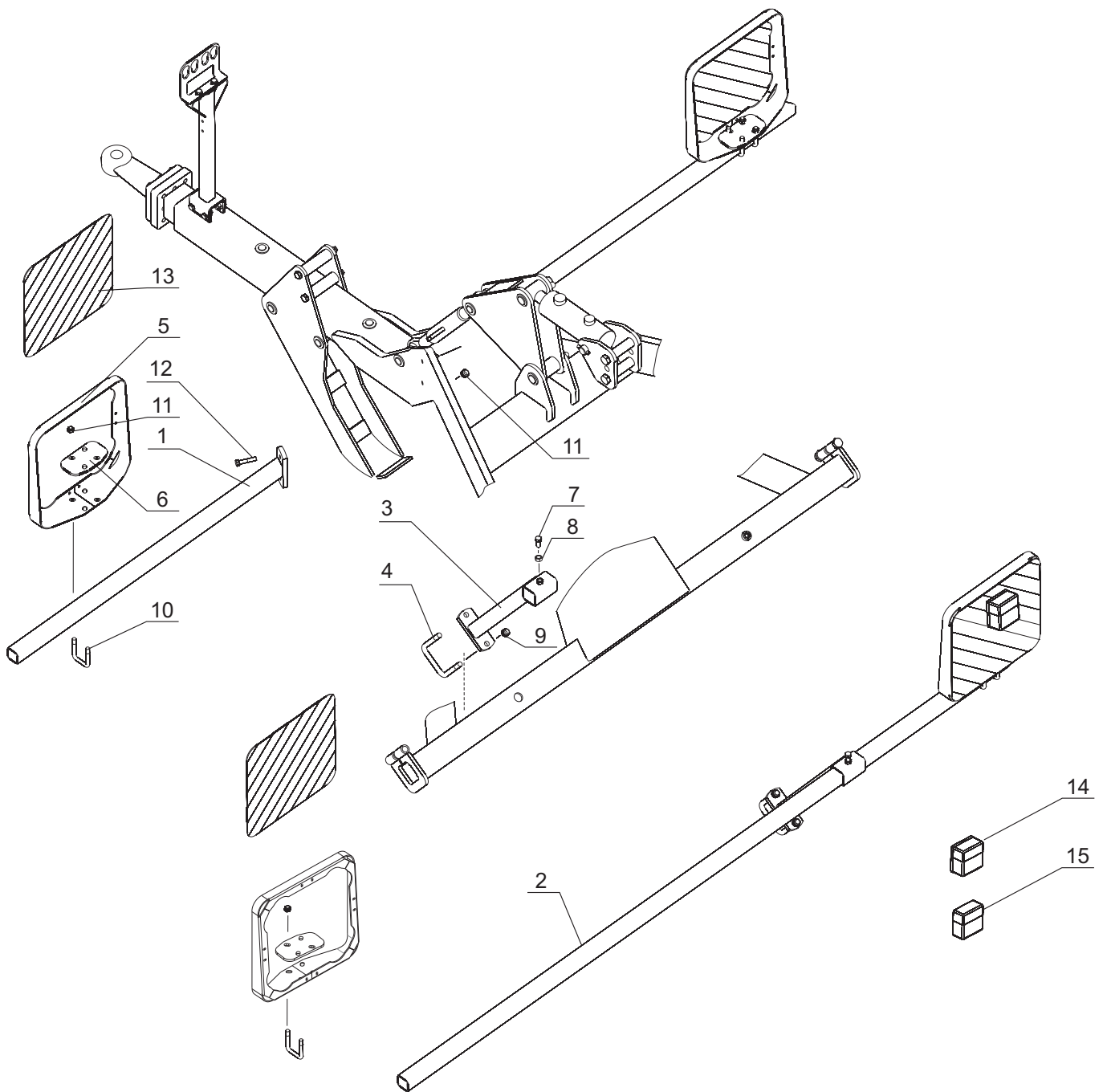
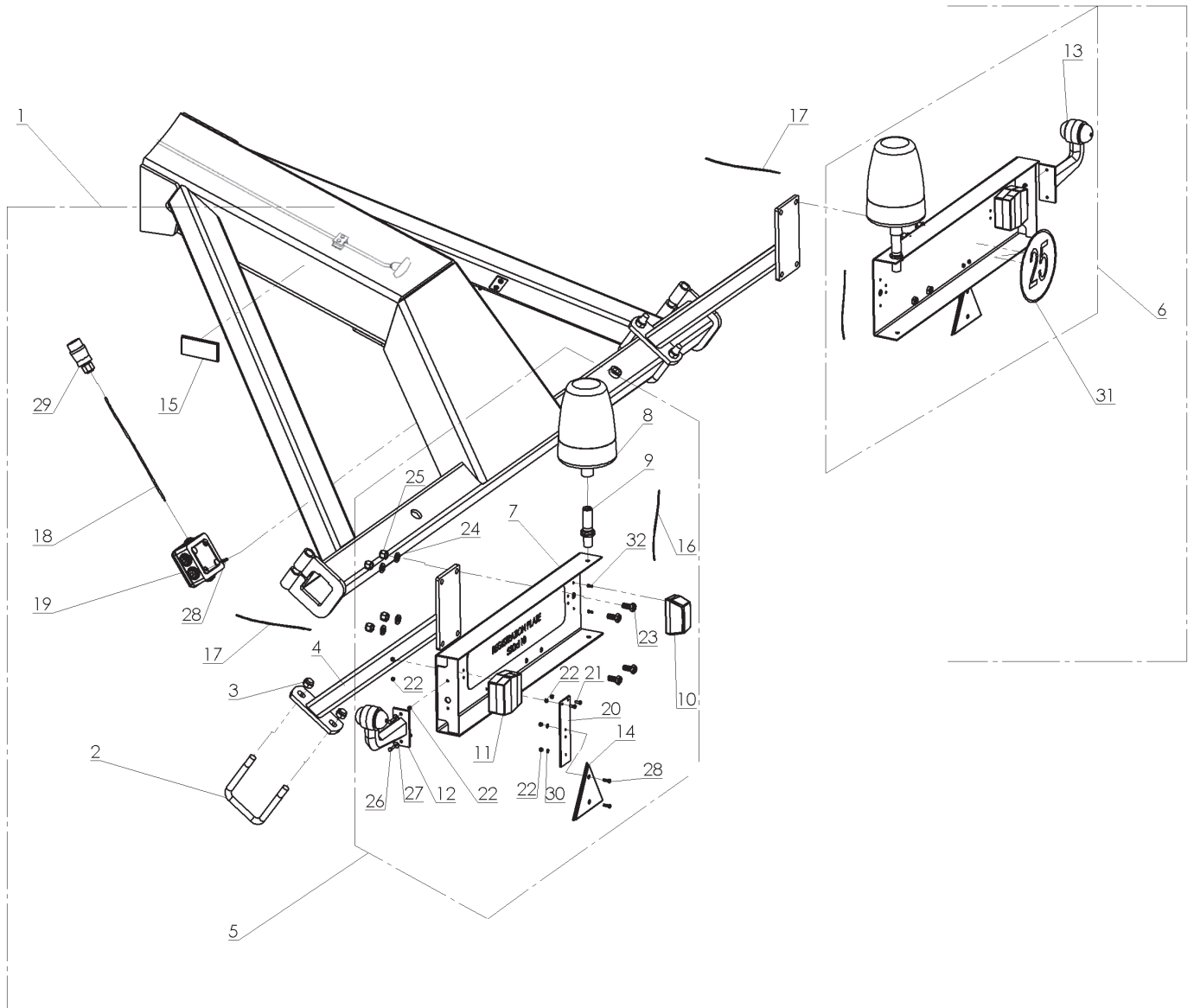


Fig.	Serial no.	Part no.	Pieces	Notes	Tab. 17
1		7203307007	4	U-bolt	M12
2		7203307012	2	Frame holder	
3		7203307011	2	Arm	
4		7203307016	2	Pipe	
5		7203307002	2/4	Lamp frame	
6		7002156661	8/10	U-bolt	M12
7		7203307017	2	Pin	
8		7203307005	4	U-bolt	M12
9		300304056	2/2	Bolt	DIN931 M12x30
10		300315003	2	Nut	DIN934 M12
11		300316021	10/20	Self locking nut	DIN985 M12
12		300304066	2	Bolt	DIN933 M12x80
13		300333065	1	Split pin	A71
14		300061200	1	Set of warning lamp	
15		372175100	1	Lamp cpl.	
16		372003959	1	Glass of lamp	
17		7201014473	2	Rear holder	
18		7201014471	2	Pipe	
19		7002156620	2	U-bolt	M16
20		300316023	6	Self locking nut	DIN985 M16
21		372155800	1	Set of warning lamp	
22		372005185	1	Light holder	
23		200056502	1	U-bolt	M16
24		372006209	2/4	Plate	

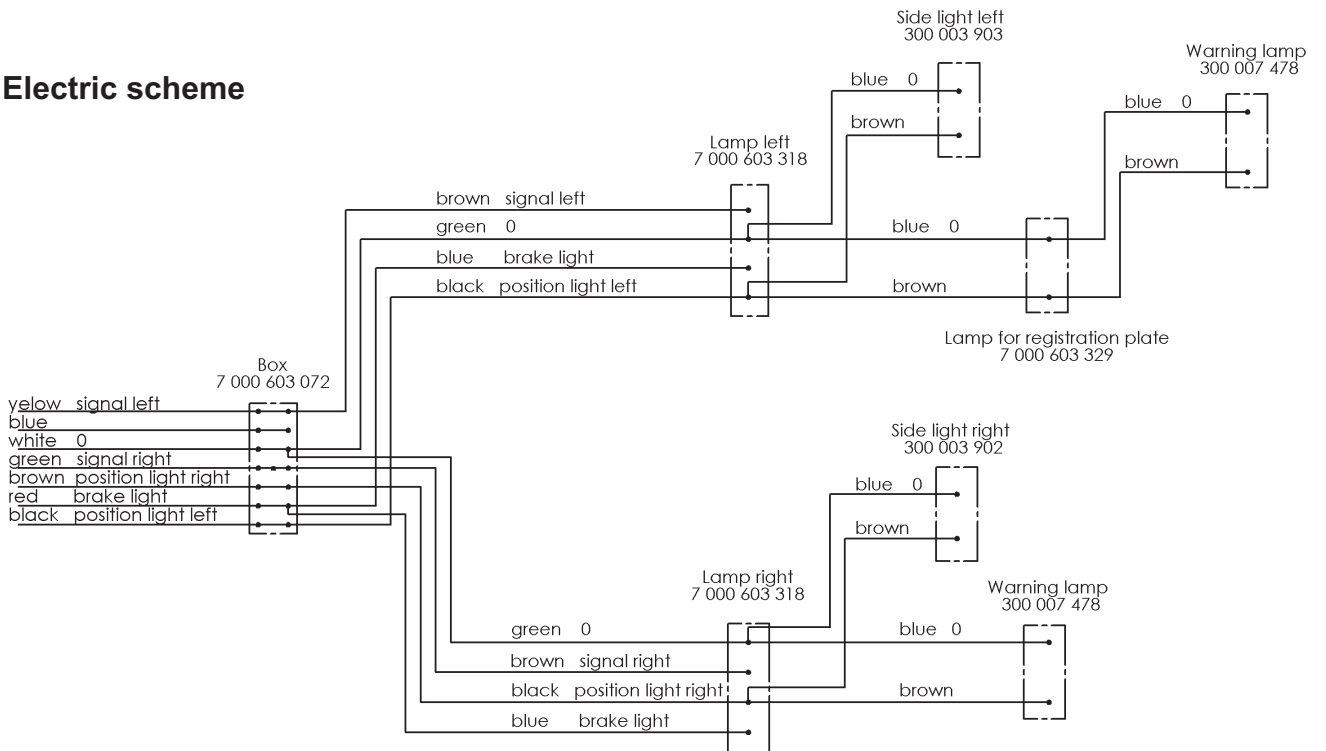
**TRAILED
WITH FRONT DISCS**



TRAILED (FOR FRENCH MARKET)



Electric scheme



Tab. 19

Fig.	Serial no.	Part no.	Pieces	Notes	
1		300007513	1	Light kit cpl.	
2		7002156620	2	U-bolt	M16
3		300316023	4	Self locking nut	DIN985 M16
4		300007505	2	Light holder	
5		300007512	1	Light kit left	
6		300007511	1	Light kit right	
7		300007498	2	Light plate	M16
8		300007478	2	Warning light	
9		300007477	2	Warning light holder	
10		7000603329	1	Number plate light	
11		7000603318	2	Rear light	
12		300003903	1	Side light left	
13		300003902	1	Side light right	
14		500053263	2	Slow moving sign	
15		600475131	8	Yellow reflector	
16		300007517	2	Electric wire	2x0,75
17		300007515	2	Electric wire	4x0,75
18		300007521	1	Electric wire	7x0,75
19		7000603072	1	Junction box	
20		300007499	2	Triangle holder	
21		100323134	4	Bolt	DIN933 M5x12
22		300316025	16	Self locking nut	DIN985 M5
23		300304055	8	Bolt	DIN933 M12x25
24		300332008	8	Washer	DIN126 M12
25		300316021	8	Lock nut	DIN985 M12
26		300304129	4	Bolt	DIN933 M5x20
27		300332073	4	Washer	DIN9021 M5
28		300308004	8	Screw	DIN84 M5x16
29		7000018142	1	Plug socket	
30		300332050	4	Washer	DIN126 M5
31		300007514	1	Stick	
32		7000603333	2	Screw	M4x10

Hydraulic brake (for French market)

WITH FRONT DISCS

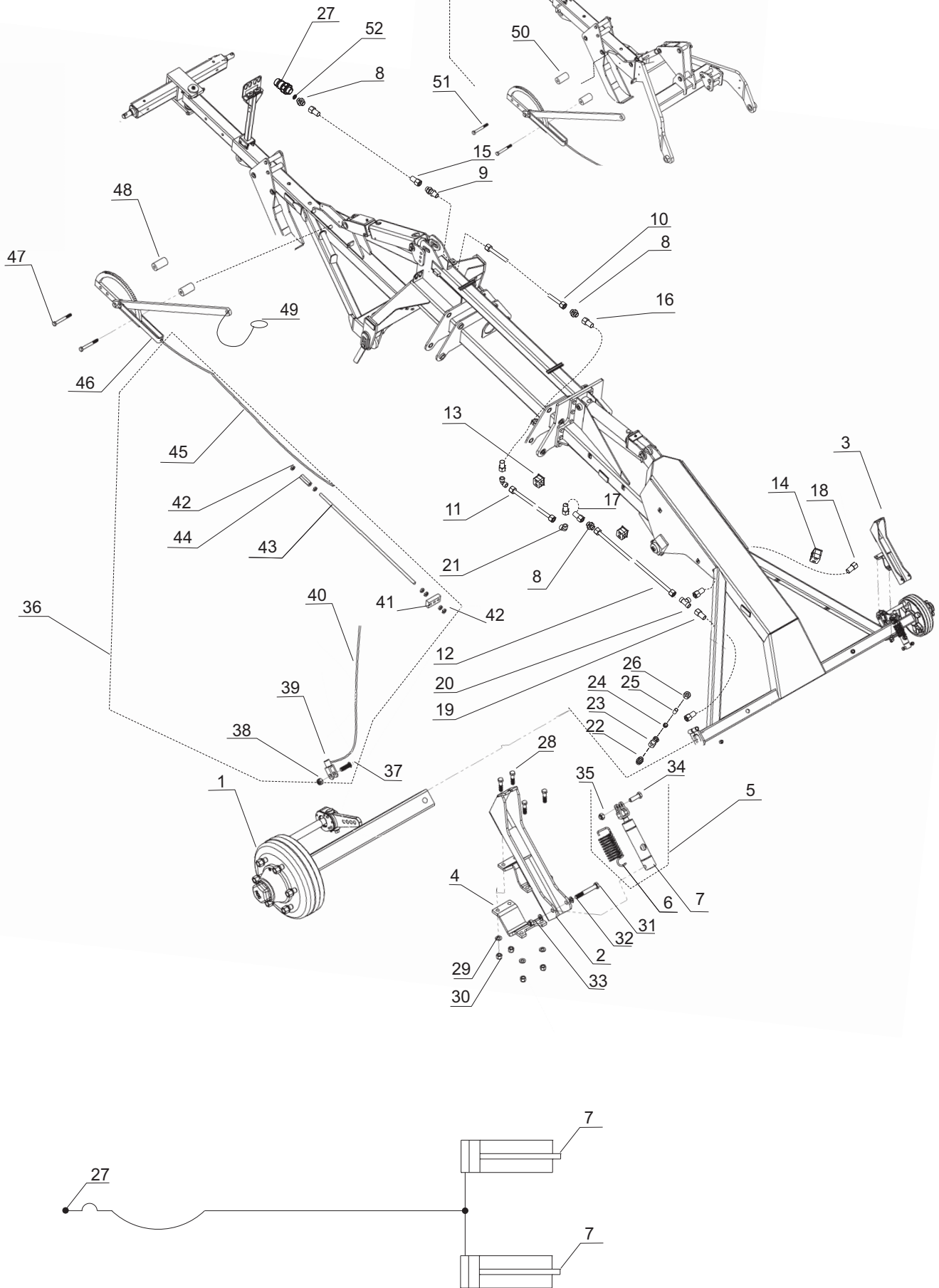


Fig.	Serial no.	Part no.	Pieces	Notes	
1		300362500	2	Wheel axle with brake	
2		300375500	1	Left brake bracket	
3		300375400	1	Right brake bracket	
4		300007648	2	Holding brake attachment	
5		300007661	2	Hydraulic brake cylinder with spring	
6		300007662	2	Hydraulic brake cylinder	
7		300007663	2	Braking spring	
8		71202079364	3	Coupling	M18x1,5
9		71202079340	1	Coupling	M18x1,5
10		372006033	1	Hydraulic pipe	L=1380mm
11		372006034	1	Hydraulic pipe	L=550mm
12		372006035	1	Hydraulic pipe	L=750mm
13		372006027	4	Clamp	d=12mm
14		372006028	4	Clamp	d=18mm
15		300007584	1	Hydraulic hose	L=4700mm
16		300007589	1	Hydraulic hose	L=800mm
17		300007588	1	Hydraulic hose	L=1000mm
18		300007586	1	Hydraulic hose	L=1750mm
19		300007587	1	Hydraulic hose	L=1500mm
20		7210000105	1	Coupling - T	M18x1,5
21		7000405834	2	Elbow	
22		71202079060	2	Coupling	G3/8 x M18x1,5
23		7210000165	2	Coupling - T	M18x1,5
24		71202049420	2	Ring	
25		372006041	2	Plug	
26		71202039800	2	Nut	M18x1,5
27		372006037	1	Brake plug	
28		300304060	8	Bolt	DIN931 M12x50 8.8
29		300332008	8	Washer	DIN126 M12
30		300316021	8	Lock nut	DIN985 M12
31		300304684	2	Bolt	DIN931 M14x100 10.9
32		300332008	4	Washer	DIN126 M12
33		71307214305	2	Lock nut	DIN980V M14
34		100323364	2	Bolt	M14x1,5x43
35		100316085	2	Nut	M14x1,5
36		300360900	1	Lines kit cpl.	
37		71301414455	2	Bolt	DIN933 M14x45
38		300316031	2	Lock nut	DIN985 M14
39		300007964	2	Holder	
40		300007963	2	Cable with Bowden	
41		300007962	1	Wire holder	
42		300315001	6	Nut	DIN934 M10
43		300007960	1	Screw rod	
44		300007961	1	Special nut	
45		300007965	1	Cable with Bowden	
46		300007556	1	Hand brake lever	
47		300304197	2	Bolt	DIN931 M10x60
48		300007582	2	Bush	
49		300007760	1	Cord for hand brake cpl	
50		300007582	2	Bush	
51		300304042	2	Bolt	DIN931 M10x80
52		300007684	1	Washer - restriction	

