

Delta Flex and Vibro Flex 7400

A blue tractor is pulling a red Kongskilde stubble cultivator through a field of harvested crops. The cultivator has multiple rows of tines and is labeled 'KONGSKILDE VIBRO FLEX 7400'. The background shows a clear sky and a line of trees in the distance.

# Delta Flex and Vibro Flex 7400

Stubble cultivators with  
rigid or vibrating tines

# Stubble cultivation



## What is obtained by correct stubble cultivation?

### **Incorporation of straw and field residues**

- Quick decomposition due to the mixing of both straw and plant residues with the soil
- Utilizing the moisture in the soil just after harvest
- Establish an optimal climate for microbes to work in

### **Establishment of a stale seedbed for germination of weed seeds**

- Shallow cultivation directly after harvest will encourage lost seeds and weed seeds to germinate
- Seedbed preparation for establishing intermediate crops such as mustard, oil radish etc.
- No slug nutrition

### **Preparation of a seedbed in mulch tillage systems**

- Creation of a seedbed before the drilling operation
- Breaking down the soil pan allows moisture and nutrients access to the root zone.
- Cultivation depth in relation to the amount of residues on the field

### **Level out wheel marks**

- Working depth can be adjusted to suit particular depth of wheel tracks
- Improved seed placement and germination is obtained
- Improved boom stability during spraying increases capacity
- Reduced tractor operator fatigue

### **Weed control**

- Dry out weeds by pulling them to the soil surface
- Possible to set the working depth according to which type of weed seeds are to be eliminated





# Common platform



VF 7460 HT

## Common platform offers flexibility

### Main advantages:

- Reliable heavy duty construction
- Blockage-free operation through large frame clearance and tine spacing
- Safe access for wearing part replacement when wings folded to vertical
- Wing pressure system allows machine to follow field contours
- Simple adjustment of the working depth by pin/hole system
- Changing the working depth has no effect on the levelling system settings after basic adjustment
- Transport wheels at the rear for safe road transport
- Reduced soil compaction on headlands through wide profile transport tyres
- Modular frame construction allows later conversion from mounted to trailed version
- The common platform allows working depths up to 25 cm

### Specification (fully mounted)

- Rigid versions in 2,5 – 3,0 - 3,5 - 4,0 m
- Hydraulic folding in 2 sections for 4,0 - 5,0 – 6,0 m versions (Vibro Flex 7400), 4,0 – 5,0 m versions (Delta Flex)

- Under frame clearance of 800 mm
- 100x100 mm box sections
- Symmetrical tine pattern
- 2,5 m transport width for hydraulic folding versions
- Automatic hydraulic wing lock system
- Hydraulic pressure on the wings in work
- Category 3 attachment

### Specification (trailed)

- Foldable versions in 4,0 – 5,0 – 6,0 – 7,0 m
- Hydraulic folding in 2 sections
- Under frame clearance of 800 mm
- 100x100 mm box sections
- Symmetrical tine patterns
- 3,0 m transport width
- Automatic hydraulic wing lock system
- Hydraulic pressure on the wings during work
- Swivel hitch attachment Cat. 3 with telescopic drawbar
- Wide flotation tyres (15.0/55-17)
- Front wheels
- Category 2 / 3 attachment
- Wide low flotation tires (15.0/55-17)
- Front wheels



Safe road transport. VF 7440 H.



Automatic hydraulic wing lock system.



DF 4000 H

# Delta Flex



DF 4000 H

## Rigid tine stubble cultivator

### Main advantages:

- Rigid tines ensure an even working depth
- Working depths from 6 - 25 cm in one pass
- Fitted with wing shares a full cut across the entire working width is achieved
- Without wing shares fitted, deeper loosening down to 25 cm is possible in one pass
- Optimal mixing of straw and residues is the result of the special curved stems, which encourage a rolling soil action
- Release force of 400 kg on the tip of the point
- High release clearance of 25 cm
- Easy conversion from shearbolt to non-stop version

### Benefit for the user:

- Delta Flex is a heavy duty cultivator for conventional stubble cultivation and mulch tillage
- Possibility of shallow cultivation with a full width cut or deeper tillage up to 25 cm

- The special design of the Delta Flex tine ensures optimal cutting and mixing of soil and residues for a quick decomposition process

### Specification

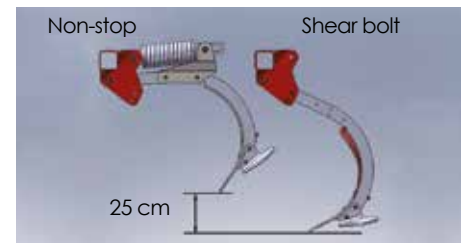
- 3 rows of rigid C-shaped tines
- Non-Stop or shearbolt tine overload system
- 310 mm tine spacing
- 80 mm point and 350mm wing shares
- Working depths from 6 – 25 cm in one pass
- High quality shares made from hardened boron steel
- Fully mounted version in 2,5 – 3,0 – 3,5 - 4,0 - 5,0 m working widths
- Trailed version in 4,0 – 5,0 – 6,0 - 7,0 m working widths
- Front wheels standard on widths from 4,0 – 7,0 m



C-shaped Delta Flex tine.



Optimal mixing of soil and residues.



High ground clearance during release of the stem.



DF 4000 H



# Vibro Flex 7400



VF 7460 HT

## Vibrating tine stubble cultivator

### Main advantages:

- The constantly-vibrating Vibro Flex tines leave an open soil structure
- An extra crumbling effect is obtained, as the soil breaks up in the natural fracture lines
- 4 rows of tines for a more intensive mixing of field residues with soil in one pass
- Heavy duty VFM-spring with built-in backwards and sideways overload protection
- Constant working depth as share point always operates directly under the fine flex point
- Working depths from 6 – 15 cm in one pass and up to 25 cm in the following pass
- Wide range of heavy duty high quality shares

### Benefit for the user:

- All-round cultivator for both conventional stubble and mulch tillage operations
- Optimal cultivation and mixing in working depths up to 15 cm.
- Low horsepower requirements combined with fuel savings through use of vibrating tines
- Improved water passages both up and downwards
- Low maintenance requirements

### Specification

- 4 rows of genuine Kongskilde Vibro Flex Mixing tines
- 11 cm reversible ultra mulching shares or 26 cm wide mixing shares
- 230 mm tine spacing
- 800 mm frame clearance
- Symmetrical tine pattern
- Fully mounted version in 2,5 – 3,0 – 3,5 - 4,0 – 5,0 – 5,8 m working widths
- Trailed version in 4,0 – 5,0 – 5,8 – 7,0 m working widths
- Front wheels standard on widths from 5,0 – 7,0 m



Vibro Flex Mixing fine (VFM).



4 rows of tines for a more intensive mixing of soil and field residues.



Constantly-vibrating tines.



VF 7440 H

# Equipment for Delta Flex and Vibro Flex 7400



## Levellers

Intensive levelling of the soil after the cultivator fine section is the premium criterion for quality reconsolidation. For the Delta Flex and Vibro Flex 7400 ranges Kongskilde offers 2 options for levelling.

### Disc leveller

- Constant and blockage-free rotation.
- One-step depth adjustment together with the cultivation depth
- Frame connection via Kongskilde VTH spring, acting as suspension
- Further mixing of plant residues with soil for quicker decomposition.
- Mounted in sections, with 2 Ø460mm notched discs on each section.
- Spindle depth adjustment

### Hockey stick leveller

- Cheaper alternative to disc leveller.
- 2 hockey stick fines connected to VTH spring
- Levelling the soil after the cultivator fines enabling rear roller to leave a level surface.

## Rear rollers

For Delta Flex and Vibro Flex 7400 Kongskilde offers 3 types of rear roller. Consistent soil compaction after cultivation ensures a fast germination of weed seeds and lost grains. Good contact between soil and plant residues provides optimum conditions for quick decomposition.

## Max Pack

- Steel ring roller for firm reconsolidation.
- Perfect choice of roller for heavy soil conditions, where crushing of clods is also requested.
- Ø550 mm notched steel rings at 12,5 cm spacing.
- Compaction achieved not only on the top of the soil, but the angled shoulders of the rings also create some side-packing inside the soil.
- Load is distributed between the top and the lower soil layers.
- Recommended for trailed models.

## Vibro Pack

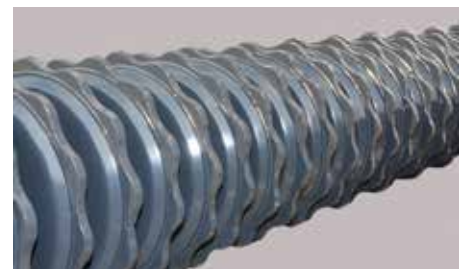
- Newly-developed Vibro Pack spring roller with unique function
- Utilizes the special technique and advantages of the vibrating Kongskilde cultivator springs.
- Versatile roller for use in medium to heavy soil types
- Besides packing, the Vibro Pack also creates a crumbling effect in the soil
- Special vibrating springs, offset to offer optimal compaction across working width and low rolling resistance.
- Flexibility in the springs ensures an even compaction across the full working width
- Packing in stripes at 12,5 cm Spacing, leaving the soil open for moisture absorption.



Disc leveller.



Hockey stick leveller.



Max Pack.



Vibro Pack.





DF 4000 H

**Crumble roller**

- Well-known Ø550 mm diameter crumble roller
- Good choice in most soil types, with special advantage of constant rotation.
- Cost-effective alternative to Max Pack and Vibro Pack rollers; in many cases a substantial packing and crumbling effect is achieved.

**Shares**

- Wide range of genuine high quality shares for Delta Flex and Vibro Flex 7400 to suit different applications.
- Made in hardened boron steel for a long lifetime.

**Front wheels**

- Heavy duty front wheels are standard on all trailed cultivators (except VF 4,0 m).
- Spindle adjustment.
- Provide support and prevent nose-diving

**Front disc section (Vibro Flex 7400)**

To cut and separate plant residues (maize, oil seed rape etc) an independent disc section can be used in front of the cultivator section.

- Notched discs chop residues, thereby improving the passage of material through the cultivator, as well as adding to mixing effect.
- Ø460 mm discs attached to the front frame by Kongskilde VFM springs, acting as suspension.
- Depth control independent from cultivator tines



Crumble roller.



Front wheel.

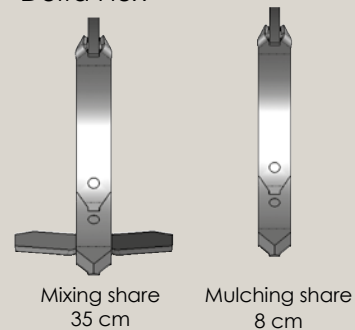


Front disc section - Vibro Flex 7400.

**Vibro Flex 7400**






**Delta Flex**



# Technical Data

Delta Flex	Model	Work Width	No. of tines	Tine spacing	Transport width	Cat.	Weight incl. crumble roller	Front wheels	Power requirements hp	
	<b>Rigid</b>									
	DF 2500	2.5 m	7	33 cm	2.5 m	2	1450 kg	-	90 - 125	
	DF 3000	3.0 m	9	33 cm	3.0 m	2	1650 kg	-	120 - 175	
	DF 3500	3.5 m	11	31 cm	3.5 m	2	1875 kg	-	140 - 190	
	DF 4000	4.0 m	13	31 cm	4.0 m	2	2100 kg	-	160 - 225	
	<b>Hydr. folding</b>									
	DF 4000 H	4.0 m	13	31 cm	2.5 m	3	2300 kg	10.0/80-12	160 - 225	
DF 5000 H	5.0 m	15	33 cm	2.5 m	3	2800 kg	10.0/80-12	200 - 275		
	<b>Hydr. Folding trailed</b>									
	DF 4000 HT	4.0 m	13	31 cm	3.0 m	3	3200 kg	10.0/80-12	160 - 225	
	DF 5000 HT	5.0 m	15	33 cm	3.0 m	3	3700 kg	10.0/80-12	200 - 275	
	DF 6000 HT	6.0 m	19	31 cm	3.0 m	3	4100 kg	10.0/80-12	240 - 325	
	DF 7000 HT	7.0 m	21	33 cm	3.0 m	3	4500 kg	10.0/80-12	280 - 375	

Vibro Flex 7400	Model	Work Width	No. of tines	Tine spacing	Transport width	Cat.	Weight incl. crumble roller	Front wheels	Power requirements hp	
	<b>Rigid</b>									
	VF 7425	2.5 m	11	23.5 cm	2.5 m	2	1300 kg	-	75 - 90	
	VF 7430	3.0 m	13	23.5 cm	3.0 m	2	1500 kg	-	100 - 130	
	VF 7435	3.5 m	15	23.5 cm	3.5 m	2	1650 kg	-	115 - 150	
	VF 7440	4.0 m	17	23.5 cm	4.0 m	2	1850 kg	-	130 - 170	
	<b>Hydr. folding</b>									
	VF 7440 H	4.0 m	17	23.5 cm	2.5 m	3	2050 kg	Optional	130 - 170	
VF 7450 H	5.0 m	21	23.5 cm	2.5 m	3	2500 kg	24x8.00-14.5 or 10.0/80-12	160 - 210		
VF 7460 H	5.8 m	25	23.5 cm	2.5 m	3	2800 kg	24x8.00-14.5 or 10.0/80-12	200 - 250		
	<b>Hydr. Folding trailed</b>									
	VF 7440 HT	4.0 m	17	23.5 cm	3.0 m	3	3000 kg	Optional	130 - 170	
	VF 7450 HT	5.0 m	21	23.5 cm	3.0 m	3	3.000 kg	10.0/80-12	160 - 210	
	VF 7460 HT	5.8 m	25	23.5 cm	3.0 m	3	3700 kg	10.0/80-12	200 - 250	
	<b>Hydr. folding trailed with front discs</b>									
	VF 7440 HT FD	4.0 m	17	23.5 cm	3.0 m	3	3380 kg	-	140-180	
	VF 7450 HT FD	5.0 m	21	23.5 cm	3.0 m	3	3890 kg	Optional in size 24x8.00-14.5	170-220	
	VF 7460 HT FD	5.8 m	25	23.5 cm	3.0 m	3	4240 kg	Optional in size 24x8.00-14.5	210-260	
VF 7470 HT FD	7.0 m	29	23.5 cm	3.0 m	3	4750 kg	Optional in size 24x8.00-14.5	250-300		

**Kongskilde Agriculture**

Tel. +45 61 80 50 00

office@kongskilde.com

www.kongskilde.com

**K KONGSKILDE**  
Moving agriculture ahead