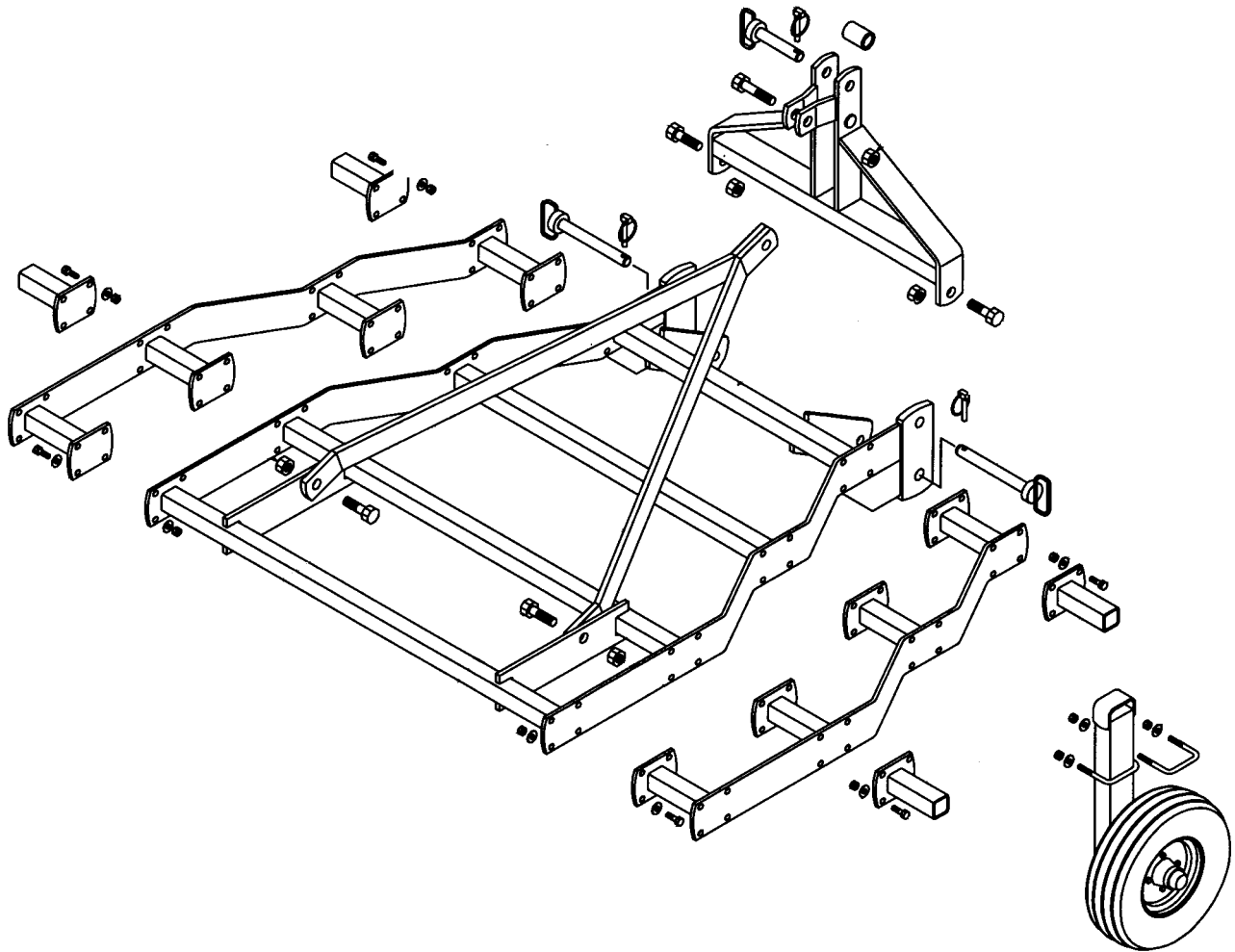


800 SERIES
FULLY MOUNTED CULTIVATORS

Kongskilde
800 Series



SPARE PARTS LIST

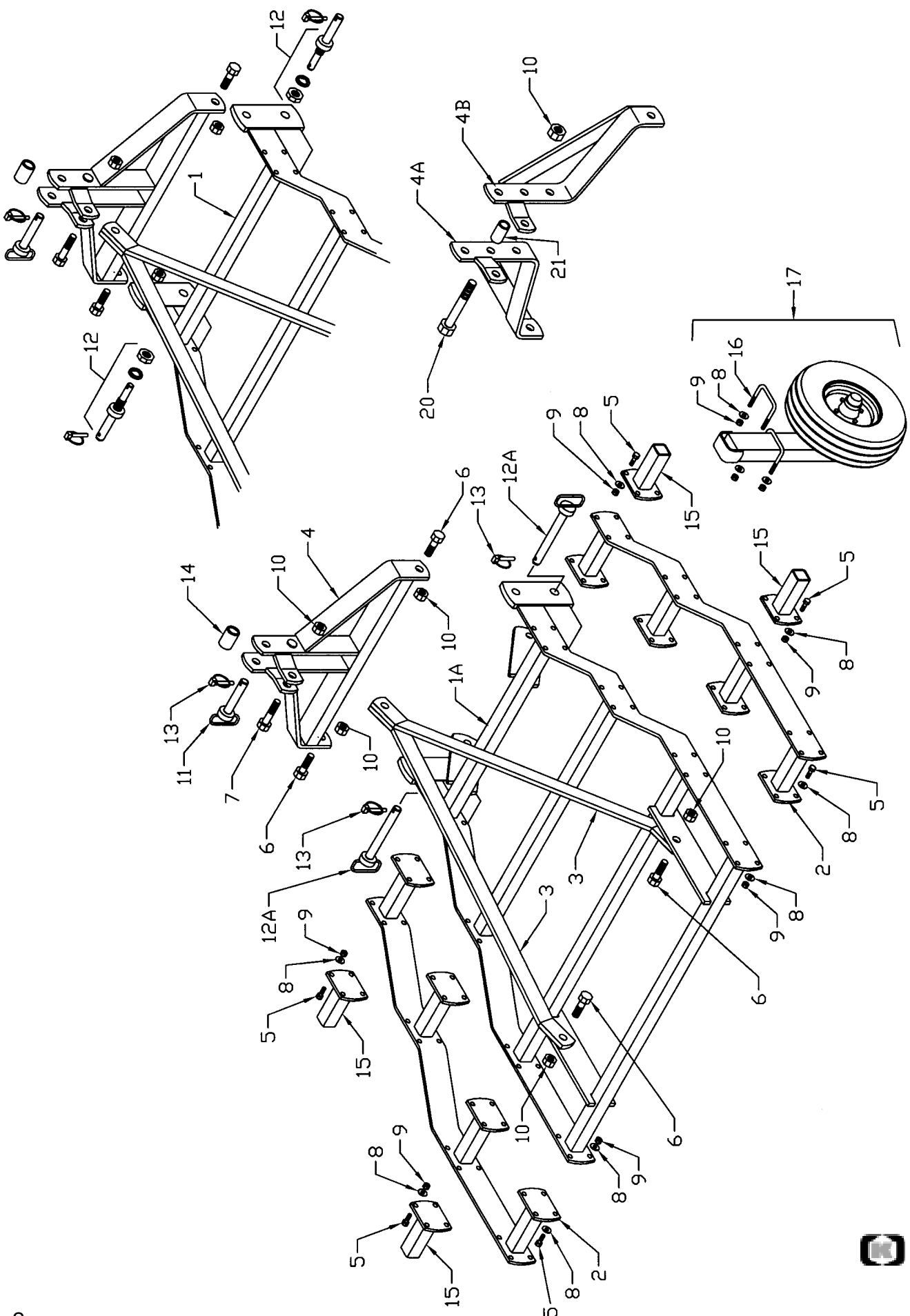


Fig.	Part no.	Description
1	01 069 093	800 Series Centre Frame 4' Weldment - Obsolete
1A	01 069 104	800 Series Centre Frame 4' Weldment with Double Draw Plates
2	01 069 094	800 Series 8" Add On Frame Weldment
3	01 069 098	800 Series 3 pt. Hitch Connection Bar 4'
4	01 069 081	800 Series 3 pt. Hitch A-Frame Weldment (use 4A,4B, 20, 21, & 10)
4A	01 069 113	800 Series 3 pt. Hitch A-Frame LH Weldment (for CatII Quick Hitch)
4B	01 069 114	800 Series 3 pt. Hitch A-Frame RH Weldment (for CatII Quick Hitch)
5	00 356 139	1/2" x 1 3/4" Bolt
6	00 356 028	1" x 2 1/2" Bolt
7	00 356 004	1" x 3 1/2" Bolt
8	00 381 050	1/2" Washer
9	00 366 005	1/2" Locknut
10	00 366 009	1" Locknut
11	05 901 436	Top Link Pin (Replaces 01 069 063)
12	00 383 048	Lower Link Pin Assembly (For Old Frame 01 069 093 Only)
12A	01 069 109	Lower Draw Pin
13	00 333 014	5/16" Lynch Pin
14	01 069 065	Top Link Bushing
15	01 069 060	6" Extension Weldment
16	00 373 035	1/2" x 3" x 3 1/4" U-Bolt
17	01 068 036	Gauge Wheel Assembly Complete
18	00 475 114	Kongskilde Decal [Small]
19	00 475 118	800 Series Decal
20	00 356 101	1" x 5" Bolt
21	01 069 034	Spacer for 2 piece A-Frame

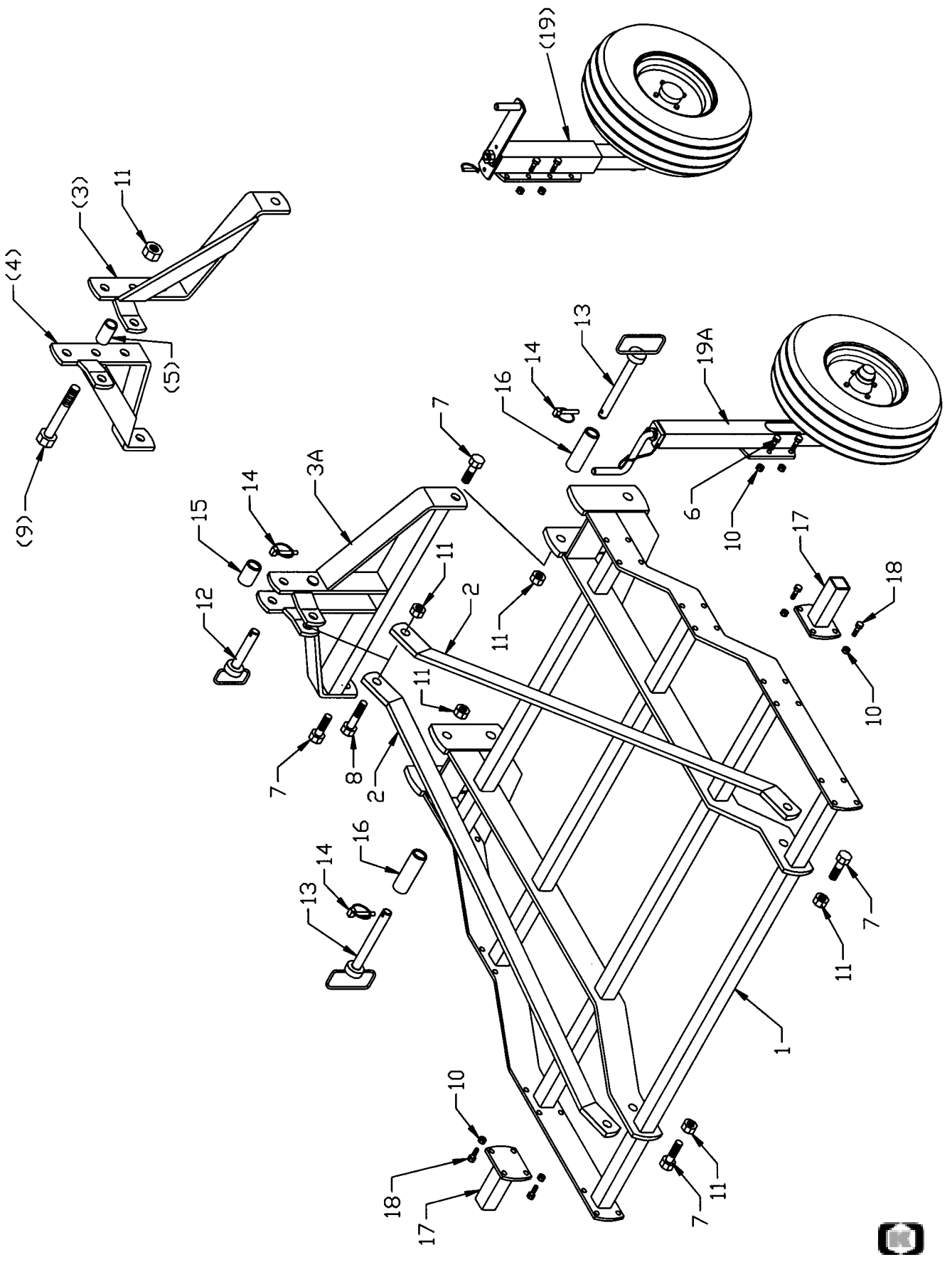


Fig.	Part no.	Description
		This Model is replaced by 804 - 4' Frame. This parts page for Reference Only.
1	01 069 047	800 Series Centre Frame 5' Weldment
2	01 069 028	800 Series 3 pt. Hitch Connection Bar
3A	01 069 081	800 Series 3 pt. Hitch A-Frame Weldment - Replaces 3 & 4
3	01 069 029	800 Series 3 pt. Hitch A-Frame RH Weldment - Obsolete use 3A
4	01 069 030	800 Series 3 pt. Hitch A-Frame LH Weldment - Obsolete use 3A
5	01 069 034	3 Point Hitch Spacer - Obsolete used for 3 & 4 Only
6	00 356 109	1/2" x 1 1/2" Bolt
7	00 356 028	1" x 2 1/2" Bolt
8	00 356 004	1" x 3 1/2" Bolt
9	00 356 101	1" x 5" Bolt - Obsolete used for 3, 4 & 5 Only
10	00 366 005	1/2" Locknut
11	00 366 009	1" Locknut
12	01 069 063	Top Link Pin (use 05 901 436)
13	01 069 064	Lower Link Pin (use 05 901 433)
14	00 333 014	5/16" Lynch Pin
15	01 069 065	Top Link Bushing
16	01 069 066	Lower Link Bushing
17	01 069 060	6" Extension Weldment
18	00 356 139	Bolt 1/2 x 1 3/4
19A	01 068 034	Gauge Wheel Assembly Complete - Replaces 19
19	01 068 004	Gauge Wheel Assembly Complete - Obsolete use 19A
20	00 475 114	Kongskilde Decal [Small]
21	00 475 118	800 Series Decal

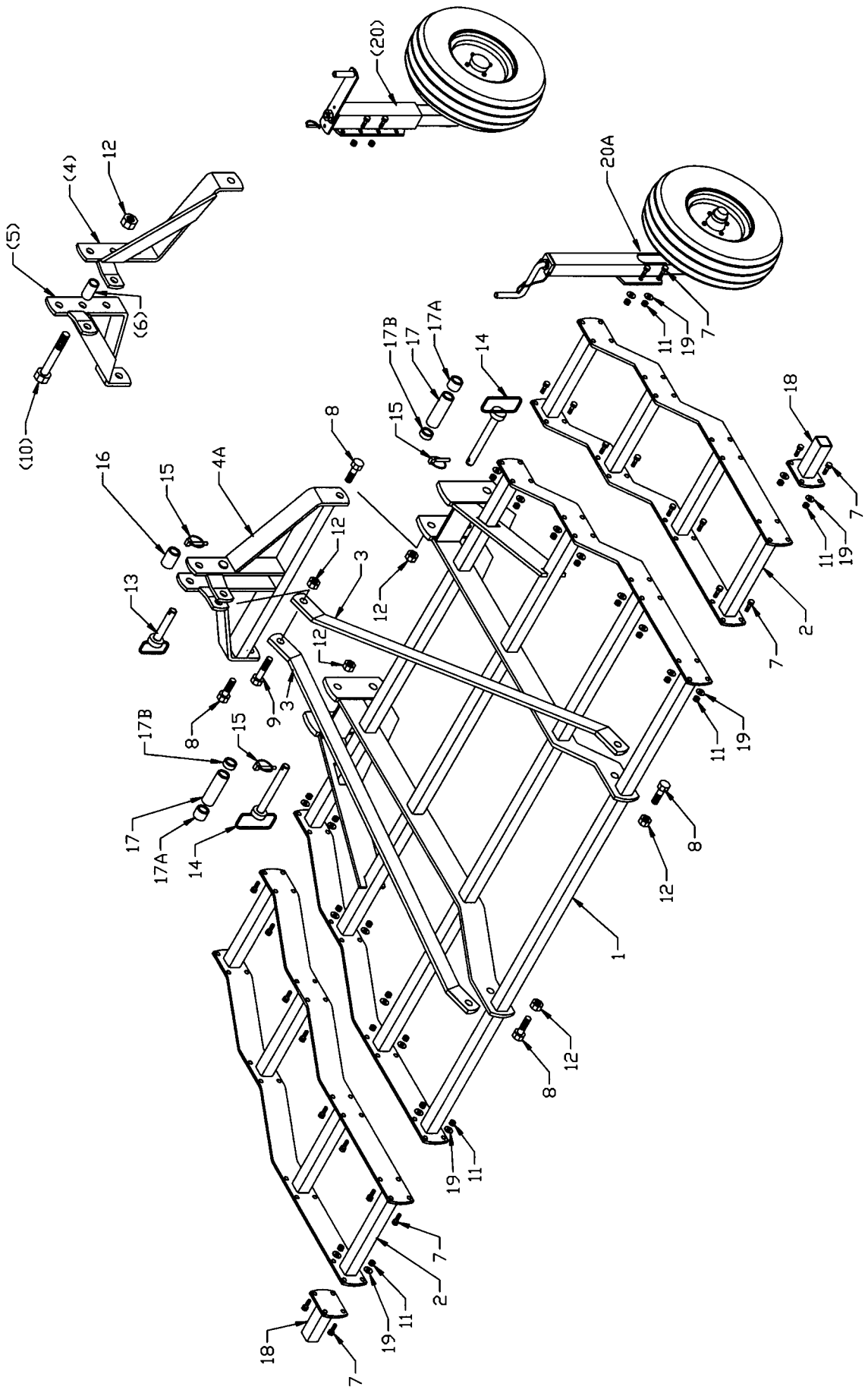


Fig.	Part no.	Description
1	01 069 000	800 Series Centre Frame 7' Weldment
2	01 069 002	800 Series Add On Frame Weldment
3	01 069 028	800 Series 3 pt. Hitch Connection Bar
4A	01 069 081	800 Series 3 pt. Hitch A-Frame Weldment - Replaces 4 & 5
4	01 069 029	800 Series 3 pt. Hitch A-Frame RH Weldment - Obsolete use 4A
5	01 069 030	800 Series 3 pt. Hitch A-Frame LH Weldment - Obsolete use 4A
6	01 069 034	3 Point Hitch Spacer - Obsolete used for 4 & 5 Only
7	00 356 139	1/2" x 1 3/4" Bolt
8	00 356 028	1" x 2 1/2" Bolt
9	00 356 004	1" x 3 1/2" Bolt
10	00 356 101	1" x 5" Bolt - Obsolete used for 4, 5 & 6 Only
11	00 366 005	1/2" Locknut
12	00 366 009	1" Locknut
13	05 901 436	Top Link Pin (replaces 01 069 063)
14	05 901 433	Lower Link Pin (replaces 01 069 064)
15	00 333 014	5/16" Lynch Pin
16	01 069 065	Top Link Bushing
17	01 069 066	Lower Link Bushing
17A	05 901 442	Hitch Spacer Bushing Long
17B	05 901 443	Hitch Spacer Bushing Short
18	01 069 060	6" Extension Weldment
19	00 381 050	Washer 1/2"
20A	01 068 034	Gauge Wheel Assembly Complete - Replaces 20
20	01 068 004	Gauge Wheel Assembly Complete - Obsolete use 20A
21	00 475 114	Kongskilde Decal [Small]
22	00 475 118	800 Series Decal

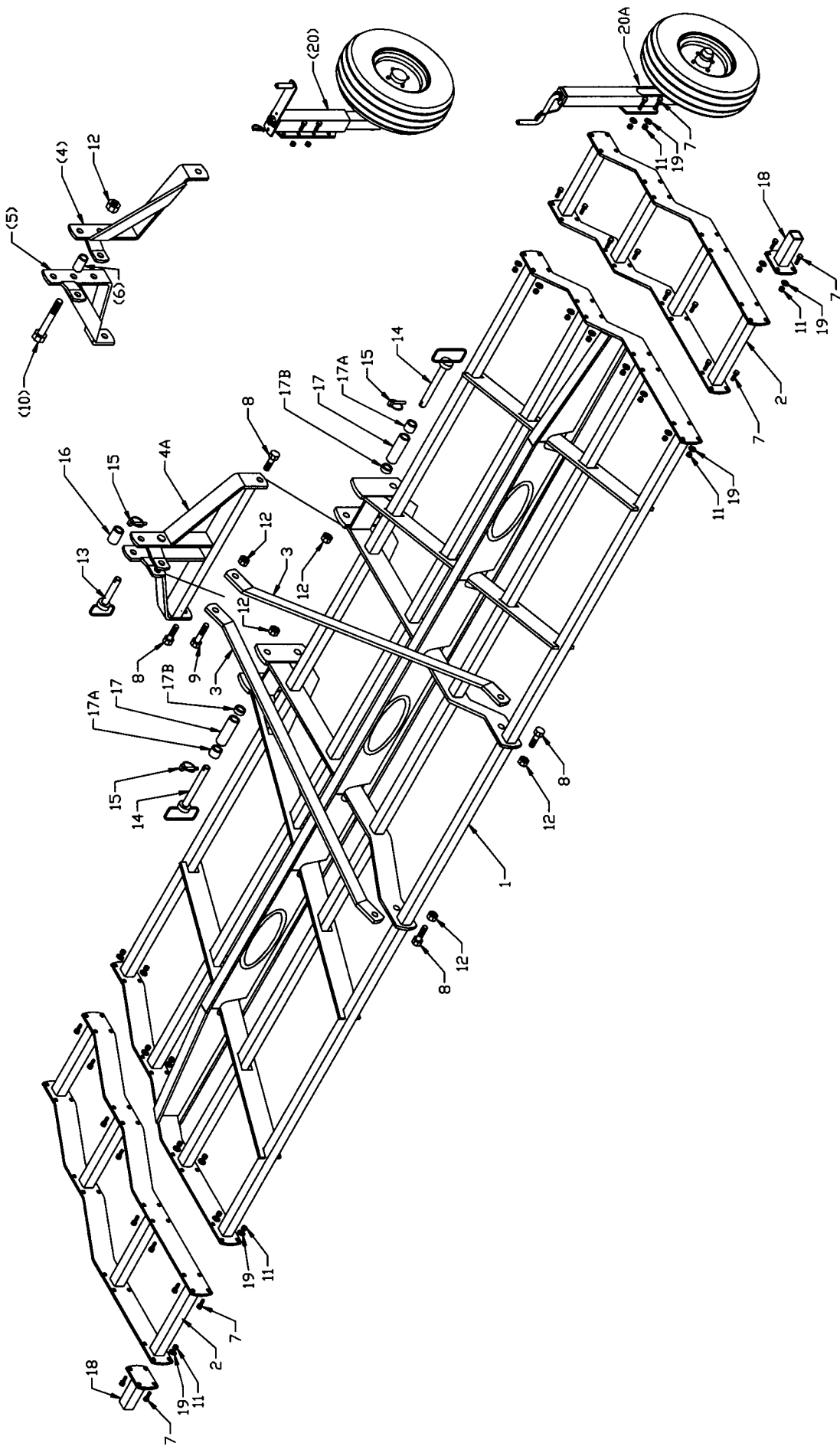


Fig.	Part no.	Description
1	01 069 001	800 Series Centre Frame 15' Weldment
2	01 069 002	800 Series Add On Frame Weldment
3	01 069 028	800 Series 3 pt. Hitch Connection Bar
4A	01 069 081	800 Series 3 pt. Hitch A-Frame Weldment - Replaces 4 & 5
4	01 069 029	800 Series 3 pt. Hitch A-Frame RH Weldment - Obsolete use 4A
5	01 069 030	800 Series 3 pt. Hitch A-Frame LH Weldment - Obsolete use 4A
6	01 069 034	3 Point Hitch Spacer -Obsolete used for 4 & 5 Only
7	00 356 139	1/2" x 1 3/4" Bolt
8	00 356 028	1" x 2 1/2" Bolt
9	00 356 004	1" x 3 1/2" Bolt
10	00 356 101	1" x 5" Bolt - Obsolete used for 4, 5 & 6 Only
11	00 366 005	1/2" Locknut
12	00 366 009	1" Locknut
13	05 901 436	Top Link Pin (replaces 01 069 063)
14	05 901 433	Lower Link Pin (replaces 01 069 064)
15	00 333 014	5/16" Lynch Pin
16	01 069 065	Top Link Bushing
17	01 069 066	Lower Link Bushing
17A	05 901 442	Hitch Spacer Bushing Long
17B	05 901 443	Hitch Spacer Bushing Short
18	01 069 060	6" Extension Weldment
19	00 381 050	Washer 1/2"
20A	01 068 034	Gauge Wheel Assembly Complete - Replaces 20
20	01 068 004	Gauge Wheel Assembly Complete - Obsolete use 20A
21	00 475 114	Kongskilde Decal [Small]
22	00 475 118	800 Series Decal

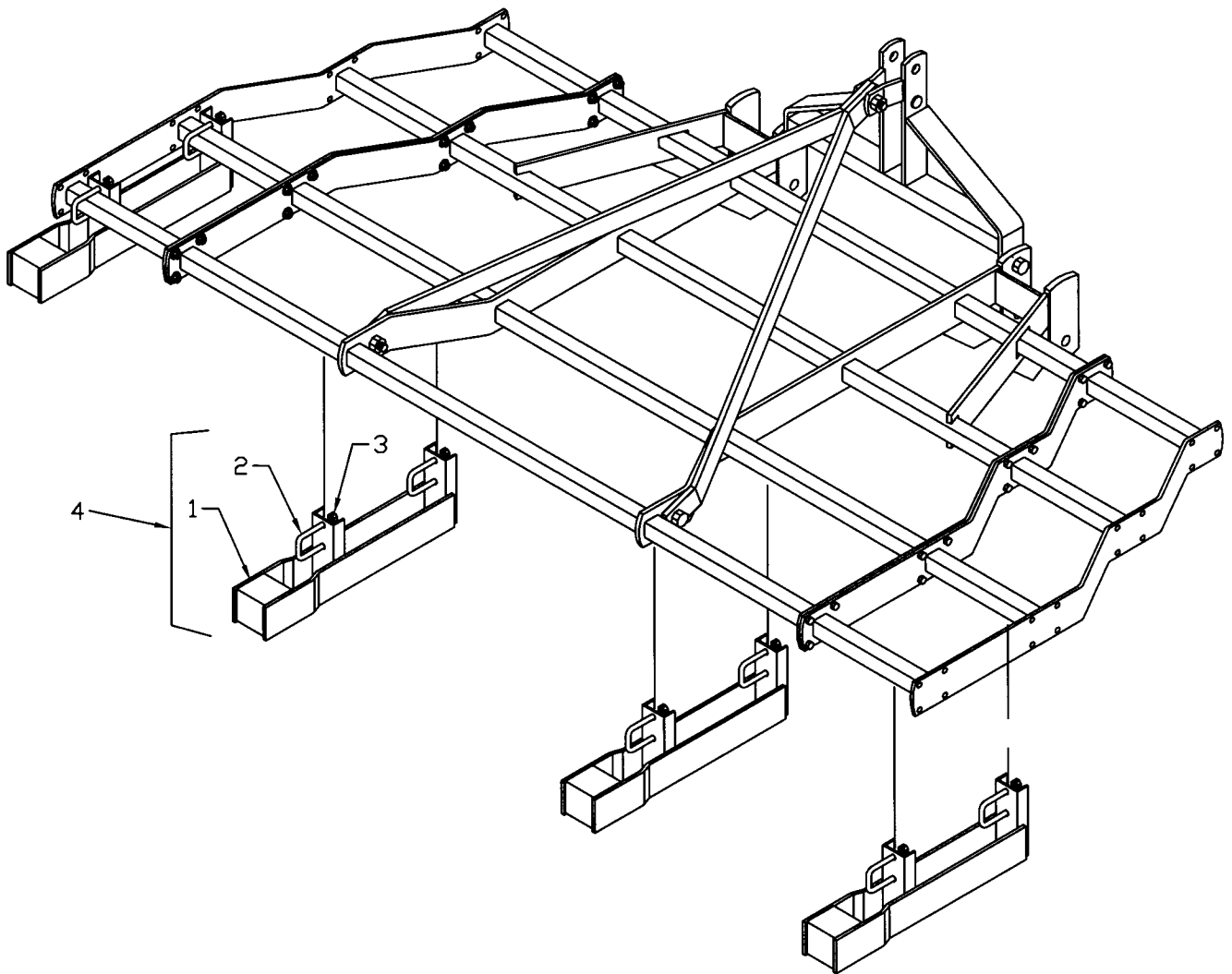


Fig.	Part no.	Description
1	601069120	800 Series Hilling Bracket
2	600373061	U-Bolt 1/2" x 2" x 3-1/4"
3	600366005	Locknut 1/2"
4	601068096	800 Series Hilling Bracket Assembly Complete

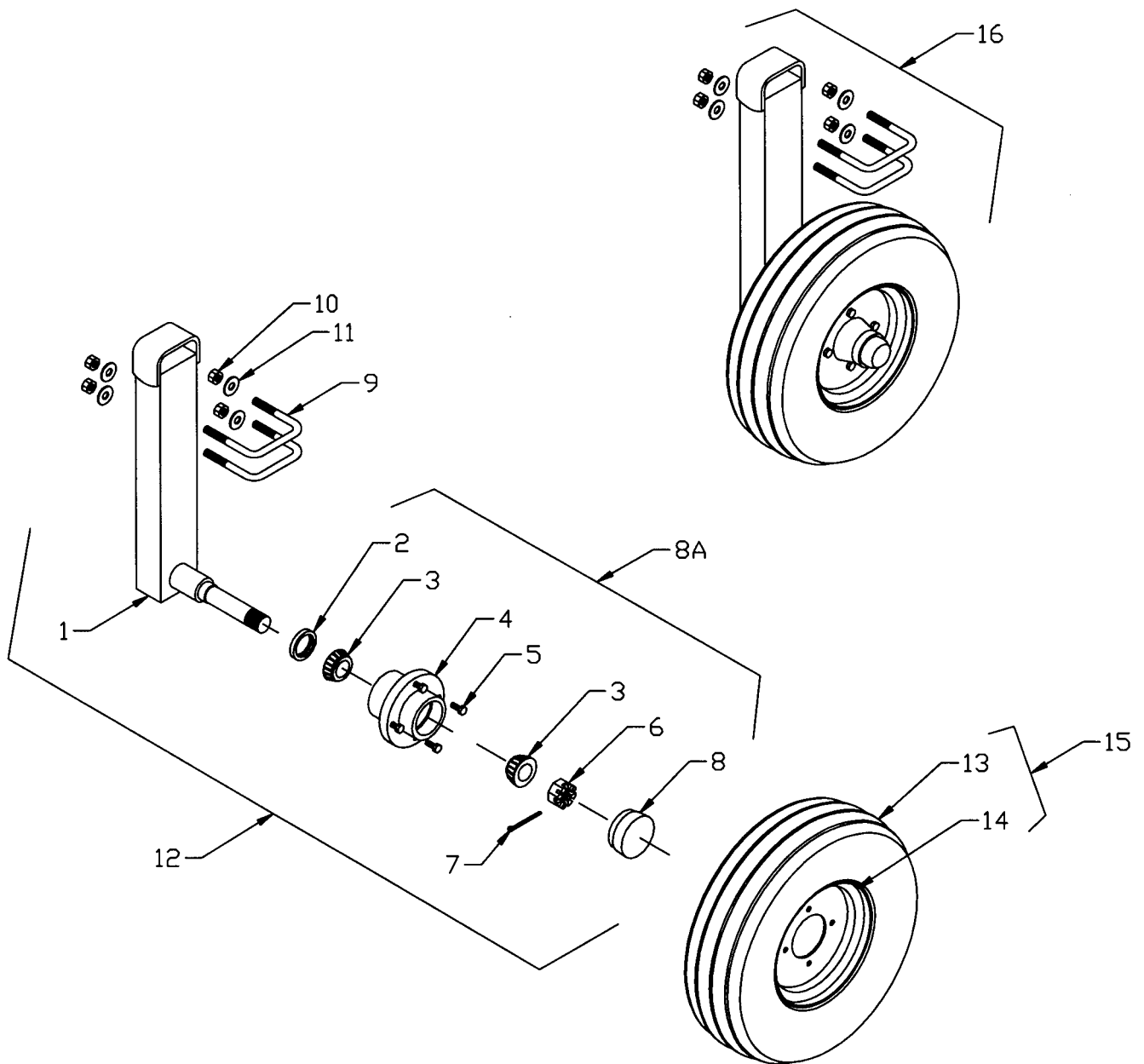


Fig.	Part no.	Description
1	01 069 099	Spindle Tube Weldment
2	00 473 033	Seal CR523696
3	00 452 017	Bearing L44643
4	00 473 035	Hub with cups
5	00 373 001	Lug Bolt
6	00 366 011	Slotted Nut
7	00 383 000	Cotter Pin
8	00 473 032	Dust cap
8A	00 473 036	Hub Assembly Complete (Items 2 to 8)
9	00 373 035	U-Bolt 1/2"
10	00 366 005	Locknut 1/2"
11	00 381 050	Washer 1/2"
12	01 068 035	Econo Gauge Wheel Assembly (Items 1 to 11)
13	00 473 079	Tire 5.30 x 12
14	00 473 080	Rim 12" x 4" x 4
15	00 473 078	Tire & Rim Assembly 5.30 x 12
16	01 068 038	Econo Gauge Wheel Assembly Complete (Items 12 & 15)

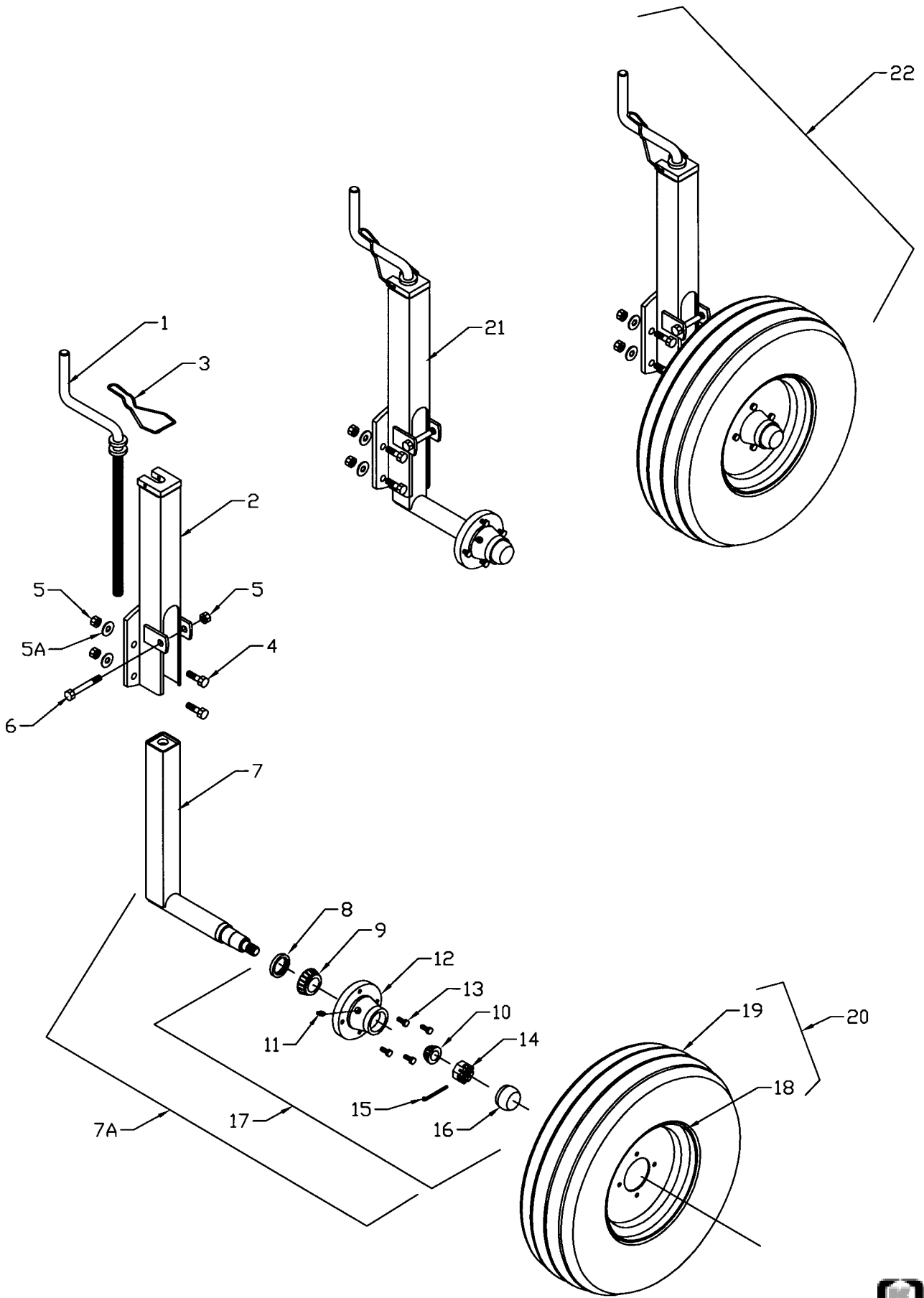


Fig.	Part no.	Description
1	01 069 069	Crank Handle
2	01 069 067	Gauge Wheel Outer Channel (Mounting Bracket)
3	01 069 080	Spring Clip (Handle Lock)
4	00 356 139	1/2" x 1-3/4" Bolt
5	00 366 005	1/2" Locknut
5A	00 381 050	1/2" Washer
6	00 356 137	1/2" x 3-1/2" Bolt
7A	01 068 033	Gauge Wheel Arm Assembly w/ Hub Complete (Items 7 to 17)
7	01 069 068	Gauge Wheel Arm Tube and Spindle Weldment
8	00 473 071	Seal - SE11
9	00 473 069	Bearing - LM67048
10	00 473 070	Bearing - LM11494
11	00 471 002	Grease Fitting
12	00 473 073	4-Bolt Hub c/w Cups, Lug Bolts & Grease Fitting (Items 11,12,13)
13	00 473 068	Wheel Lug Bolt
14	00 366 014	Slotted Nut 3/4"
15	00 383 000	Cotter Pin 3/16" x 1 1/2"
16	00 473 072	Dust Cap
17	00 473 074	Hub Complete (Items 8 to 16)
18	00 473 063	Rim 15" x 4-1/2" x 4 Bolt
19	00 473 064	Tire 5.90 x 15 SL Rib Implement
20	00 473 062	Tire & Rim Complete (Items 18 & 19)
21	01 068 036	Gauge Wheel Assembly Less Tire and Rim (Items 1 to 17)
22	01 068 034	Gauge Wheel Assembly Complete (Items 1 to 20)

□-SERIES WHEEL SPRING 1997

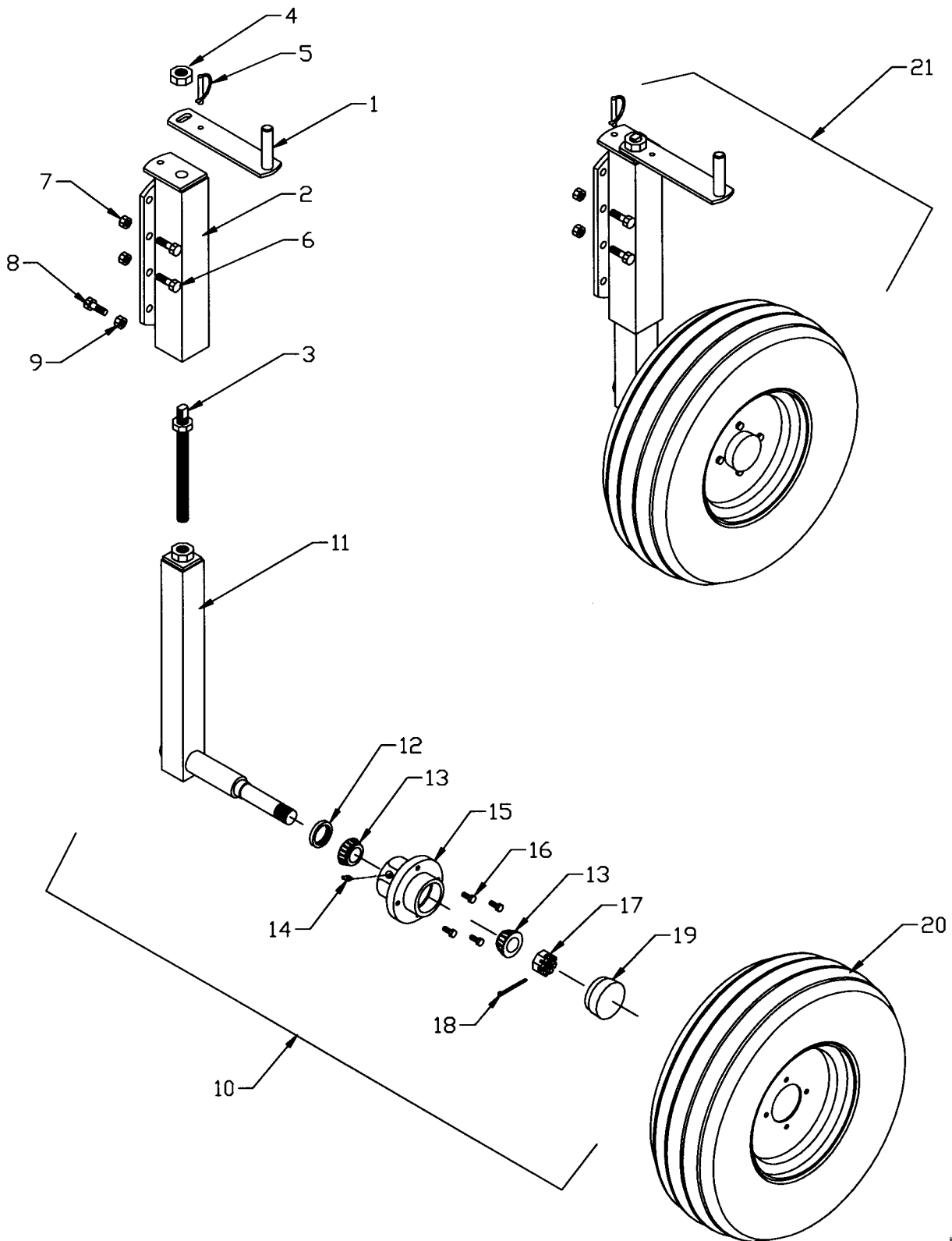


Fig.	Part no.	Description
1	01 069 042	Crank Handle
2	01 069 035	Gauge Wheel Outer Tube (Mounting Bracket)
3	01 069 046	Threaded Rod
4	00 352 055	3/4" Acme Nut
5	00 383 046	1/4" Tap Lock Pin
6	00 356 109	1/2" x 1-1/2" Bolt
7	00 366 005	1/2" Locknut
8	00 356 103	1/2" x 1-1/4" Bolt
9	00 365 009	1/2" Nut
10	01 068 003	Gauge Wheel Arm Assembly w/ Hub Complete (Items 11 to 19)
11	01 069 039	Gauge Wheel Arm Tube and Spindle Weldment
12	00 473 033	Seal - CR523696
13	00 452 017	Bearing - L44643
14	00 471 002	Grease Fitting
15	00 473 035	1000# 4-Bolt Hub c/w Cups
16	00 373 001	Wheel Lug Bolt - 1/2"
17	00 366 011	Slotted Nut 1"
18	00 383 000	Cotter Pin 3/16" x 1 1/2"
19	00 473 032	Cap
20	00 473 045	Wheel Complete
21	01 068 004	Gauge Wheel Assembly Complete (Items 1 to 20)

