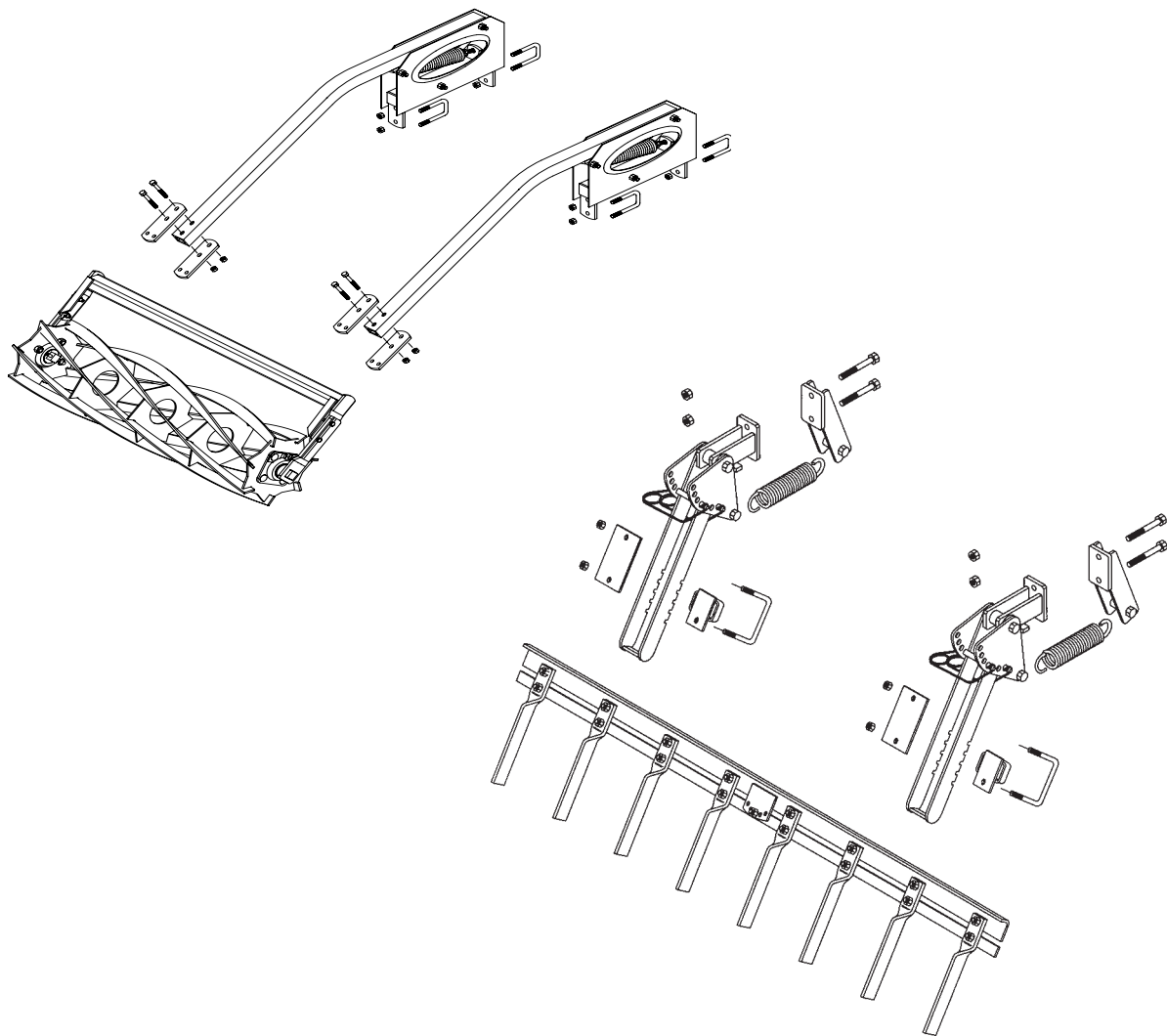


800 Harrows FOR 800 SERIES CULTIVATORS

Kongskilde
800 Harrows

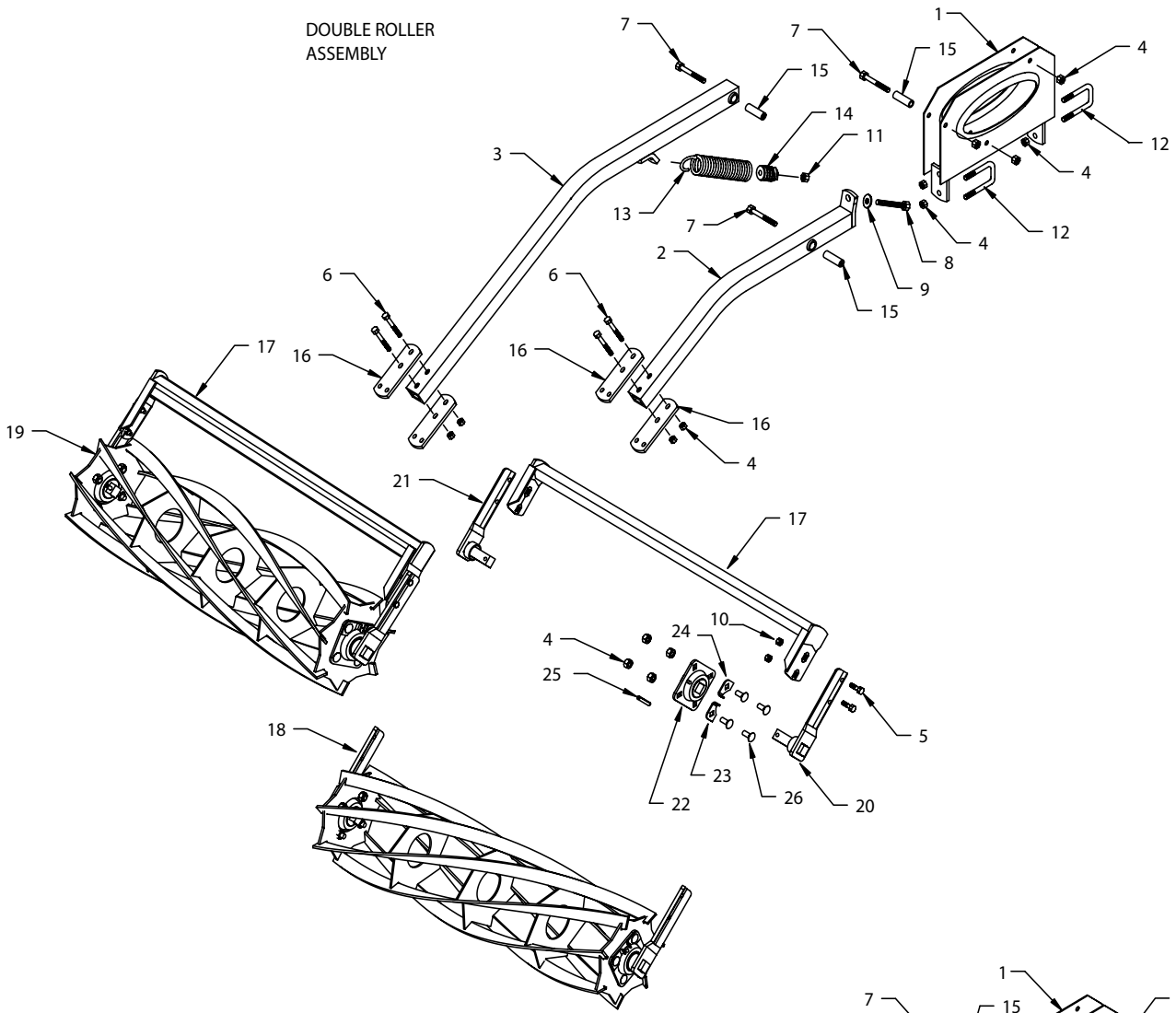


SPARE PARTS LIST
800 Series
Levelling Attachments

7603150831-Revision 2

Shaftless Roller Assembly

DOUBLE ROLLER ASSEMBLY



SINGLE ROLLER ASSEMBLY

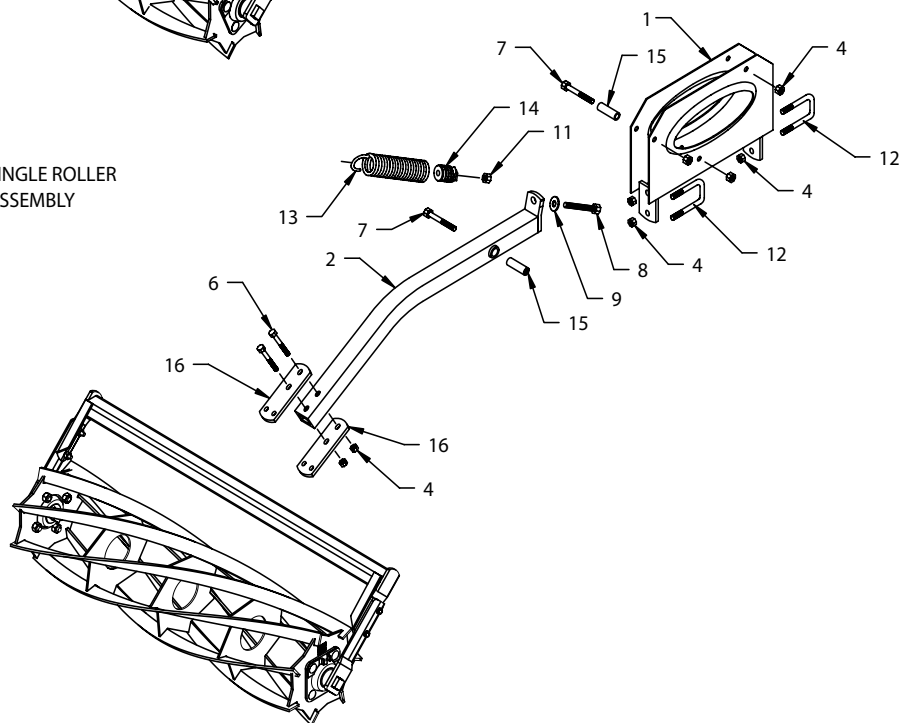


Fig.	Part no.	Description
1	603150707	Mounting Bracket Weldment
2	603 50700	Short Arm Weldment
3	603150701	Long Arm Weldment
4	600366005	1/2" Locknut
5	600356115	Bolt 3/8" x 1 1/2"
6	600356137	Bolt 1/2" x 3 1/2"
7	600356105	Bolt 1/2" x 4"
8	600373072	Bolt 5/8" x 5" Full Thread
9	600381020	Flatwasher 5/8"
10	600366004	Locknut 3/8"
11	600365014	Hex Nut 5/8" - 11 UNC, Plated
12	600373061	U-Bolt 1/2" x 2" x 3 1/4"
13	603150017	Roller Tension Spring
14	603150018	Spring Insert
15	603150712	Wear Bushing
16	603150191	Frame Mount Plate
17	603150195	32" Frame
	603150196	47" Frame (Shown)
	603150197	55" Frame
	603150198	63" Frame
	603150199	71" Frame
18	603151280	32" L. H. Roller Assembly- Shaftless
	603151278	47" L. H. Roller Assembly - Shaftless (Shown)
	603151282	55" L. H. Roller Assembly - Shaftless
	603151284	63" L. H. Roller Assembly - Shaftless
	603151286	71" L. H. Roller Assembly - Shaftless
19	603151281	32" R. H. Roller Assembly - Shaftless
	603151279	47" R. H. Roller Assembly - Shaftless (Shown)
	603151283	55" R. H. Roller Assembly - Shaftless
	603151285	63" R. H. Roller Assembly - Shaftless
	603151287	71" R. H. Roller Assembly - Shaftless
20	603151270	Right Roller Harrow Bearing Arm
21	603151262	Left Roller Harrow Bearing Arm
22	600451006	Harrow Bearing 1-1/8" Square (FD209)
23	603151241	Right Roller Bearing Arm Shield
24	603151240	Left Roller Bearing Arm Shield
25	600383013	Roll Pin 3/8" X 2-1/2"
26	600361034	Carriage Bolt 1/2" X 1-1/4"

Special Single Rear Shaftless Roller Assembly
for use in Combination with 800 Spike Bar Leveller

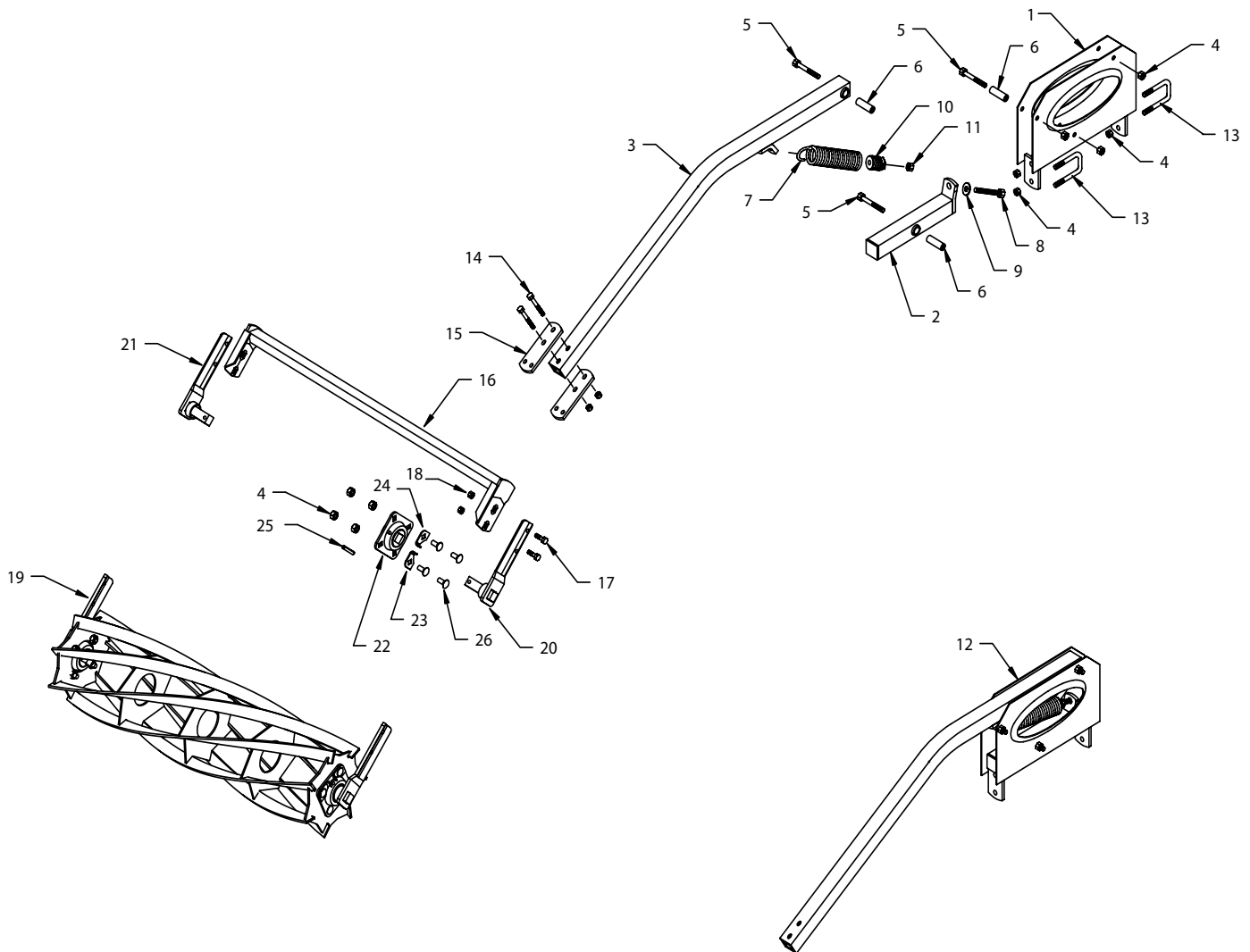
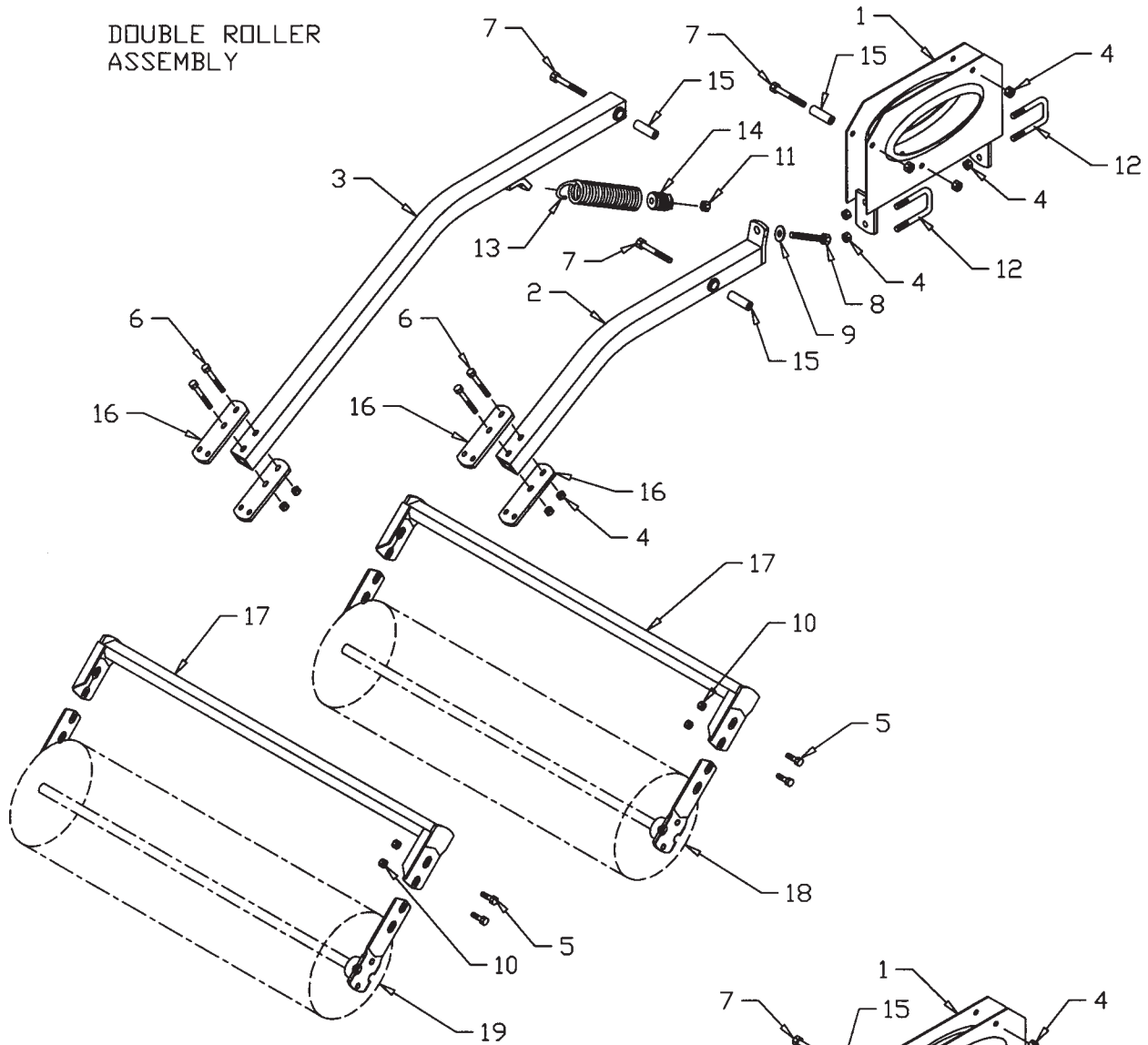


Fig.	Part no.	Description
1	603150707	Mounting Bracket Weldment
2	603150729	Spring Mount Bracket
3	603150701	Long Arm Weldment
4	600366005	1/2" Locknut
5	600356105	Bolt 1/2" x 4"
6	603150712	Wear Bushing
7	603150017	Tension Spring
8	600373072	Bolt 5/8" x 5" Full Thread
9	600381020	Flatwasher 5/8"
10	603150018	Spring Insert
11	600365014	Hex Nut 5/8" - 11 UNC, Plated
12	603150022	Rear Single Roller Arm Assembly (Items 1-11)
13	600373061	U-Bolt 1/2" x 2" x 3 1/4"
14	600356137	Bolt 1/2" x 3 1/2"
15	603150191	Frame Mount Plate
16	603150195	32" Frame
	603150196	47" Frame (Shown)
	603150197	55" Frame
	603150198	63" Frame
	603150199	71" Frame
17	600356115	Bolt 3/8 x 1 1/2"
18	600366004	3/8" Locknut
19	603151279	32" L. H. Roller Assembly - Shaftless
	603151281	47" L. H. Roller Assembly - Shaftless (Shown)
	603151283	55" L. H. Roller Assembly - Shaftless
	603151285	63" L. H. Roller Assembly - Shaftless
	603151287	71" L. H. Roller Assembly - Shaftless
	603151278	32" R. H. Roller Assembly - Shaftless
	603151280	47" R. H. Roller Assembly - Shaftless
	603151282	55" R. H. Roller Assembly - Shaftless
	603151284	63" R. H. Roller Assembly - Shaftless
	603151286	71" R. H. Roller Assembly - Shaftless
20	603151270	Right Roller Harrow Bearing Arm
21	603151262	Left Roller Harrow Bearing Arm
22	600451006	Harrow Bearing 1-1/8" Square (FD209)
23	603151241	Right Roller Bearing Arm Shield
24	603151240	Left Roller Bearing Arm Shield
25	600383013	Roll Pin 3/8" x 2-1/2"
26	600361034	Carriage Bolt 1/2" x 1-1/4"

DOUBLE ROLLER
ASSEMBLY



SINGLE ROLLER
ASSEMBLY

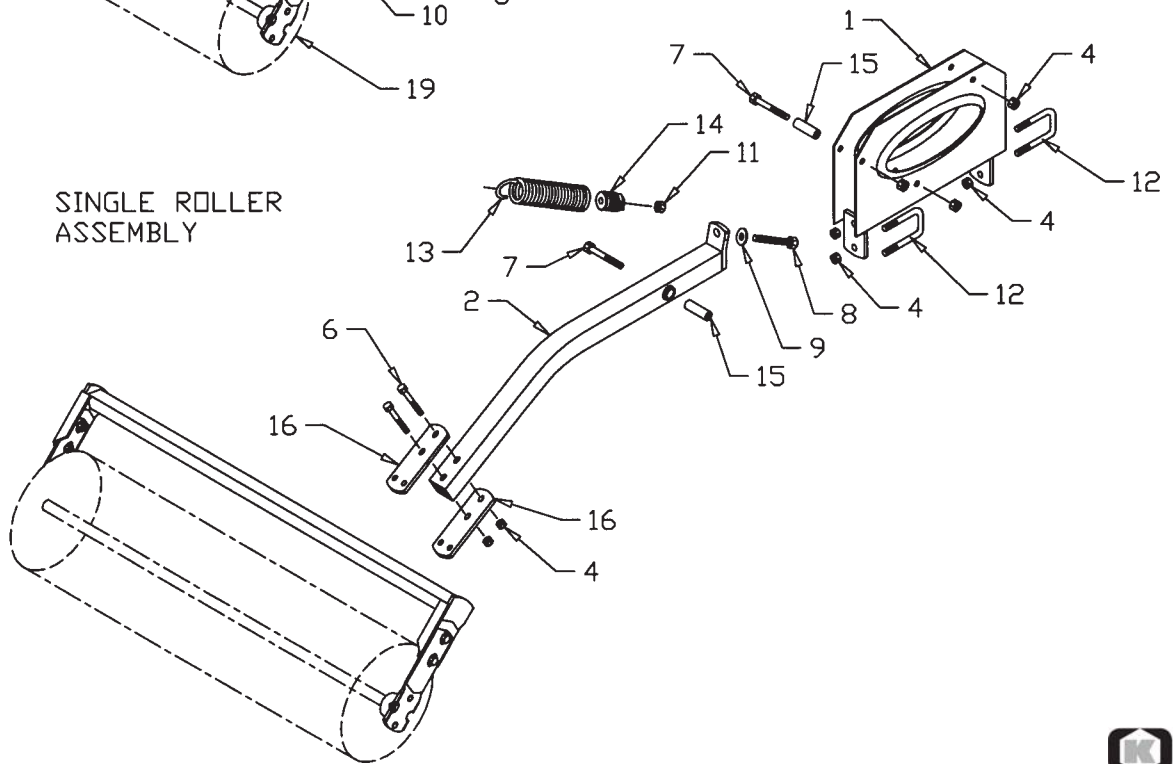
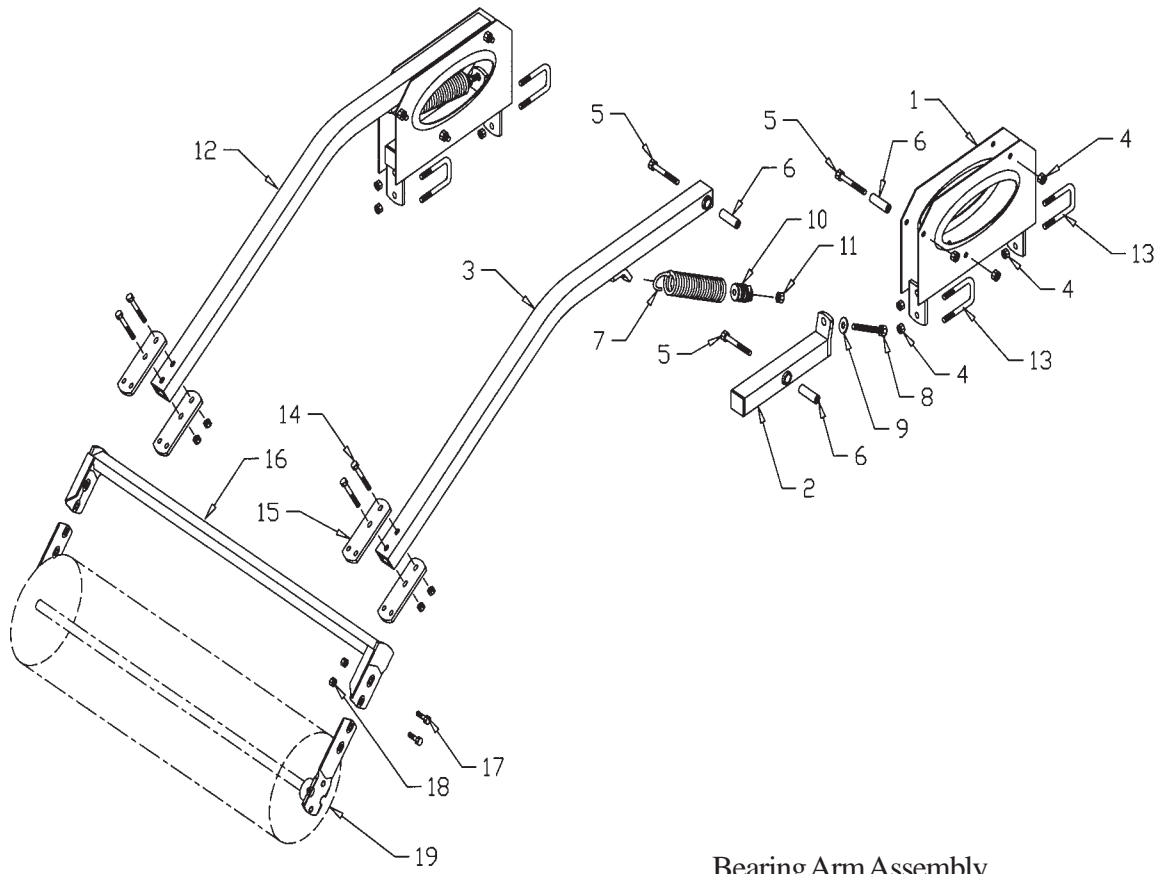


Fig.	Part no.	Description
1	603150707	Mounting Bracket Weldment
2	603150700	Short Arm Weldment
3	603150701	Long Arm Weldment
4	600366005	1/2" Locknut
5	600356115	Bolt 3/8" x 1 1/2"
6	600356137	Bolt 1/2" x 3 1/2"
7	600356105	Bolt 1/2" x 4"
8	600373072	Bolt 5/8" x 5" Full Thread
9	600381020	Flatwasher 5/8"
10	600366004	Locknut 3/8"
11	600365014	Hex Nut 5/8" - 11 UNC, Plated
12	600373061	U-Bolt 1/2" x 2" x 3 1/4"
13	603150017	Roller Tension Spring
14	603150018	Spring Insert
15	603150712	Wear Bushing
16	603150191	Frame Mount Plate
17	603150195	32" FRAME
	603150196	47" FRAME
	603150197	55" FRAME
	603150198	63" FRAME
	603150199	71" FRAME
18	603150153	32" L. H. ROLLER ASSEMBLY
	603150154	47" L. H. ROLLER ASSEMBLY
	603150155	55" L. H. ROLLER ASSEMBLY
	603150156	63" L. H. ROLLER ASSEMBLY
	603150157	71" L. H. ROLLER ASSEMBLY
19	603150163	32" R. H. ROLLER ASSEMBLY
	603150164	47" R. H. ROLLER ASSEMBLY
	603150165	55" R. H. ROLLER ASSEMBLY
	603150166	63" R. H. ROLLER ASSEMBLY
	603150167	71" R. H. ROLLER ASSEMBLY

Special Single Rear Roller Assembly
for use in Combination with 800 Spike Bar Leveller



Bearing Arm Assembly

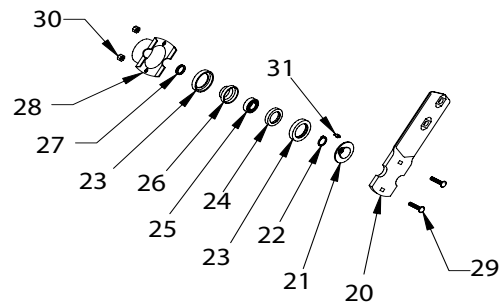


Fig.	Part no.	Description
1	603150707	Mounting Bracket Weldment
2	603150729	Spring Mount Bracket
3	603150701	Long Arm Weldment
4	600366005	1/2" Locknut
5	600356105	Bolt 1/2" x 4"
6	603150712	Wear Bushing
7	603150017	Tension Spring
8	600373072	Bolt 5/8" x 5" Full Thread
9	600381020	Flatwasher 5/8"
10	603150018	Spring Insert
11	600365014	Hex Nut 5/8" - 11 UNC, Plated
12	603150022	Rear Single Roller Arm Assembly (Items 1-11)
13	600373061	U-Bolt 1/2" x 2" x 3 1/4"
14	600356137	Bolt 1/2" x 3 1/2"
15	603150191	Frame Mount Plate
16	603150195	32" FRAME
	603150196	47" FRAME
	603150197	55" FRAME
	603150198	63" FRAME
	603150199	71" FRAME
17	600356115	Bolt 3/8 x 1 1/2"
18	600366004	3/8" Locknut
19	603150153	32" L. H. ROLLER ASSEMBLY
	603150154	47" L. H. ROLLER ASSEMBLY
	603150155	55" L. H. ROLLER ASSEMBLY
	603150156	63" L. H. ROLLER ASSEMBLY
	603150157	71" L. H. ROLLER ASSEMBLY
	603150163	32" R. H. ROLLER ASSEMBLY
	603150164	47" R. H. ROLLER ASSEMBLY
	603150165	55" R. H. ROLLER ASSEMBLY
	603150166	63" R. H. ROLLER ASSEMBLY
	603150167	71" R. H. ROLLER ASSEMBLY
—	103000454	G-Bearing Arm Complete
—	310156300	G-Bearing Housing Assembly
—	103000396	Bearing Cover and Grease Nipple
20	103000627	G-Bearing Arm - 10mm
21	103000397	G-Bearing Arm Cap
22	100407011	Lock Ring LR 20U x 1.2
23	103000261	G-Bearing Rubber Ring
24	103000263	G-Bearing Guide Ring
25	100401007	G-Bearing SKF 6204
26	103000355	G-Bearing Guide Ring & Wearing Ring
27	100413010	G-Bearing Seal V-25A
28	103000267	G-Bearing Housing
29	600361011	Carriage Bolt 5/16" x 1"
30	600365014	5/16" Locknut
31	600421000	Grease Nipple 1/8"

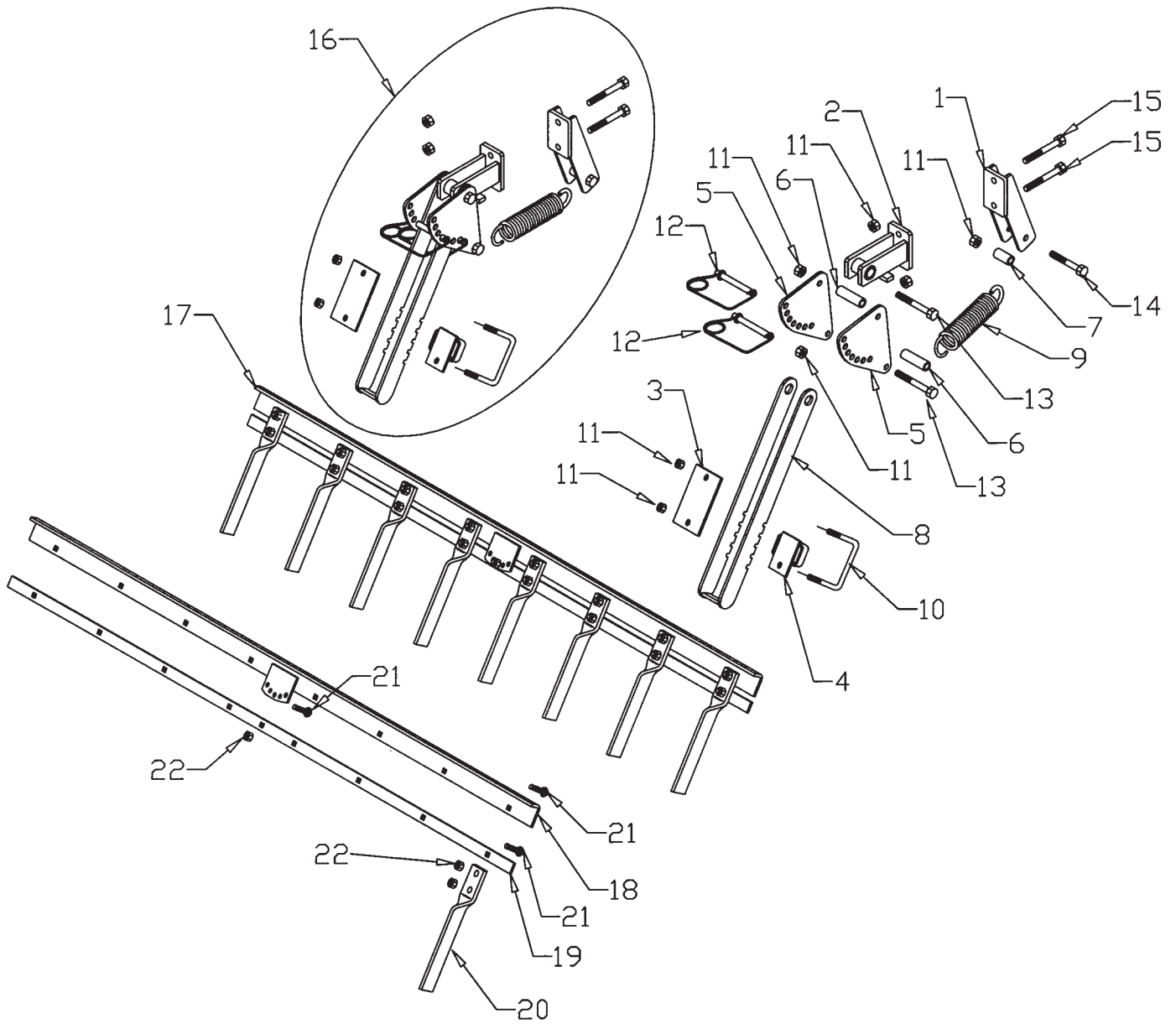


Fig.	Part no.	Description
1	603150826	Spring Mount Weldment - 800
2	603150824	Arm Mount Weldment - 800
3	603150577	Backing Plate Weldment
4	603150609	Lower Spacer Plate Weldment
5	603150589	Spring Adjustment Plate
6	603150600	Arm Mount Bushing - 70mm
7	603150626	Spring Mount Bushing - 42mm
8	603150586	Adjustment Arm Weldment
9	603150617	Extension Spring
10	600373078	U-Bolt 1/2" x 3.75" x 4.125"
11	600366005	Locknut 1/2"
12	600383054	Snap Lock Pin 1/2" x 3 1/2"
13	600356105	Bolt 1/2" x 4" Gr.5
14	600356003	Bolt 1/2" x 3" Gr.5
15	600356137	Bolt 1/2" x 3 1/2" Gr.5
16	603150629	Mounting Arm Assembly Complete - 800 (Items 1-15)
17	603150579	4 Spike Leveller Bar Assembly - 750mm
	603150580	6 Spike Leveller Bar Assembly - 1150mm
	603150581	8 Spike Leveller Bar Assembly - 1550mm
18	603150573	Top Harrow Bar Weldment - 750mm
	603150574	Top Harrow Bar Weldment - 1150mm
	603150575	Top Harrow Bar Weldment - 1550mm
19	603150567	Bottom Harrow Bar - 750mm
	603150568	Bottom Harrow Bar - 1150mm
	603150569	Bottom Harrow Bar - 1550mm
20	102060101	Spike - 2 Hole
21	600361038	Carriage Bolt 3/8" x 1 1/2"
22	600366004	Locknut 3/8"

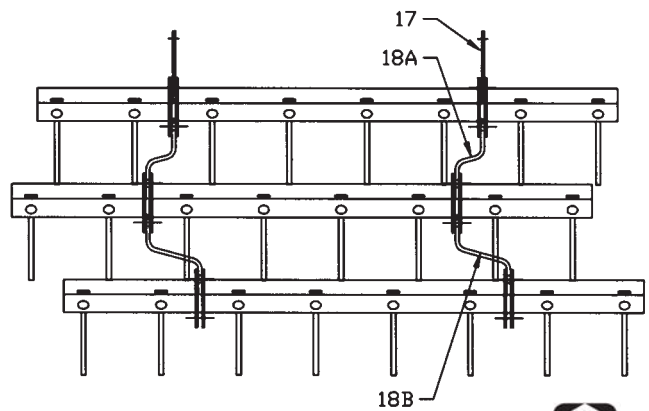
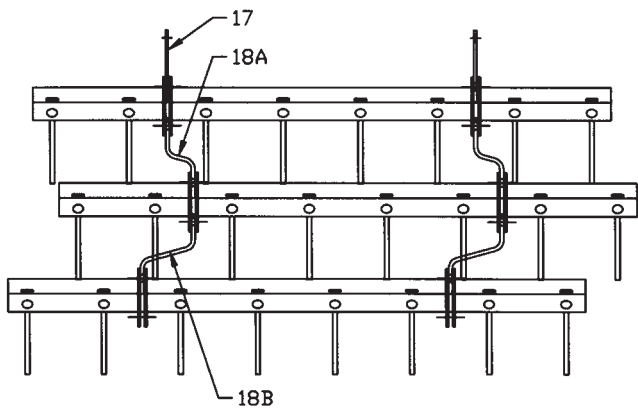
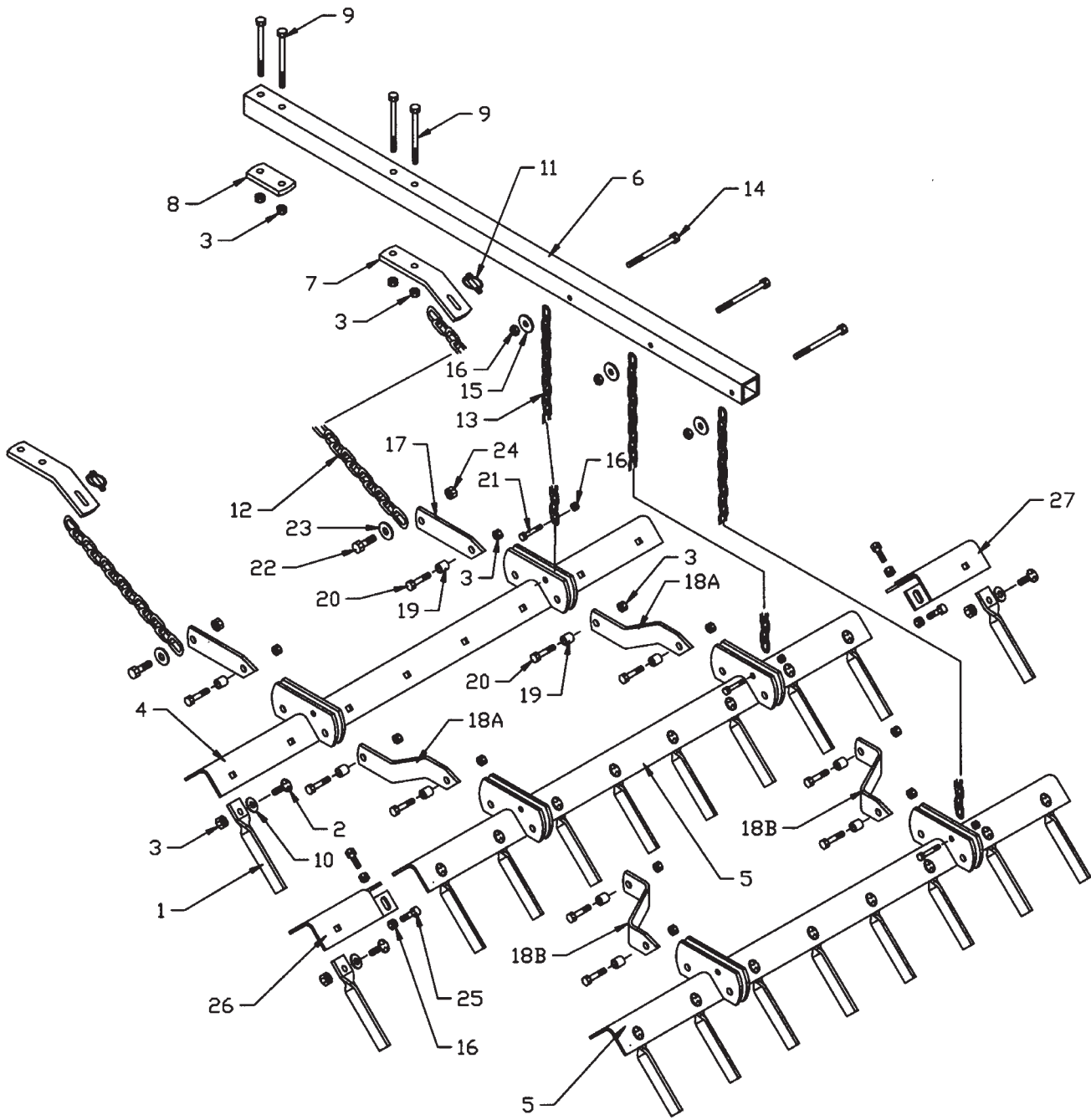


Fig.	Part no.	Description
1	602060100	Drag Spike
2	600361036	Carriage Bolt 1/2" - 13 x 1-1/2"
3	600366005	Locknut 1/2"
4	602060101	Harrow Bar Weldment 700 mm - 4 Spike
	602060102	Harrow Bar Weldment 1100 mm - 6 Spike
	602060-03	Harrow Bar Weldment 1300 mm - 7 Spike
	602060104	Harrow Bar Weldment 1500 mm - 8 Spike
	602060105	Harrow Bar Weldment 1900 mm - 10 Spike
5	602060134	Harrow Bar Assembly 700 mm (Includes Items 1, 2, 3, 4) - 4 Spikes
	602060135	Harrow Bar Assembly 1100 mm (Includes Items 1, 2, 3, 4) - 6 Spikes
	602060136	Harrow Bar Assembly 1300 mm (Includes Items 1, 2, 3, 4) - 7 Spikes
	602060137	Harrow Bar Assembly 1500 mm (Includes Items 1, 2, 3, 4) - 8 Spikes
	602060138	Harrow Bar Assembly 1900 mm (Includes Items 1, 2, 3, 4) - 10 Spikes
6	602060206	3 Bar Hanger Arm Tube
7	602060207	Pull Link Bracket
8	602060208	Backing Plate
9	600356134	Bolt 1/2" x 5-1/2"
10	600381050	Flatwasher 1/2"
11	600331014	Lynch Pin 5/16" x 1-1/2"
12	602060197	Draw Chain
13	602060140	Hanger Chain
14	600356019	Bolt 3/8" x 3"
15	600381006	Flatwasher 3/8"
16	600366004	Locknut 3/8"
17	602060114	Straight Joiner Link*
18A	602060118	Offset Joiner Link - 67 Right (3 Bar)*
18B	602060117	Offset Joiner Link - 134 Left (3 Bar)*
19	602060112	Bushing
20	600356139	Bolt 1/2" x 1-3/4"
21	600356115	Bolt 3/8" x 1-1/2"
22	600356145	Bolt 3/4" x 2"
23	600381009	Washer 3/4"
24	600366007	Locknut 3/4"
25	600356016	Bolt 3/8" x 1-1/4"
26	602060193	Harrow Bar Extension - LH
27	602060194	Harrow Bar Extension - RH
	602060480	Harrow Bar Extension Kit - LH (Includes items 1, 2, 3, 16, 25 & 26)
	602060481	Harrow Bar Extension Kit - RH (Includes items 1, 2, 3, 16, 25 & 27)
*		*NOTE: Diagrams show offset links assembled for shallow working angle. For steep angle setting, flip offset brackets over and assemble opposite to diagram.

