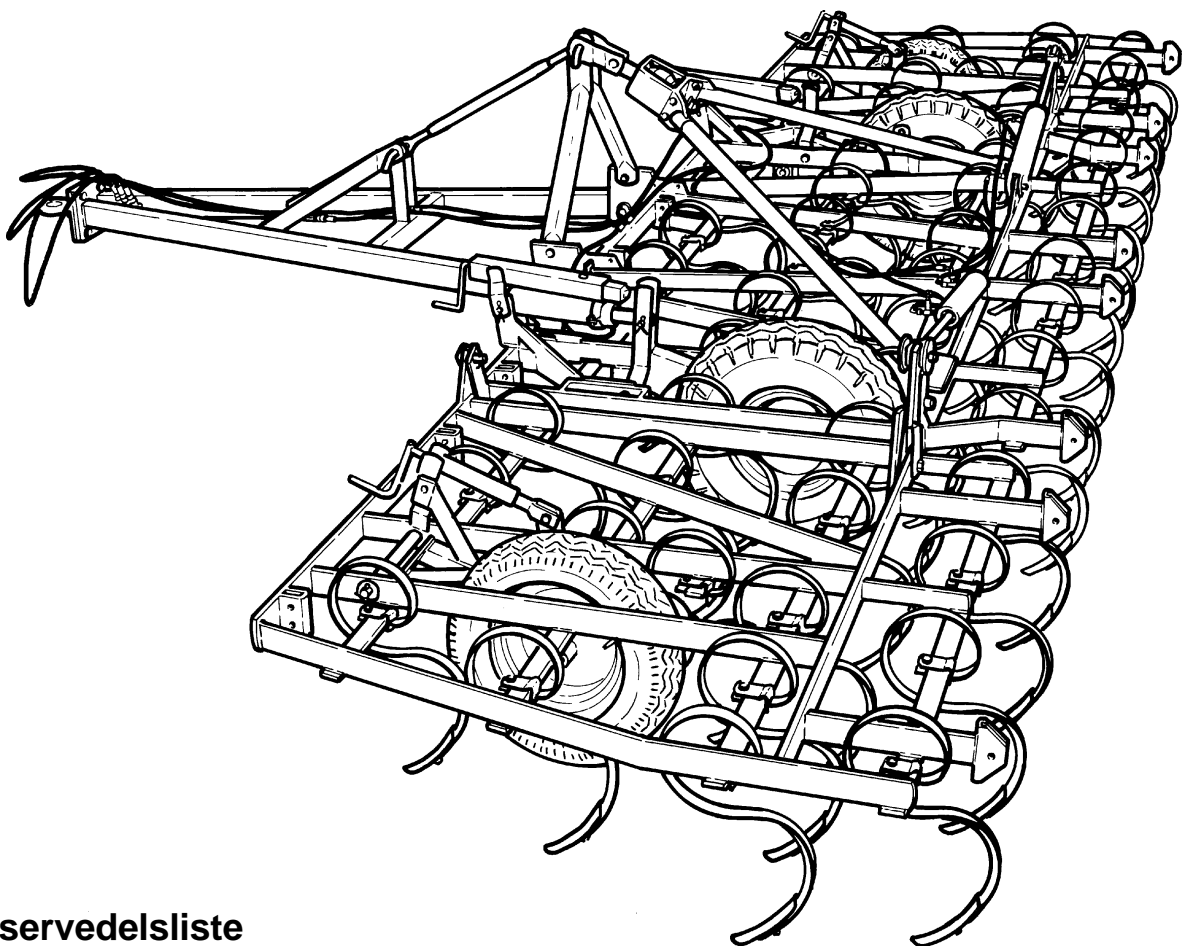


PGC



**Reservedelsliste
Spare parts list
Ersatzteilliste
Onderdelenlijst
Liste de pièce de rechange
Lista dei pezzi di ricambio**

PGC Pull-Type

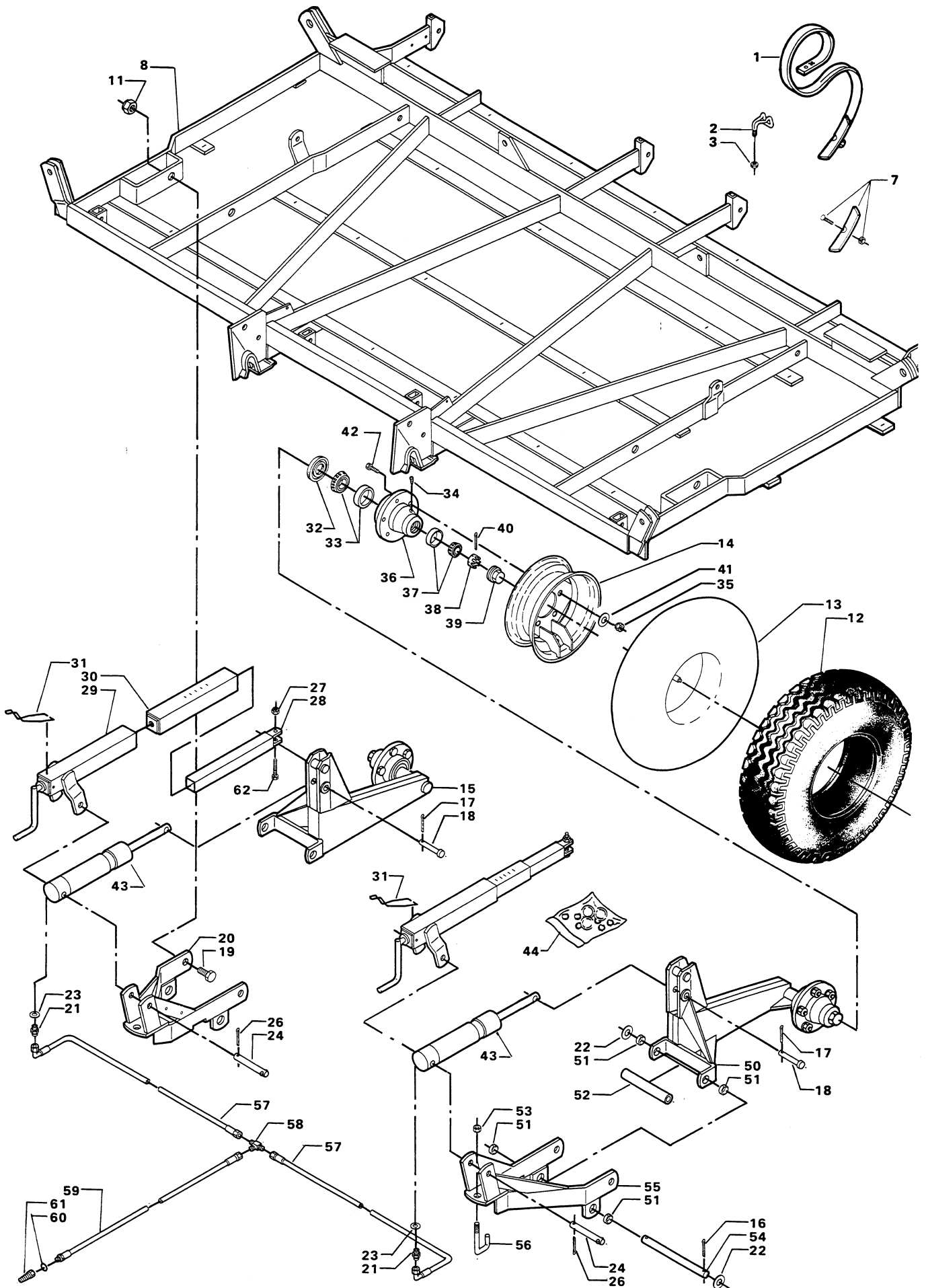


Fig.	Serial no.	Part no.	Pieces	Notes
1 2 3 Cpl: 7		101 000 669 101 000 734 100 315 016 101 000 507 101 000 640	1 1	Nut M12 Fig. 2 + 3
8 11 12		101 111 001 101 117 001 101 118 001 100 316 010 100 423 001	1 1 1 4 1	Type: SGC 29 Type: SGC 25 Type: SGC 33 Lock nut M24 7,00 x 12" /4 PLY
13 14 Cpl: 15 16		100 423 002 101 000 322 101 200 291 101 110 173 100 333 008	1 1 2 1 4	7,00 x 12" 4,25" x 12" Fig. 12 - 14 Split pin \varnothing 8 x 40 mm
17 18 19 20 21		100 333 008 103 090 066 100 323 056 101 110 159 100 420 045	2 2 4 1 2	Split pin \varnothing 8 x 40 mm \varnothing 19 x 103 mm Set screw M24 x 50 mm 3/8"
22 23 24 26 27		100 381 018 100 413 055 101 110 205 100 333 008 100 316 004	4 2 2 2 2	Flat washer \varnothing 1" Sealing ring \varnothing 17 x 1,5 mm \varnothing 19 x 148 mm Split pin \varnothing 8 x 40 mm Lock nut M10
28 29 30 31 32		101 110 255 101 110 186 101 110 258 101 000 064 100 423 027	2 2 2 2 1	\varnothing 72/42 x 10 mm B2
33 34 35 36 37		100 402 001 100 421 000 100 316 065 100 423 003 100 402 000	1 1 5 1 1	Ball bearing #30 207 Grease nipple M6 Nut 1/2" - 20 UNF Type: HCL 35 Ball bearing #30 205
38 39 40 41 42		100 316 016 100 423 004 100 333 009 100 331 070 100 323 037	1 1 1 5 5	7/8" - 14 UNF M55 x 2 mm Split pin \varnothing 4 x 36 mm Washer C12,5 Set screw 1/2" - 20 UNF x 1 1/2"
Cpl: 43 44 50 51		101 110 204 101 000 511 101 000 798 101 110 174 101 090 163	2 2 1 1 8	Fig. 32 - 42 \varnothing 50 x 200 mm Repair set for \varnothing 50 x 200 mm \varnothing 32/26 x 12 mm
52 53 54 55 56		101 110 184 100 316 006 105 000 670 101 110 160 101 110 411	2 2 2 1 2	Lock nut M16
57 58 60 61		101 110 211 100 420 057 101 110 210 100 413 047 100 420 042	2 1 1 1 1	3/8" x 1320 mm 3/8" 3/8" x 4000 mm Sealing ring \varnothing 17,86 x 2,62 mm B 5602-8-10
Cpl:		100 110 209	1	Fig. 59 - 61

SGC 18, 24, 28, 30 & 34

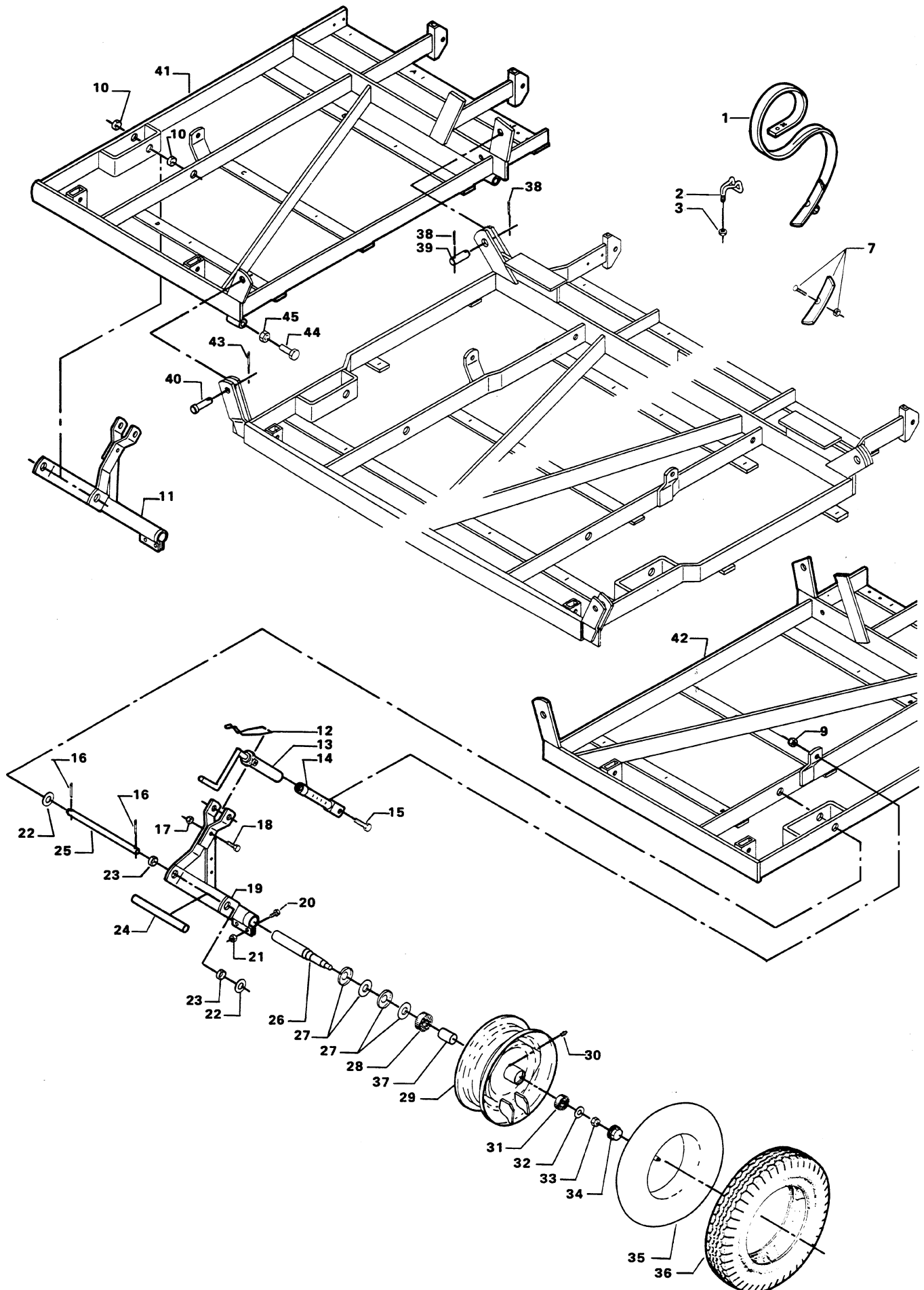


Fig.	Serial no.	Part no.	Pieces	Notes
1 2 3 Cpl: 7		101 000 669 101 000 734 100 315 016 101 000 507 101 000 640	1 1	Nut M12 Fig. 2 + 3
9 10 11 12 Cpl:		100 316 006 101 090 199 101 110 004 101 091 034 101 110 016	2 4 1 2 2	Lock nut M16 Fig 13 + 14
15 16 17 18 19		100 306 056 100 333 008 100 316 005 100 306 044 101 110 005	2 4 2 2 1	Set screw M16 x 45 mm Split pin ø8 x 40 mm Lock nut M12 Set screw M12 x 40 mm
20 21 22 23 24		100 306 030 100 316 004 100 381 018 101 090 199 101 110 137	4 4 4 4 2	Set screw M10 x 30 mm Lock nut M10 Flat washer ø1"
25 26 27 28 29		101 110 415 100 423 035 100 423 036 100 401 030 100 423 034	2 1 2 1 1	Seal cover Z007 Ball bearing # 6206
30 31 32 33 34		100 421 000 100 401 008 100 423 038 100 316 006 100 423 037	1 1 1 1 1	Grease nipple M6 Ball bearing # 6205 Washer ø34/17 x 3 mm Lock nut M16 M52 x 1mm
35 36 37 Cpl: Cpl:		100 423 040 100 423 039 100 423 055 105 000 442 105 000 476	1 1 1 2 1	6.00 x 12" 6.00 x 12"/6 PLY Spacer ø35 x 2 x 49.2 mm Fig. 26 - 37 Repair kit: Fig. 27, 28, 31, 32, 33, 34, 37
38 39 40 41		100 333 029 101 110 410 101 000 786 101 113 025 101 114 001	4 2 2 1 1	Split pin ø8 x 50 mm Type: SGC 18 Type: SGC 24
42		101 119 001 101 115 001 101 116 001 101 113 026 101 114 002	1 1 1 1 1	Type: SGC 28 Type: SGC 30 Type: SGC 34 Type: SGC 18 Type: SGC 24
43 44		101 119 002 101 115 002 101 116 002 100 333 008 100 306 066	1 1 1 2 4	Type: SGC 28 Type: SGC 30 Type: SGC 34 Split pin ø8 x 40 mm Set screw M20 x 60 mm
45		100 315 019	4	Nut M20

SUPER Q 18, 24, 28, 30 & 34

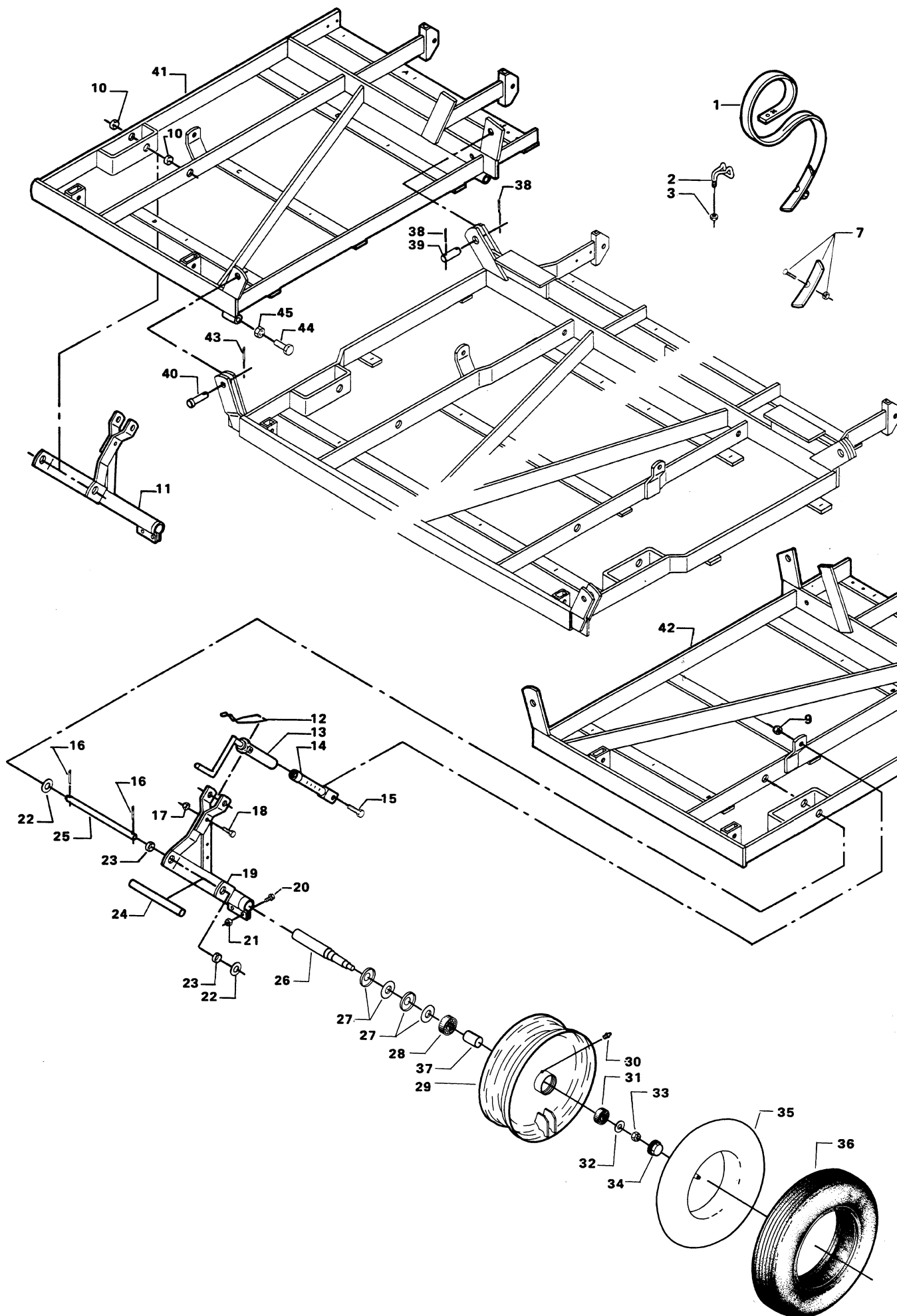
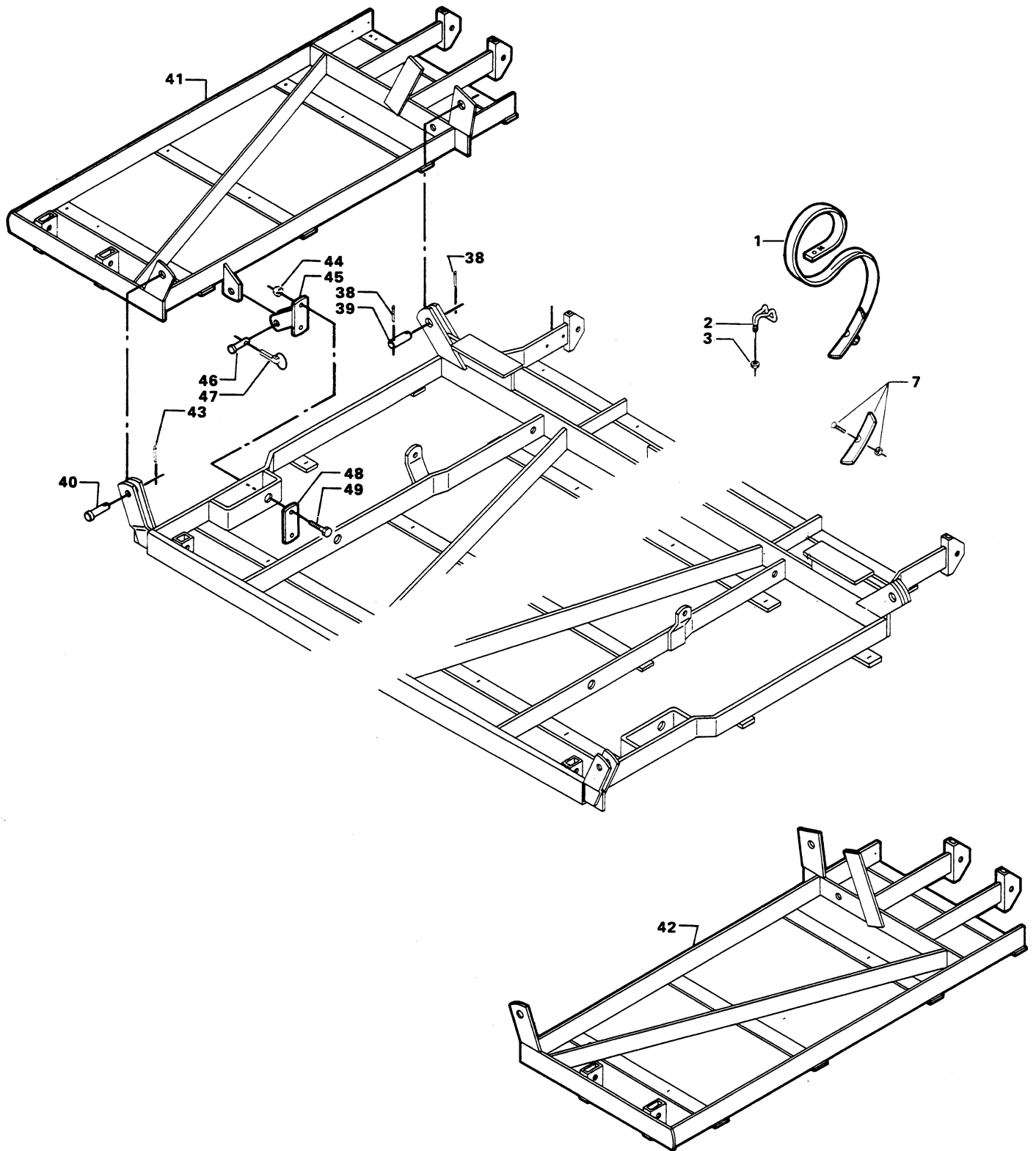


Fig.	Serial no.	Part no.	Pieces	Notes
1 2 3 Cpl: 7		101 000 740 101 000 752 100 315 016 101 000 742 101 000 640	1 1	Nut M12 Fig. 2 + 3
9 10 11 12 Cpl:		100 316 006 101 090 199 101 110 004 101 091 034 101 110 016	2 4 1 2 2	Lock nut M16 Fig 13 + 14
15 16 17 18 19		100 306 056 100 333 008 100 316 005 100 306 044 101 110 005	2 4 2 2 1	Set screw M16 x 45 mm Split pin ø8 x 40 mm Lock nut M12 Set screw M12 x 40 mm
20 21 22 23 24		100 306 030 100 316 004 100 381 018 101 090 199 101 110 137	4 4 4 4 2	Set screw M10 x 30 mm Lock nut M10 Flat washer ø1"
25 26 27 28 29		101 110 415 100 423 060 100 423 036 100 401 030 100 423 063	2 1 2 1 1	Seal cover Z007 Ball bearing # 6206 4.00 x 15 /2.5 mm
30 31 32 33 34		100 421 000 100 401 028 100 423 064 100 316 006 100 423 065	1 1 1 1 1	Grease nipple M6 Ball bearing # 6305 Washer ø40/17 x 3 mm Lock nut M16 M62 x 1 mm
35 36 37 Cpl: 38		100 423 067 100 423 066 100 423 062 101 110 382 100 333 029	1 1 1 2 4	165 x 15 165 x 15/4 PLY Spacer ø35 x 31 x 64.6 mm Fig. 26 - 37 Split pin ø8 x 50 mm
39 40 41		101 110 410 101 000 786 101 113 025 101 114 001 101 119 001	2 2 1 1 1	Type: SGC 18 Type: SGC 24 Type: SGC 28
42		101 115 001 101 116 001 101 113 026 101 114 002 101 119 002	1 1 1 1 1	Type: SGC 30 Type: SGC 34 Type: SGC 18 Type: SGC 24 Type: SGC 28
43 44 45		101 115 002 101 116 002 100 333 008 100 306 066 100 315 019	1 1 2 4 4	Type: SGC 30 Type: SGC 34 Split pin ø8 x 40 mm Set screw M20 x 60 mm Nut M20

SGC/SUPER Q 12



PGC Pull-Type

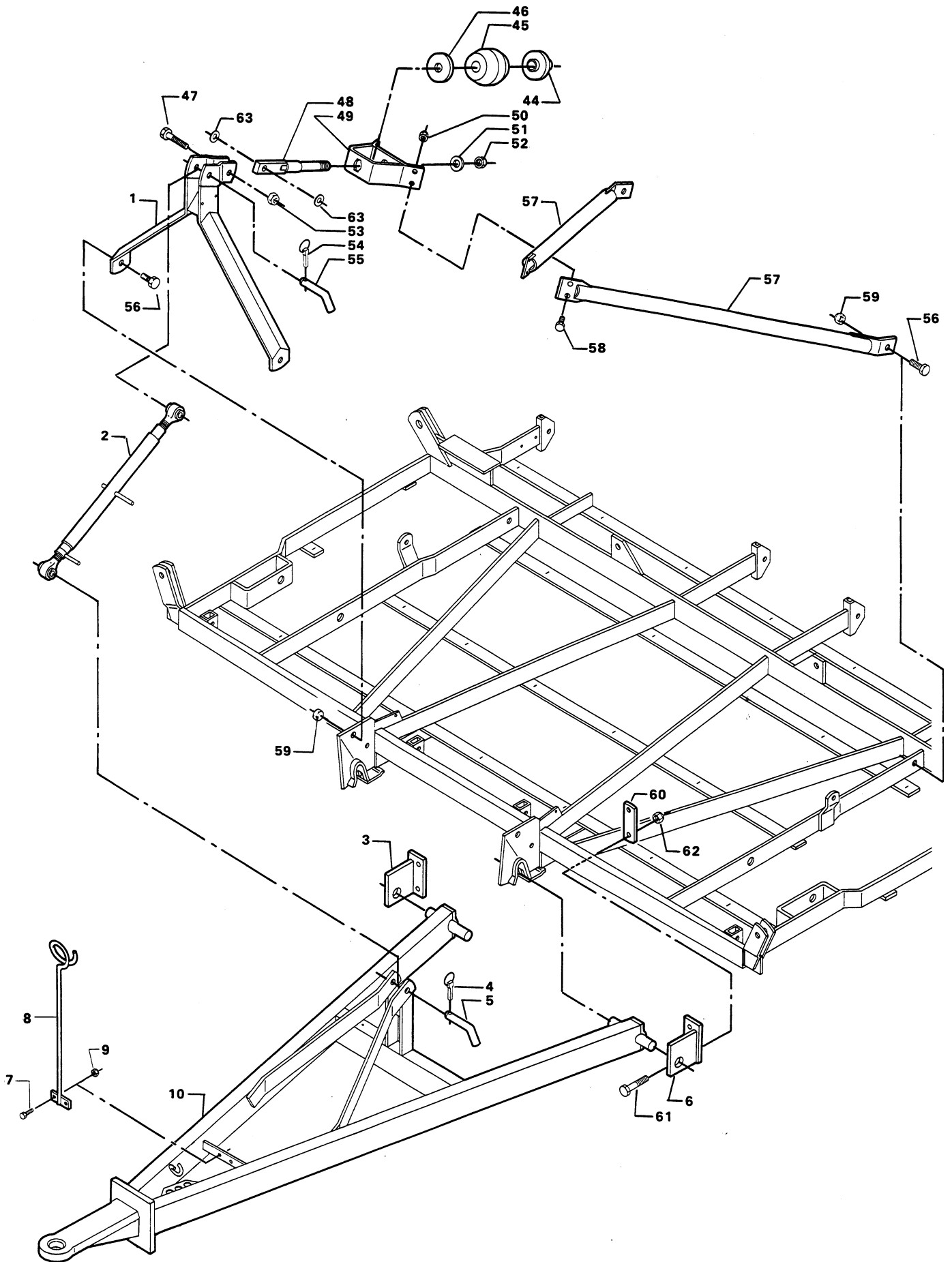


Fig.	Serial no.	Part no.	Pieces	Notes
1		101 110 046	1	
2		101 095 023	1	
3		101 110 195	1	
4		100 333 014	1	Lynch pin \varnothing 9,5 mm
5		105 000 388	1	
6		101 110 196	1	
7		100 306 030	2	Set screw M10 x 30 mm
8		101 200 304	1	
9		100 316 004	2	Lock nut M10
10		101 110 146	1	
44		101 110 037	1	
45		101 000 415	1	
46		101 110 035	1	
47		100 306 069	1	Set screw M20 x 80 mm
48		101 110 031	1	
49		101 110 028	1	
50		100 316 006	4	Lock nut M16
51		101 058 101	1	
52		100 316 010	1	Lock nut M24
53		100 316 007	1	Lock nut M20
54		100 333 014	1	Lynch pin \varnothing 9,5 mm
55		105 000 388	1	Cat. 2
56		100 306 065	4	Set screw M20 x 50 mm
57		101 110 040	2	For SGC/SUPER Q 29
		101 110 274	2	For SGC/SUPER Q 25 & 33
58		100 306 056	4	Set screw M16 x 45 mm
59		100 316 007	4	Lock nut M20
60		101 110 067	2	
61		100 306 061	4	Set screw M16 x 90 mm
62		100 316 006	4	Lock nut M16
63		100 331 009	2	Flat washer M20

PGC 25, 29 & 33

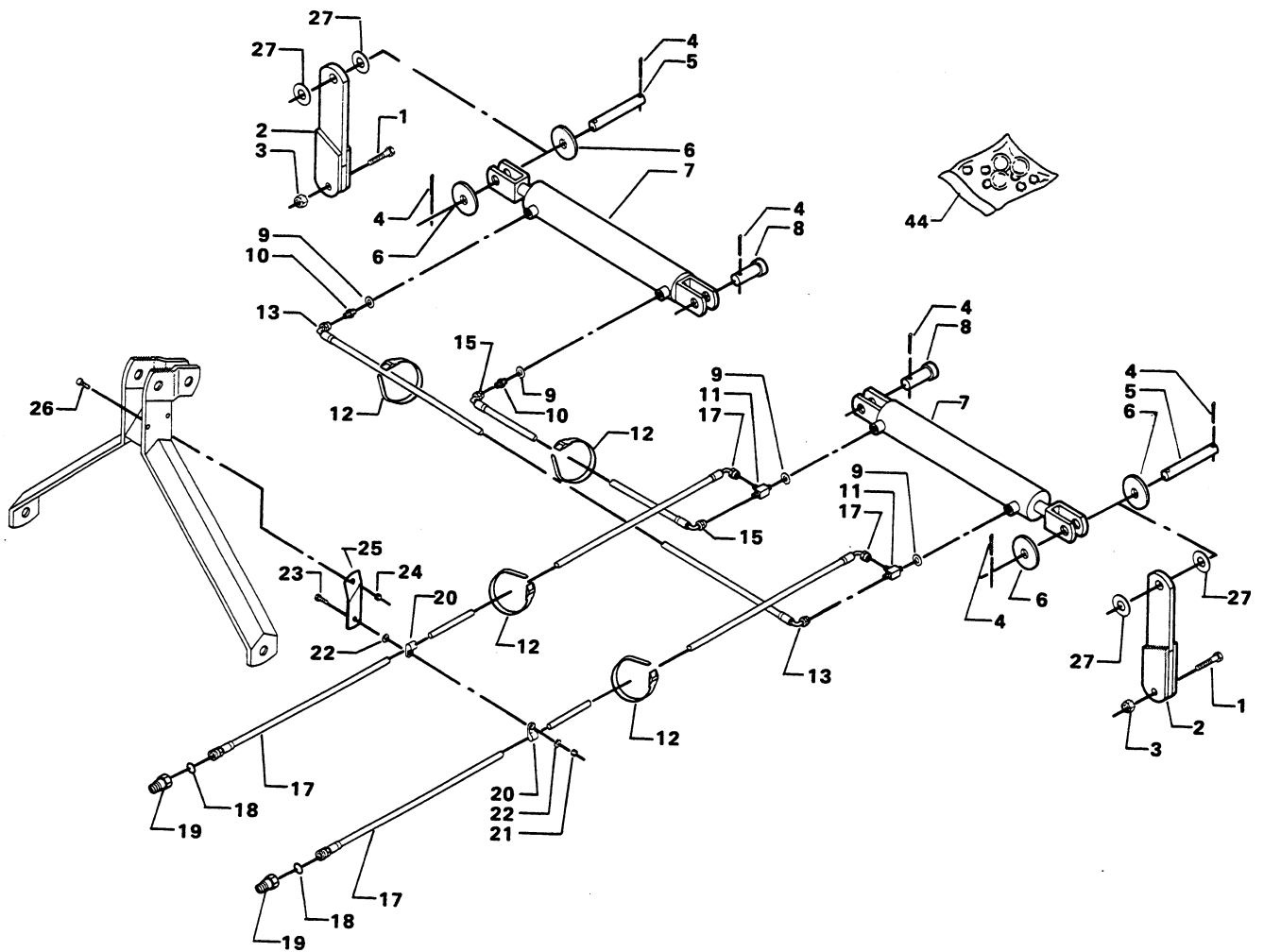


Fig.	Serial no.	Part no.	Pieces	Notes
1		100 306 066	2	Set screw M20 x 60 mm
2		101 110 109	2	
3		100 316 007	2	Lock nut M20
4		100 333 008	6	Split pin \varnothing 8 x 40 mm
5		105 021 200	2	\varnothing 25 x 99 mm
6		105 021 208	4	
7		101 000 310	2	\varnothing 75 x 400 mm
8		101 000 786	2	
9		100 413 042	4	Sealing ring for 1/4" BSP
10		100 420 030	2	Nipple 1/4" - 1/4" BSP
11		100 420 031	2	1/4" BSP
12		100 420 041	8	6,5 x 210 mm
13		101 110 115	1	1970 mm for SGC/SUPER Q 25 & 29
		101 118 022	1	2400 mm for SGC/SUPER Q 33
15		101 110 114	1	1100 mm for SGC/SUPER Q 25 & 29
18		101 118 021	1	1530 mm for SGC/SUPER Q 33
19		100 413 043	1	Sealing ring for 1/2" BSP
Cpl:		100 420 042	1	B 5602-8-10
		101 110 207	2	Fig. 17 - 19, 5330 mm for PGC 25 & 29
		101 110 207	1	Fig. 17 - 19, 5330 mm for PGC 33
20		101 118 079	1	Fig. 17 - 19, 5780 mm for PGC 33
21		100 420 019	2	
22		100 315 028	1	Nut M6
23		100 331 004	2	Flat washer M6
		100 306 001	1	Set screw M6 x 20 mm
24		100 315 012	1	Nut M8
25		105 005 025	1	
26		100 308 002	1	Set screw M8 x 25 mm
27		100 381 018	4	Flat washer 1"
44		101 000 797	1	Repair set for \varnothing 75 x 400

