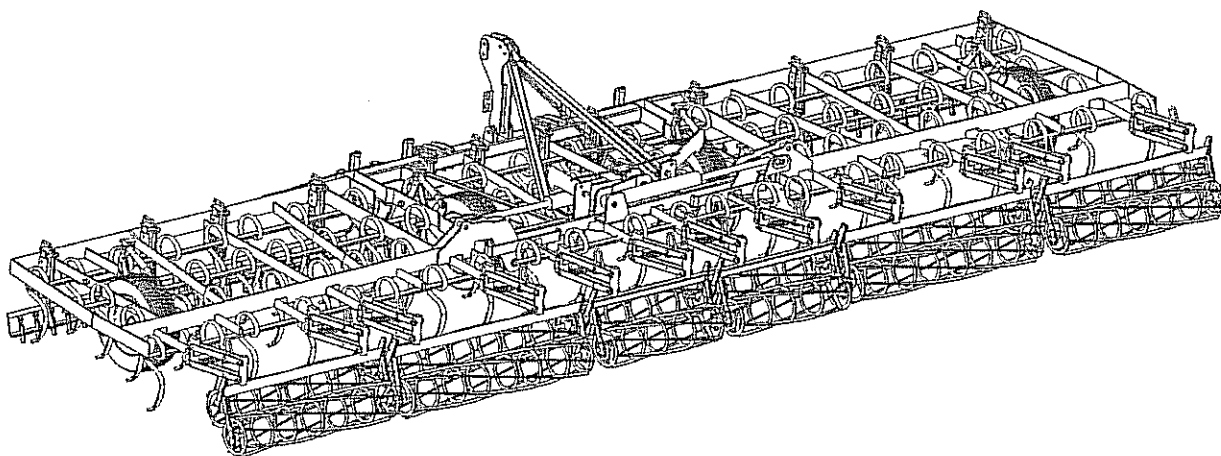


VIBRO MASTER 2500



Tab. 1

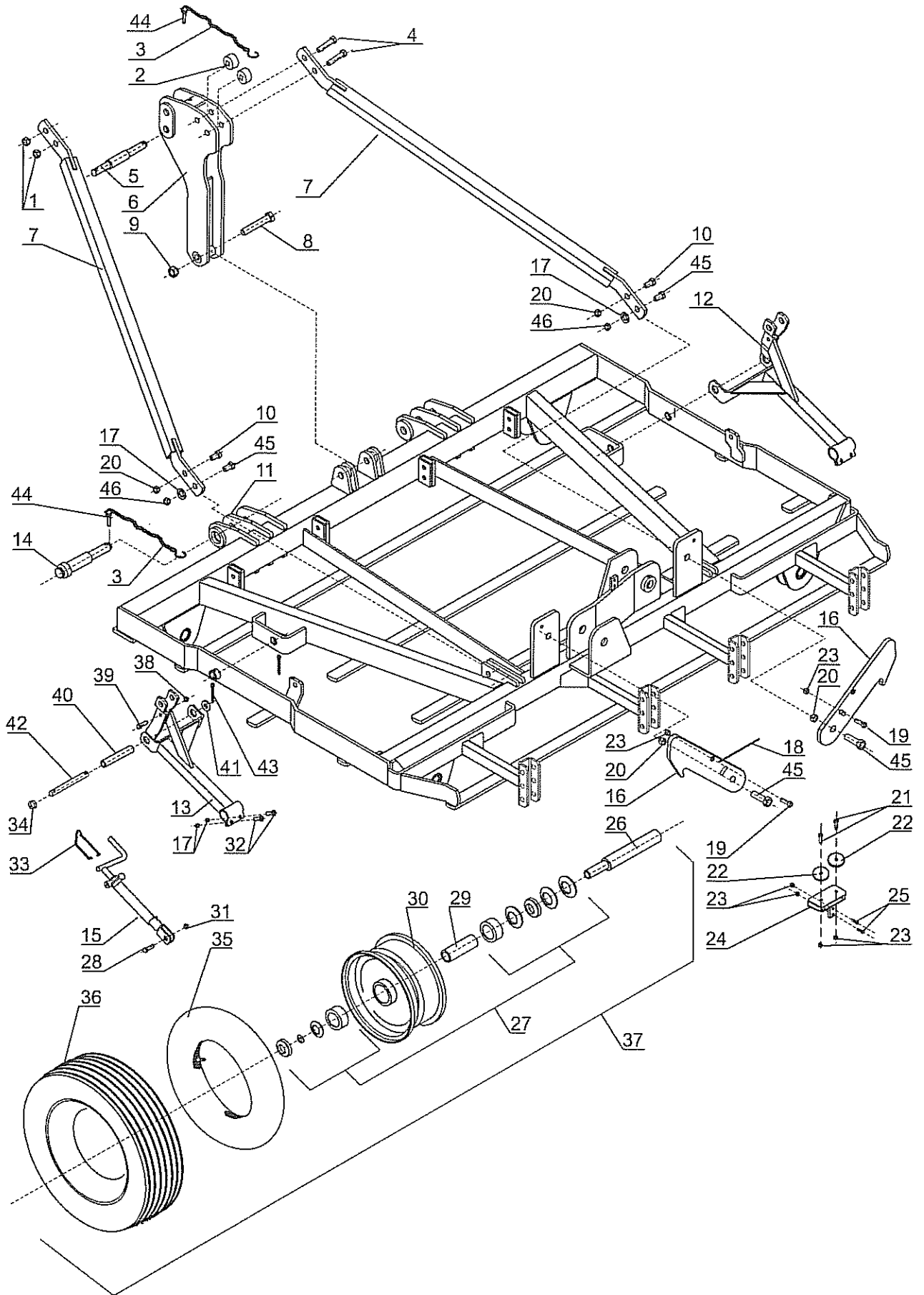
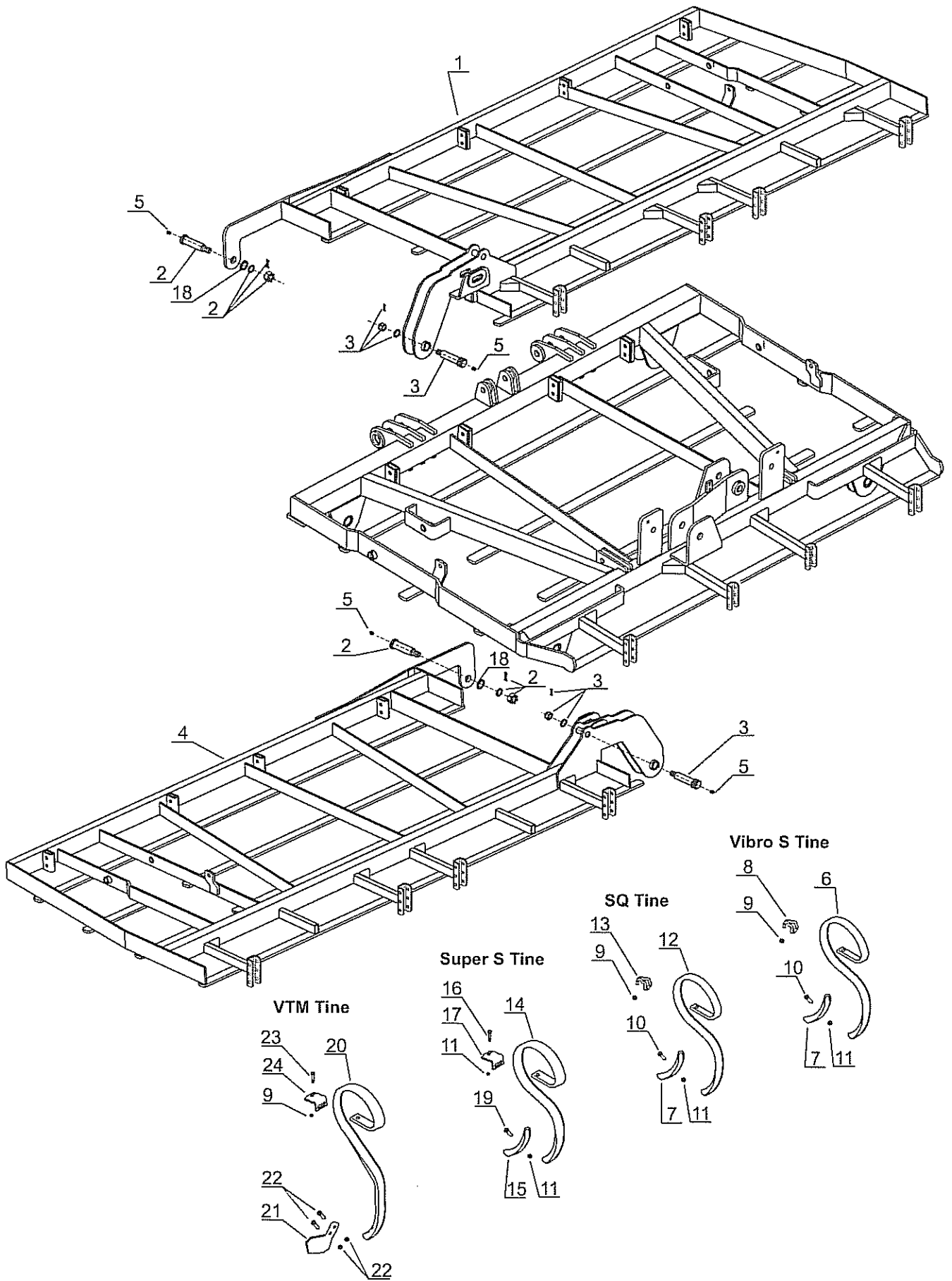


Fig.	Serial no.	Part no.	Pieces	Notes			Tab. 1
1		300316011	2	Nut	M20x1,5	DIN 385	
2		310003553	2	Busch			
3		71000180109	3	Chain			
4		300304252	2	Screw	M20x1,5x110	DIN 931	
5		71918835700	1	Bolt	32x240		
6		310121900	1	Headstock cpl			
7		310146500	2	Arm			
8		300304289	1	Screw	M24x2x200	DIN 960	
9		300316012	1	Nut	M24x2	DIN 985	
10		300304116	2	Screw	M20x60	DIN 931	
11		310146600	1	Central frame			
12		101110 004	2	Wheel arm right			
13		101110005	2	Wheel arm left			
14		300002229	2	Bolt kat 2/3	47,5x230		
15		101110016	4	Spindel			
16		310003365	2	Hook			
17		300332024	2	Washer	M20	DIN 127B	
18		300002074	1	String			
19		200215563	2	Imbus screw	M8x30	DIN 912	
20		300316016	4	Nut	M20	DIN 985	
21		300304157	2	Screw	M8x35		
22		7202001001	2	Rope pulley			
23		300316027	6	Self locking nut	M8		
24		310158800	1	Frame for pulley			
25		300304156	2	Screw	M8x30		
26		310004002	1	Axle	40x235		
27		310183400	1	Bearing set for wheel			
28		300304093	4	Set screw	M16x45		
29		100423062	1	Spacer	35/31x64,6mm		
30		100423073	1	Rim			
31		300316023	4	Lock nut	M16		
32		300304034	8	Set screw	M10x30		
33		101091034	4	Crank handle spring			
34		101090199	4	Frame bush			
35		100423071	1	Tube	24x8.00-14.5		
36		100423070	1	Tyre			
37		310160400	1	Wheel cpl	24x8.00-14.5		
38		300316021	4	Lock nut	M12		
39		300304058	4	Set screw	M12x40		
40		101110137	4	Wheel arm axle spacer			
41		100381018	4	Flat washer 1"			
42		101110415	4	Tube			
43		100333008	8	Pin	4x40		
44		300323046	3	Linch pin	12x45		
45		300304107	4	Screw	M20x55	DIN 933	
46		300316004	2	Screw	M20	DIN 936	

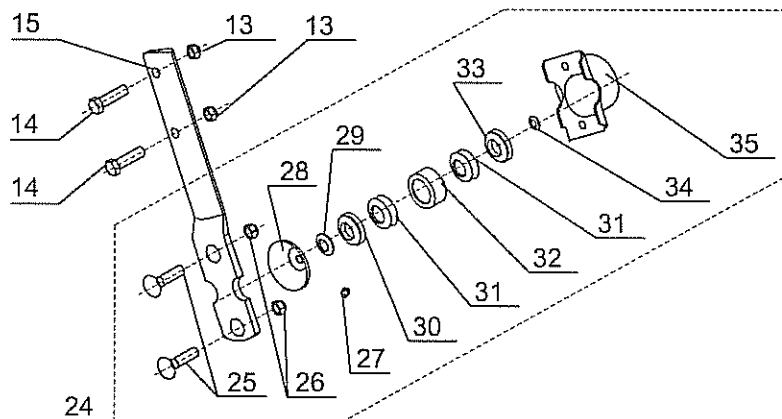
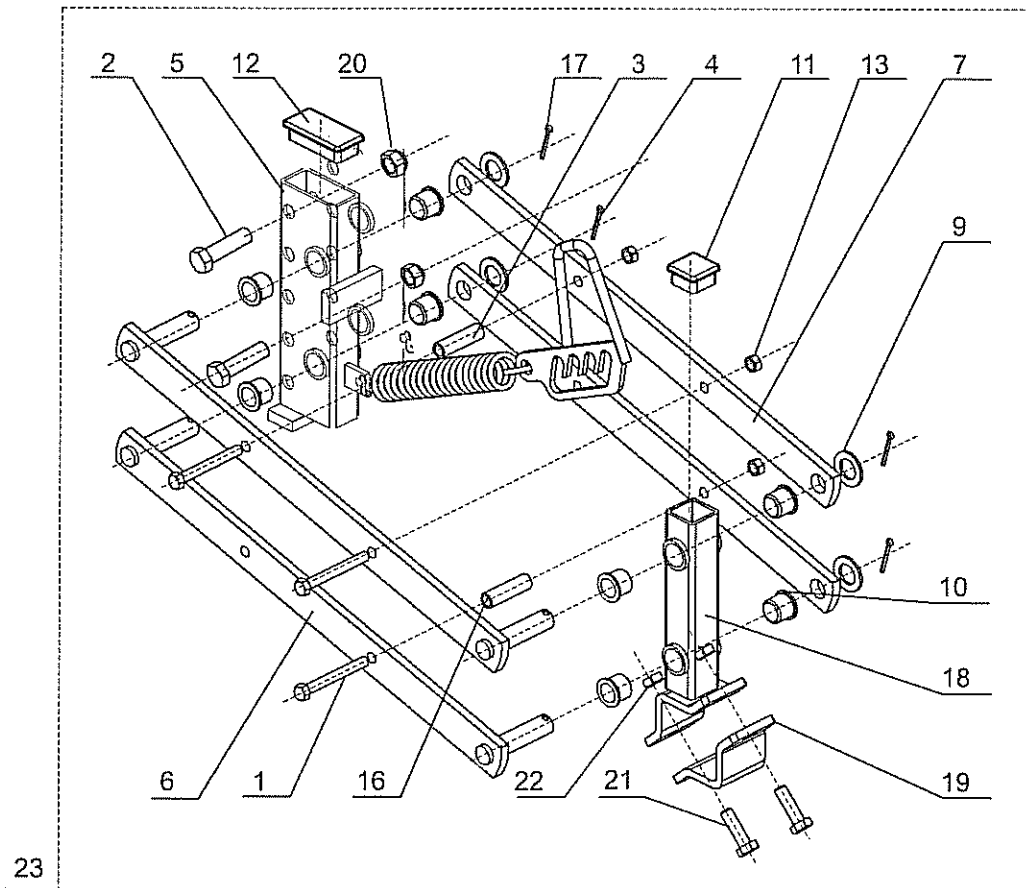
Tab. 2



Tab. 2

Fig.	Serial no.	Part no.	Pieces	Notes
1		310147800	1	Right wing 8.5m
1		310156400	1	Right wing 7.5m
1		310157200	1	Right wing 6.5m
2		310003566	2	Spring pin with nut f35x120mm
3		71208112003	2	Spring pin with nut f30x110mm
4		310146800	1	Left wing 8.5m
4		310156500	1	Left wing 7.5m
4		310157300	1	Left wing 6.5m
5		300421009	4	Grease nipple M10x1
6		101000521	1	Vibro S Tine
7		101000019	1	Share
8		101000693	1	Clamp
9		300315003	1	Nut M12
Cpl		101000507	1	Fig. 8+9
10		100323126	1	Bolt M10x37
11		300315001	1	Nut M10
12		101000745	1	SQ Tine
13		101000813	1	Clamp
Cpl		101000742	1	Fig. 13+9
14		101000949	1	Super S Tine
15		101000948	1	Ultra share 8mm
16		100323097	1	Bolt M10x45
17		101000777	1	Clamp
18		100331065	2	Washer M36
19		100323097	1	Bolt M10x45
20		101000725	1	VTM Tine
21		101002002	1	Share Goosefoot 7cm
22		100323024	2	Bolt + nut M12x48
23		100304036	2	Set screw M12x50
24		101000701	1	Clamp

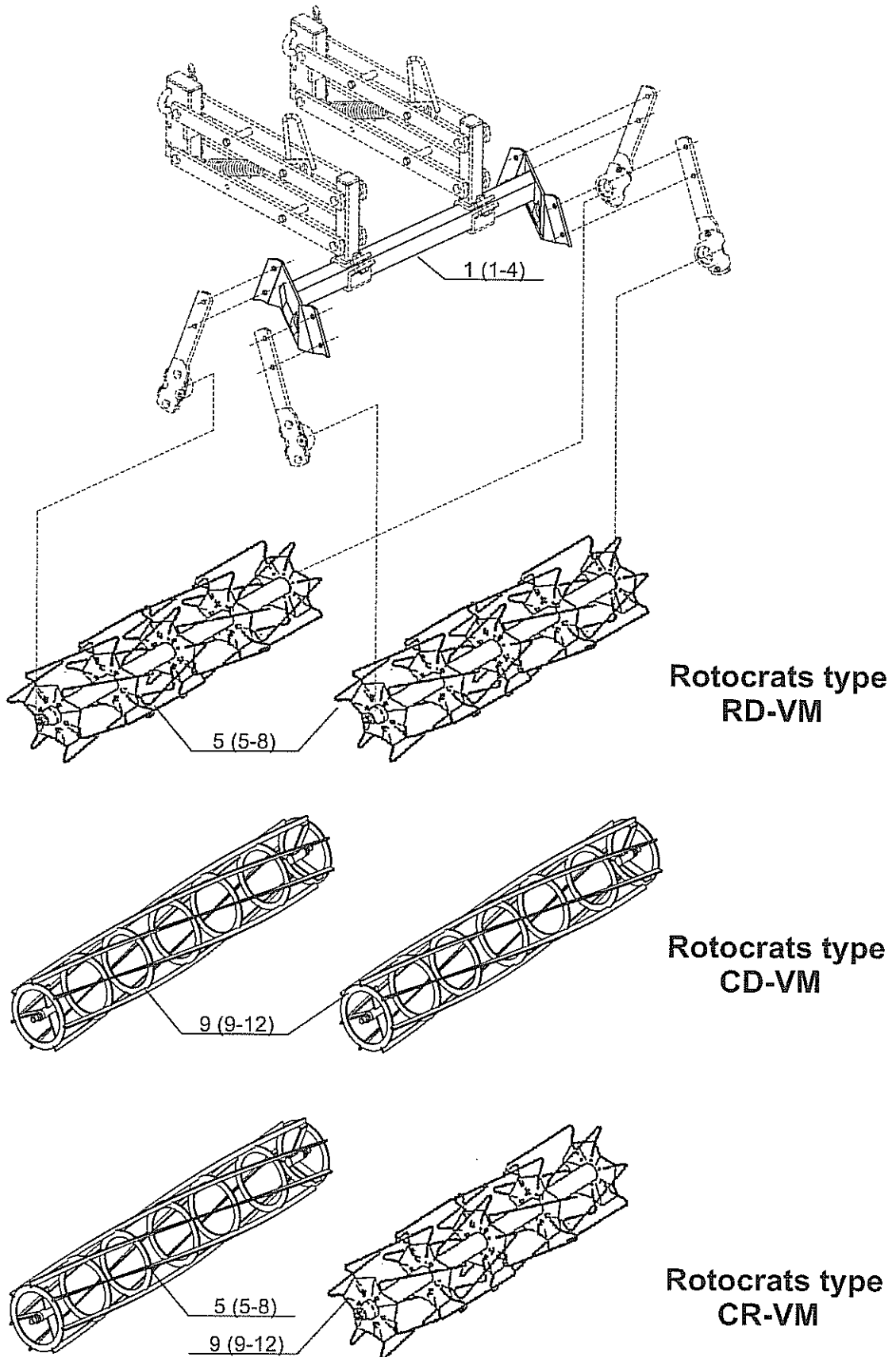
Tab. 3



Tab. 3

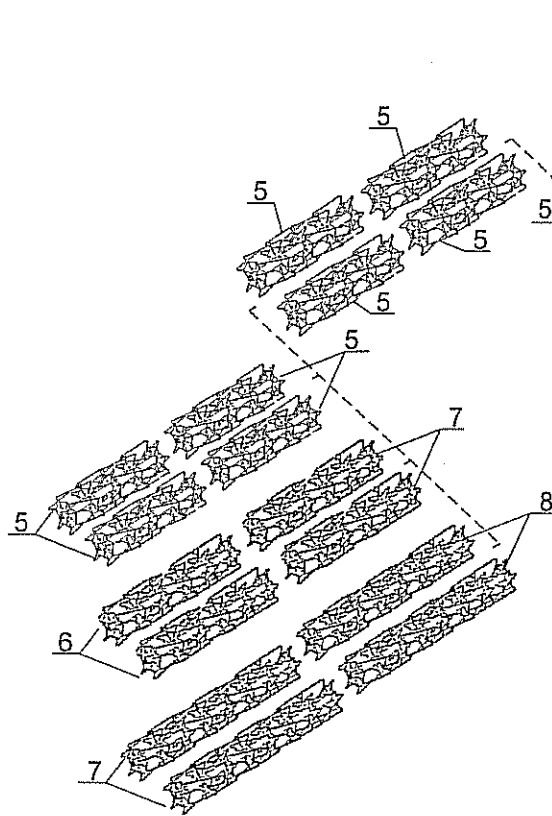
Fig.	Serial no.	Part no.	Pieces	Notes		
1		300304196	3	Screw	M10x85	DIN 933
2		100306109	2	Bolt	M 14 x 80	DIN 931
3		310003465	1	Spring	ƒ34x4x29	
4		310150200	1	Arm		
5		310248900	1	Beam		
6		310149800	2	Arm		
7		310003467	2	Arm		
8						
9		300332034	4	Washer	M20	DIN 126
10		101017013	8	Plastic bush		
11		300082634	1	Plug	40x40x3,2	
12		310003605	1	Plug	80x40x4,0	
13		300316020	5	Lock nut	M10	DIN 985
14		300304034	2	Screw	M10x30	DIN 933
15		103000268	1	Arm		
16		310003997	2	Bushing	16x2,5 L=50 mm	
17		7000547340	4	Pin	4x40	
18		310188100	1	Beam		
19		74000667690	1	Clamp		
20		300316031	2	Nut	M14	DIN 985
21		300304059	2	Bolt	M12x45	DIN 931
22		300316021	2	Lock nut	M12	DIN 985
23		310150500	1/12	Parallelogram cpl.		
24		103000454	1/24	Fig. 25-35, Repair kit		
25			2	Bolt		
26			2	Nut		
27			1	Grase nipple		
28			1	Cap		
29			1	Circlip		
30			1	Cover		
31			2	R-bearing		
32			1	Bearing		
33			1	Cover		
34			1	V-ring		
35			1	Bearing housing		

Tab. 4

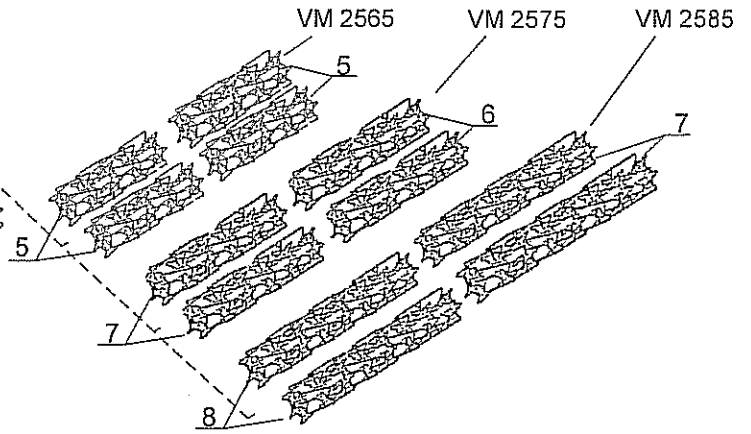


Tab. 4

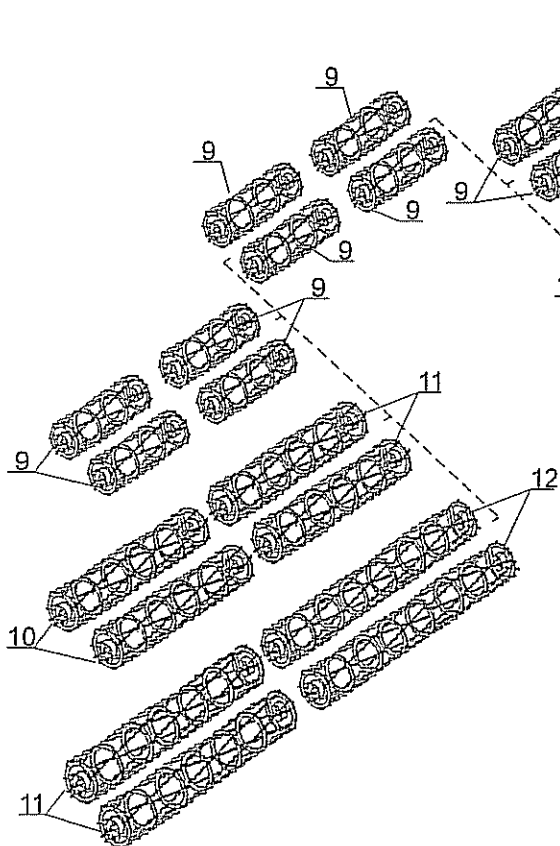
Rotocrats type: RD-VM



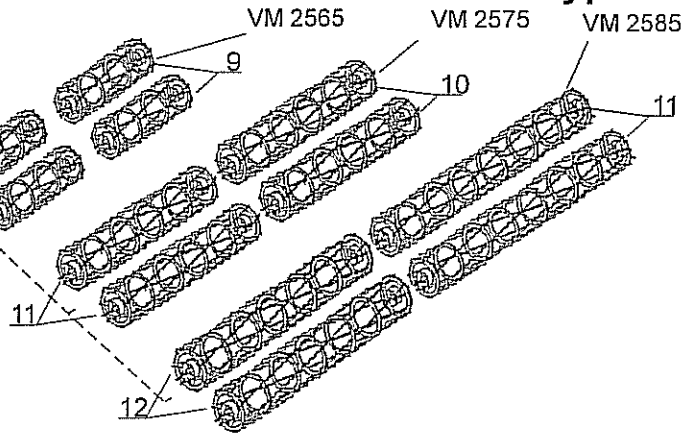
For Cultivators type:



Rotocrats type: CD-VM



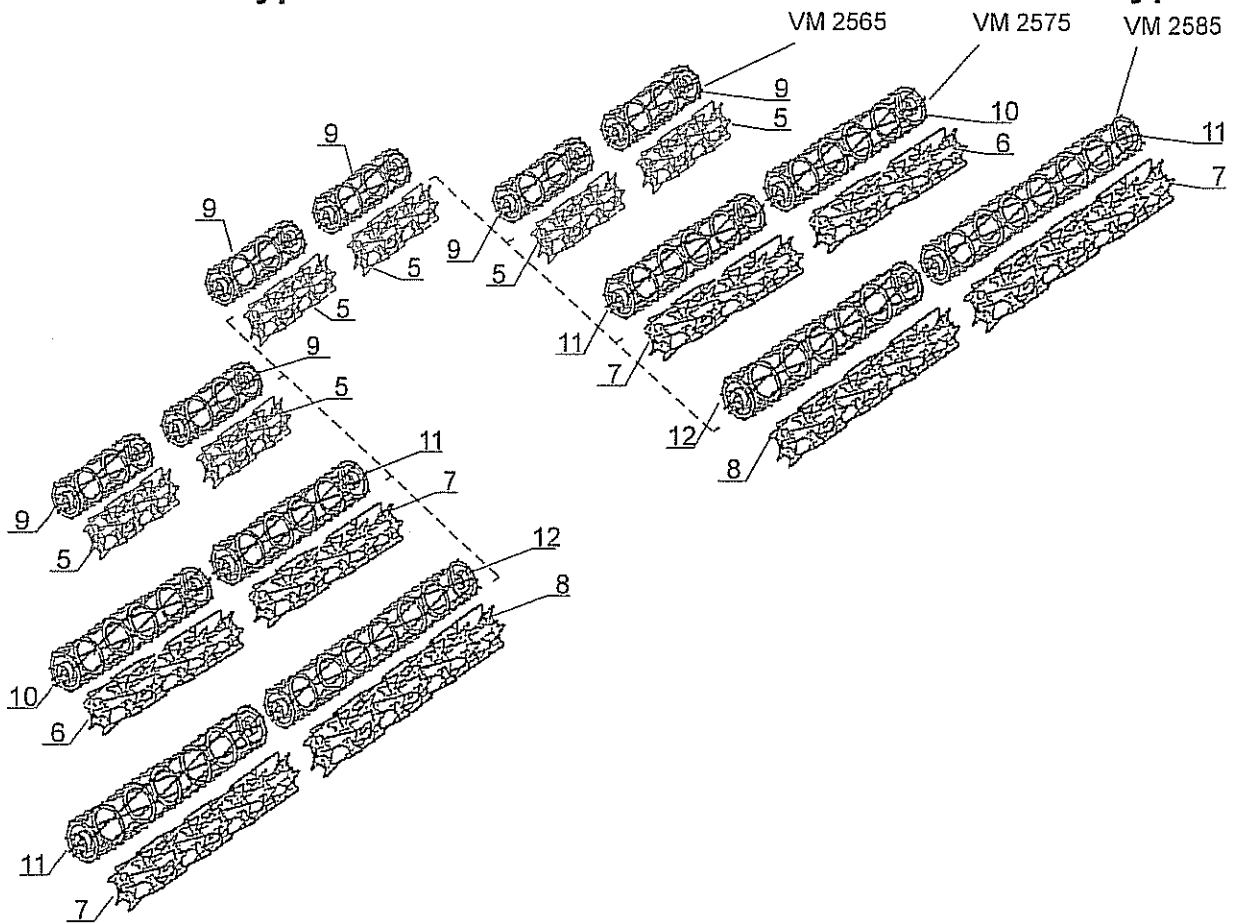
For Cultivators type:



Tab. 4

Rotocrats type: CR-VM

For Cultivators type:

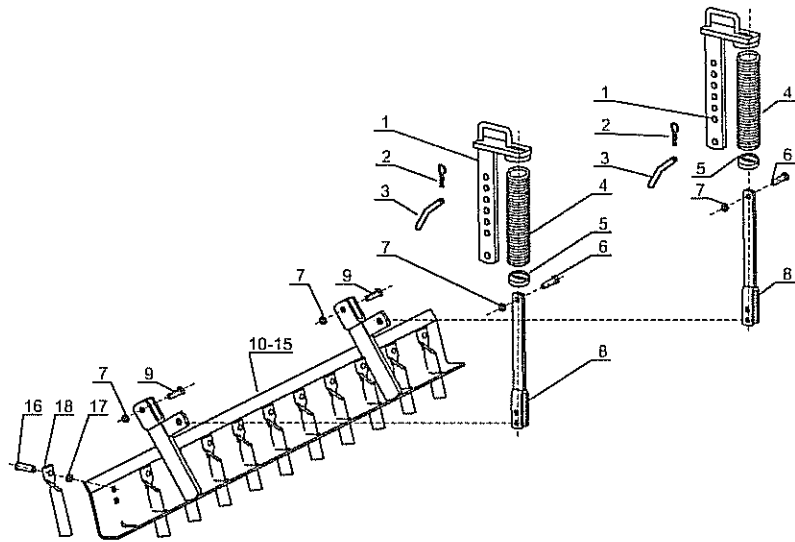




Tab. 4

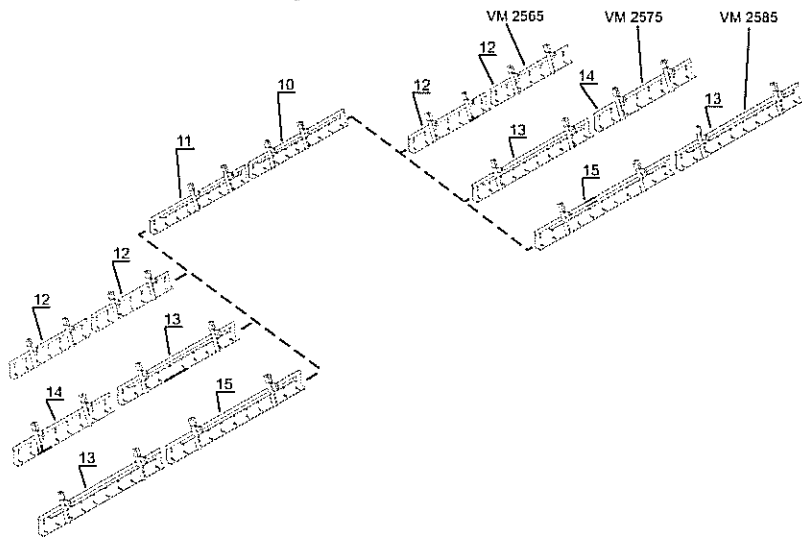
Fig.	Serial no.	Part no.	Pieces	Notes	
1		310192100	1/6	Rollers frame	„1000”
2		310192200	2	Rollers frame	„1200”
3		310192300	2	Rollers frame	„1400”
4		310192400	2	Rollers frame	„1600”
5		103000433	1/2	R-roller	„1000”
5		103000434	1/2	R-roller	„1200”
7		103000435	1/2	R-roller	„1400”
8		103000436	1/2	R-roller	„1600”
9		103018011	1/2	C-roller	„1000”
10		103018012	1/2	C-roller	„1200”
11		103018013	1/2	C-roller	„1400”
12		103018014	1/2	C-roller	„1600”

Tab. 5



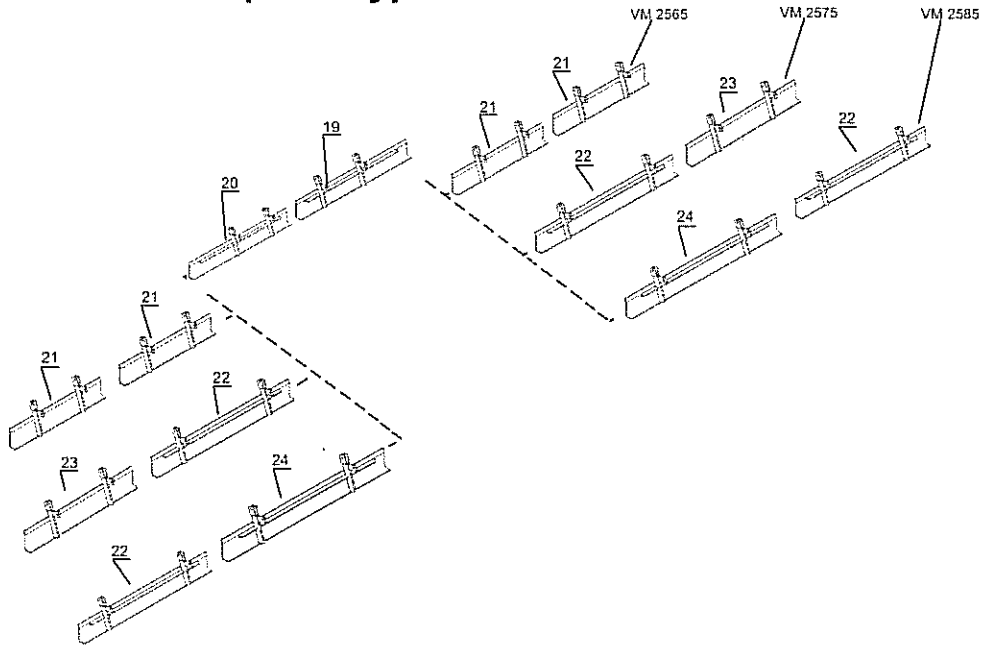
Leveling bars with spikes type: LBS-VM

For Cultivators type:



Leveling bars with out spikes type: LB-VM

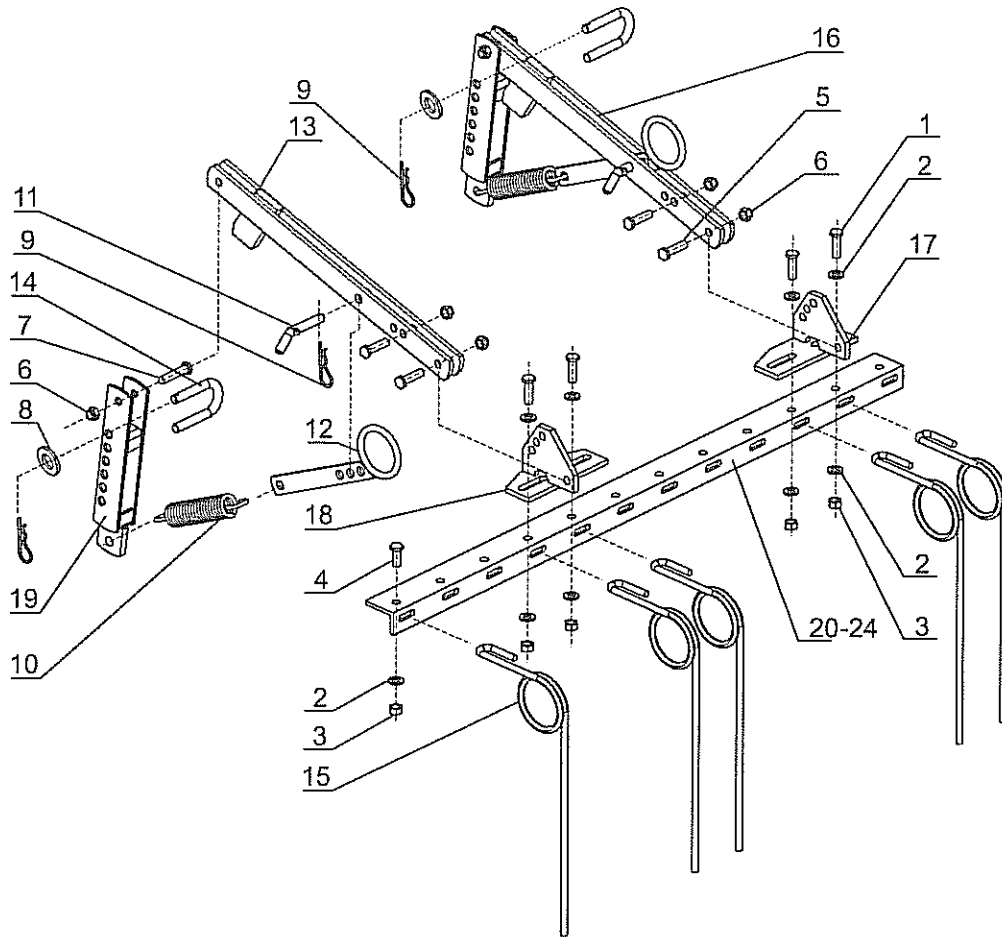
For Cultivators type:



Tab. 5

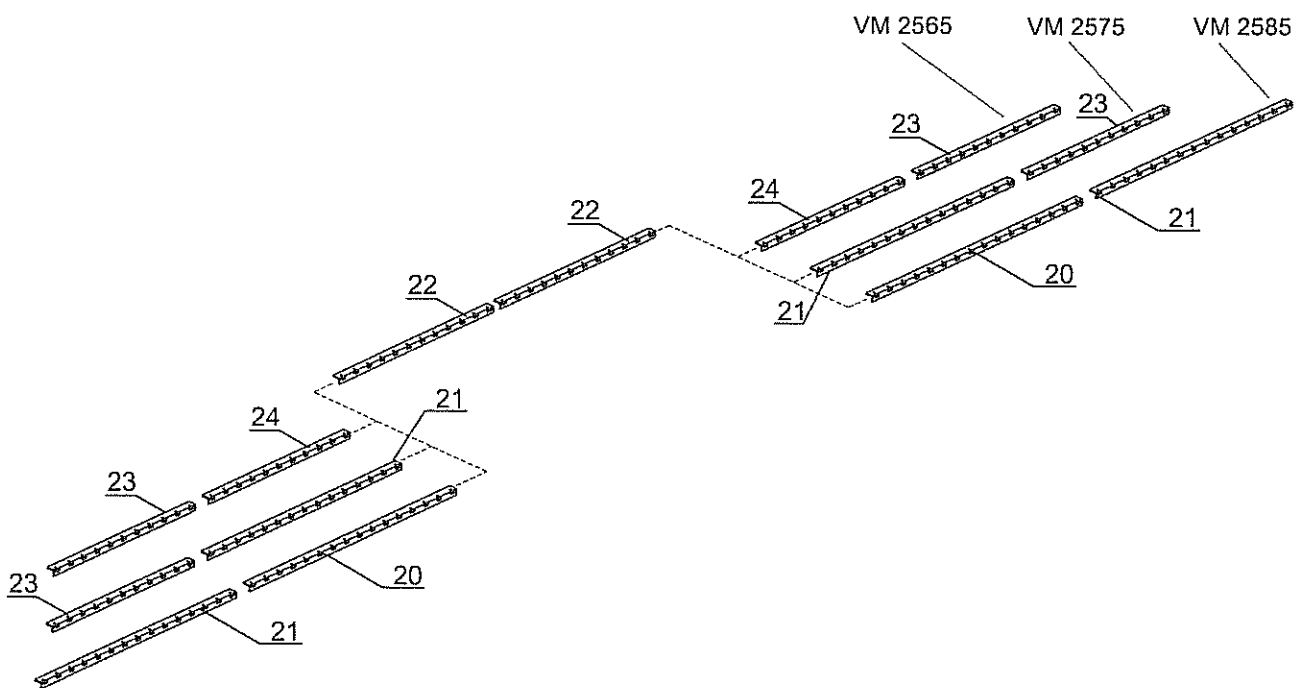
Fig.	Serial no.	Part no.	Pieces	Notes		
1		310138100	2	Arm		
2		100333011	2	Split pin	4mm	
3		104000013	2	Pin		
4		104051013	2	Spring		
5		103040109	2	Waser		
6		300316021	2	Screw	M12x25	
7		300316021	4	Lock nut	M12	
8		104050009	2	Spring arm		
9		300304048	2	Screw	M12x45	
10		310130700	1	Lbs right	Central frame	L=1234
11		310131100	1	Lbs left	Central frame	L=1234
12		310159600	4	Lbs	Wing	L=954
13		310148200	2	Lbs	Wing	L=1374
14		310159700	2	Lbs	Wing	L=1094
15		310148100	2	Lbs	Wing	L=1514
16		100311035	1	Screw	M12x35	
17		300315003	1	Nut	M12	
18		104100000	1	Tine		
19		310249300	1	Lb right	Central frame	L=1234
20		310249400	1	Lb left	Central frame	L=1234
21		310249500	4	Lb	Wing	L=954
22		310249600	2	Lb	Wing	L=1374
23		310249700	2	Lb	Wing	L=1094
24		310249800	2	Lb	Wing	L=1514

Tab. 6



Long finger harrow type: FL-VM

For Cultivators type:



Tab. 6

Fig.	Serial no.	Part no.	Pieces	Notes
1		300304058	4	Screw M12x40mm
2		7000546212		Washer M12
3		300315003		Nut M12
4		300304056		Screw M12x30mm
5		300304048	4	Screw M12x45mm
6		100316005	2	Lock nut M12
7		300304061	2	Screw M12x55
8		300332032	2	Washer
9		100333011	2	Hair pin clip 4 mm
10		103120019	2	Spring
11		104000013	2	
12		103120015	2	
13		103120002	2	
14		310003444	2	U-bolt 14
15		102200065		
16		310173400	2	Arm cpl.
17		102247033	1	
18		102247032	1	
19		310173200	2	Beam
20		310003631	2	Beam L=1560mm
21		310003632	2	Beam L=1460mm
22		310003630	2	Beam L=1160mm
23		310003701	2	Beam L=1060mm
24		310003702	2	Beam L=960mm

Tab. 7

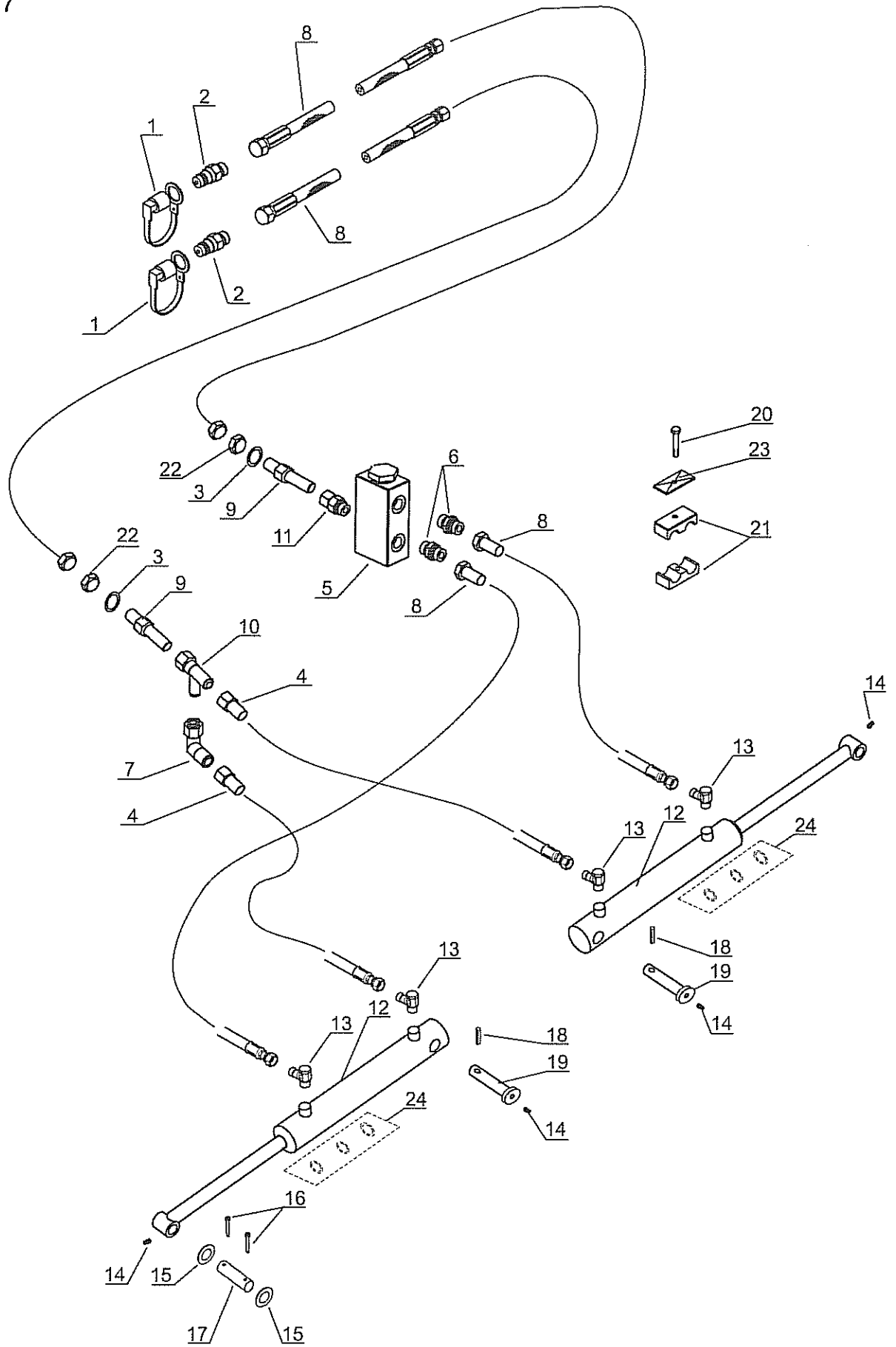


Fig.	Serial no.	Part no.	Pieces	Notes	Tab. 7
1		7000600399	2	Dust cap f. male	
2		7210000125	2	Quickcoupling male	
3		300332056	2	Washer	M18 DIN 74361
4		7210000134	2	Hydr. Hose	PHD AOL 210 2100mm
5		7210000135	1	Divider valve	VDFR 05-001 Po204722 1650021100 VDFR 38-12
6		71202079060	2	Nut	GES 12L-R 3/8-WD
7		300000867	1	Hydr. Coupling - L	M18x1,5
8		300323069	4	Hydr. Hose	PHD AOL 210 1700mm
9		310004092	2	Copling	M18x15
10		7210000165	1	Hydr. Coupling - T	ELS-D 12L
11		7210000128	1	Nut	AVR NW 10 LED
12		310126300	2	Cylinder	CJ-S395-80/40/600
13		7000405785	4	Elbow	M18x1,5x(3/8")
14		300421002	2	Grease nipple	M6x1
15		300332037	4	Washer	M30
16		100333031	4	Split pin	10x56
17		310003464	2	Pin	30x170
18		300323033	2	Spring pin	6x60
19		7002200860	2	Pin	30x131
20		300304019	4	Bolt imbus	M8x40
21		7210000111	8	Holder	RBPR - 218
22		310004091	2	Nut	M18x1,5 S/L
23		7210000107	4	Cover	DP - B2
24		310183600		Sealing kit for hyd. Cylinder	

