

*Stonebear*



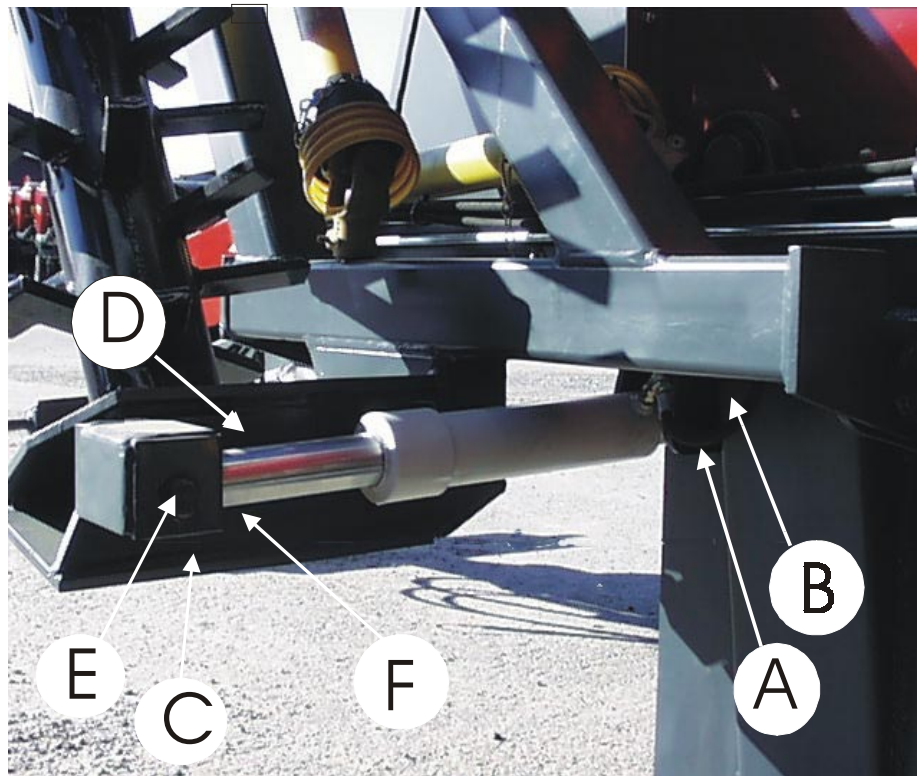
**Hydraulic lifting  
of stonerakes**



## 1. GENERAL

Juko Stonebear can be equipped with an optional lifting system for the stone rakes. The hydraulic system can also be used for lifting rakes during an operation with a limitation of the rake PTO shaft's inward movement. The most highest attention must be paid while using system in this way. The PTO shaft will damage if rakes are lifted so high that the shaft reaches minimum length. The rake lifting system has been designed to use separately in each sides of the machine.

## 2. ASSEMBLING



### ill. 1

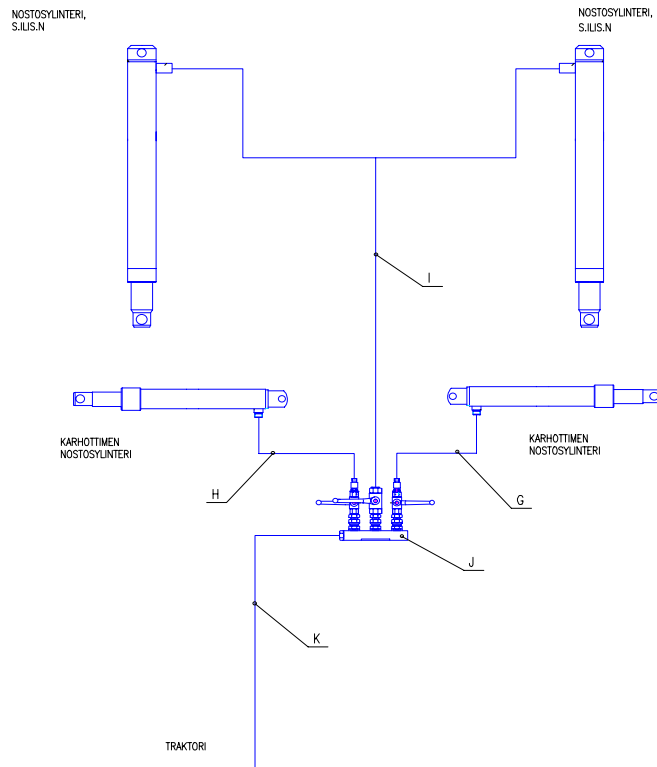
The rakes must be turned on their transportation position.

The hydraulic ram is fitted into the brackets (A) of the frame (standard from -99 models) by means of M10 screws (B).

The direction of the hydraulic ports must be outwards.

The brackets (C) would be fitted to the frame of the rake by means of M30 bolts (D) and the threaded pin (E).

The distance collars (F) are set in both sides of the rod.



## ill 2

The hydraulic hoses are assembled according the ill. 2.

The 1/4" hoses are assembled to lifting hydraulic rams (left hose 4,1m (G) and right 6,4m (H).

The right side hose to be fitted by means of U-brackets behind the sieve (beside the hydraulic tube).

Both hoses are fitted with clamps (incl. in the kit) into the same fitting points of the frame with hydraulic tube

The connector of the original hose (I) is removed and connected into middle 1/2" ball-valve outlet of the divider(J).

The 1/4" hoses coming from lifting rams are connected into the 1/4" ball-valve outlets.

Earlier removed connector is assembled into the divider hose (K).

The single acting hydraulic outlet of the tractor is used.

Finally the divider is fitted in the most convenient .

## **USE INSTRUCTIONS**

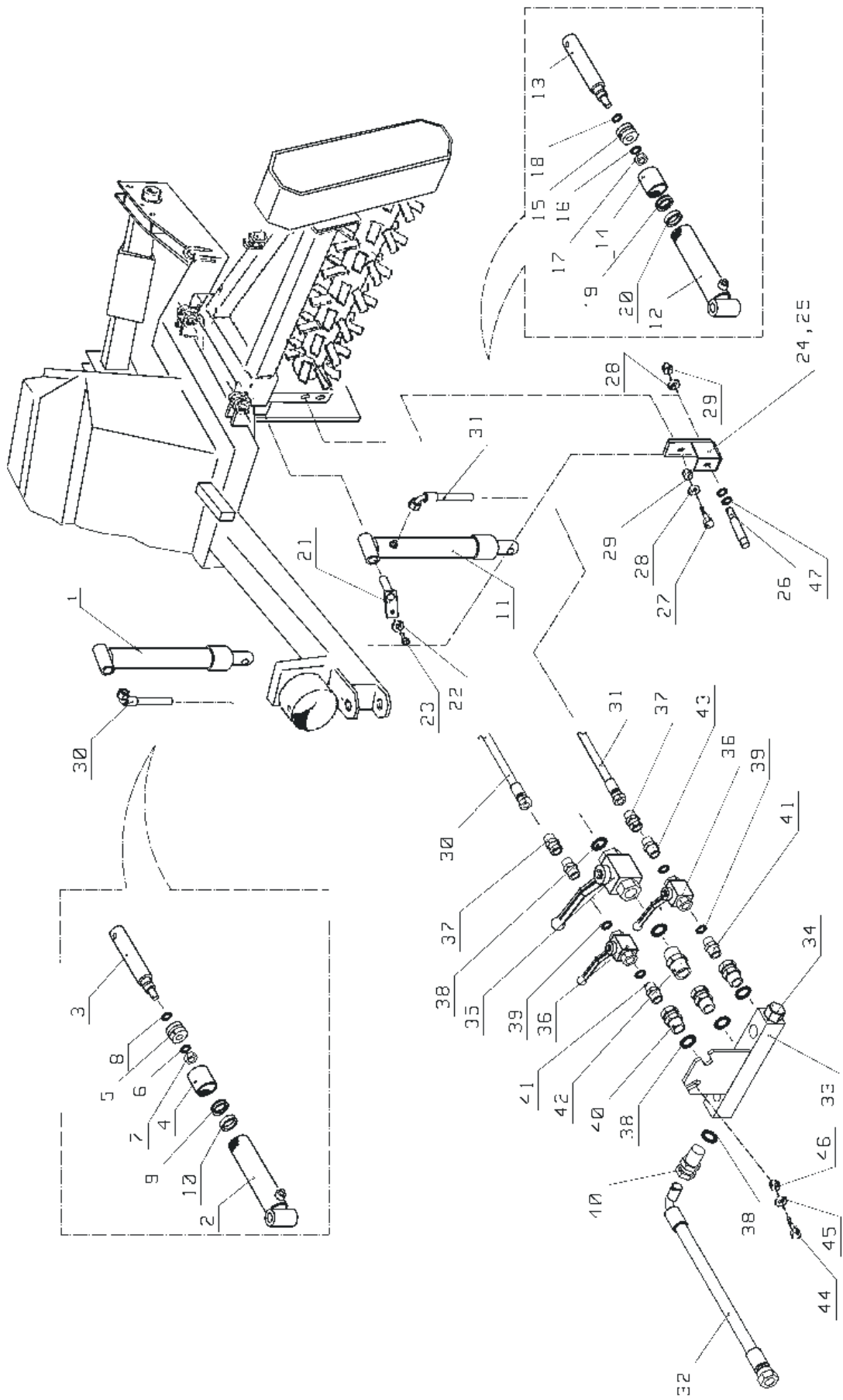
**REMOVE PTO-SHAFTS FROM DRIVE SHAFTS BEFORE LIFTING THE RAKES.** Push the PTO-shafts on the short pins in the rake frame.

Use the dividers ball-valves only for selecting function and the hydraulic operation is done by tractor valve.

**WHEN TIPPING STONE HOPPER THE BALL-VALVES FOR RAKE LIFTING MUST BE CLOSED.**

Secure rakes in the lifted position ( transporting ) with the pins, not only hydraulic system.

**BE SURE THAT THERE ARE NONE NEARER THAN FIVE ( 5 ) METERS WHEN LIFTING THE RAKES.**



Spare parts list/Hydraulic lifting of stonerake

Fig	Pack	Serial no.	Part no.	Pieces	Notes
1			680379	1	
2			68379	1	
3			68381	1	
4			86811	1	
5			850806	1	
6			30903	1	M24
7			59593	1	M24
8			85809	1	OR 29.2*3
9			86819	1	P7-50
10			40814	1	
11			680380	1	
12			68380	1	
13			68381	1	
14			86811	1	
15			850806	1	
16			30903	1	M24
17			59593	1	M24
18			85809	1	OR 29.2*3
19			86819	1	P7-50
20			40814	1	
21			68382	2	
22			10350	2	M8
23			57535	2	M8*16 SFS2064
24			68383	1	
25			68384	1	
26			68385	2	
27			42912	2	M24*60 SFS2064
28			30903	4	M24
29			59593	4	M24
30			68387	1	L=6400 1/4"
31			89840	1	L=4100 1/4"
32			57680	1	L=1600 1/2"
33			68391	1	
34			52359	1	R 1/2"
35			30888	1	R 1/2"
36			87819	2	R 1/4"
37			42546	2	
38			52361	6	1/2"
39			87830	4	1/4"
40			58644	4	R 1/2"
41			90812	2	R 1/2"-R 1/4"
42			54826	1	R 1/2"
43			90820	2	R 1/4"
44			57229	2	M12*30
45			10462	2	M12
46			30968	2	M12
x			35830	1	1/4"
x			90809	4	1/2"
x			30567	10	L=200



**Oy Kongskilde Juko Ltd**  
**Opintie 4**  
**23100 Mynämäki, Finland**  
**Tel. +358 2 439 3200**  
**Fax +358 2 439 3210**  
**e-mail: [mail@ksf.kongskilde.com](mailto:mail@ksf.kongskilde.com)**

**X-0245**  
**21.9.2000**