



# ***2800 SERIES*** **FIELD CULTIVATORS**

Kongskilde  
2800 Series



**\*Model may not be exactly as shown.**  
Kongskilde reserves the right to make changes to product designs and specifications without notice or obligation to rework.

**OWNERS MANUAL**  
**Warranty Certificate**  
**Operating Guide**

# TABLE OF CONTENTS

INTRODUCTION	3
PRODUCT SAFETY PRECAUTIONS	5
SAFETY DEVICES	7
OPERATING INSTRUCTIONS	8
FIELD LEVELLING PROCEDURE	10
OPERATING ADJUSTMENTS	11
PARKING AND STORAGE	14
MAINTENANCE & LUBRICATION	15
HYDRAULICS AND HOSE DIAGRAMS SECTION	SP
TROUBLE SHOOTING CHART	18

# INTRODUCTION

This manual has been developed to assist you in the operating and servicing of your new Kongskilde product. Read it carefully: it will provide you with information that will enable you to obtain years of dependable service.

If you did not receive a warranty registration form, contact your dealer. He will be able to obtain one for you. It is important that the warranty registration be completed and returned to validate the warranty protection period.



## SAFETY PRECAUTIONS

This safety symbol, found throughout this manual, is used to call your attention to instructions concerning the personal safety of the owner or operator.

***Look for this symbol to point out safety precautions. It means ATTENTION! Become ALERT! Your safety is involved.***




Before attempting to operate this equipment, read, and understand this manual fully and follow all safety precautions. In addition, make sure that every individual who operates or works with this equipment is familiar with these instructions. Observation of these safety precautions will make your farm a safer place to work. Read carefully and understand all operating instructions before attempting to operate the machine.

## **Safety Decals and Hazard Alerts:**

The key words - **DANGER**, **WARNING** and **CAUTION** used alone or in combination with the **Safety Hazard Alert Symbol** used in this Operators Manual and on Safety Decals located on the framework of the machine, are used to identify hazards on or near the implement.

**Safety Instructions** indicate procedures which must be followed to avoid hazards.

**Hazard Alerts** are identified by the key word, and the symbol: 

**DANGER** - An immediate hazard which WILL result in severe personal injury or death if the proper precautions are not taken.

**WARNING** - A hazard or unsafe practice which COULD result in personal injury or death if the proper precautions are not taken.

**CAUTION** - A hazard or unsafe practice which COULD result in personal injury or in product or property damage if the proper precautions are not taken.

### **Safety Decal Locations:**

Safety Decals are located on the framework of the implement. The specific locations are chosen to provide optimal visibility to the operator or bystanders. In the case of hidden or obstructed hazards or safety precautions, the decals may be located on or near the hazard, or other convenient locations near hook-up points, adjustment devices or service points frequently visited by the operator.

**Please read and obey all safety decals on the machine.** Ensure they are kept clean and in good condition. Kongskilde is committed to safety and provides replacement safety decals and operator manuals at no charge if they become lost, damaged or illegible.

Each safety decal is identified by a part number, and are available through your Kongskilde Dealer.

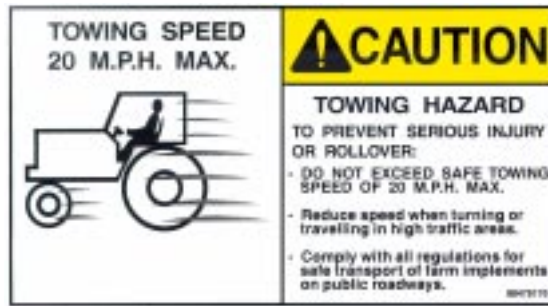
### **IMPORTANT NOTICE:**

*Kongskilde cannot anticipate every possible circumstance that might involve a hazard with this product. The hazard alerts and safety instructions in this publication and on the product are therefore not all inclusive. If a tool, procedure, work method or operating technique not specifically recommended by Kongskilde is used, you must satisfy yourself that it is safe for you and others. You should ensure that the implement will not be damaged or made unsafe by the operation, maintenance or repair procedures you choose.*

***Kongskilde will not be held responsible for any unauthorized modifications made to this product and will immediately void the warranty coverage.***

# PRODUCT SAFETY PRECAUTIONS


1. Read the owner's manual.
2. Make certain all safety decals, reflectors and SMV signs are applied to your unit.
3. **IMPORTANT NOTE:** This unit has a narrow transport width and a high centre of gravity and may pose a tipping hazard when folded for transport. Do not transport over 20 M.P.H. and reduce speed when transporting or turning the cultivator on uneven ground or when travelling on public roadways.



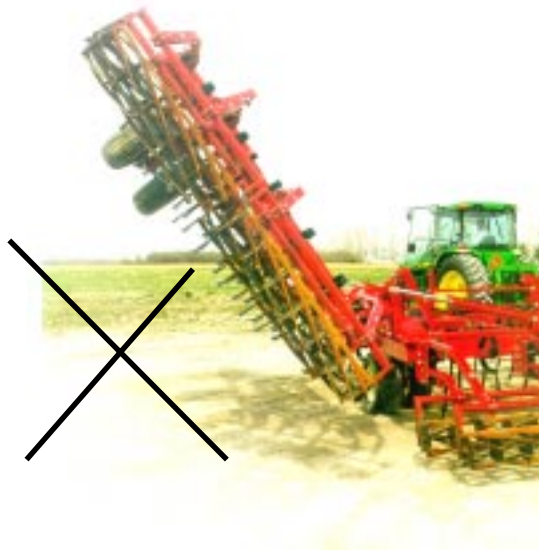
4. Always use an approved safety tow chain and draw pin, and make sure that all wing fold lock pins and the wheel cylinder transport locks are secured before transporting.
5. The operator is responsible at all times to comply with all state and local laws when transporting large or oversized implements on public or private roadways. Careful consideration must be given in order to prevent accidents with other vehicles and avoid coming in contact with obstacles such as: bridges, tunnels, overpasses, guard rails, road signs, traffic lights, power lines, public utilities, and other structures that may be encountered along the way. In some jurisdictions the operator may be required to obtain special permits or arrange for escorts before transporting oversized equipment. Kongskilde is not liable for personal or property damage caused by inappropriate, unauthorized or unsafe transport or operation of equipment.
6. Make sure all wheel bolts are secure and check that the tires are in good condition and inflated properly before attempting to move the implement on public roadways.
7. **IMPORTANT NOTE:** Some larger models of 2800 Series cultivators may exceed local height regulations for safe transporting on public roadways. The operator is responsible at all times to insure the safe transport of the cultivator along the chosen route. Take care, especially when transporting, folding or unfolding the implement around power lines. Serious injury or death to the operator or bystanders may result through direct or indirect contact with power lines.




8. Make sure that the tractor is shifted into park before getting out to remove transport locks and wing fold lock pins. Never remove wing lock pins or wheel transport locks when the implement is sitting on uneven ground where tipping could occur.


 9. Never remove transport lockout devices or unfold the unit unless cylinders are completely full of oil. Failure to properly charge the folding hydraulics with oil could allow the wings to free fall when unfolding, causing damage to the equipment and possible injury to the operator or bystanders. Never fold the cultivator wings by any mechanical method! Always charge the hydraulic system first and use it to fold and unfold the wings. Stand clear of the machine and watch for overhead hazards or objects in the wing-fall zone when folding and unfolding.

10. Never unfold when there are bystanders in the area of the wing fall zone. Be certain all persons are clear of working area in and around the machine whenever folding, unfolding, raising or lowering the machinery or in any way using the hydraulic system.



 11. Never crawl under the machine to make repairs or adjustments or replace tines and shares, etc... unless you have properly blocked and supported the cultivator frame. The cultivator must be secured in a fixed position in order to prevent it from moving or falling before making any attempt to work underneath.

12. Take care when changing shares or removing share bolts as the edges can become extremely sharp when worn.

 13. Be alert when walking around the machinery in the folded transport position to avoid walking into the point of a shank or sweep. Severe head or body injury could result.

14. Regularly check wheel bolts for tightness and periodically check all other nuts and bolts and secure if loose.

15. Establish a good routine for regular inspection, lubrication and maintenance in order to keep the machine in good operating condition.

## SAFETY DEVICES FOR Folding and Transporting Implements:



### WHEEL LOCK FOR TRANSPORT CYLINDERS

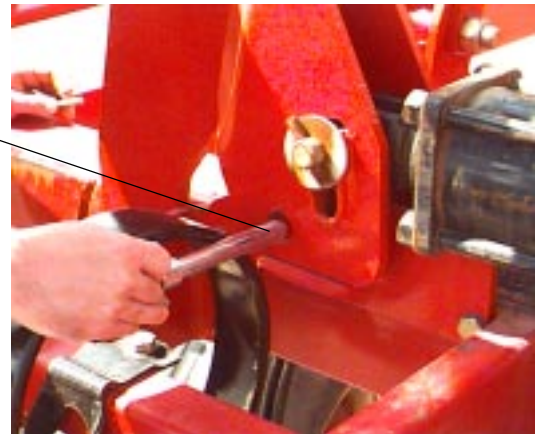
Insert a safety lock over the centre section master cylinder rod and fasten the pins. Slowly ease the cultivator down until the wheel lock is wedged firmly in place.

When cultivating the safety lock should be stored in the tractor box or in a place that will not interfere with the safe operation of the equipment.



### LOCK THE WINGS FOR SAFE TRANSPORT

When the wings are raised and folded for transport, lock the wings in the transport position with the wing fold lock pins shown. The lock pins must also be secured with the lynch pins provided. Proper installation of the wing lock pins will prevent the wings from falling uncontrollably during transport if a problem occurs with the hydraulic system.



### SAFETY CHAIN, SMV SIGN AND REFLECTORS

Attach the safety tow chain and make sure that the SMV sign and reflectors supplied are installed on the unit before transporting.



# OPERATING INSTRUCTIONS

1. When hooking to the tractor always use an approved draw pin. Secure the draw pin in place with a safety pin (or other locking device). The tractor and cultivator should also be connected together with an approved safety chain.



2. Make sure that the rear jack is raised before moving the cultivator.



3. Connect the cultivator's hydraulic lines to the tractor. Note that the 3/8" lines activate the wing fold hydraulics and the 1/2" lines activate the wheel lift hydraulics.



4. Extend the master wheel lift cylinder and remove transport lock from the centre wheel cylinder rod.



5. Remove the wing lock pins and activate the hydraulics to lower the wings. Check to see that no observers or obstructions are in the path of the wings!



6. For proper field operation the wing fold cylinders must be fully extended to allow the wings to float.





7. Level the cultivator for the tractor draw bar height and set the working depth by following the procedure outlined in later in this manual under Operating Adjustments.



8. Periodically lift the machine completely out of the ground (or when turning at the end of the field). Fully extend the cylinders and hold the remote lever briefly. This rephases the wheel cylinders and keeps the wings at a uniform working depth with the centre section.



9. Try to avoid making sharp turns when working the soil. Turning with the tines in the ground can cause high stress levels in the cultivator frame and twists the tines, causing premature failure. Sharp turns are especially stressful on the wide wing fold models, as the wing on the inside of the turn may actually try to move backwards in the soil! Lifting the cultivator helps to reduce stress on the cultivator tines and framework.



## FIELD LEVELLING PROCEDURE OVERVIEW

1. Set the working depth of the cultivator as described in step 4 of the operating adjustments.
2. Cultivate a short distance and stop. Level the cultivator in the fore aft direction using the procedure in step 3, of the operating adjustments.
3. Adjust the wheel cylinder towers on the wings according to step 2 in the operating adjustments in order to level the wings from side to side with the centre section.
4. Repeat step 2 & 3 until you are satisfied that all the tines are working the soil at a uniform depth.
5. Set the height of the gauge wheels in order to distribute the load evenly across the front of the cultivator and to help maintain cultivating depth accuracy. See step 6 of the operating adjustments.  
NOTE: The gauge wheels should not be used to set the working depth of the tines nor are they designed to carry the weight of the machine. They are provided to ensure depth accuracy is maintained in uneven field conditions and should only have light contact with the surface of the ground.
6. Use the Mechanical Stroke Control on the master cylinder, according to step 5 in the operating adjustments, whenever you need to adjust the working depth of the cultivator from the original mechanical depth setting of the wheel tower sliders. Remember to re-adjust the gauge wheels after changing the working depth setting of the machine.

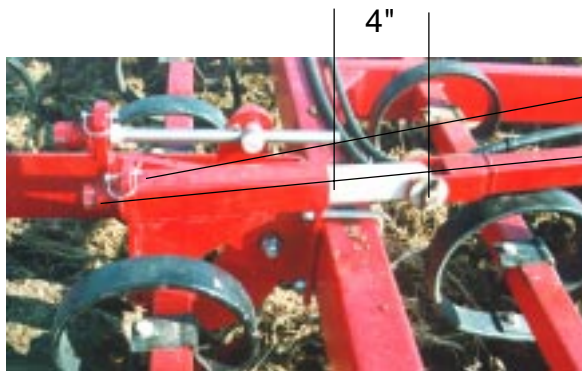


# OPERATING ADJUSTMENTS

1. Before the machine can be used in the field some basic adjustments need to be made in order to level the machine from side to side and front to back. The first step is to make sure that the centre section is level and that both centre section wheel arm links are set in the same holes. The different hole settings provide adjustment for the working depth and road clearance depending on the type (and height) of the tine that is installed on your cultivator. This should have been done during set up, but it is important to verify that both wheel arm links are set in the same hole so that the centre section will work level from side to side within the depth range for tine option you have chosen.



2. Adjust the wing wheel sliders in order to make the cultivator wings run level from side to side with the centre frame. Other "fine tuning" adjustments can be made later when you get to the field. When the wheel cylinders are fully retracted, adjust each wheel tower slider by removing the clip pin and turning the threaded adjuster with a 1 1/2" socket or box end wrench. We suggest that the sliders be adjusted to an initial setting of 4". **(NOTE: A 1" change in the slider adjustment makes approximately 3" difference in the working depth).**



Remove lock pin to make adjustments.

Turn the adjustment casting to move the slider in or out as needed so the wing wheel is running level and at the same depth as the center section from side to side. Be sure to set both wing wheel sliders the same by measuring the extended length of the slider.



Note how the cultivator wings in this photograph are running higher than the center section. Therefore the wheel adjuster should be lengthened to lower the wing wheels and make the wings level with the centre frame.

- Once the cultivator is set level side to side, the machine must be adjusted to run level from front to back. This "fore & aft" leveling is accomplished by adjusting the top link of the hitch in or out by turning the pitch adjuster located near the pivot links. Remove the spring clip pin and adjust the top link as required to bring the front row of tines level with the tines on the back. The adjustment of the working depth and setting of the castoring gauge wheels will also have an influence on the fore and aft levelness of the machine and you will have to "fine tune" this setting as well when you begin working in the field. The front and rear tines should be working the soil to the same depth.



Remove lock pin to make adjustments.

Turn the adjustment casting to move the slider in or out as needed so the machine is running level from front to back.

Note how the cultivator in this photograph is running deeper in the front than at the back. Therefore the pitch adjuster should be lengthened to make the front level with the back.



- After following the previous steps to level the machine, the initial working depth of the tines can be set. This is accomplished by adjusting the mechanical stroke control on the centre section master cylinder out until you are cultivating at the desired depth. The wheel tower sliders and gauge wheels can then be fine tuned so that the wings work level and at the same depth as the centre section.

Mechanical stroke control



Gauge wheel adjustment

Wing wheel adjustment



- In order change the working depth of the tines, simply adjust the mechanical stroke control on the master cylinder in or out "shallow up" or deepen the cultivator from the original depth setting. It should not be necessary to readjust the wheel tower sliders, however you will need to reset the gauge wheels.  
It is important to note that the mechanical depth stop will not compensate for a poor job of levelling the machine if the initial mechanical adjustments have not been set properly.



- The gauge wheels should be adjusted equally to evenly distribute the load across the front of the cultivator and help to maintain fore and aft levelness. Remove the locking clip pin and crank the gauge wheels up or down as required. Use a tape measure to set each wheel the same.



Remove lock pin to make adjustments.

Turn adjustment casting to raise or lower the gauge wheels as required. Set both wheels the same by measuring the length of the adjustment threads.

Adjust the gauge wheel to keep the front corner of wing from diving or digging in too deep. Gauge wheels are not to be used to set the working depth and carry the load of the wings. They should only have light contact with the ground to help maintain depth accuracy and keep the corners of the wings from dipping down in tough field conditions.

- Take care to secure the hitch and wheel adjustments by snapping the clip pins back into the "locked" position. This will keep the machine from going out of adjustment when working in the field.



## PARKING THE CULTIVATOR

1. When not in use, park the cultivator on level areas only. Install the wheel locks and wing fold lock pins and release all hydraulic pressure before disconnecting the hydraulic lines from the tractor. If the unit will be parked outside for an extended period of time, remove the wheel locks and lower the cultivator down to rest on the tines. Fully retract the wheel cylinders so that the cylinder rods will not be exposed to the elements during the winter months.
2. When parking the unit in the transport position, ensure that the unit is stable by blocking the wheels to prevent the unit from rolling when disconnected from the tractor.
3. **IMPORTANT NOTE:** Depending on the type of optional levelling attachment used, the cultivator may be back heavy and therefore the tongue will fly up when disconnected from the tractor unless the rear jack is lowered. In order to keep the cultivator level when parked and prevent possible injury when removing the draw pin, be sure to lower the rear jack before disconnecting from the tractor.



## MAINTENANCE & LUBRICATION

Refer to the section on "Safety Precautions" and make sure that all persons working with the implement have been instructed on the safe operation of the unit before performing any maintenance operations in and around the working areas of the machine. Make sure that the implement has been secured properly using the lock out devices supplied and/or ensure that all reasonable precautions have been taken to ensure that maintenance can be conducted in a safe manner by service personnel.

1. Lubricate the pivoting linkages, wing fold hinges and other wear points regularly.



3. Inspect the wheel arm pivot points and linkages regularly for signs of excessive wear.



2. Grease the wheel bearings, hubs and tandem arm pivots weekly, especially before road transport. Bearing lubrication is recommended more frequently depending on the acreage worked or amounts of road travel involved.



4. Check the condition of the tires regularly and always maintain proper tire inflation.



5. Check all nuts and bolts, especially the tine clamp bolts, after the first few hours of operation and secure if loose. Inspect the shares daily and replace worn ones.



Never crawl under the machine to change shares or perform other maintenance unless the frame is blocked to keep it from falling in the event of accidental operation or failure of the hydraulic system.



6. Check all wheel bolts and secure transport locks before transporting.



7. Occasionally check the condition of the pivot pin connections and other moving linkages for excessive wear. Replace excessively worn pins and linkages.



8. Frequently check the hydraulic system for leaks. Tighten any leaking fittings and carefully inspect the hydraulic lines and replace any worn or damaged hoses.



**Caution:** Hydraulic oil under pressure can be extremely dangerous.



9. The cultivators hydraulic system is a rephasing type system where the movement of the larger centre section Master Cylinder controls the movement of the smaller wing wheel cylinders connected in series. It is a very reliable system but can be difficult to troubleshoot if one of the hose connections are wrong or an internal leak develops in one or more of the cylinders. For these and other problems, please refer to the hydraulic trouble shooting guide in the back of the booklet.



10. After making repairs to the hydraulic system please follow these additional instructions in order to remove air from the wheel cylinders and hydraulic lines:

A) Activate cylinders through two full cycles of extension and retraction.

B) Extend cylinders completely and hold lever while relief valve squeals for a minimum of 30 seconds.

C) Activate cylinders to full extension and retraction, they should now move in unison. If the cylinders do not move in and out smoothly repeat step B, as there may still be some air in the lines.

Note: If wheels do not work in unison, refer to the layout diagrams for the hydraulics. Carefully check to make sure that the hose connections & cylinder locations on the cultivator match the hydraulic assembly diagrams provided.



11. The cultivator should never be assembled and placed in the folded position without first charging the hydraulic system, but never assume this has been done! Even on a new machine, leaks can occur from improperly assembled hydraulic components and the folding system could have lost enough oil to allow the wings to free fall to the ground when the unit is unfolded.



***If you suspect there is a problem with the wing fold system...***

***DO NOT USE THE HYDRAULICS TO LOWER THE WINGS!***

If the wings are in the folded position with uncharged cylinders or you have discovered a leak in the folding system, the wings should be lowered to the ground in a safe manner.

12. Remove clevis pins from the cylinder rods. Hold or block the wing fold cylinders in an upright position so that the rods can be extended and retracted several times to fill the cylinders with oil and remove all the air from the hydraulic lines. Replace clevis pins and check to make sure all connections are correct and secure. The hydraulic system can now be operated safely to fold and unfold the cultivator.



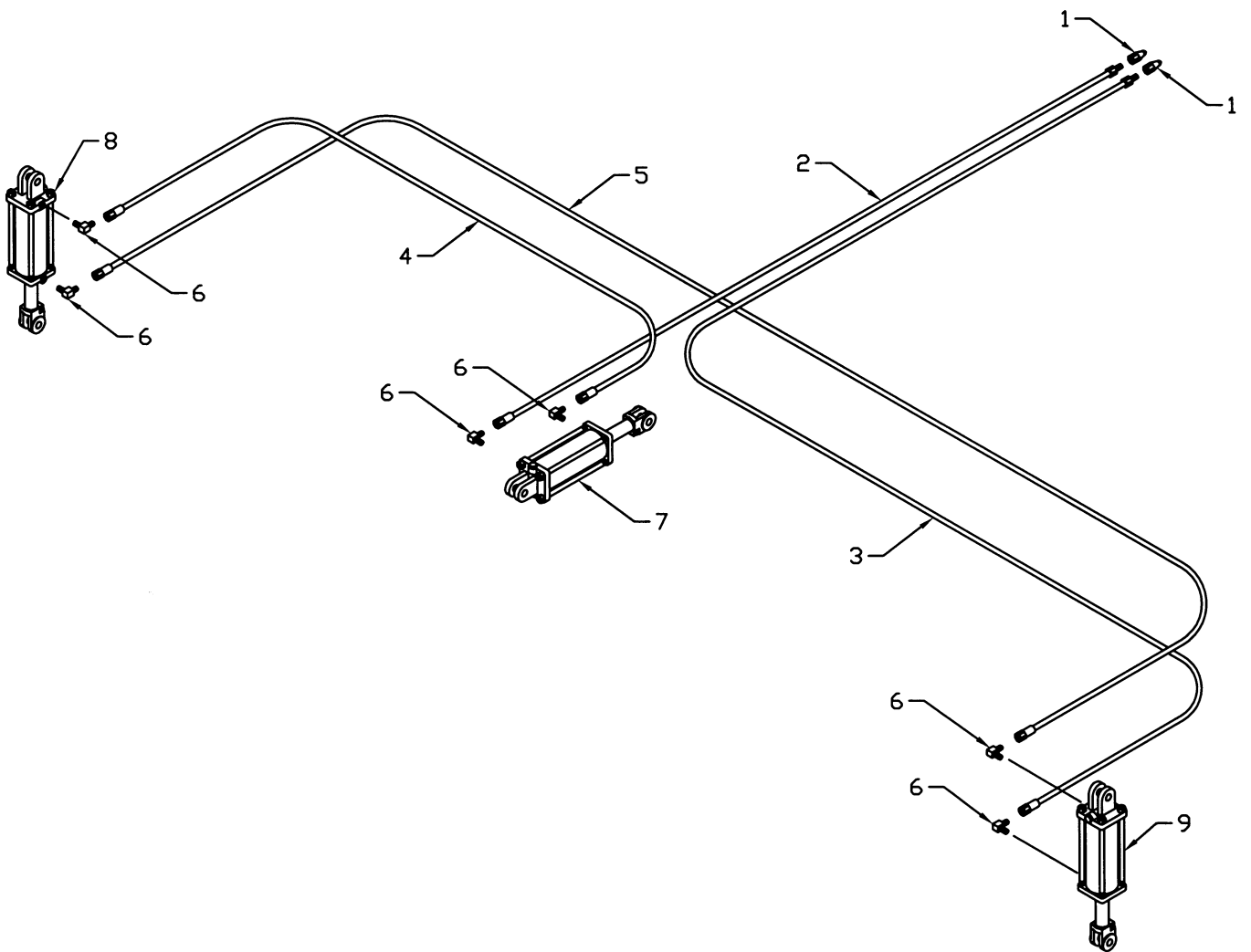
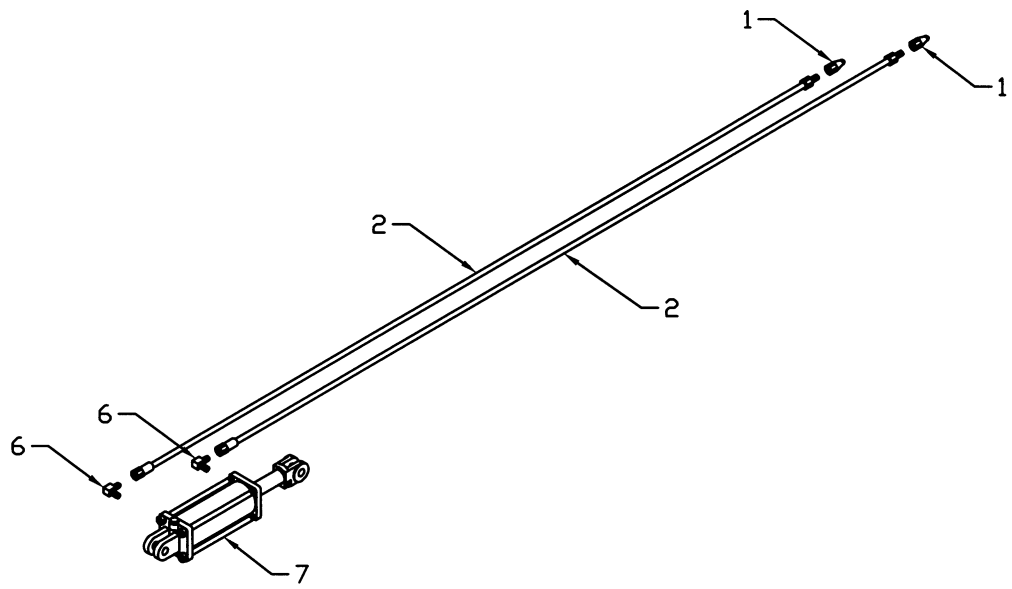
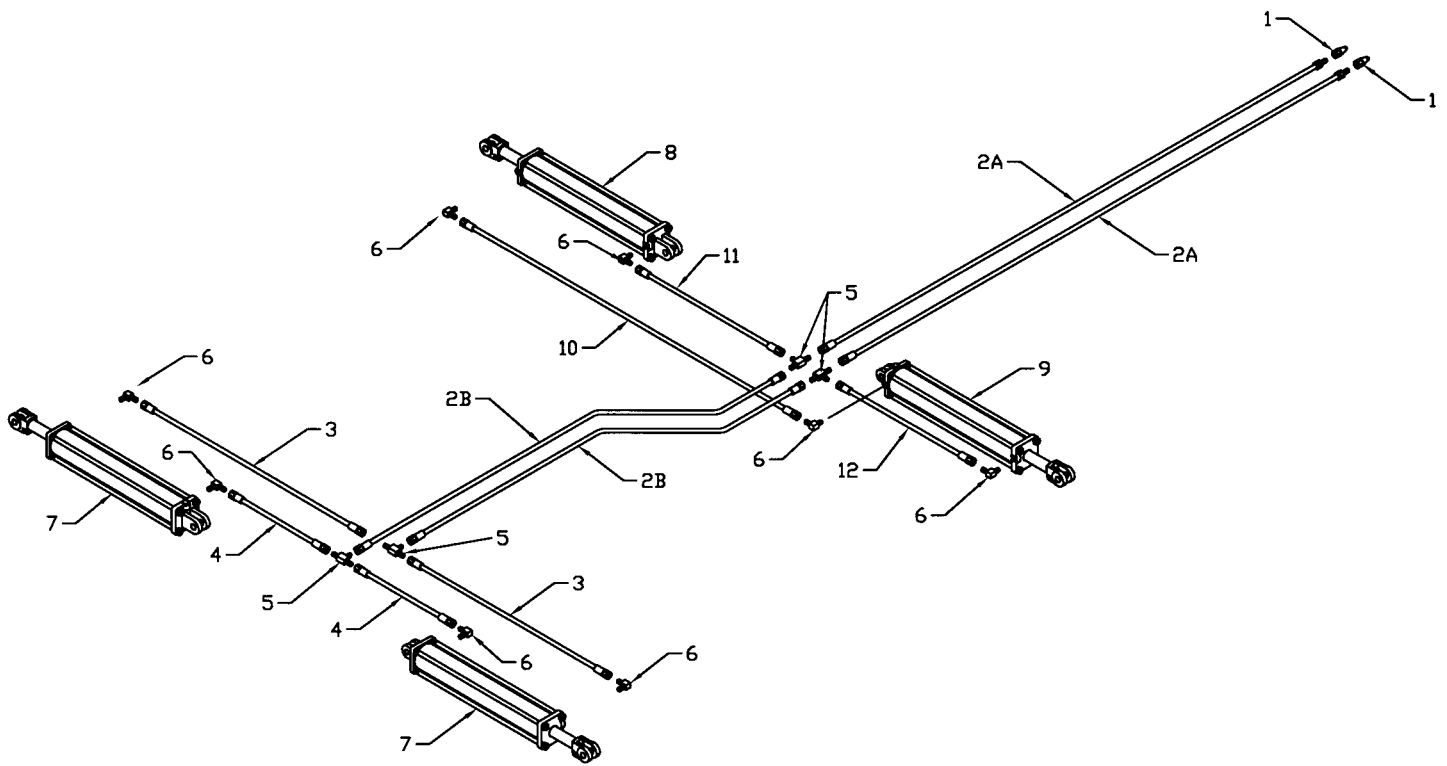
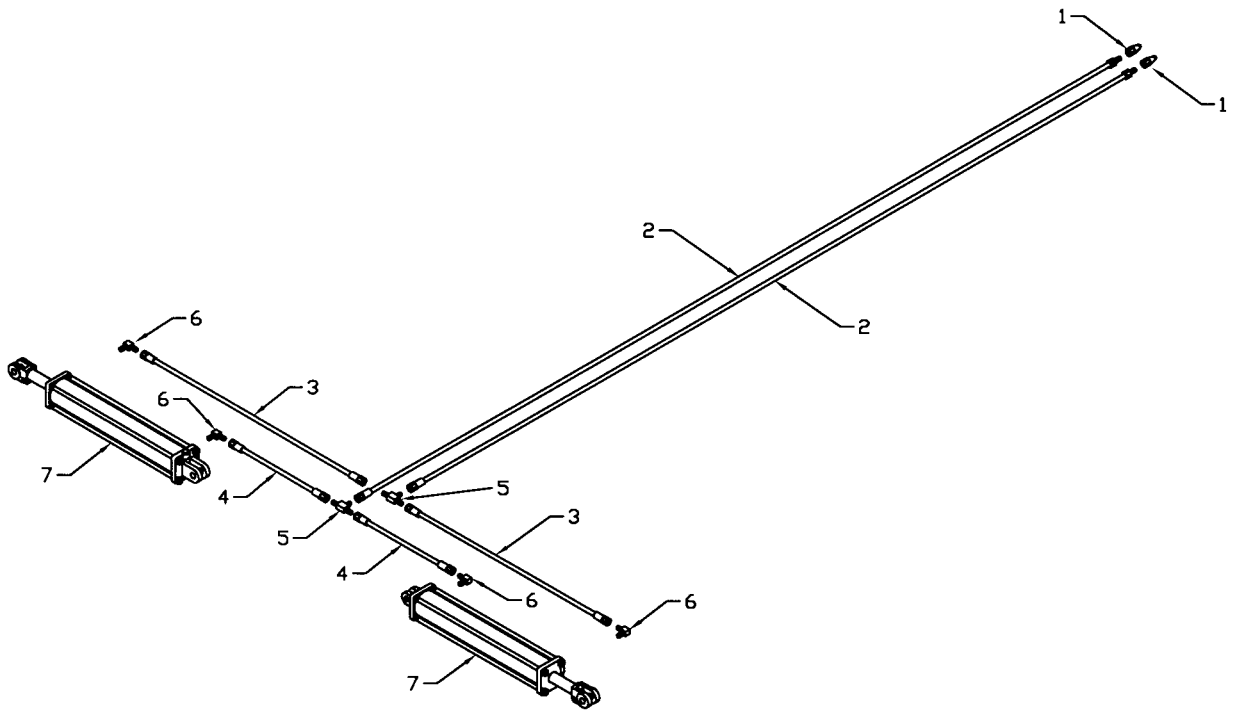


Fig.	Part no.	Description
1	600470110	Quick Coupler (Optional-not part of hose kit)
2	600470233	1/2" Hose 1/2" Pipe x 1/2" JIC - 230" (all models)
3	600470244	1/2" Hose 1/2" Pipe x 1/2" JIC - 375" (2800-60-20')
	600470235	1/2" Hose 1/2" Pipe x 1/2" JIC - 395" (2800-70-23')
	600470245	1/2" Hose 1/2" Pipe x 1/2" JIC - 415" (2800-80-26')
	600470234	1/2" Hose 1/2" Pipe x 1/2" JIC - 435" (2800-90-30')
4	600470182	1/2" Hose 1/2" JIC x 1/2" JIC - 175" (2800-60-20')
	600470239	1/2" Hose 1/2" JIC x 1/2" JIC - 195" (2800-70-23')
	600470177	1/2" Hose 1/2" JIC x 1/2" JIC - 215" (2800-80-26')
	600470137	1/2" Hose 1/2" JIC x 1/2" JIC - 235" (2800-90-30')
5	600470147	1/2" Hose 1/2" JIC x 1/2" JIC - 310" (2800-60-20')
	600470149	1/2" Hose 1/2" JIC x 1/2" JIC - 350" (2800-70-23')
	600470151	1/2" Hose 1/2" JIC x 1/2" JIC - 390" (2800-80-26')
	600470153	1/2" Hose 1/2" JIC x 1/2" JIC - 430" (2800-90-30')
6	600470049	Elbow 1/2" O-ring x 1/2" JIC - 90 Degree
7	600474502	Cylinder 4.5 x 8 Rephasing with Mechanical Stroke Control - Midway
8	600474503	Cylinder 4.25 x 8 Rephasing - Midway
9	600474504	Cylinder 4 x 8 Rephasing - Midway
	600361039	Carriage Bolt 1/4" x 1"
	600365006	Locknut 1/4"
	600470047	Hose Clamp 1/2"



**Spare part list / 2800 Wing Fold Hydraulics. Date: 2000, 06.**

<b>Fig.</b>	<b>Part no.</b>	<b>Description</b>
1	600470110	Quick Coupler (Optional-not part of hose kit)
2	600470232	3/8" Hose 1/2" Pipe x 3/8" JIC - 280" (2800-50-60-70-80)
2A	600470157	3/8" Hose 1/2" Pipe x 3/8" JIC - 215" (2800-90-30')
2B	600470194	3/8" Hose 3/8" JIC x 3/8" JIC - 80" (2800-90-30')
3	600470102	3/8" Hose 3/8" JIC x 3/8" JIC - 32" (2800-all models)
4	601140316	3/8" Hose 3/8" JIC x 3/8" JIC - 20" (2800-all models)
5	600470003	Tee 3/8" JIC
6	600470124	Elbow 1/2" O-ring x 3/8 JIC
7	600474505	Cylinder 4.5 x 20 - Midway
8	600474506	Cylinder 3.5 x 16 Rephasing - Midway
9	600474501	Cylinder 3.25 x 16 Rephasing - Midway
10	600470408	3/8" Hose 3/8" JIC x 3/8" JIC - 50" (2800-90-30')
11	600470242	3/8" Hose 3/8" JIC x 3/8" JIC - 36" (2800-90-30')
12	600470243	3/8" Hose 3/8" JIC x 3/8" JIC - 16" (2800-90-30')
13	00 361 039	Carriage Bolt 1/4" x 1"
14	00 365 006	Locknut 1/4"
15	00 470 007	Hose Clamp 3/8"

## HYDRAULIC TROUBLE SHOOTING CHART

Problem	Cause	Remedy
1) Cultivator cylinders do not work in unison. Cylinders seem spongy.	Air in System	Raise cultivator to highest transport position. Hold the hydraulic lever on the tractor in the "raise" position for approx. 30 seconds. Flow passes through the cylinder bypass ports to flush air out of the system.
2) Wing cylinder contracts when master extends.	Hose connections wrong.	Check circuit according to the hose layout diagram.
3) Wing cylinders stroke further than master cylinder when retracting wings too deep, or: One wing cylinder will not retract fully when all others are retracted.	a) Wrong hose connections.  b) Cylinder sizes or locations wrong.	Check circuit according to the hose layout diagram.  Check cylinder locations and sizes according to hydraulic layout diagram.
4) One section of cultivator settles down in use.	a) System not being rephased.  b) External leak from cylinder, hose or fitting.  c) Internal leak in cylinder.	When the cylinders are extended fully each cylinder bypasses a small amount of oil to allow other cylinders to catch up. This rephasing is done each time the cultivator is raised fully to the top and must be done periodically and is recommended at each end of the field.  Repair leaking component.  Install new cylinder seal kit in the wing cylinder that settles.
5) Entire cultivator settles.	a) Tractor valve leaking back.	To check, remove hose from the tractor when cultivator is raised. This eliminates the tractor valve from the circuit. <b>CAUTION:</b> Make certain your tractor connections safely allow this operation.

Problem	Cause	Remedy
5) Entire cultivator settles.	b) External leak.  c) Wing cylinder and master cylinder leaking internally.	Repair leaking component.  Install new cylinder seal kits.
6) Cultivator settles in transport or while parked.	Not using the transport lock.	The hydraulic system is not intended to hold the cultivator up permanently. A slow settling when not in use is normal.
7) Cylinders will not rephase.	a) Dirt blocking bypass ports in cylinder.  b) Faulty cylinder.	Air pressure can be used to determine which cylinder will not bypass when extended.  Rephasing cylinder and repair parts must be used in this service.
8) Air returns to system causing problems 1, 4, 5 to recur.	a) Air entering system.  b) See item 7.	Check tractor oil level. Check tractor hydraulic pump.  See item 7.  Note: A mixture of oil and air forms a foam which may give unexpected results. It may take a few hours use before all foam is expelled.
9) Centre section is not level or goes out of level in use.	a) A frame or wheel link bolt or pin bent or broken.  b) A frame or wheel linkage bent.  c) Wheel links were not set in the same hole.	Replace broken bolt.  See Dealer for instructions on straightening or replacement of bent parts.  Always adjust wheel towers the same.
10) Both centre section and one wing settle together. Remaining wing raises or stays at the top.	Internal leak in the master cylinder.	Install new cylinder seal kit.

