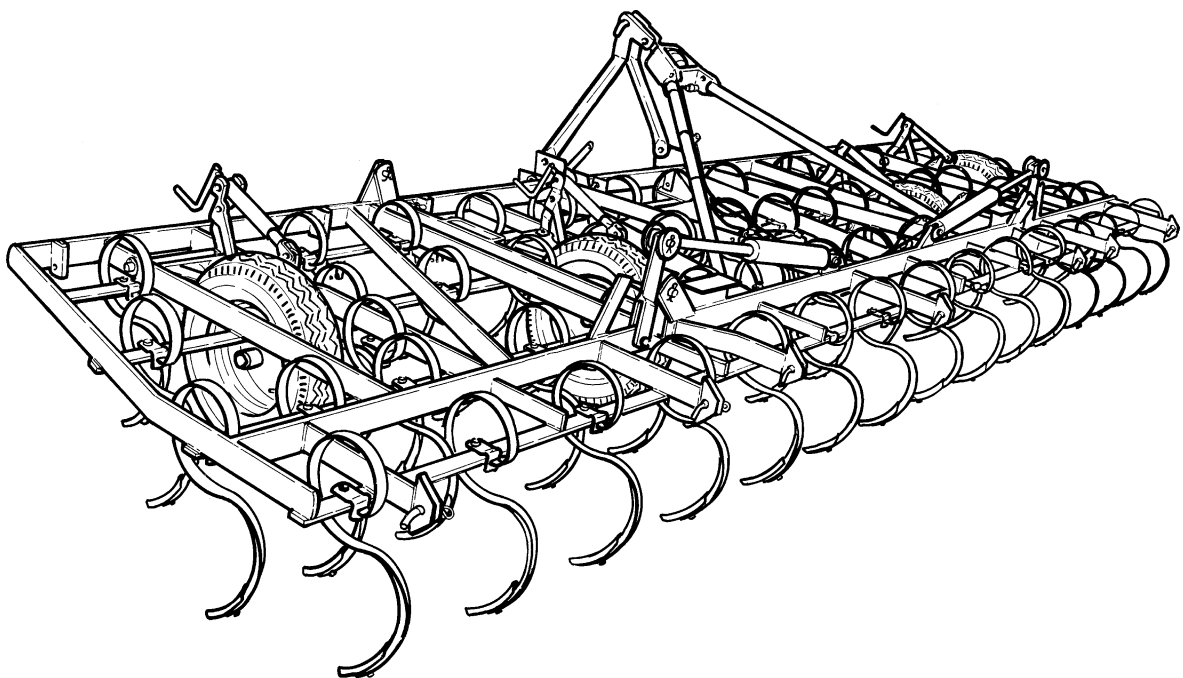


SGC & SUPER Q



Reservedelsliste
Spare parts list
Ersatzteilliste
Onderdelenlijst
Liste de pièce de rechange
Lista dei pezzi di ricambio

SGC 25, 29 & 33

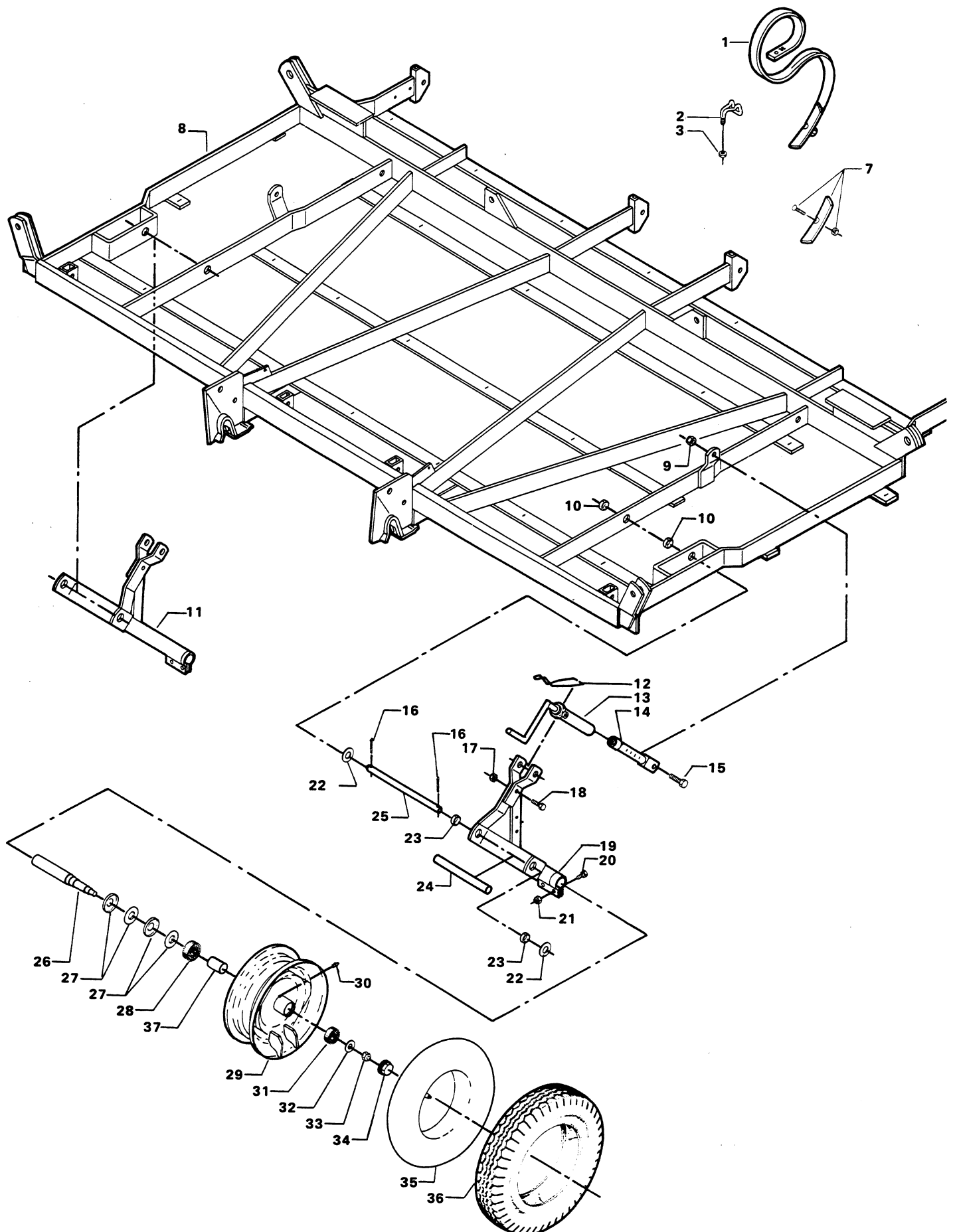


Fig.	Serial no.	Part no.	Pieces	Notes
1 2 3 Cpl: 7		101 000 669 101 000 734 100 315 016 101 000 507 101 000 640	1 1	Nut M12 Fig. 2 + 3
8 9 10		101 117 001 101 111 001 101 118 001 100 316 006 101 090 199	1 1 1 2 4	Type: SGC 25 Type: SGC 29 Type: SGC 33 Lock nut M16
11 12 Cpl: 15 16		101 110 004 101 091 034 101 110 016 100 306 056 100 333 008	1 2 2 2 4	Fig. 13 + 14 Set screw M16 x 45 mm Split pin ø8 x 40 mm
17 18 19 20 21		100 316 005 100 306 044 101 110 005 100 306 030 100 316 004	2 2 1 4 4	Lock nut M12 Set screw M12 x 40 mm Set screw M10 x 30 mm Lock nut M10
22 23 24 25 26		100 381 018 101 090 199 101 110 137 101 110 415 100 423 035	4 4 2 2 1	Flat washer 1"
27 28 29 30 31		100 423 036 100 401 030 100 423 034 100 421 000 100 401 008	2 1 1 1 1	Seal cover Z007 Ball bearing # 6206 Grease nipple M6 Ball bearing # 6205
32 33 34 35 36		100 423 038 100 316 006 100 423 037 100 423 040 100 423 039	1 1 1 1 1	Washer ø34/17 x 3 mm Lock nut M16 M52 x 1 mm 6.00 x 12" 6.00 x 12"/6 PLY
37 Cpl: Cpl:		100 423 055 105 000 442 105 000 476	1 2 1	Spacer ø35 x 2 x 49.2 mm Fig. 26 - 37 Repair kit: Fig. 27, 28, 31, 32, 33, 34, 37

SGC 29 & 33

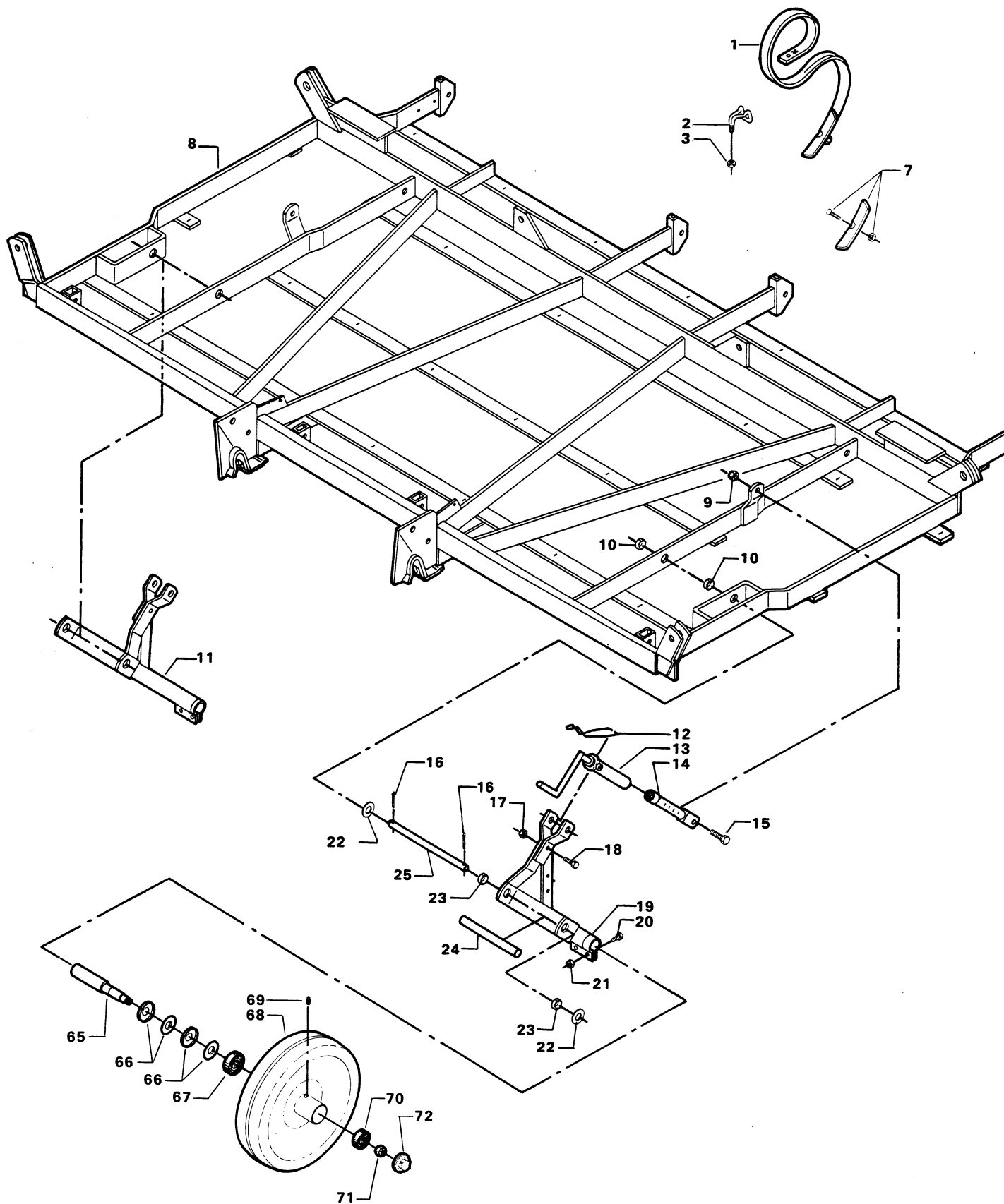


Fig.	Serial no.	Part no.	Pieces	Notes	
1		101 000 669			
2		101 000 734			
3		100 315 016		Nut M12 Fig. 2 + 3	
Cpl: 7		101 000 507	1		
		101 000 640	1		
8		101 111 001	1		Type: SGC 29 Type: SGC 33 Lock nut M16
9		101 118 001	1		
10		100 316 006	2		
11		101 090 199	4		
		101 110 004	1		
12		101 091 034	2	Fig. 13 + 14 Set screw M16 x 45 mm Split pin \varnothing 8 x 40 mm Lock nut M12	
Cpl: 15		101 110 016	2		
16		100 306 056	2		
17		100 333 008	4		
		100 316 005	2		
18		100 306 044	2	Set screw M12 x 40 mm Set screw M10 x 30 mm Lock nut M10 Flat washer 1"	
19		101 110 005	1		
20		100 306 030	4		
21		100 316 004	4		
22		100 381 018	4		
23		101 090 199	4	Seal cover Z205	
24		101 110 137	2		
25		101 110 415	2		
65		105 000 356	1		
66		100 413 015	2		
67		100 401 008	1		Ball bearing #6205 Fig. 68 + 69 Grease nipple M6 Ball bearing #6304 Lock nut M16
Cpl: 69		100 423 022	1		
70		100 421 000	1		
71		100 401 010	1		
		100 316 006	1		
72		100 423 021	1	M52 x 1,25 mm Fig. 65 - 72	
Cpl:		105 000 359	2		

SUPER Q 25, 29 & 33

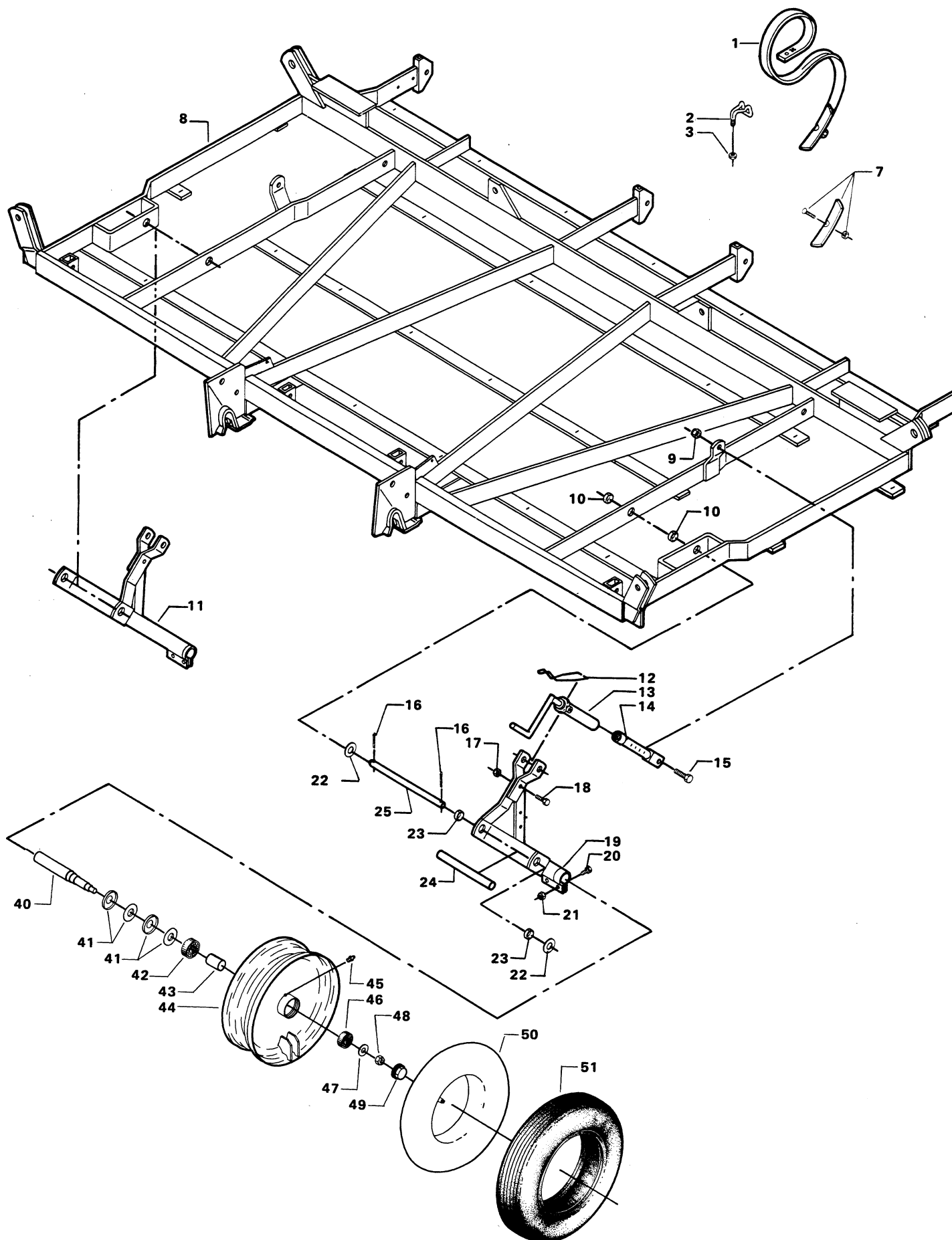


Fig.	Serial no.	Part no.	Pieces	Notes
1 2 3 Cpl: 7		101 000 740 101 000 752 100 315 016 101 000 742 101 000 640	1 1	Nut M12 Fig. 2 + 3
8 9 10		101 117 001 101 111 001 101 118 001 100 316 006 101 090 199	1 1 1 2 4	Type: SGC/Super Q 25 Type: SGC/Super Q 29 Type: SGC/Super Q 33 Lock nut M16
11 12 Cpl: 15 16		101 110 004 101 091 034 101 110 016 100 306 056 100 333 008	1 2 2 2 4	Fig. 13 + 14 Set screw M16 x 45 mm Split pin $\varnothing 8$ x 40 mm
17 18 19 20 21		100 316 005 100 306 044 101 110 005 100 306 030 100 316 004	2 2 1 4 4	Lock nut M12 Set screw M12 x 40 mm Set screw M10 x 30 mm Lock nut M10
22 23 24 25 40		100 381 018 101 090 199 101 110 137 101 110 415 100 423 060	4 4 2 2 1	Flat washer 1"
41 42 43 44 45		100 423 036 100 401 030 100 423 062 100 423 063 100 421 000	2 1 1 1 1	Seal cover Z007 Ball bearing # 6206 Spacer $\varnothing 35$ x 31 x 64.6 mm 4.00 x 15 /2.5 mm Grease nipple M6
46 47 48 49 50		100 401 028 100 423 064 100 316 006 100 423 065 100 423 067	1 1 1 1 1	Ball bearing # 6305 Washer $\varnothing 40/17$ x 3 mm Lock nut M16 M62 x 1 mm 165 x 15
51 Cpl:		100 423 066 101 110 382	1 2	165 x 15/4 PLY Fig. 40 - 51

SGC 18, 24, 28, 30 & 34

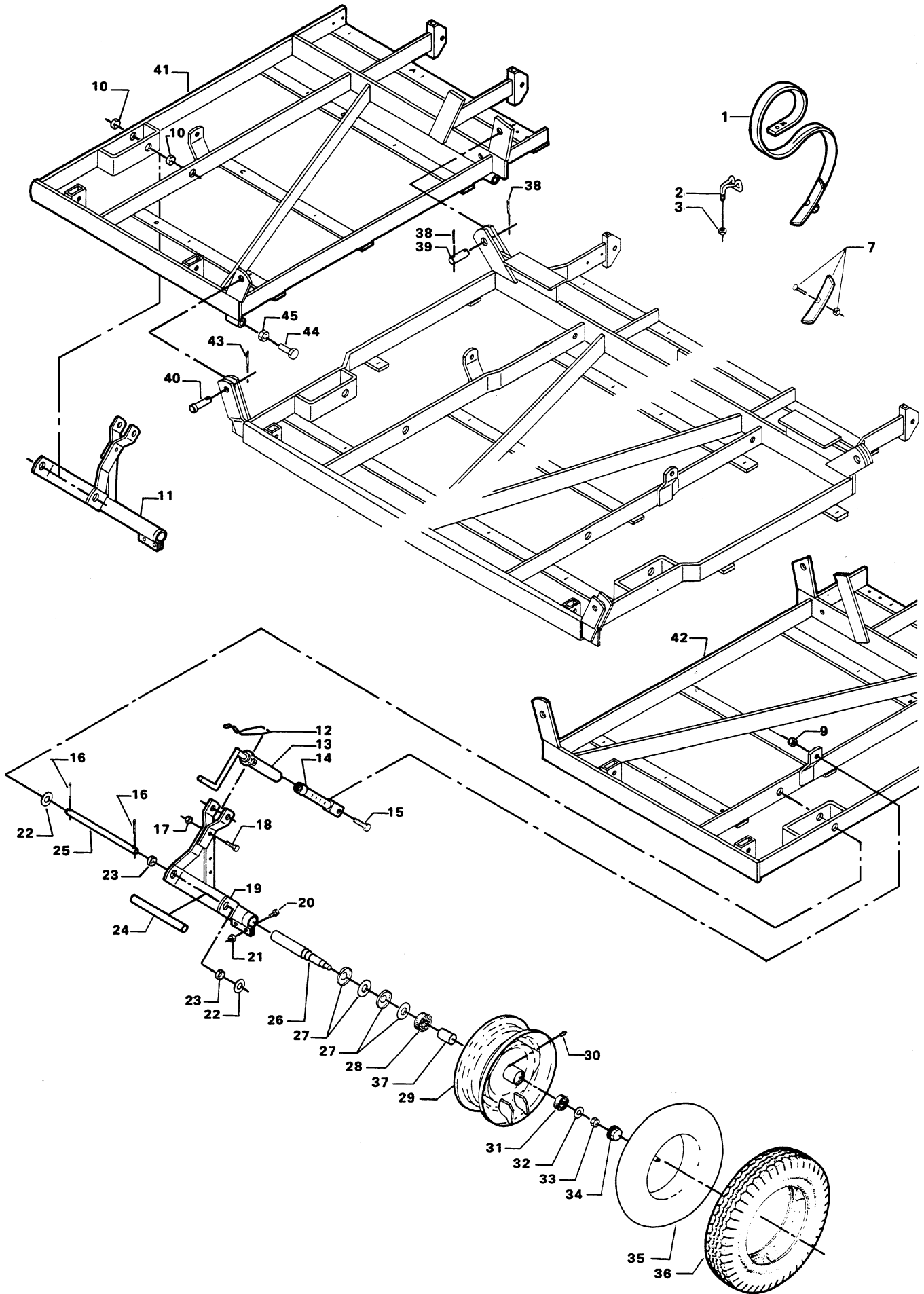


Fig.	Serial no.	Part no.	Pieces	Notes
1 2 3 Cpl: 7		101 000 669 101 000 734 100 315 016 101 000 507 101 000 640	1 1	Nut M12 Fig. 2 + 3
9 10 11 12 Cpl:		100 316 006 101 090 199 101 110 004 101 091 034 101 110 016	2 4 1 2 2	Lock nut M16 Fig 13 + 14
15 16 17 18 19		100 306 056 100 333 008 100 316 005 100 306 044 101 110 005	2 4 2 2 1	Set screw M16 x 45 mm Split pin ø8 x 40 mm Lock nut M12 Set screw M12 x 40 mm
20 21 22 23 24		100 306 030 100 316 004 100 381 018 101 090 199 101 110 137	4 4 4 4 2	Set screw M10 x 30 mm Lock nut M10 Flat washer ø1"
25 26 27 28 29		101 110 415 100 423 035 100 423 036 100 401 030 100 423 034	2 1 2 1 1	Seal cover Z007 Ball bearing # 6206
30 31 32 33 34		100 421 000 100 401 008 100 423 038 100 316 006 100 423 037	1 1 1 1 1	Grease nipple M6 Ball bearing # 6205 Washer ø34/17 x 3 mm Lock nut M16 M52 x 1 mm
35 36 37 Cpl: Cpl:		100 423 040 100 423 039 100 423 055 105 000 442 105 000 476	1 1 1 2 1	6.00 x 12" 6.00 x 12"/6 PLY Spacer ø35 x 2 x 49.2 mm Fig. 26 - 37 Repair kit: Fig. 27, 28, 31, 32, 33, 34, 37
38 39 40 41		100 333 029 101 110 410 101 000 786 101 113 025 101 114 001	4 2 2 1 1	Split pin ø8 x 50 mm Type: SGC 18 Type: SGC 24
42		101 119 001 101 115 001 101 116 001 101 113 026 101 114 002	1 1 1 1 1	Type: SGC 28 Type: SGC 30 Type: SGC 34 Type: SGC 18 Type: SGC 24
43 44		101 119 002 101 115 002 101 116 002 100 333 008 100 306 066	1 1 1 2 4	Type: SGC 28 Type: SGC 30 Type: SGC 34 Split pin ø8 x 40 mm Set screw M20 x 60 mm
45		100 315 019	4	Nut M20

SUPER Q 18, 24, 28, 30 & 34

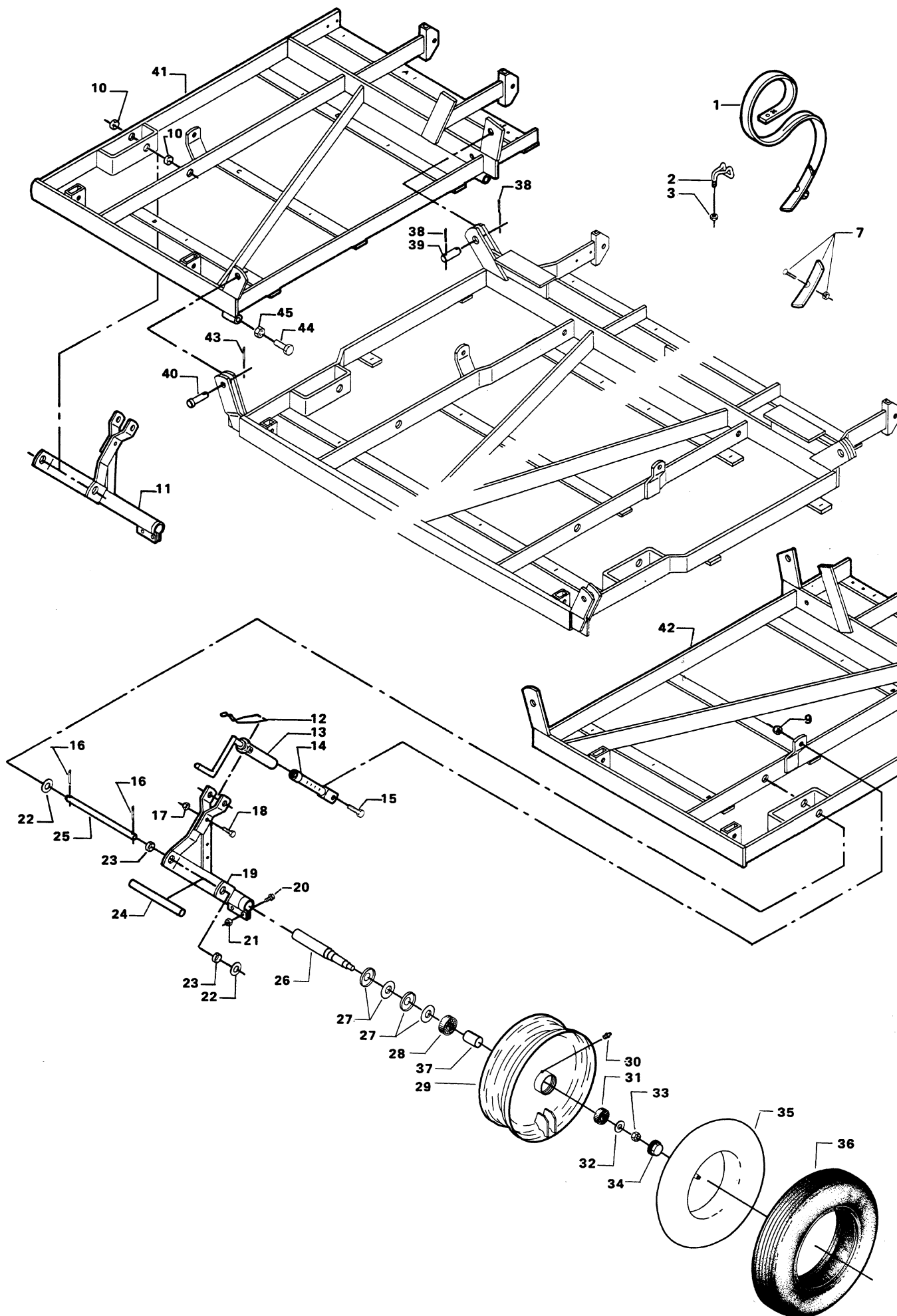


Fig.	Serial no.	Part no.	Pieces	Notes
1 2 3 Cpl: 7		101 000 740 101 000 752 100 315 016 101 000 742 101 000 640	1 1	Nut M12 Fig. 2 + 3
9 10 11 12 Cpl:		100 316 006 101 090 199 101 110 004 101 091 034 101 110 016	2 4 1 2 2	Lock nut M16 Fig 13 + 14
15 16 17 18 19		100 306 056 100 333 008 100 316 005 100 306 044 101 110 005	2 4 2 2 1	Set screw M16 x 45 mm Split pin ø8 x 40 mm Lock nut M12 Set screw M12 x 40 mm
20 21 22 23 24		100 306 030 100 316 004 100 381 018 101 090 199 101 110 137	4 4 4 4 2	Set screw M10 x 30 mm Lock nut M10 Flat washer ø1"
25 26 27 28 29		101 110 415 100 423 060 100 423 036 100 401 030 100 423 063	2 1 2 1 1	Seal cover Z007 Ball bearing # 6206 4.00 x 15 /2.5 mm
30 31 32 33 34		100 421 000 100 401 028 100 423 064 100 316 006 100 423 065	1 1 1 1 1	Grease nipple M6 Ball bearing # 6305 Washer ø40/17 x 3 mm Lock nut M16 M62 x 1 mm
35 36 37 Cpl:		100 423 067 100 423 066 100 423 062 101 110 382	1 1 1 2	165 x 15 165 x 15/4 PLY Spacer ø35 x 31 x 64.6 mm Fig. 26 - 37
38 39 40 41		100 333 029 101 110 410 101 000 786 101 113 025 101 114 001	4 2 2 1 1	Split pin ø8 x 50 mm Type: SGC 18 Type: SGC 24
42		101 119 001 101 115 001 101 116 001 101 113 026 101 114 002	1 1 1 1 1	Type: SGC 28 Type: SGC 30 Type: SGC 34 Type: SGC 18 Type: SGC 24
43 44		101 119 002 101 115 002 101 116 002 100 333 008 100 306 066	1 1 1 2 4	Type: SGC 28 Type: SGC 30 Type: SGC 34 Split pin ø8 x 40 mm Set screw M20 x 60 mm
45		100 315 019	4	Nut M20

SGC/SUPER Q 12

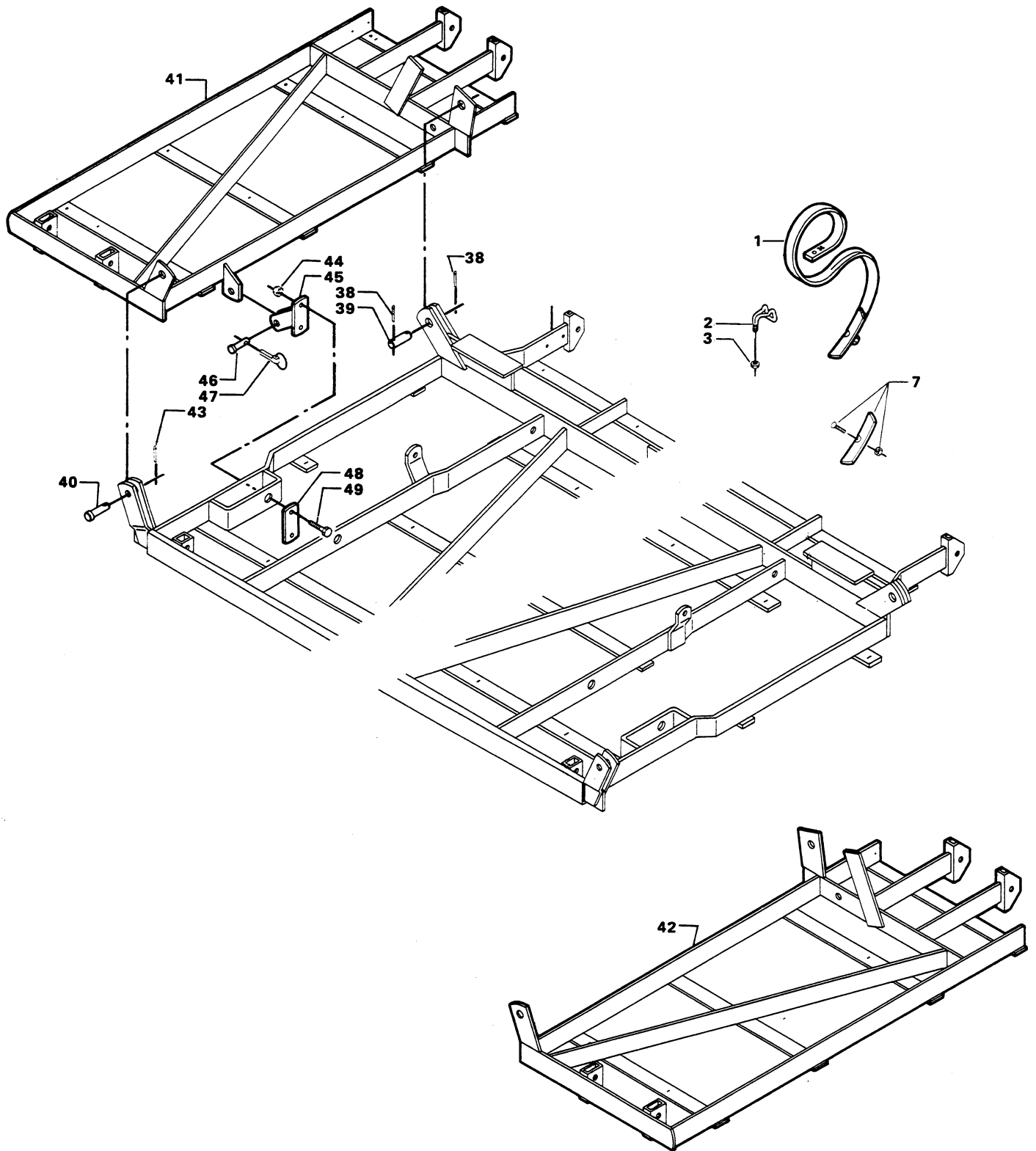


Fig.	Serial no.	Part no.	Pieces	Notes
1		101 000 669		For SGC
2		101 000 740		For SUPER Q
3		101 000 734		For SGC
		101 000 752		For SUPER Q
		100 315 016		Nut M12
Cpl:		101 000 507	1	Fig. 2 + 3, for SGC
Cpl:		101 000 742	1	Fig. 2 + 3, for SUPER Q
7		101 000 640	1	
38		100 333 029	4	Split pin $\varnothing 8 \times 50 \text{ mm}$
39		101 110 410	2	
40		101 000 786	2	
41		101 112 001	1	Type: SGC 12
42		101 112 002	1	Type: SGC 12
43		100 333 008	2	Split pin $\varnothing 8 \times 40 \text{ mm}$
44		100 316 005	4	Lock nut M12
45		101 112 020	2	
46		101 000 785	2	
47		100 333 014	2	Lynch pin $\varnothing 9,5 \text{ mm}$
48		101 112 021	2	
49		100 306 046	4	Set screw M12 x 50 mm

SGC/SUPER Q 25, 29 & 33

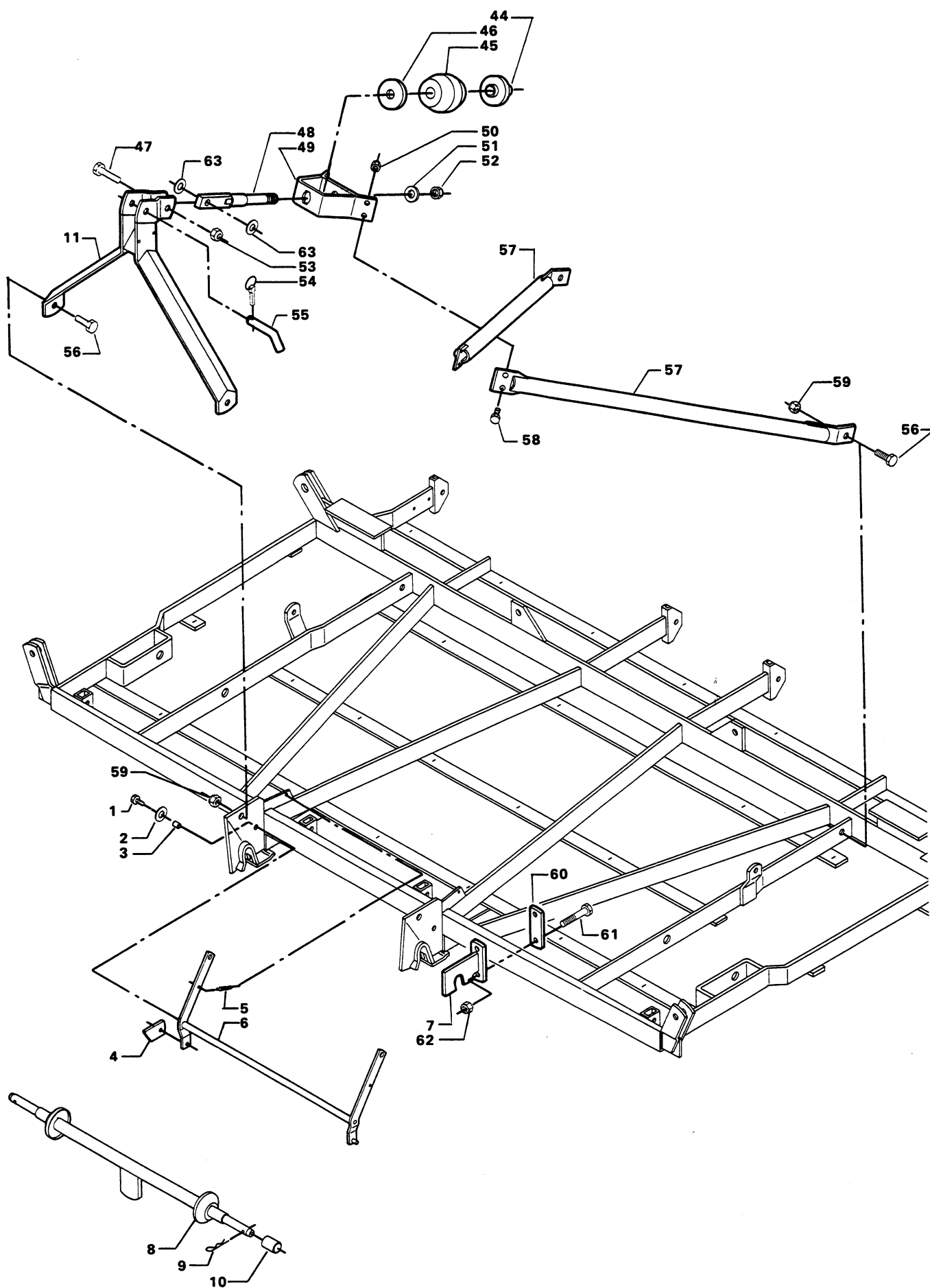


Fig.	Serial no.	Part no.	Pieces	Notes
1		100 304 033	2	Set screw M12 x 35 mm Flat washer M12
2		100 331 007	2	
3		105 000 410	2	
4		105 000 390	2	
5		101 000 624	2	
6		105 000 396	1	Hair pin clip ø9 mm Fig. 8 - 10
7		101 110 064	2	
9		100 333 012	2	
10		101 050 588	2	
Cpl:		101 050 296	1	
11		101 110 046	1	For SGC/SUPER Q 25 & 29 For SGC/SUPER Q 33
		101 118 061	1	
44		101 110 037	1	
45		101 000 415	1	
46		101 110 035	1	
47		100 306 069	1	Set screw M20 x 80 mm Lock nut M16
48		101 110 031	1	
49		101 110 028	1	
50		100 316 006	4	
51		101 058 101	1	
52		100 316 010	1	Lock nut M24 Lock nut M20 Lynch pin ø9,5 mm Cat. 2 for SGC/SUPER Q 25 & 29 Cat. 2/3 for SGC/SUPER Q 33
53		100 316 007	1	
54		100 333 014	1	
55		105 000 388	1	
		101 000 307	1	
56		100 306 065	4	Set screw M20 x 50 mm For SGC/SUPER Q 29 For SGC/SUPER Q 25 & 33 Set screw M16 x 45 mm Lock nut M20
57		101 110 040	2	
		101 110 274	2	
58		100 306 056	4	
59		100 316 007	4	
60		101 110 067	2	Set screw M16 x 90 mm Lock nut M16 Flat washer M20
61		100 306 061	4	
62		100 316 006	4	
63		100 331 009	2	

SGC/SUPER Q 25, 29 & 33

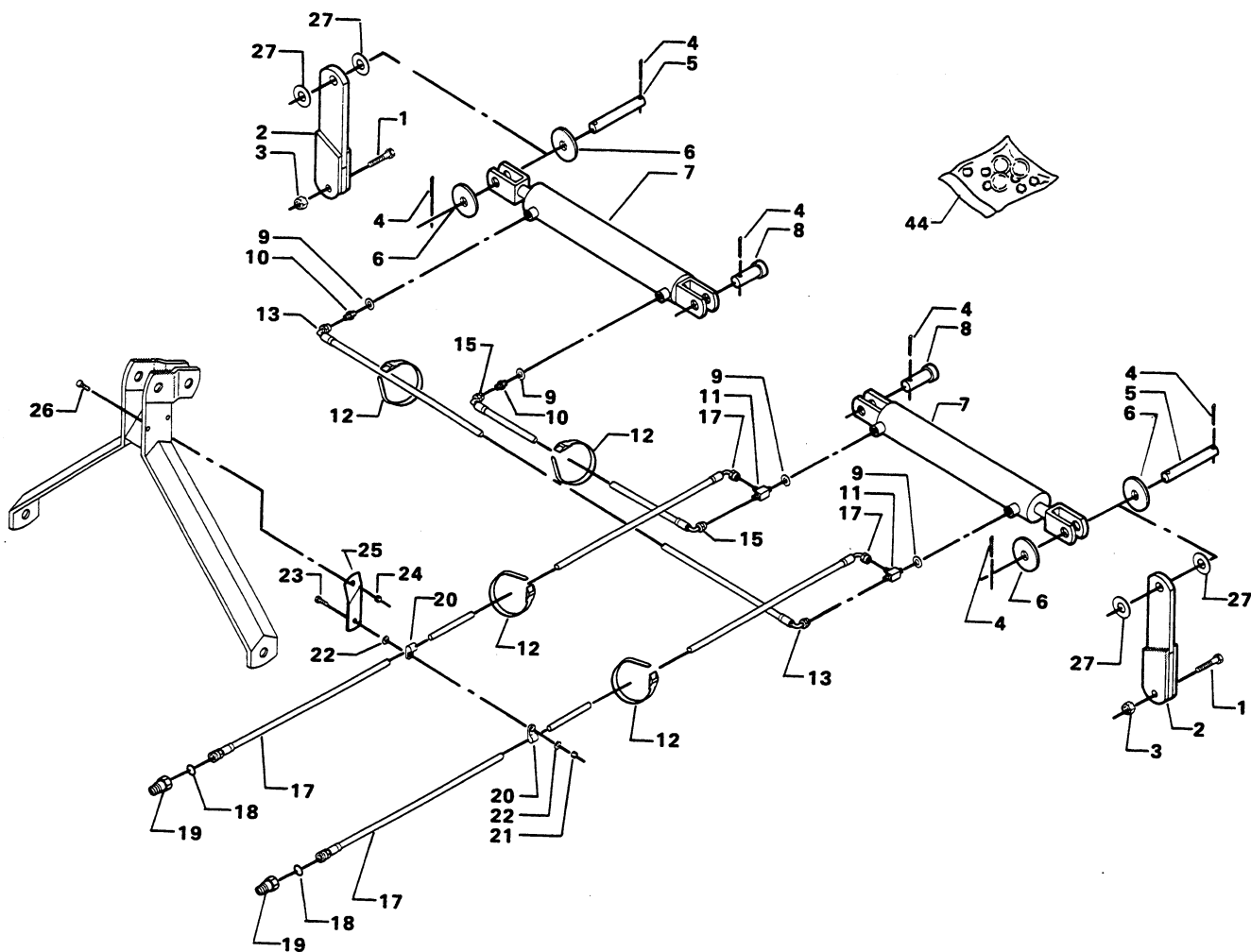


Fig.	Serial no.	Part no.	Pieces	Notes
1		100 306 066	2	Set screw M20 x 60 mm
2		101 110 109	2	
3		100 316 007	2	Lock nut M20
4		100 333 008	6	Split pin $\phi 8 \times 40$ mm
5		105 021 200	2	$\phi 25 \times 99$ mm
6		105 021 208	4	
7		101 000 310	2	$\phi 75 \times 400$ mm
8		101 000 786	2	
9		100 413 042	4	Sealing ring for 1/4" BSP
10		100 420 030	2	Nipple 1/4" - 1/4" BSP
11		100 420 031	2	1/4" BSP
12		100 420 041	8	6,5 x 210 mm
13		101 110 115	1	1970 mm for SGC/SUPER Q 25 & 29
		101 118 022	1	2400 mm for SGC/SUPER Q 33
15		101 110 114	1	1100 mm for SGC/SUPER Q 25 & 29
18		101 118 021	1	1530 mm for SGC/SUPER Q 33
19		100 413 043	1	Sealing ring for 1/2" BSP
Cpl:		100 420 042	1	B 5602-8-10
		101 110 112	2	Fig. 17 - 19, 2800 mm for SGC/SUPER Q 25 & 29
		101 110 112	1	Fig. 17 - 19, 2800 mm for SGC/SUPER Q 33
20		101 118 077	1	Fig. 17 - 19, 3250 mm for SGC/SUPER Q 33
21		100 420 019	2	
22		100 315 028	1	Nut M6
		100 331 004	2	Flat washer M6
23		100 306 001	1	Set screw M6 x 20 mm
24		100 315 012	1	Nut M8
25		105 005 025	1	
26		100 308 002	1	Set screw M8 x 25 mm
27		100 381 018	4	Flat washer 1"
44		101 000 797	1	Repair set for $\phi 75 \times 400$

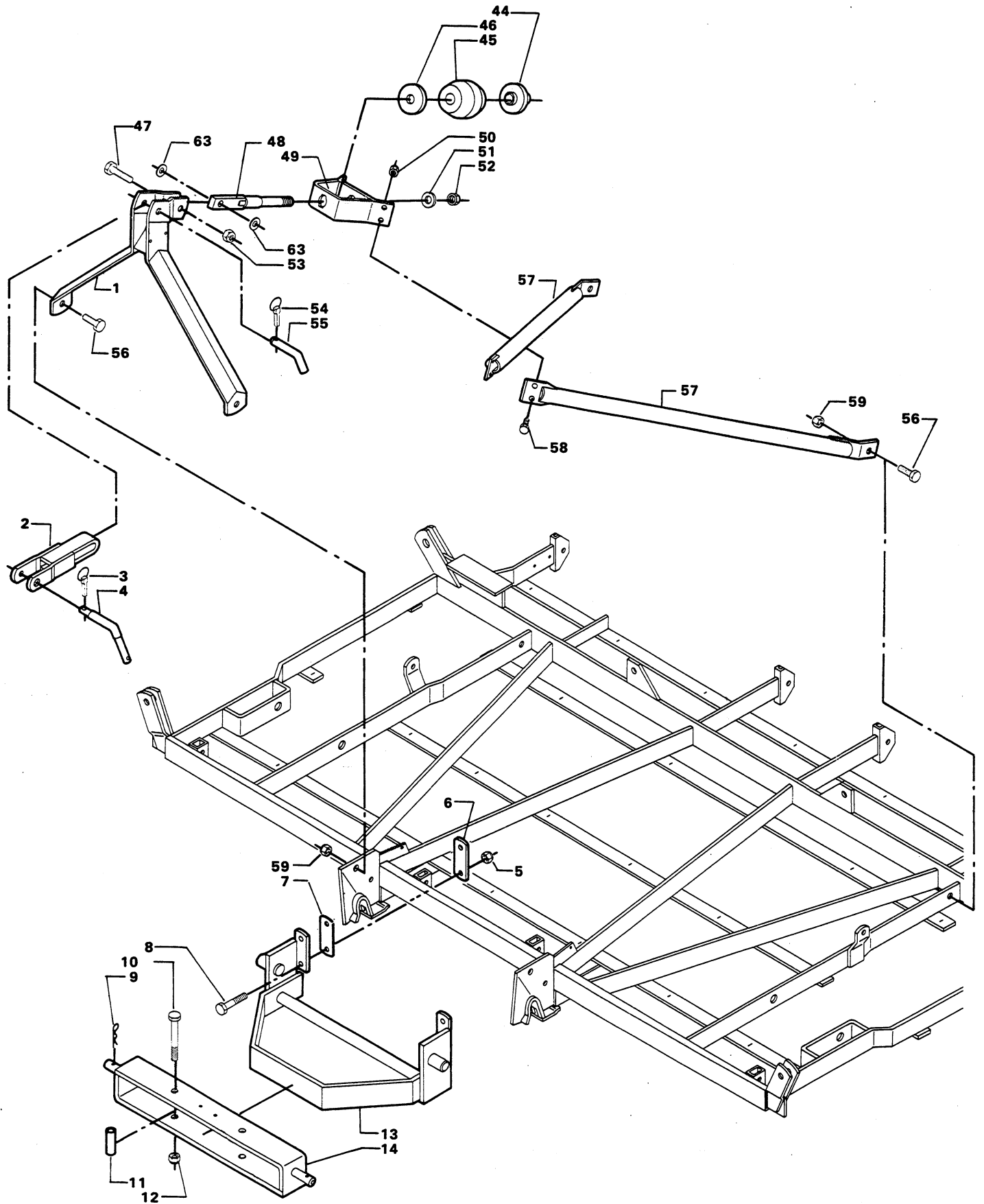


Fig.	Serial no.	Part no.	Pieces	Notes
1		101 110 046	1	
2		101 020 282	1	
3		100 333 014	1	Lynch pin ø9,5 mm
4		101 000 791	1	
5		100 316 006	4	Lock nut M16
6		101 110 067	2	
7		101 110 220	2	
8		100 306 062	4	Set screw M16 x 100 mm
9		100 333 012	2	Hair pin clip ø9 mm
10		100 306 074	2	Set screw M20 x 140 mm
11		101 050 470	2	
12		100 316 007	2	Lock nut M20
13		101 110 216	1	
14		101 050 467	1	
44		101 110 037	1	
45		101 000 415	1	
46		101 110 035	1	
47		100 306 069	1	Set screw M20 x 80 mm
48		101 110 031	1	
49		101 110 028	1	
50		100 316 006	4	Lock nut M16
51		101 058 101	1	
52		100 316 010	1	Lock nut M24
53		100 316 007	1	Lock nut M20
54		100 333 014	1	Lynch pin ø9,5 mm
55		105 000 388	1	Cat. 2
56		100 306 065	4	Set screw M20 x 50 mm
57		101 110 040	2	For SGC/SUPER Q 29
		101 110 274	2	For SGC/SUPER Q 25
58		100 306 056	4	Set screw M16 x 45 mm
59		100 316 007	4	Lock nut M20
63		100 331 009	2	Flat washer M20

