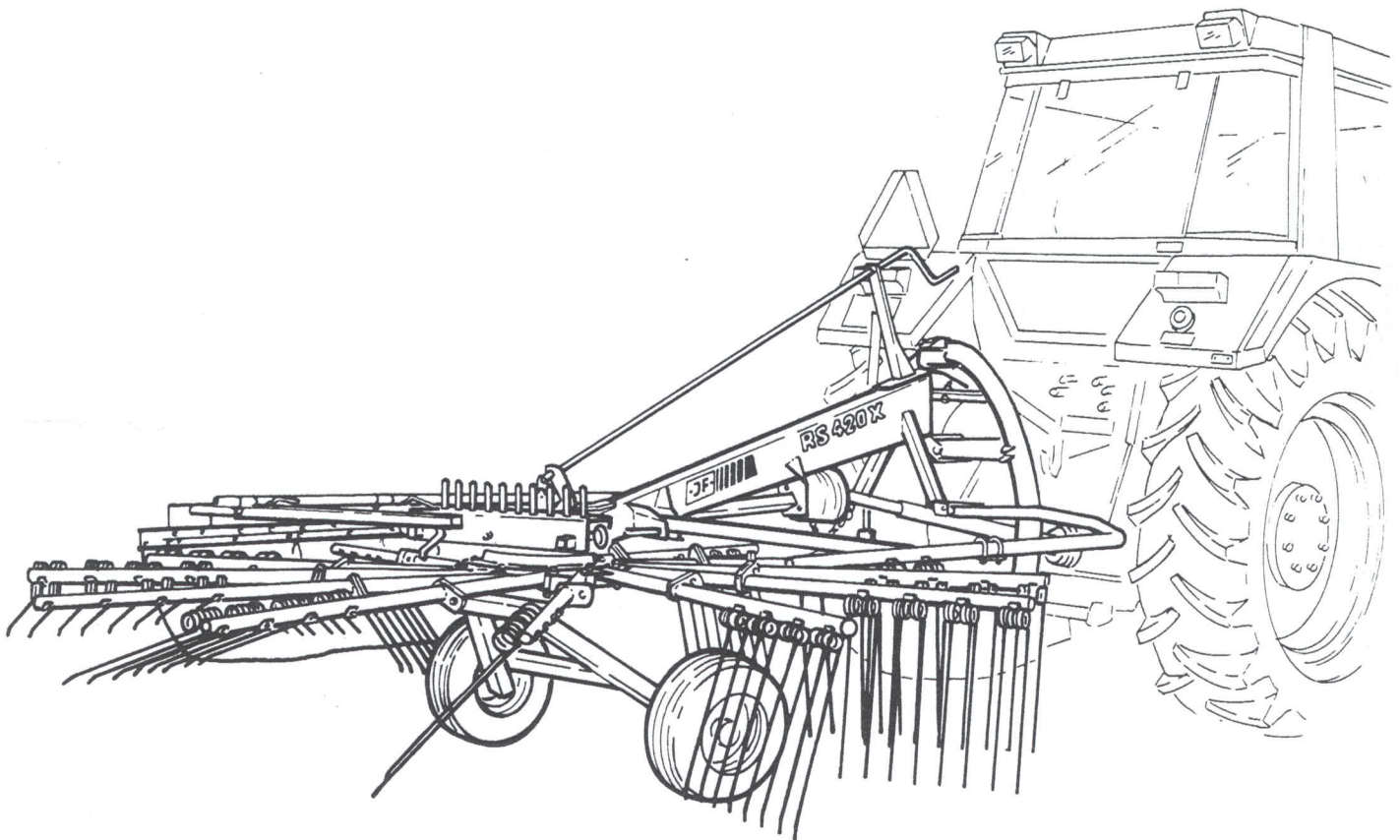




RS 290 - 320X
340X - 420X

Rotorsiderive/Kreiselschwader Rotary Rake/Râteau-andaineur rotatif

Reservedelsliste/Ersatzteilliste Spare Parts List/Liste de Pièces ②



Gyldig fra: Jan. 1991
Gültig ab: Jan. 1991
Valid from: Jan. 1991
Valable à partir de: Jan. 1991

Fig. 1

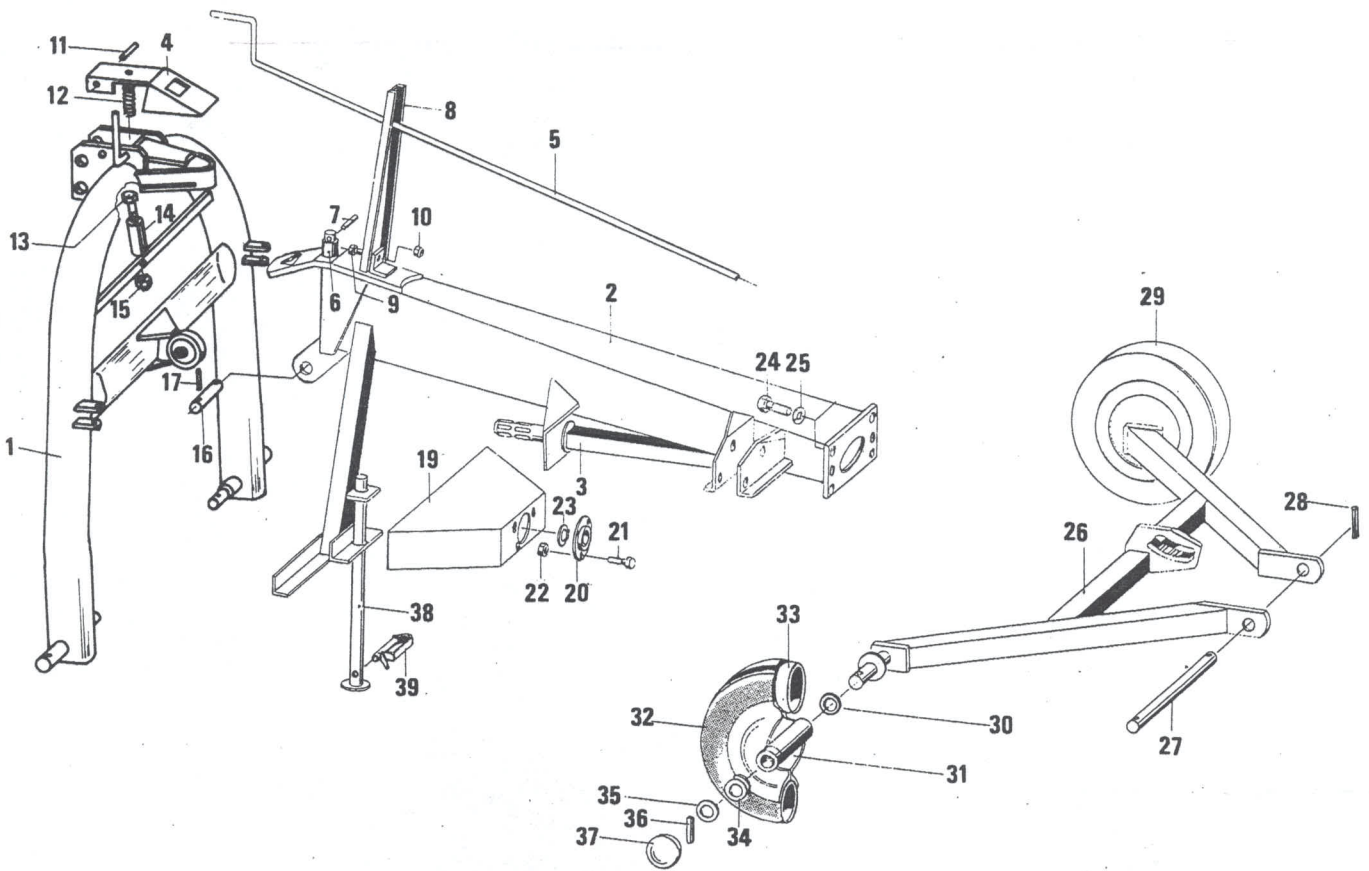


Fig. 1

| POS. | NUMMER | RS 290 | RS 320x | RS 340x | RS 420x | BETEGNELSE | BEZEICHNUNG | DESIGNATION |
|------|-----------|-----------|------------|------------|------------|--|-------------|---|
| 1 | 3505-001A | 1 | 1 | 1 | 1 | Topramme Zugrahmen | | Main frame Bâti |
| 2 | 2505-187x | 1 | - | - | - | Trækbom Zugausleger | | Drawbar Timon |
| | 2505-188x | - | 1 | 1 | 1 | Trækbom Zugausleger | | Drawbar Timon |
| 3 | 2505-189x | 1 | - | - | - | Drivaksel Antriebswelle | | Driving shaft Arbre de transmission |
| | 2505-190x | - | 1 | 1 | 1 | Drivaksel Antriebswelle | | Driving shaft Arbre de transmission |
| 4 | 2505-103x | 1 | 1 | 1 | 1 | Skærm Schutz | | Guard Protection |
| 5 | 2505-191x | 1 | - | - | - | Håndtag Handgriff | | Handle Poignée |
| | 2505-192x | - | 1 | 1 | 1 | Håndtag Handgriff | | Handle Poignée |
| 6 | 2505-104x | 1 | 1 | 1 | 1 | Rulle Rolle | | Roller Rouleau |
| 7 | 1251-5204 | 1 | 1 | 1 | 1 | Spændestift 8 x 36 Spannstift 8 x 36 | | Special pin 8 x 36 Goupille mécanindus 8 x 36 |
| 8 | 2505-193x | 1 | 1 | 1 | 1 | Holder for håndtag Halter f. Handgriff | | Support for handle Support de poignée |
| 9 | 1213-3224 | 1 | 1 | 1 | 1 | Stålskrue M 10 x 25 Stahlschraube M 10 x 25 | | Steel screw M 10 x 25 Vis d'acier M 10 x 25 |
| 10 | 1220-3321 | 1 | 1 | 1 | 1 | Møtrik M 10 Mutter M 10 | | Nut M 10 Ecrou M 10 |
| 11 | 1251-6101 | 2 | 2 | 2 | 2 | Spændestift 10 x 20 Spannstift 10 x 20 | | Special pin 10 x 20 Goupille mecanindus 10 x 20 |
| 12 | 2509-663x | 1 | 1 | 1 | 1 | Trækfjeder Zugfeder | | Tension spring Ressort de tension |
| 13 | | | | | | | | |
| 14 | | | | | | | | |
| 15 | | | | | | | | |
| 16 | 2506-062x | 1 | 1 | 1 | 1 | Tap Zapfen | | Dowel Cheville |
| 17 | 1251-5204 | 2 | 2 | 2 | 2 | Spændestift 8 x 36 Spannstift 8 x 36 | | Special pin 8 x 36 Goupille mecanindus 8 x 36 |
| 18 | | | | | | | | |
| | | | | | | Udgået - deleted - ausgegangen - supprimé | | |
| 19 | 2504-513x | 1 | 1 | 1 | 1 | Skærm Schutz | | Guard Protection |
| 20 | 2503-519x | 1 | 1 | 1 | 1 | Flange Flansch | | Flange Bride |
| 21 | 1213-3224 | 3 | 3 | 3 | 3 | Maskinskrue M 10 x 25 Maschinenschraube M 10 x 25 | | Machine screw M 10 x 25 Vis de machine M 10 x 25 |
| 22 | 1220-3321 | 3 | 3 | 3 | 3 | Møtrik M 10 Mutter M 10 | | Nut M 10 Ecrou M 10 |
| 23 | 1255-3202 | 1 | 1 | 1 | 1 | Låsering Verschliessring | | Locking ring Anneau de verrouillage |
| 24 | 1213-4322 | 6 | 6 | 6 | - | Maskinskrue M 12 x 30 Maschinenschraube M 12 x 30 | | Machine screw M 12 x 30 Vis de machine M 12 x 30 |
| | 1214-4322 | - | - | - | 6 | Maskinskrue M 12 x 70 Maschinenschraube M 12 x 70 | | Machine screw M 12 x 70 Vis de machine M 12 x 70 |

Fig. 1

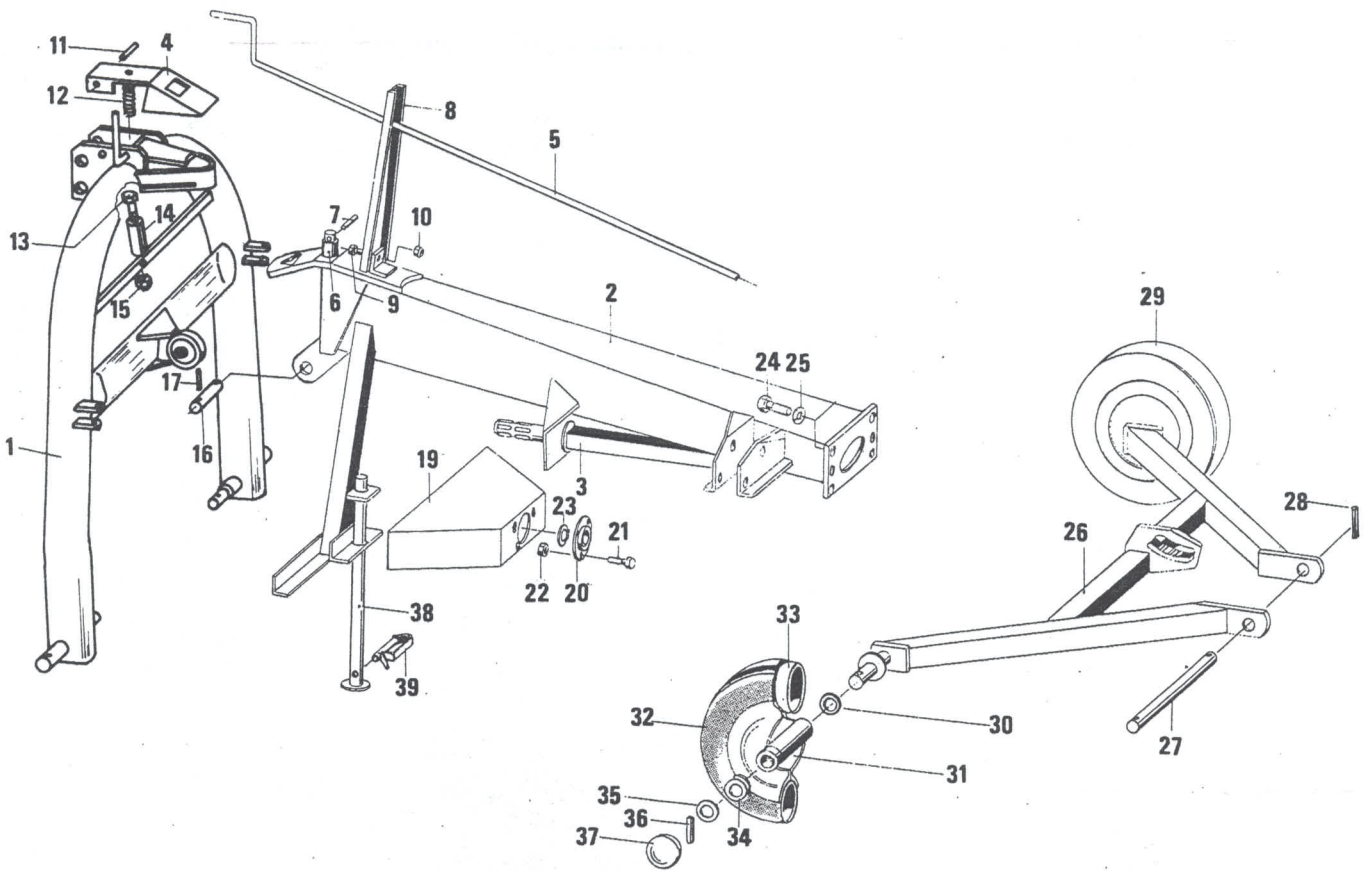


Fig. 1

| POS. | NUMMER | RS 290 | RS 320x | RS 340x | RS 420x | BETEGNELSE | BEZEICHNUNG | DESIGNATION |
|------|-----------|-----------|------------|------------|------------|---|-------------|--|
| 25 | 1242-4221 | 6 | 6 | 6 | 5 | Fjederskive M 12 Federscheibe M 12 | | Spring washer M 12 Rondelle à ressort M 12 |
| 25a | 2505-387x | - | - | - | 1 | Afstandsør Distanzrohr | | Distance tube Tube d'espacement |
| 26 | 2505-195x | 1 | 1 | - | - | Hjulstel Radgestell | | Wheel frame Bâti de roue |
| | 2505-196x | - | - | 1 | 1 | Hjulstel Radgestell | | Wheel frame Bâti de roue |
| 27 | 2504-529x | 1 | 1 | 1 | 1 | Tap Zapfen | | Dowel Cheville |
| 28 | 1251-4201 | 2 | 2 | 2 | 2 | Spændestift 6 x 30 Spannstift 6 x 30 | | Special pin 6 x 30 Goupille mecanindus 6 x 30 |
| 29 | 2505-145x | 2 | 2 | 2 | - | Hjul samlet Rad gesammelt | | Wheel assembling Roue assemblée |
| | 2505-371x | - | - | - | 2 | Hjul samlet Rad gesammelt | | Wheel assembling Roue assemblée |
| 30 | 2509-564x | 2 | 2 | 2 | 2 | Skive Scheibe | | Washer Rondelle |
| 31 | 2505-146x | 2 | 2 | - | - | Fælg 4,50 x 6 Felge 4,50 x 6 | | Rim 4,50 x 6 Jante 4,50 x 6 |
| | 2509-532x | - | - | 2 | - | Fælg Felge | | Rim Jante |
| | 2505-372x | - | - | - | 2 | Fælg 7,00 x 8 Felge 7,00 x 8 | | Rim 7,00 x 8 Jante 7,00 x 8 |
| 32 | 1331-6302 | 2 | 2 | - | - | Dæk 15 x 6,00 - 6 4PR Reifen 15 x 6,00 - 6 4PR | | Tyre 15 x 6,00 - 6 4PR Pneu 15 x 6,00 - 6 4PR |
| | 2509-530x | - | - | 2 | - | Dæk 16x6,50 - 8 4PR Reifen 16x6,50 - 8 4PR | | Tyre 16 x 6,50 - 8 4PR Pneu 16 x 6,50 - 8 4PR |
| | 2505-373x | - | - | - | 2 | Dæk 18 x 8,5 x 8 4PR Reifen 18 x 8,5 x 8 4PR | | Tyre 18 x 8,5 x 8 4PR Pneu 18 x 8,5 x 8 4PR |
| 33 | 1322-6103 | 2 | 2 | 2 | - | Slange 15 x 6 Schlauch 15 x 6 | | Tube 15 x 6 Chambre à air 15 x 6 |
| | 2509-531x | - | - | 2 | - | Slange 16 x 6,50 Schlauch 16 x 6,50 | | Tube 16 x 6,50 Chambre à air 16 x 6,50 |
| | 2505-374x | - | - | - | 2 | Slange 18 x 8,5 Schlauch 18 x 8,5 | | Tube 18 x 8,5 Chambre à air 18 x 8,5 |
| 34 | 2509-556x | 2 | 2 | 2 | 2 | Passkive 25 x 35 x 0,3 Passscheibe 25 x 35 x 0,3 | | Tight-fitting washer 25 x 35 x 0,3 Rondelle ajustée 25 x 35 x 0,3 |
| | 2509-563x | 2 | 2 | 2 | 2 | Passkive 25 x 35 x 0,5 Passscheibe 25 x 35 x 0,3 | | Tight-fitting washer 25 x 35 x 0,3 Rondelle ajustée 25 x 35 x 0,5 |
| | 2509-566x | 2 | 2 | 2 | 2 | Passkive 25 x 35 x 1,0 Passscheibe 25 x 35 x 1,0 | | Tight-fitting washer 25 x 35 x 1,0 Rondelle ajustée 25 x 35 x 1,0 |
| 35 | 2509-564x | 2 | 2 | 2 | 2 | Skive Scheibe | | Washer Rondelle |
| 36 | 1251-5303 | 2 | 2 | 2 | 2 | Spændestift 8 x 40 Spannstift 8 x 40 | | Special pin 8 x 40 Goupille mecanindus 8 x 40 |
| 37 | 2509-068x | 2 | 2 | 2 | 2 | Navkapsel Nabenkappe | | Hub cap Chapeau de moyeu |
| 38 | 2505-108x | 1 | 1 | 1 | 1 | Støttefod Stütze | | Support Support |
| 39 | 2509-621x | 1 | 1 | 1 | 1 | Fjederbolt Federbolzen | | Spring bolt Ressort de Boulon |

Fig. 2

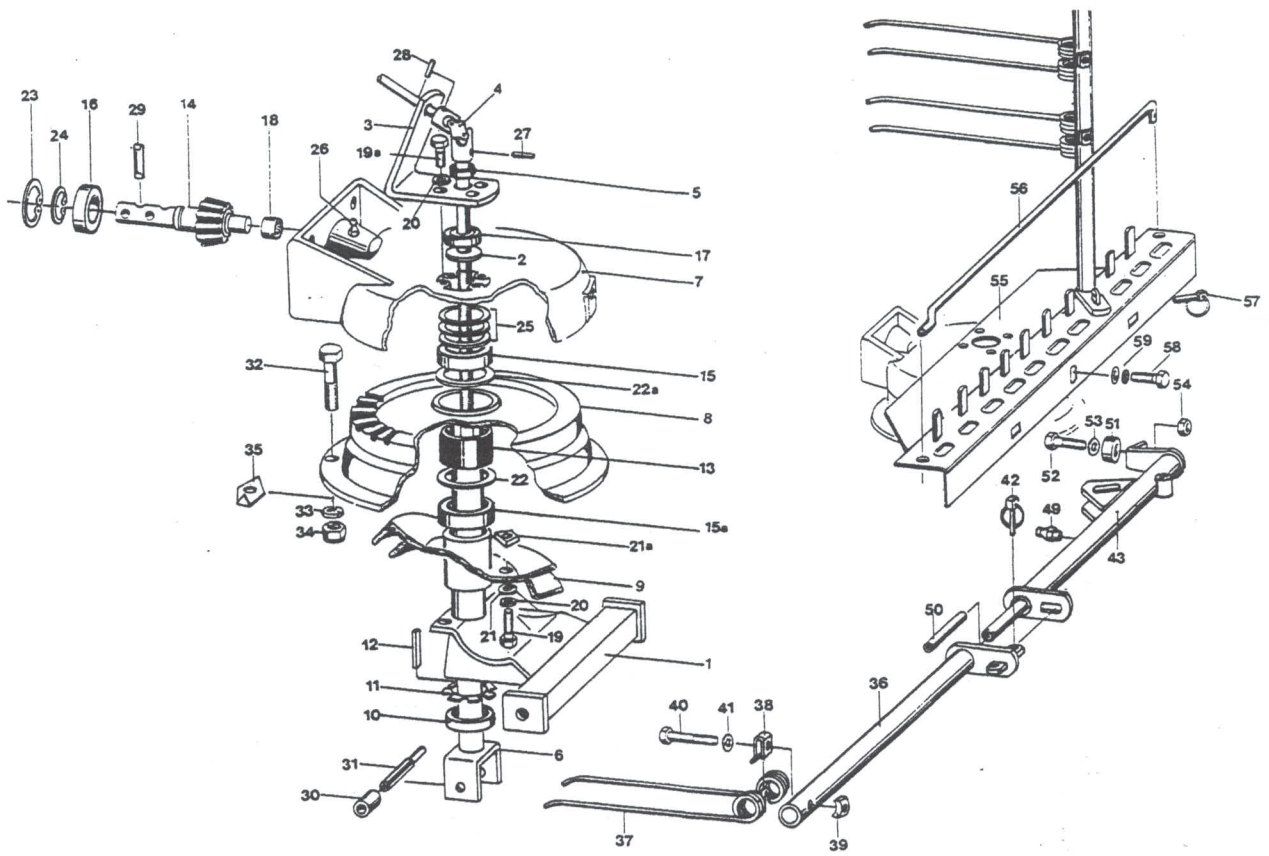


Fig. 2

| POS. | NUMMER | RS 290 | RS 320x | RS 340x | RS 420x | BETEGNELSE | BEZEICHNUNG | DESIGNATION |
|------|-----------|-----------|------------|------------|------------|--|--|-------------|
| | 2505-197x | 1 | - | - | - | Drevenhed RS 290 Antriebseinheit RS 290 | Pinion unit RS 290 Unité de pignon RS 290 | |
| | 2505-198x | - | 1 | - | - | Drevenhed RS 320x Antriebseinheit RS 320x | Pinion unit RS 320x Unité de pignon RS 320x | |
| | 2505-199x | - | - | 1 | - | Drevenhed RS 340x Antriebseinheit RS 340x | Pinion unit RS 340x Unité de pignon RS 340x | |
| | 2505-375x | - | - | - | 1 | Drevenhed RS 420x Antriebseinheit RS 420x | Pinion unit RS 420x Unité de pignon RS 420x | |
| 1 | 2505-200x | 1 | 1 | 1 | 1 | Holder til hjulophæng Radgestell | Wheel frame Bâti de roue | |
| 2 | 2505-201x | 1 | 1 | 1 | 1 | Spindel Spindel | Spindle Vis de réglage | |
| 3 | 2505-202x | 1 | 1 | 1 | 1 | Holder til håndtag Halteung f. Handgriff | Support for handle Support de levief | |
| 4 | 2505-203x | 1 | 1 | 1 | 1 | Kardanled Kreuzgelenke | Joint complet Universal joint | |
| 5 | 2505-204x | 1 | 1 | 1 | 1 | Afstandsbesning Distanzbuche | Distance bush Douille d'espacement | |
| 6 | 2505-205x | 1 | 1 | 1 | 1 | Løftestang Hebel | Lever Crochet de levage | |
| 7 | 2505-206x | 1 | 1 | 1 | 1 | Rotorhus Rotorgehäuse | Rotorhouse Boîtier de rotor | |
| 8 | 2505-207x | 1 | - | - | - | Tandkrans med nav Zahnkranz mit Nabe | Toothed rim hub Couronne dentée de Moyeu | |
| | 2505-208x | - | 1 | - | - | Tandkrans med nav Zahnkranz mit Nabe | Toothed rim hub Couronne dentée de Moyeu | |
| | 2505-209x | - | - | 1 | - | Tandkrans med nav Zahnkranz mit Nabe | Toothed rim hub Couronne dentée de Moyeu | |
| | 2505-376x | - | - | - | 1 | Tandkrans med nav Zahnkranz mit Nabe | Toothed rim hub Couronne dentée de Moyeu | |
| 9 | 2505-210x | 1 | 1 | 1 | 1 | Styreskive Kurvenscheibe | Steering disc Disque-came | |
| 10 | 2505-211x | 1 | 1 | 1 | 1 | Sikringsmøtrik Mutter | Nut Ecrou | |
| 11 | 2505-212x | 1 | 1 | 1 | 1 | Låseblik Schlossblech | Striker plate Platine | |
| 12 | 2505-213x | 2 | 2 | 2 | 2 | Pasfeder 14 x 6 x 50 Federkeil 14 x 6 x 50 | Flat key 14 x 6 x 50 Clavette 14 x 6 x 50 | |
| 13 | 2505-214x | 1 | 1 | 1 | 1 | Afstandsbesning Distanzbuchse | Distance bush Douille d'espacement | |
| X 14 | 2505-215x | 1 | 1 | 1 | - | Drevaksel Ritzelwelle | Pinion shaft Arbre de pignon | |
| | 2505-377x | - | - | - | 1 | Drevaksel Ritzelwelle | Pinion shaft Arbre de pignon | |
| 15 | 1331-2305 | 1 | 1 | 1 | 1 | Kugleleje 6012 2 RS Kugellager 6012 2 RS | Ball bearing 6012 2 RS Roulement 6012 2 RS | |
| 15a | 1331-2305 | 1 | 1 | 1 | 1 | Kugleleje 6011 2 RS Kugellager 6011 2 RS | Ball bearing 6011 2 RS Roulement 6011 2 RS | |
| 16 | 1331-2304 | 1 | 1 | 1 | 1 | Kugleleje 6007 2 RS Kugellager 6007 2 RS | Ball bearing 6007 2 RS Roulement 6007 2 RS | |
| 17 | 2505-216x | 1 | 1 | 1 | 1 | Axial-leje FAG 511 Z 20 Axial-Lager FAG 511 Z 20 | Axial ball bearing FAG 511 Z 20 Axial-roulement FAG 511 Z 20 | |
| 18 | 2505-217x | 1 | 1 | 1 | 1 | Nåleleje INA BK 2018 RS Nadellager INA BK 2018 RS | Needlebearing INA BK 2018 RS Roulement de aiguille INA BK 2018 RS | |
| 19 | 1213-4322 | 1 | 1 | 1 | 1 | Maskinskruer M 12 x 30 Stahlschraube M 12 x 30 | Steel screw M 12 x 30 Vis d'acier M 12 x 30 | |

Fig. 2

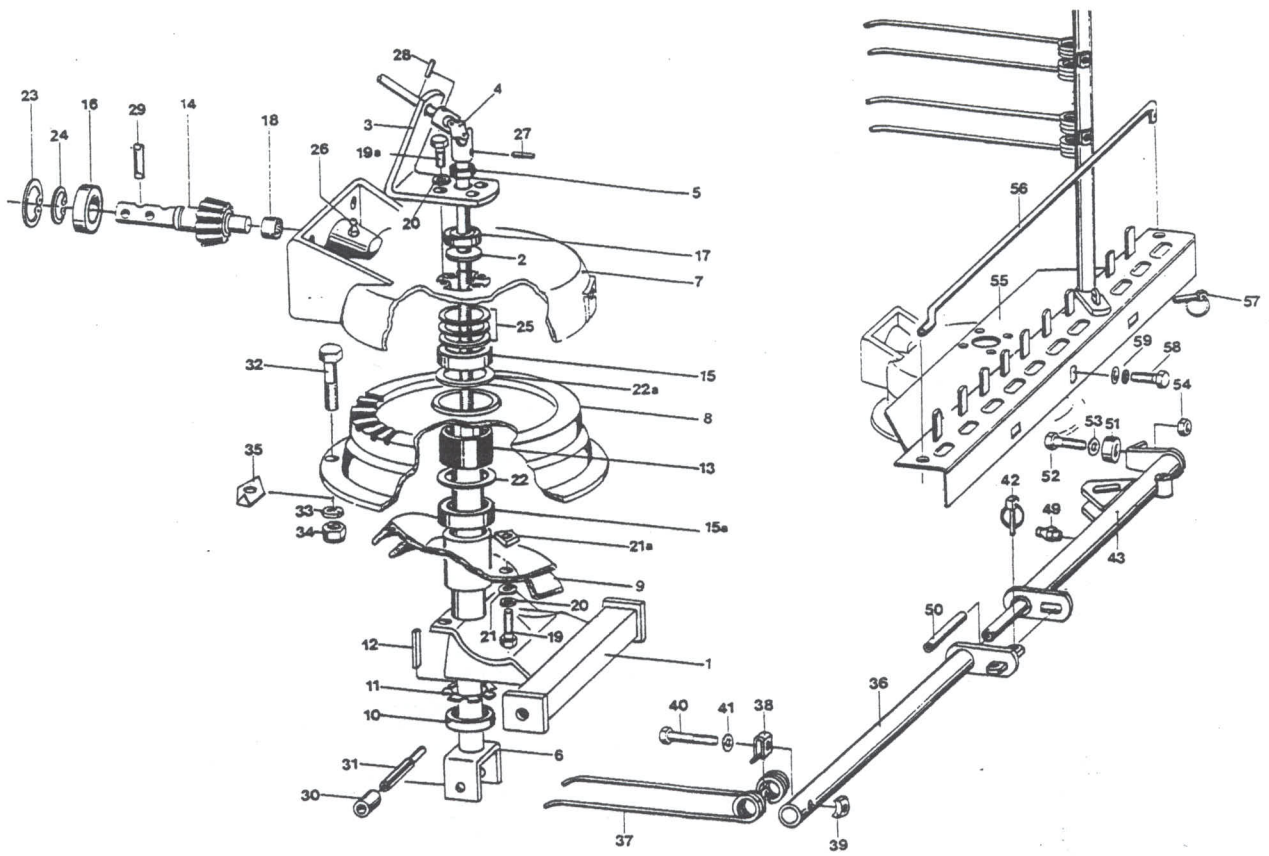


Fig. 2

| POS. | NUMMER | RS 290 | RS 320x | RS 340x | RS 420x | BETEGNELSE | BEZEICHNUNG | DESIGNATION |
|--------------|-----------|-----------|------------|------------|------------|--|--|-------------|
| 19a | 1213-4324 | 4 | 4 | 4 | 1 | Maskinskrue M 12 x 35 Stahlschraube M 12 x 35 | Steel screw M 12 x 35 Vis d'acier M 12 x 35' | |
| 20 | 1242-4221 | 6 | 6 | 6 | 1 | Fjederskive M 12 Federscheibe M 12 | Springwasher M 12 Rondelle de pression M 12 | |
| 21 | 2505-111x | 1 | 1 | 1 | 1 | Skive Scheibe | Washer Rondelle | |
| 21a | 2505-218x | 1 | 1 | 1 | 1 | Gevindestykke Gevindst uck | Threaded piece Pi e de filetage | |
| 22 | 1255-8101 | 1 | 1 | 1 | 1 | L sering 90 x 3 Sicherungsring 90 x 33 | Locking ring 90 x 3 Anneau de verrouillage 90 x 3 | |
| 22a | 2505-219x | 1 | 1 | 1 | 1 | L sering 95 x 3 Sicherungsring 95 x 3 | Locking ring 95 x 3 Anneau de verrouillage 95 x 3 | |
| 23 | 1255-5102 | 1 | 1 | 1 | 1 | L sering 62 x 2 Sicherungsring 62 x 2 | Locking ring 62 x 2 Anneau de verrouillage 62 x 2 | |
| 24 | 1255-3202 | 1 | 1 | 1 | 1 | L sering 35 x 1,5 Sicherungsring 35 x 1,5 | Locking ring 35 x 1,5 Anneau de verrouillage 35 x 1,5 | |
| 25 | 2505-220x | 1 | 1 | 1 | 1 | Passkive 60 x 75 x 1,0 Distanzscheibe 60 x 75 x 1,0 | Distance washer 60 x 75 x 1,0 Rondelle d'espacement 60 x 75 x 1,0 | |
| | 2505-221x | 1 | 1 | 1 | 1 | Passkive 50 x 75 x 0,5 Distanzscheibe 50 x 75 x 0,5 | Distance washer 50 x 75 x 0,5 Rondelle d'espacement 50 x 75 x 0,5 | |
| | 2505-222x | 1 | 1 | 1 | 1 | Passkive 60 x 75 x 0,3 Distanzscheibe 60 x 75 x 0,3 | Tight-fitting 60 x 75 x 0,3 Rondelle ajust e 60 x 75 x 0,3 | |
| 26 | 2509-594x | 1 | 1 | 1 | 1 | Sm renippel H 1 SFG 8 x 1 Schmiernippel H 1 SFG 8 x 1 | Grease nipple H 1 SFG 8 x 1 Graisseur H 1 SFG 8 x 1 | |
| 27 | 1251-4103 | 1 | 1 | 1 | 1 | Sp ndestift 6 x 24 Spannstift 6 x 24 | Special pin 6 x 24 Goupille m canindus 6 x 24 | |
| | 1251-1103 | 1 | 1 | 1 | 1 | Sp ndestift 3,5 x 24 Spannstift 3,5 x 24 | Special pin 3,5 x 24 Goupille m canindus 3,5 x 24 | |
| 28 | 1251-4201 | 2 | 2 | 2 | 2 | Sp ndestift 6 x 30 Spannstift 6 x 30 | Special pin 6 x 30 Goupille m canindus 6 x 30 | |
| 29 | 2505-223x | 4 | 4 | 4 | 4 | Medbringer x Mitnehmer | Carrier Rabatteur | |
| 30 | 2504-530x | 1 | 1 | 1 | 1 | B sning Buchse | Bush Douille | |
| 31 | 1251-7503 | 1 | 1 | 1 | 1 | Sp ndestift 13 x 60 Spannstift 13x 60 | Special pin 13 x 60 Goupille m canindus 13 x 60 | |
| | 1251-5503 | 1 | 1 | 1 | 1 | Sp ndestift 8 x 60 Spannstift 8 x 60 | Special pin 8 x 60 Goupille m canindus 8 x 60 | |
| 32 | 2505-224x | 8 | 9 | 10 | 12 | Maskinskrue M 14 x 1,5 x 90 Stahlschraube M 14 x 1,5 x 90 | Steel screw M 14 x 1,5 x 90 Vis d'acier M 14 x 1,5 x 90 | |
| 33 | 2505-225x | 8 | 9 | 10 | 12 | Fjederskive M 14 Federscheibe M 14 | Spring washer M 14 Rondelle d' ressort M 14 | |
| 34 | 2505-226x | 8 | 9 | 10 | 12 | M trik M 14 Mutter M 14 | Nut M 14 Ecfou M 14 | |
| 35 | 2505-227x | 8 | 9 | 10 | 12 | Sikringsblik Sicherungsblech | Securing plate T l  de s ret  | |
| | 2505-228x | 8 | - | - | - | Ffederarm komplet RS 290 Federarm kpl. RS 290 | Spring arm cpl. RS 290 Bras d  ressort RS 290 | |
| | 2505-229x | - | 9 | - | - | Ffederarm komplet RS 320x Zinkenr ger kpl. RS 320x | Spring arm cpl. RS 320x Bras de rateau cpl. RS 320x | |
| | 2505-230x | - | - | 10 | - | Ffederarm komplet RS 340x Zinkenr ger kpl. RS 340x | Spring arm cpl. RS 340x Bras de rateau cpl. RS 340x | |
| X | 2505-378x | - | - | - | 12 | Ffederarm komplet RS 420x Zinkenr ger kpl. RS 420x | Spring arm cpl. RS 420x Bras de rateau cpl. RS 420x | |

Fig. 2

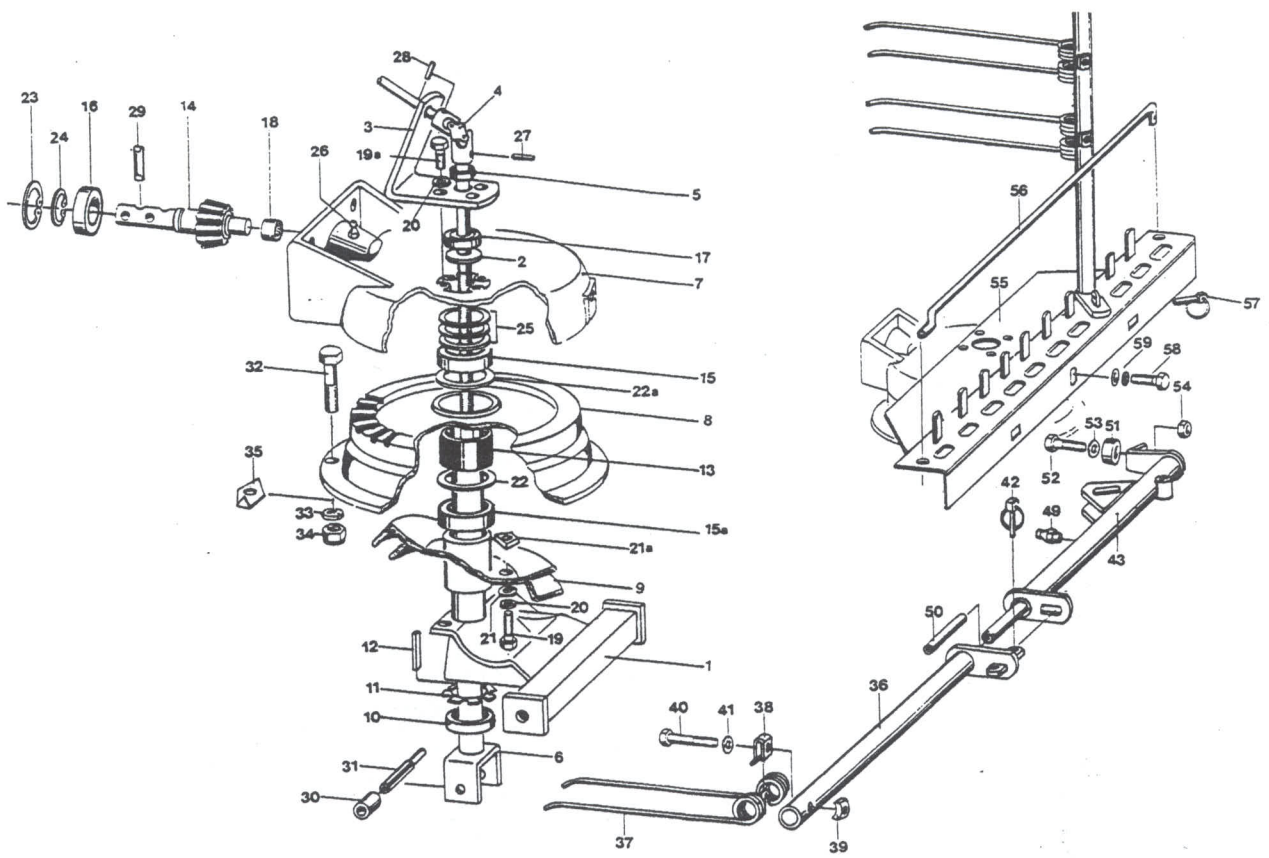


Fig. 2

| POS. | NUMMER | RS 290 | RS 320x | RS 340x | RS 420x | BETEGNELSE | BEZEICHNUNG | DESIGNATION |
|------|--------------|-----------|------------|------------|------------|--|-------------|--|
| 36 | 2505-231x | 8 | - | - | - | Rør til fjeder Rohr f. Feder | | Tube for spring Tube pour ressort |
| | 2505-232x | - | 9 | - | - | Rør til fjeder Rohr f. Feder | | Tube for spring Tube pour ressort |
| | 2505-233x | - | - | 10 | - | Rør til fjeder Rohr f. Feder | | Tube for spring Tube pour ressort |
| | 2505-379x | - | - | - | 12 | Rør til fjeder ✓ Rohr f. Feder | | Tube for spring Tube pour ressort |
| 37 | 2505-234x | 3 | 3 | 4 | 4 | Rivefjeder Doppelzinken | | Rake spring Dent de râteau |
| 38 | 2505-235x ✓ | 4 | 4 | 4 | 4 | Holder Halter | | Support Support |
| 39 | 2505-236xx ✓ | 4 | 4 | 4 | 4 | Konkav møtrik Konkav Mutter | | Konkav nut Ecrou de Konkav |
| 40 | 1214-4324 ✓ | 4 | 4 | 4 | 4 | Maskinskrue M 12 x 75 Stahlschraube M 12 x 75 | | Steel screw M 12 x 75 Vis d'acier M 12 x 75 |
| 41 | 1242-4221 ✓ | 4 | 4 | 4 | 4 | Fjederskive M 12 Federscheibe M 12 | | Washerspring M 12 Rondelle de pression M 12 |
| 42 | 1254-4201 | 1 | 1 | 1 | 1 | Sikringssplit 10 mm Klappsplinte 10 mm | | Securing pin 10 mm Goupilles Clips 10 mm |
| 43 | 2505-237x | 8 | 9 | 10 | - | Rør til fjederarm komplet Rohr f. Federarm cpl. | | Tube for spring arm cpl. Tube pour bras de ressort cpl. |
| | 2505-380x | - | - | - | 12 | Rør til fjederarm komplet Rohr f. Federarm cpl. | | Tube for spring arm cpl. Tube pour bras de ressort cpl. |
| 49 | 2505-238x | 1 | 1 | 1 | 1 | Smørenippel Schmiernippel | | Grease nipple Graisseur |
| | 2505-239x | 1 | 1 | 1 | 1 | Skive Scheibe | | Washer Rondelle |
| 50 | 2505-240x | 1 | 1 | 1 | 1 | Spændestift 24 x 120 Spannstift 24 x 120 | | Special pin 24 x 120 Goupille mécanindus 24 x 120 |
| 51 | 2505-241x | 1 | 1 | 1 | 1 | Løberulle FAG 572 113 Laufrulle FAG 572 113 | | Runroll FAG 572 113 Roulette FAG 572 113 |
| 52 | 1214-4126 | 1 | 1 | 1 | 1 | Maskinskrue M 12 x 45 Stahlschraube M 12 x 45 | | Steel screw M 12 x 45 Vis d'acier M 12 x 45 |
| 53 | 2509-674x | 1 | 1 | 1 | 1 | Passkive 13 x 19 x 1,0 Distanzscheibe 13 x 19 x 1,0 | | Distance washer 13 x 19 x 1,0 Rondelle d'espacement 13 x 19 x 1,0 |
| 54 | 2505-151x | 1 | 1 | 1 | 1 | Møtrik M 12 Mutter M 12 | | Nut M 12 Ecrou M 12 |
| 55 | 2505-242x | 1 | 1 | 1 | - | Plade til fjeder Platte f. Feder | | Plate for spring Plaque de râteau |
| | 2505-381x | - | - | - | 1 | Plade til fjeder Platte f. Feder | | Plate for spring Plaque de râteau |
| 56 | 2505-243x | 1 | 1 | 1 | 1 | Håndtag Handgriff | | Handle Poignée |
| 57 | 1254-2102 | 1 | 1 | 1 | 1 | Sikringssplit 4,5 mm Klappsplinte 4,5 mm | | Securing pin 4,5 mm Goupilles clips 4,5 mm |
| 58 | 1213-4322 | 1 | 1 | 1 | 1 | Maskinskrue M 12 x 30 Stahlschraube M 12 x 30 | | Steel screw M 12 x 30 Vis d'acier M 12 x 30 |
| 59 | 1242-4221 | 1 | 1 | 1 | 1 | Fjederskive M 12 Federscheibe M 12 | | Spring washer M 12 Rondelle de pression M 12 |
| | 2505-111x | 1 | 1 | 1 | 1 | Skive Scheibe | | Washer Rondelle |

Fig. 3

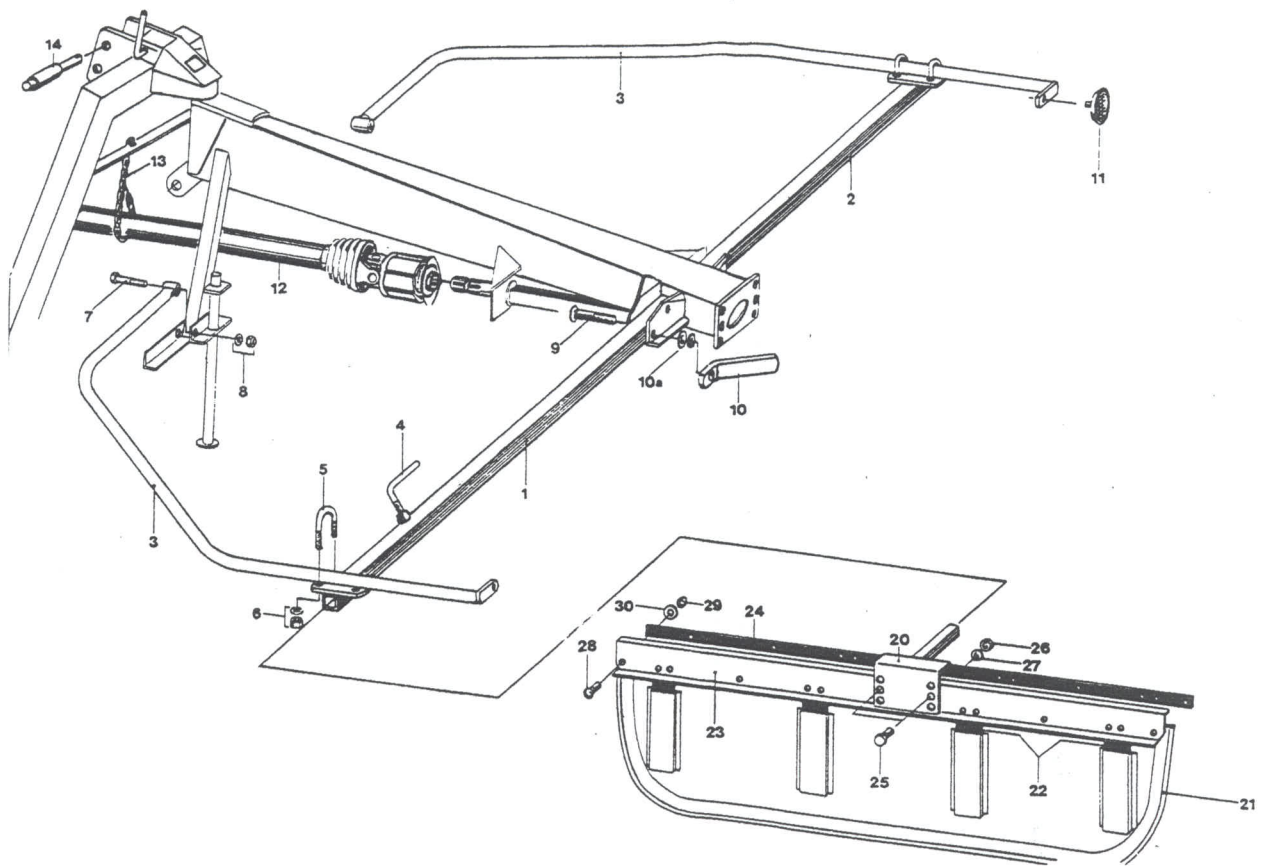


Fig. 3

| POS. | NUMMER | RS 290 | RS 320x | RS 340x | RS 420x | BETEGNELSE | BEZEICHNUNG | DESIGNATION |
|------|-----------|-----------|------------|------------|------------|--|-------------|---|
| 1 | 2505-244x | 1 | - | - | - | Holder til beskyttelsesbøjle Haltering f. Schutzbügel | | Support for protection hoop Supporte protection d'etrier |
| | 2505-245x | - | 1 | - | - | Holder til beskyttelsesbøjle Haltering f. Schutzbügel | | Support for protection hoop Supporte protection d'etrier |
| | 2505-246x | - | - | 1 | - | Holder til beskyttelsesbøjle Haltering f. Schutzbügel | | Support for protection hoop Supporte protection d'etrier |
| | 2505-382x | - | - | - | 1 | Holder til beskyttelsesbøjle Haltering f. Schutzbügel | | Support for protection hoop Supporte protection d'etrier |
| 2 | 2505-247x | 1 | - | - | - | Holder til beskyttelsesbøjle Haltering f. Schutzbügel | | Support for protection hoop Supporte protection d'etrier |
| | 2505-248x | - | 1 | - | - | Holder til beskyttelsesbøjle Haltering f. Schutzbügel | | Support for protection hoop Supporte protection d'etrier |
| | 2505-249x | - | - | 1 | - | Holder til beskyttelsesbøjle Haltering f. Schutzbügel | | Support for protection hoop Supporte protection d'etrier |
| | 2505-383x | - | - | - | 1 | Holder til beskyttelsesbøjle Haltering f. Schutzbügel | | Support for protection hoop Supporte protection d'etrier |
| | 2505-384x | - | - | - | 1 | Holder til beskyttelsesbøjle Haltering f. Schutzbügel | | Support for protection hoop Supporte protection d'etrier |
| 3 | 2505-250x | 2 | - | - | - | Beskyttelsesbøjle Haltering f. Schutzbügel | | Hoop for protection Protection de etrier |
| | 2505-251x | - | 2 | - | - | Beskyttelsesbøjle Schutz f. Bügel | | Hoop for protection Protection de etrier |
| | 2505-252x | - | - | 2 | - | Beskyttelsesbøjle Schutz f. Bügel | | Hoop for protection Protection de etrier |
| | 2505-385x | - | - | - | 2 | Beskyttelsesbøjle Schutz f. Bügel | | Hoop for protection Protection de etrier |
| 4 | 2504-573x | 1 | 1 | 1 | 2 | Låseskrue Knebelschraube | | Locking screw Vis d'arrêt |
| 5 | 1399-0235 | 4 | 4 | 4 | 6 | Bøjle Bügel | | Hoop Etrier |
| 6 | 1220-2122 | 8 | 8 | 8 | 12 | Møtrik, M 8 Mutter, M 8 | | Nut, M 8 Ecrou, M 8 |
| | 1242-2221 | 8 | 8 | 8 | 12 | Fjederskive Federscheibe | | Spring washer Ressort de Rondelle |
| 7 | 1214-3228 | 2 | 2 | 2 | 2 | Maskinskrue, 10 x 65 Stahlschraube, 10 x 65 | | Steel screw, 10 x 65 Vis d'acier, 10 x 65 |
| 8 | 1220-3122 | 2 | 2 | 2 | 2 | Møtrik, M 10 Mutter, M 10 | | Nut, M 10 Ecrou, M 10 |
| | 1242-3221 | 2 | 2 | 2 | 2 | Fjederskive, M 10 Federscheibe, M 10 | | Spring washer, M 10 Ressort de Rondelle, M 10 |
| 9 | 2505-253x | 2 | 2 | 2 | 2 | Bræddeskrue, M 12 x 70 Flachrundschrabe, M 12 x 70 | | Carriage bolt, M 12 x 70 Boulon à tête ronde, M 12 x 70 |
| 10 | 2505-254x | 2 | 2 | 2 | 2 | Vrider Wringer | | Fastener Tourniquet |
| | 1242-4221 | 2 | 2 | 2 | 2 | Fjederskive, M 12 Federscheibe, M 12 | | Spring washer, M 12 Ressort de Rondelle, M 12 |
| | 2505-111x | 2 | 2 | 2 | 2 | Skive Scheibe | | Washer Rondelle |
| 11 | 2505-174x | 2 | 2 | 2 | 2 | Baglys, rød Hinter Licht, rot | | Back-light, red Derrière de Luminurex, rouge |
| 12 | 2505-255x | 1 | 1 | 1 | 1 | Kraftoverføringsaksel Gelenkwelle | | P.T.O. Shaft Arbre A Cardans |
| 13 | 2505-256x | 1 | 1 | 1 | 1 | Kæde til P.T.O. Kette f. P.T.O. | | Cable til P.T.O. Chaîne pdf. P.T.O. |

Fig. 3

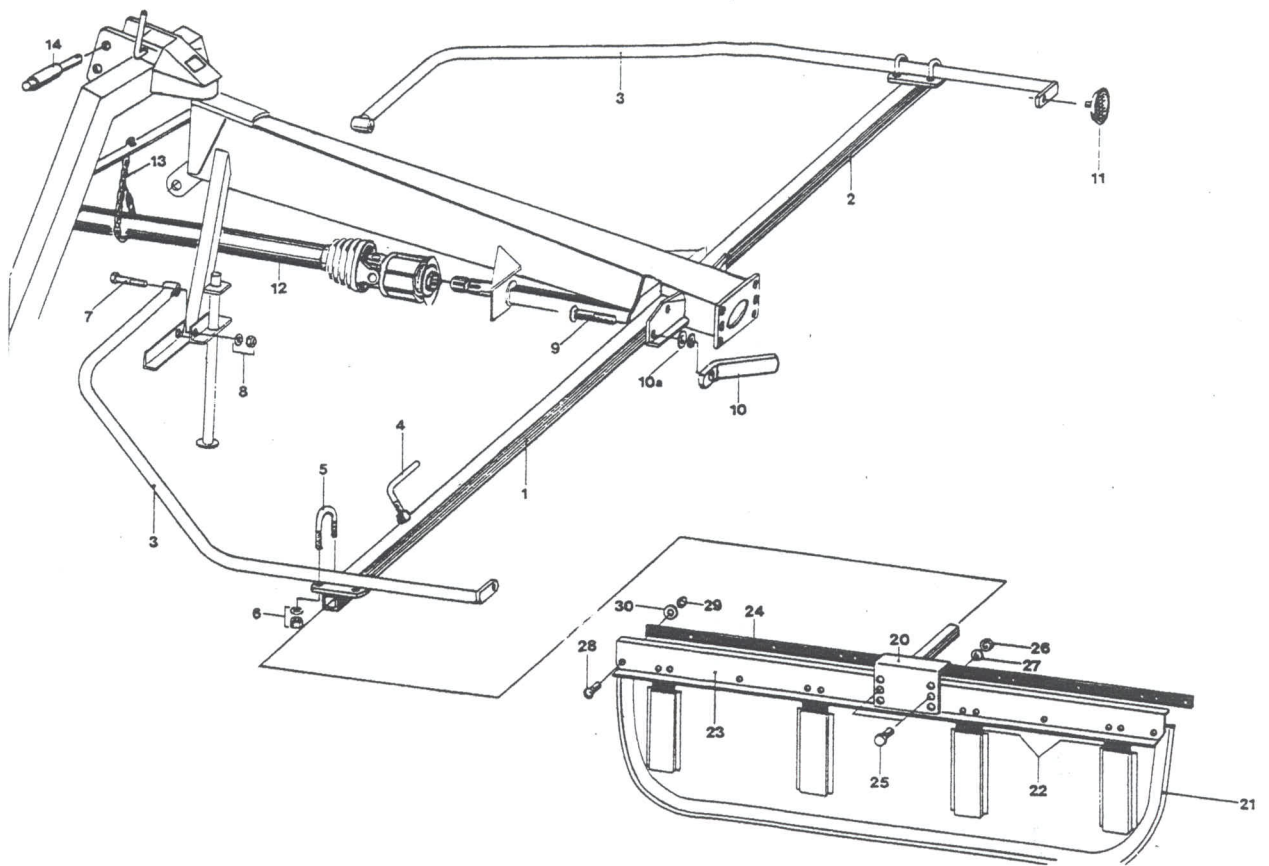
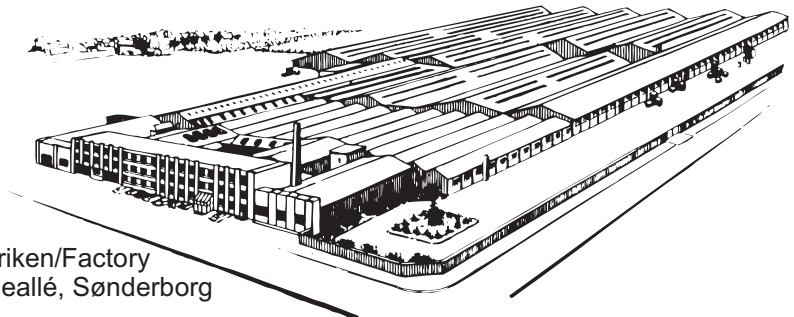
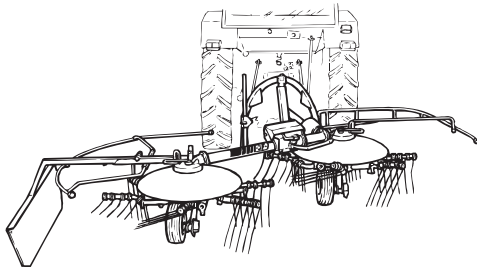
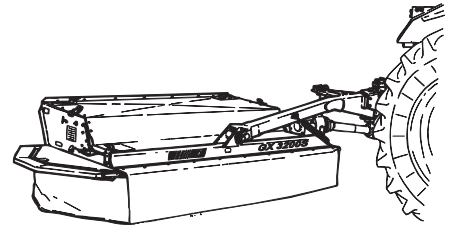
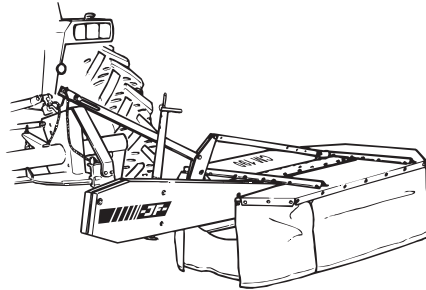
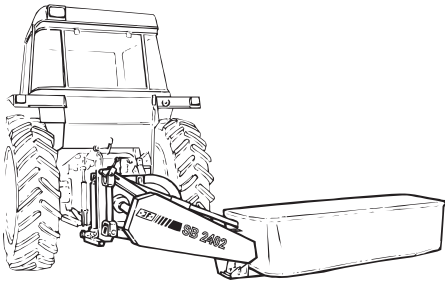


Fig. 3

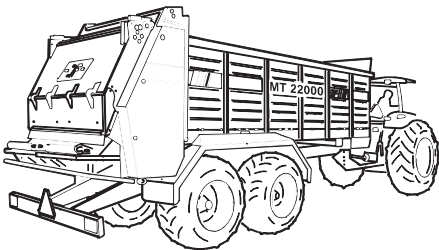
| POS. | NUMMER | RS 290 | RS 320x | RS 340x | RS 420x | BETEGNELSE | BEZEICHNUNG | DESIGNATION |
|------|-----------|-----------|------------|------------|------------|------------------------|----------------------------|--|
| 14 | 2505-257x | 1 | 1 | 1 | 1 | Universal topbolt | Universaler Toppbolzen | Universal top bolt Cheville universielle |
| | 2505-258x | 1 | 1 | 1 | 1 | Skråskærm, komplet | Schwadformer | Swath guard, cpl. Tôle déflectrice, cpl. |
| 20 | 2505-259x | 1 | 1 | 1 | - | Holder | Halterung | Support Support |
| | 2505-386x | - | - | - | 2 | Holder | Halterung | Support Support |
| 21 | 2505-260x | 1 | 1 | 1 | 1 | - JF - Skråskærm | - JF - Schwadformer | - JF - Swath guard, cpl. - JF - Cheville |
| 22 | 2505-261x | 4 | 4 | 4 | 4 | Bladfjeder | Blattfeder | Sheetspring Rondelle de Feuille |
| 23 | 2505-262x | 1 | 1 | 1 | 1 | Skråskærmsholder | Halterung f. Schwadformer | Top bolt support Support de cheville |
| 24 | 2505-263x | 1 | 1 | 1 | 1 | Skinne | Schiene | Rail Ferrure |
| 25 | 1213-3224 | 2 | 2 | 2 | 4 | Maskinskrue, M 10 x 25 | Stahlschraube, M 10 x 25 | Steel screw, M 10 x 25 Vis d' acier, M 10 x 25 |
| 26 | 1220-3122 | 2 | 2 | 2 | 4 | Møtrik, M 10 | Mutter, M 10 | Nut, M 10 Ecrou, M 10 |
| 27 | 1242-3221 | 2 | 2 | 2 | 4 | Fjederskive, M 10 | Federscheibe, M 10 | Washerspring, M 10 Rondelle de pression, M 10 |
| 28 | 2505-264x | 13 | 13 | 13 | 13 | Bræddeskrue, M 6 x 16 | Flachrundschrube, M 6 x 16 | Carriage bolt, M 6 x 16 Boulon à tête ronde, M 6 x 16 |
| 29 | 1220-1323 | 13 | 13 | 13 | 13 | Møtrik, M 6 | Mutter, M 6 | Nut, M 6 Ecrou, M 6 |
| 30 | 2505-239x | 13 | 13 | 13 | 13 | Skive | Scheibe | Washer Rondelle |



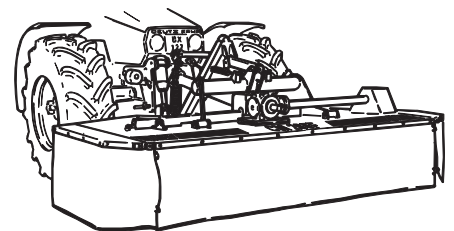
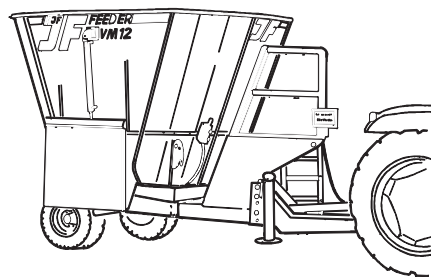
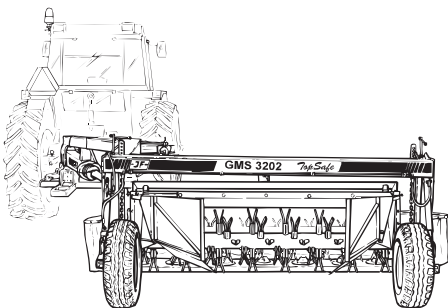
Et omfattende maskin program
Ein Lieferprogramm mit Zukunft
Progress In Farm Machinery
Une gamme de machines étendu
Progreso en Maquinaria Agrícola



Fabriken/Factory
Lindeallé, Sønderborg



Fabriken/Factory
Ulkebøl, Sønderborg



PR60-074X-02 RS 290-320-340-420 (X)

JF-Fabriken - J. Freudendahl A/S
DK-6400 Sønderborg - DANMARK
Tel: (+45) 74 12 52 52
Fax: (+45) 74 42 58 08
Fax: (+45) 74 42 55 41
www.jf.dk
(A company in the JF Group)