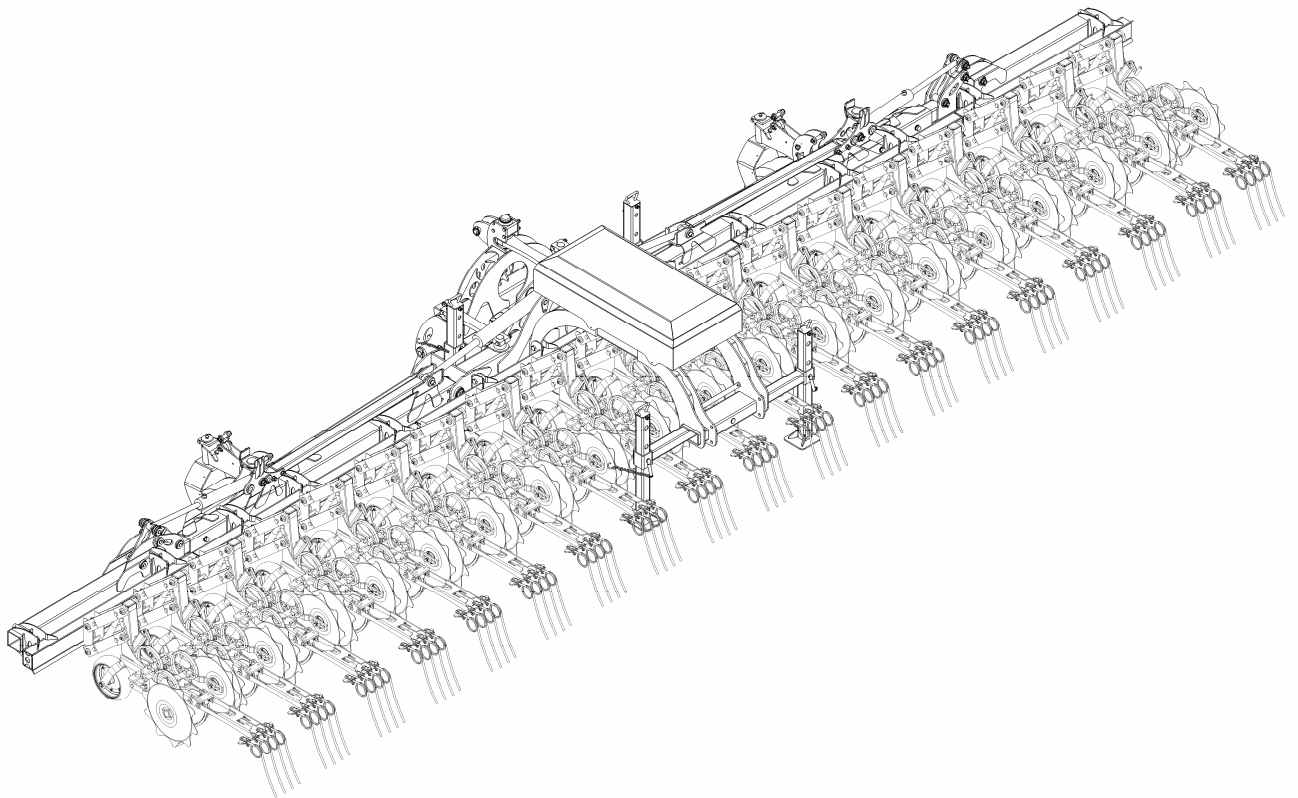


VibroCrop Intelli 2014



Reservedelsliste
Spare parts list
Ersatzteilliste
Onderdelenlijst
Liste de piece de rechange
Catalogul de piese de schimb
Katalog części zamiennych

Part No. 303 090 003

dated 10-05-2014

Valid for serial number : PROT-01+PROT-10 and 401300925

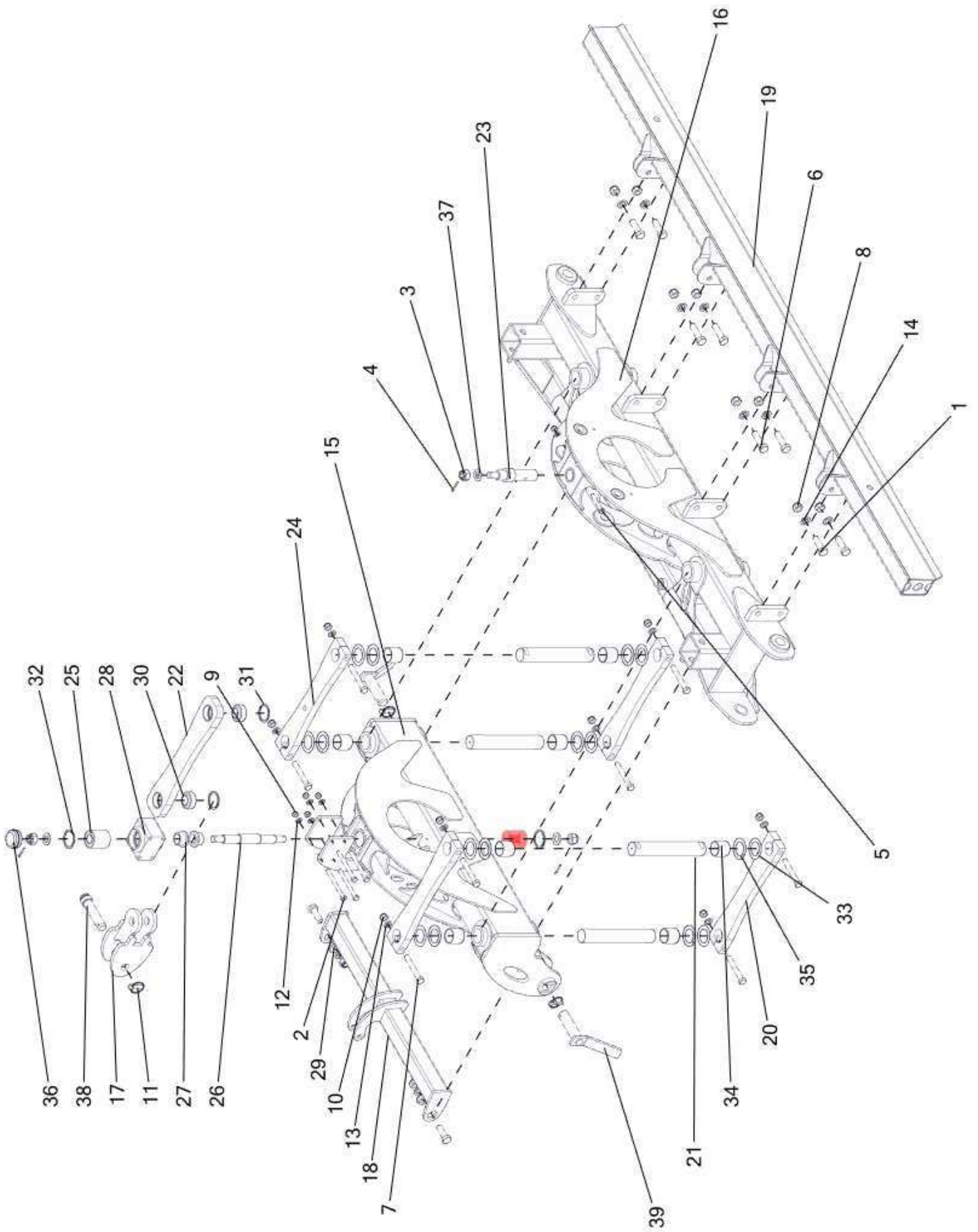


Fig.	Serial no.	Part no.	Quantity	Description	Tab.1.
1		100306066	6	EL-GALV 8.8 STEEL BOLT 20X60	
2		100306110	4	STEELBOLT 8.8 M12X140. ELGV.	
3		100316062	3	CROWNNUT M24X2 ELGV.	
4		100333009	3	3,2 X 35 PIN	
5		300304065	1	BOLT M12x75 8.8 FZB DIN931	
6		300304118	4	BOLT M20x75 8.8 FZB DIN931	
7		300304304	8	BOLT M16x120 10.9 FZB DIN931	
8		300316016	10	Lock nut M20 cl.8 FZB DIN985	
9		300316021	5	Lock nut M12 cl.8 FZB DIN985	
10		300316023	8	Lock nut M16 cl.8 FZB DIN985	
11		300323046	3	Cotter	
12		300332008	5	Washer M12 FZB DIN126	
13		300332009	8	Washer M16 FZB DIN126	
14		300332034	10	Washer M20 FZB DIN126	
15		303010001	1	Front central frame VCO-I 9m 2014	
16		303010002	1	Rear central frame VCO-I 9m 2014	
17		303010012	1	Top link connection	
18		303010039	1	Stabi disc bar VCO-I 9m 2014	
19		303010078	1	Central section interface VCO-I 9m 2014	
20		303020004	3	Parallelogram arm VCO-I 9m 2014	
21		303020005	4	Parallelogram shaft VCO-I 9m 2014	
22		303020048	1	Top link parallelogram arm VCO-I 9m 2014	
23		303020051	1	Top link parallelogram pin rear VCO-I 9m 2014	
24		303020055	1	Parallelogram arm with hole for cylinder pin VCO-I 9m 2014	
25		303020057	2	Ultra bush	
26		303020059	1	Top link parallelogram pin front VCO-I 9m 2014	
27		303020062	2	Top link spacer VCO-I 9m 2014	
28		303020071	1	Rubber bush housing	
29		303020138	2	Disc bar bush VCO-I 9m 2014	
30		303020196	2	Sliding bearing GEH 35 TXG3E-2LS VCO-I 9m 2014	
31		303020197	2	Sliding bearing GEH 35 TXG3E-2LS VCO-I 9m 2014	
32		303020198	2	Spring clip W62 DIN 472 VCO-I 9m 2014	
33		303021108	8	Washer	
34		303021207	8	IGUS Q2SM-5055-50 (sleeve bearing)	
35		303021211	8	IGUS GTM-5278-020 (thrust washer)	
36		600473006	1	Dust cap D-5000	
37		7000546224	3	WASHER M24	
38		71000186791	1	PIVOT O.KCAT.3 RD.42X162	
39		7201014512	2	PIN KAT3	
40					

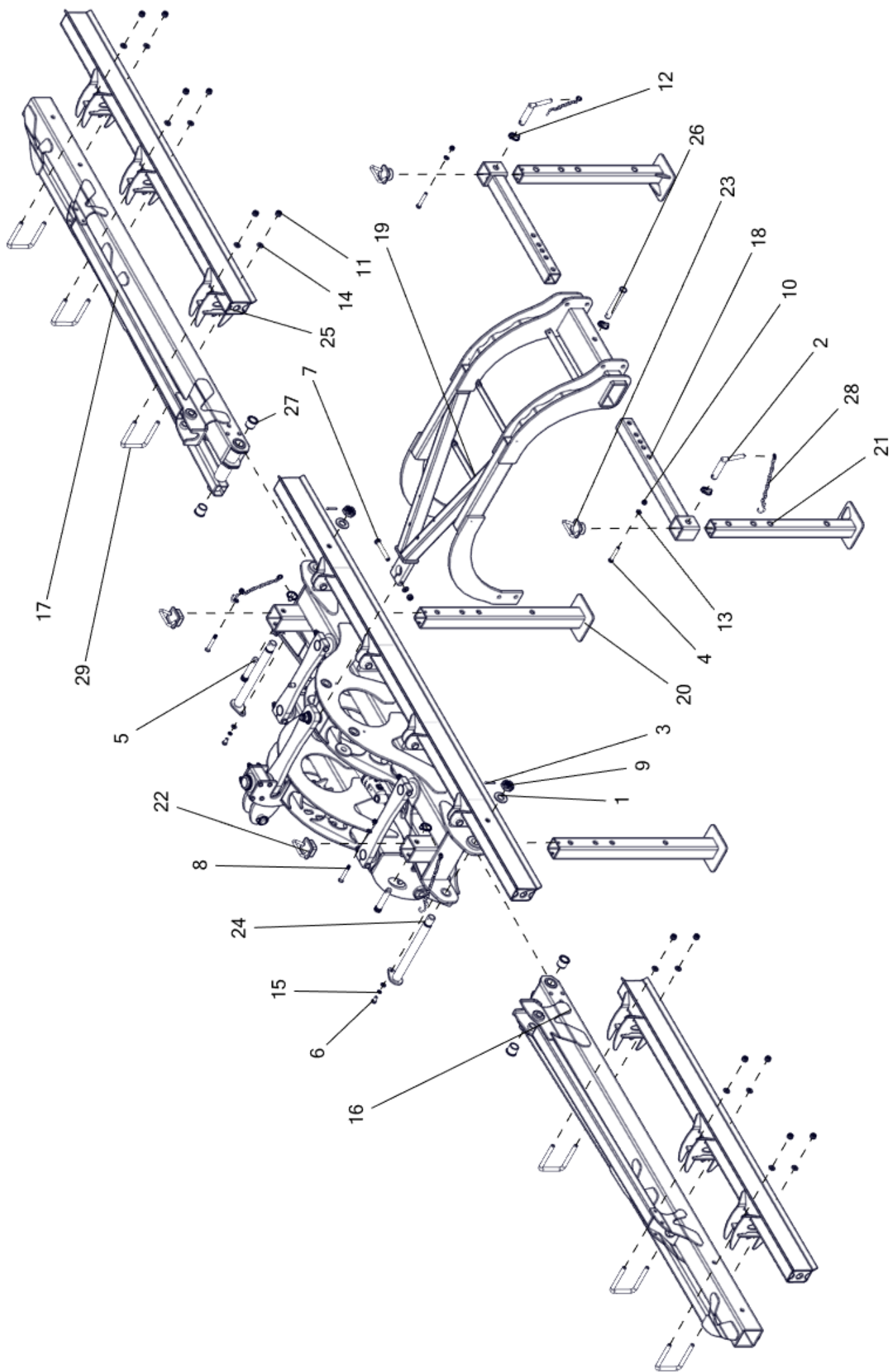
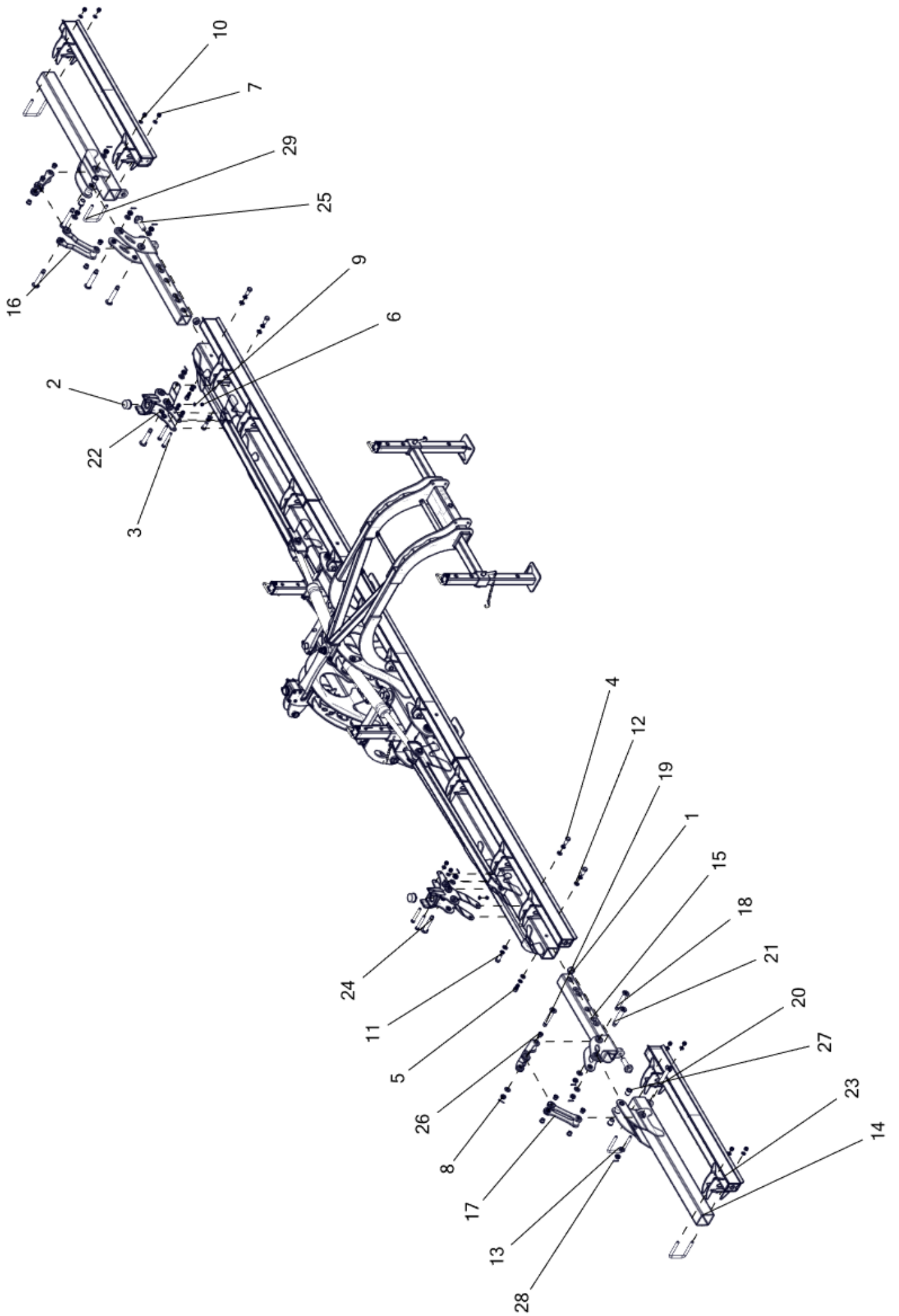
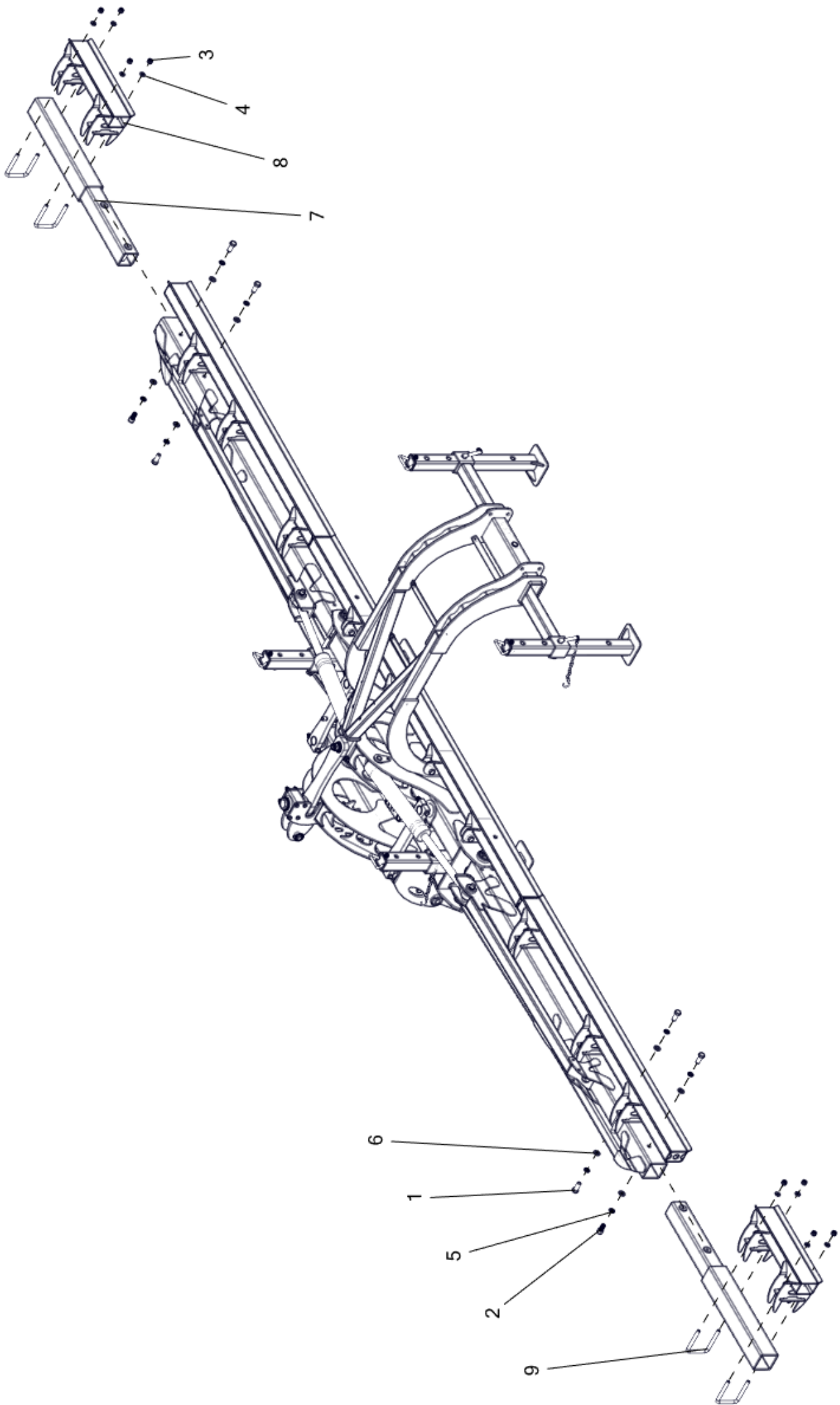


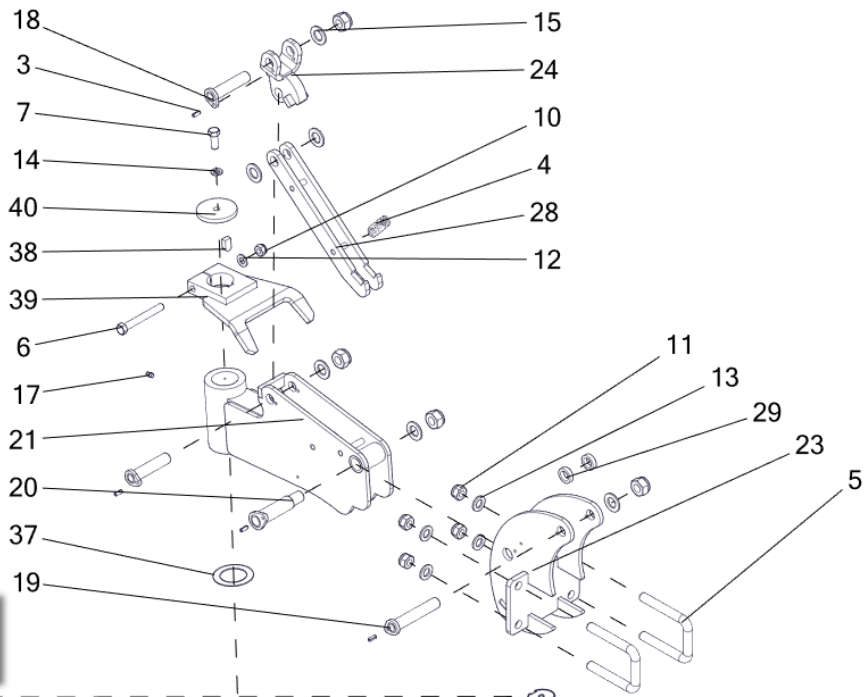
Fig.	Serial no.	Part no.	Quantity	Description	Tab.2.
1		100331065	2	SKIVE A R37/R66 X 5 ELGV	
2		101000842	2	TRČKBOLT KAT. 2 SV.	
3		200215432	2	SPLINT 6,3X 45- DIN 94-ST-ZN	
4		200217544	2	BOLT M12x95 8.8 FZB =31703431	
5		300001990	2	Pin 25x144	
6		300304055	2	Bolt M12x25 8.8 FZB DIN933	
7		300304304	1	BOLT M16x120 10.9 FZB DIN931	
8		300304695	2	Bolt M12x130 8.8 FZB DIN931 KTL	
9		300315024	2	Castle nut M36x3 cl.8 FZB DIN 937	
10		300316021	4	Lock nut M12 cl.8 FZB DIN985	
11		300316023	13	Lock nut M16 cl.8 FZB DIN985	
12		300323046	5	Cotter	
13		300332008	6	Washer M12 FZB DIN126	
14		300332009	13	Washer M16 FZB DIN126	
15		300332022	2	Spring washer M12 FZB DIN127B	
16		303010003	1	Main fold wing left VCO-I 9m 2014	
17		303010005	1	Main fold wing right VCO-I 9m 2014	
18		303010036	2	Parking leg holder	
19		303010038	1	Parking platform VCO-I 9m 2014	
20		303010047	2	Front parking leg	
21		303010048	2	Rear parking leg	
22		303010061	2	Parking leg handle	
23		303010062	2	Parking leg handle rear	
24		303010070	2	Main fold hinge pin VCO-I 9m 2014	
25		303010077	2	Main fold sections interface VCO-I 9m 2014	
26		303020143	1	legs holder pin	
27		303020192	4	Main fold bushing Q2FM-4044-40 VCO-I 9m 2014	
28		71000180109	4	SICHERUNGSKETTE, ST VERZ.	
29		7203305004	6	U-bolt M16 (121x150)	



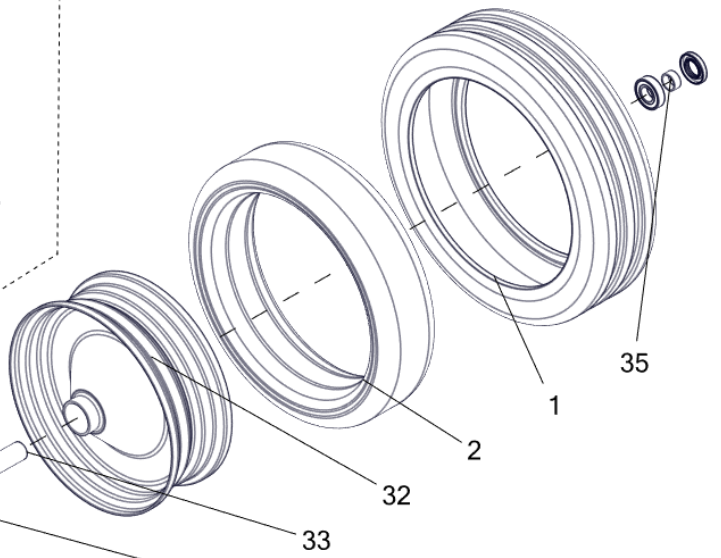
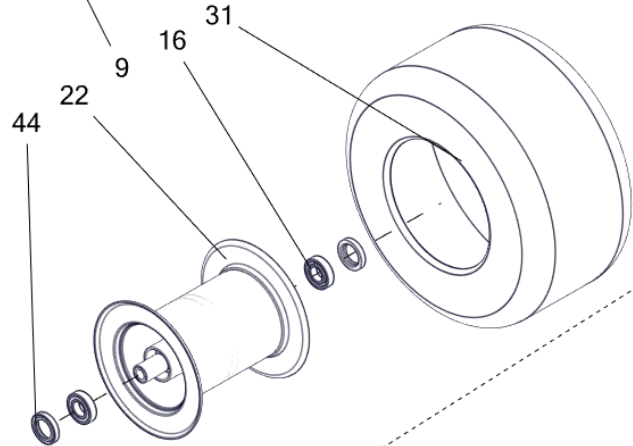
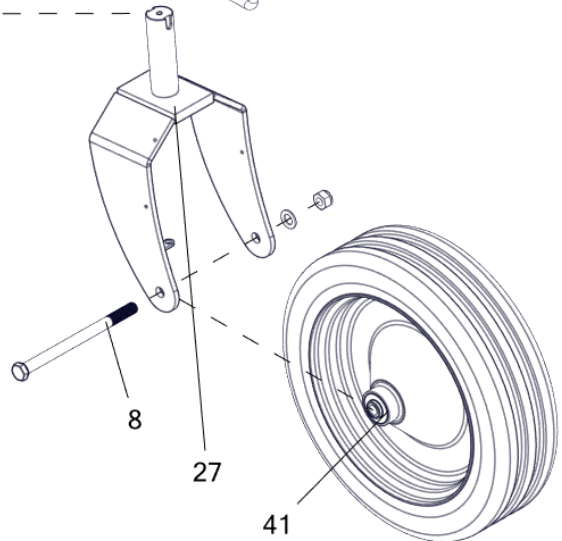
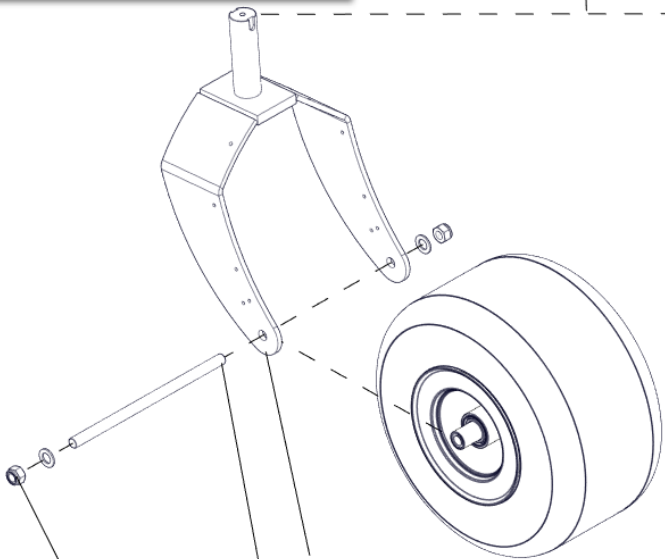
Tab.3.

Fig.	Serial no.	Part no.	Quantity	Description
1		200216230	2	6KTMU M 30X2,0-D IN 934- 8-ZN
2		300001531	2	Amortyzator O60 x M12
3		300304088	4	BOLT M16x130 8.8 FZB DIN931
4		300304106	6	BOLT M20X50-8.8 8.8
5		300304696	2	Bolt M20x40 8.8 FZB DIN912
6		300316021	2	Lock nut M12 cl.8 FZB DIN985
7		300316023	12	Lock nut M16 cl.8 FZB DIN985
8		300316063	10	Nut M24x1,5 cl.6 FZB DIN937
9		300332008	2	Washer M12 FZB DIN126
10		300332009	12	Washer M16 FZB DIN126
11		300332024	8	Spring washer M20 FZB DIN127B
12		300332034	8	Washer M20 FZB DIN126
13		300332035	10	Washer M24 FE/ZN5 DIN126
14		303010022	2	Outer fold wing VCO-I 9m 2014
15		303010023	2	Outer fold inner part VCO-I 9m 2014
16		303010033	2	Outer fold inner lever part VCO-I 9m 2014
17		303010034	2	Outer fold outer lever part VCO-I 9m 2014
18		303010043	2	Outer fold pinbolt VCO-I 9m 2014
19		303010044	2	Outer fold cylinder pinbolt VCO-I 9m 2014
20		303010045	2	Outer fold pinbolt VCO-I 9m 2014
21		303010046	2	Outer fold hinge pinbolt VCO-I 9m 2014
22		303010065	2	Outer fold cylinder holder VCO-I 9m 2014
23		303010074	2	Outer fold sections interface VCO-I 9m 2014
24		303010080	2	Outer fold cylinder pin VCO-I 9m 2014
25		303020098	2	Screw
26		303020194	12	Outer fold bushing Q2FM-2528-21 VCO-I 9m 2014
27		303020195	4	Outer fold bushing Q2FM-3034-40 VCO-I 9m 2014
28		7000547435	10	SPLIT t 5,0X35 FZB DIN 94
29		7203305004	4	U-bolt M16 (121x150)





Wide wheel set



Narrow wheel set

Tab.6.

Fig.	Serial no.	Part no.	Quantity	Description
1		100423070	1	TIRE 24X8.00-14,5 4PLY K401A
2		100423071	1	SLANGE 200/60-14,5 TR15
3		200216093	4	SPANNSTI 6X 16- DIN 1481-ZN ECOSI
4		300006905	1	Spring
5		300008335	2	Shackle M16 (na rure 70x70)
6		300304051	1	BOLT M12x100 8.8 FZB DIN931
7		300304056	1	Bolt M12x30 8.8 DIN933
8		300304302	1	BOLT M20x290 8.8 FZB DIN931
9		300316016	7	Lock nut M20 cl.8 FZB DIN985
10		300316021	1	Lock nut M12 cl.8 FZB DIN985
11		300316023	4	Lock nut M16 cl.8 FZB DIN985
12		300332008	1	Washer M12 FZB DIN126
13		300332009	4	Washer M16 FZB DIN126
14		300332022	1	Spring washer M12 FZB DIN127B
15		300332034	9	Washer M20 FZB DIN126
16		300401020	4	Bearing 6206 2RS
17		300421006	1	Greasing nipple M8x1
18		303010050	2	Pin bolt
19		303010051	1	Pin bolt
20		303010052	1	Pin bolt
21		303010071	1	Wheel link
22		303021282	1	Rim GK 7,00x12 H2 for VCO-I
23		303010101	1	Holder
24		303010151	1	Wheel lock
25		303010211	1	Wheel fork
26		303011129	1	Wheel with tire 23x10,50-12 for VCO-I
27		303011149	1	Narrow wheel fork
28		303020301	1	Wheel lock
29		303020302	2	Spacer
30		303020303	1	Screw
31		303021283	1	Tire 23x10,50-12 for VCO-I
32		372002809	1	RIM GK 6.75x14.5 20x240 SILVER
33		372002812	1	DISTANCE TUBE 35x2,0x178,2
34		372002813	1	INNER TUBE 30x4,5x240
35		372002814	2	METAL SEAL 35x2,5x15
36		372002815	2	OIL SEAL 356210
37		7201003051	1	DISC. 50,5/75/1,5
38		7201003056	1	Key 14x9x25
39		7201003070	1	Bumper welded
40		7201003077	1	Washer 12,5/75/8
41		7201003085	1	Wheel 4/4,5 m - GK 6.75x14,5 10PLY
42		74266235101	2	SEAL 35X62X10 2L

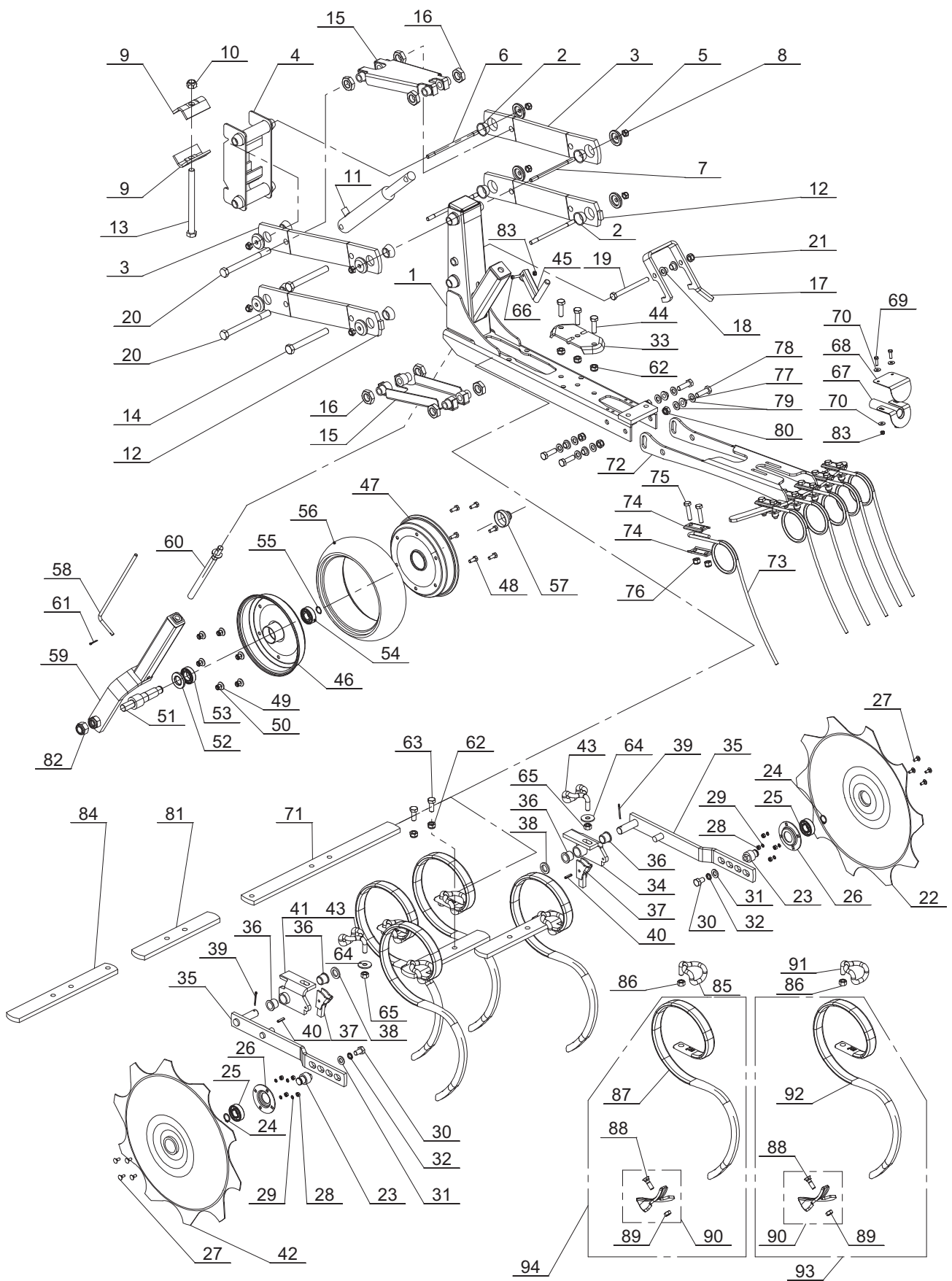


Fig.	Serial no.	Part no.	Quantity	Description	Tab.7.
1		300007463	1	L-part for VCO section- reinforced	
2		101017502	8	BEARING BUSH	
3		300007666	2	Arm parallelogram (painted) VCO	
4		300357100	1	Section holde for VCO-reinforced-painted.	
5		300007466	8	Washer for section arm.	
6		300007481	2	Stay bolt M10x195	
7		300007482	2	Stay bolt M10x170	
8		300316020	8	Lock nut M10 cl.8 FZB DIN985	
9		300007479	2	V-clamp for VCO section	
10		300316023	5	Lock nut M16 cl.8 FZB DIN985	
11		310007136	1	Hydraulic cylinder 30x25x120(2025-0120-0002)	
12		300375800	2	Arm parallelogram (lock)VCO	
13		100306127	1	STEELBOLT M16X197	
14		100306095	2	M16 X 140 STEELBOLT GALV	
15		300361501	2	Reinforcement of parallelogram	
16		71307124020	8	MUTTER M24X1.5	
17		300007664	1	Lock for working section	
18		100402031	2	BEARING Ř12/Ř165	
19		300304021	1	Bolt M12x130 8.8 FZB DIN931	
20		300304250	2	BOLT M16x170 8.8 FZB DIN931	
21		300316021	1	Lock nut M12 cl.8 FZB DIN985	
22		101016156	1	SHIELD, RIGHT	
23		101016225	2	BEARING STUD F. PLANTSCHIELD	
24		100407011	2	External circlip Z 20x1,2 DIN471	
25		300401017	2	Ball bearing 6204 2RS	
26		101017270	2	VBTF PLANT GD:BEARING HOUSE	
27		100311000	8	Bolt M6x15 DIN603 (ver. 3 tines)	
28		300315017	8	Nut M6 cl.8 FZB DIN934	
29		100332002	8	EL-GALV.LOCK WASHER 6MM	
30		300304054	2	BOLT M12X20-8.8 8.8	
31		300332044	2	Washer M12 FZB DIN9021	
32		100332005	2	EL-GALV.LOCK WASHER 12MM	
33		101019085	1	EHF TINE BAR CLAMP	
34		101016203	1	HOLDER F. PLANTPROTECTOR WD R	
35		101016205	2	LEVER FOR ROOLING SHELF WELDED	
36		101017013	4	VBTF MTNG.BKT/P.ARM BUSH	
37		101016157	2	LOCKING PAWL VCO	
38		100331009	2	Washer M20 NOW 300332034	
39		100333009	2	3,2 X 35 PIN	
40		300323028	2	Spring pin 6x24 FZB DIN1481	
41		101016204	1	HOLDER F. PLANTPROTECTOR WD L	
42		101016155		SHIELD, LEFT VCO	
43		101000813	2	SPĆNDEBŘJLE 32X12 U.MŘTRIK MALET	
44		300304058	3	Bolt M12x40 8.8 FZB DIN933	
45		101016357	1	HŁNDTAG SV. VCO	
46		100423017	1	WHEEL PART	
47		100423016	1	WHEEL PART	

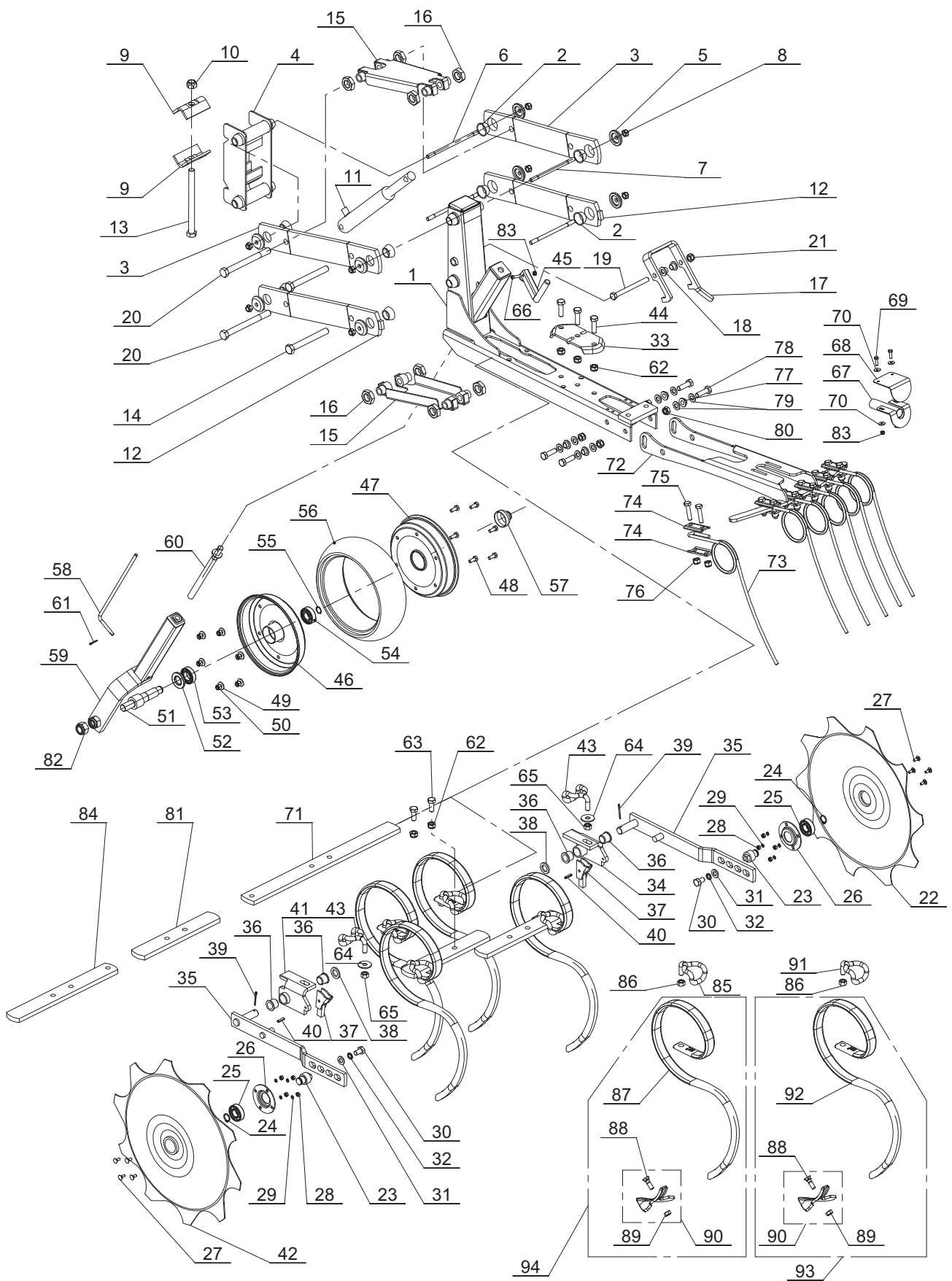


Fig.	Serial no.	Part no.	Quantity	Description	Tab.8.
48		300304152	6	Bolt M8x16 8.8 FZB DIN933	
49		7000602447	6	Washer M8 FZB DIN9021	
50		300316027	6	Lock nut M8 cl.8 FZB DIN985	
51		100423015	1	Support wheel axle 1209 VC	
52		100413014	1	PODKŁADKA SKFZ 005 VC	
53		100401000	1	BEARING 6005	
54		100401007	1	Bearing 6204	
55		100407011	1	External circlip Z 20x1,2 DIN471	
56		101019111	1	Tire 12"X4" VC	
57		101020196	1	WHEEL 'A' AXLE END CAP,1697H	
58		101017514	1	SCALE	
59		101017510	1	UPRIGHT WELD.	
60		101017503	1	WHEEL SPINDLE	
61		100333001	1	ST 320 PIN	
62		300316021	5	Lock nut M12 cl.8 FZB DIN985	
63		300304057	2	Bolt M12x35 8.8 FZB DIN933	
64		300315003	4	NUT M12 cl.8 FZB DIN934	
65		100321017	1	EL-GALV.POSI-DRIVE SCREW 6X25	
66		372348600	1	Spreader plate cpl.	
67		372007095	1	Spreader plate outer	
68		300304135	2	Bolt M6x20 8.8 FZB DIN933	
69		300332052	4	Washer M6 FZB DIN9021	
70		101016209	1	BAR WITH HOLES L580	
71		300363200	1	Rear harrow body (75cm)	
72		300007483	6	Rear harrow tine- VCO	
73		300033389	12	Flat bar	
74		300304037	12	BOLT M10X45 8.8	
75		300316020	12	Lock nut M10 cl.8 FZB DIN985	
76		300007527	4	Rear harrow bush	
77		300304058	4	Bolt M12x40 8.8 FZB DIN933	
78		300332008	8	Washer M12 FZB DIN126	
79		300316021	4	Lock nut M12 cl.8 FZB DIN985	
80		101017342	1	BEAM, BORED	
81		300316016	1	Lock nut M20 cl.8 FZB DIN985	
82		300316026	3	Lock nut M6 cl.8 FZB DIN934	
83		101016208	1	BAR WITH HOLES L400	
84		101000742	1	Tine holder 12X32 + nuts M12	
85		101000507	1	Tine holder	
86		101000766	1	VCO-TINE 32X12,4	
87		101000644	1	ROW CROP SHARE 10.5 CM W/BOLT	
88		101019785	1	VIBRO-BETA 5" SHARE + BOLT	
89		101019786	1	VIBRO-BETA 7" SHARE + BOLT	
90		101000012	1	1 TINE W/O SHARE	
91		101000760	1	VCO-TINE W. 13,5 CM SHARE	
92		101000761	1	VCO-TINE W. 20 CM SHARE	
93		101000600	1	Tine KPL. VC	

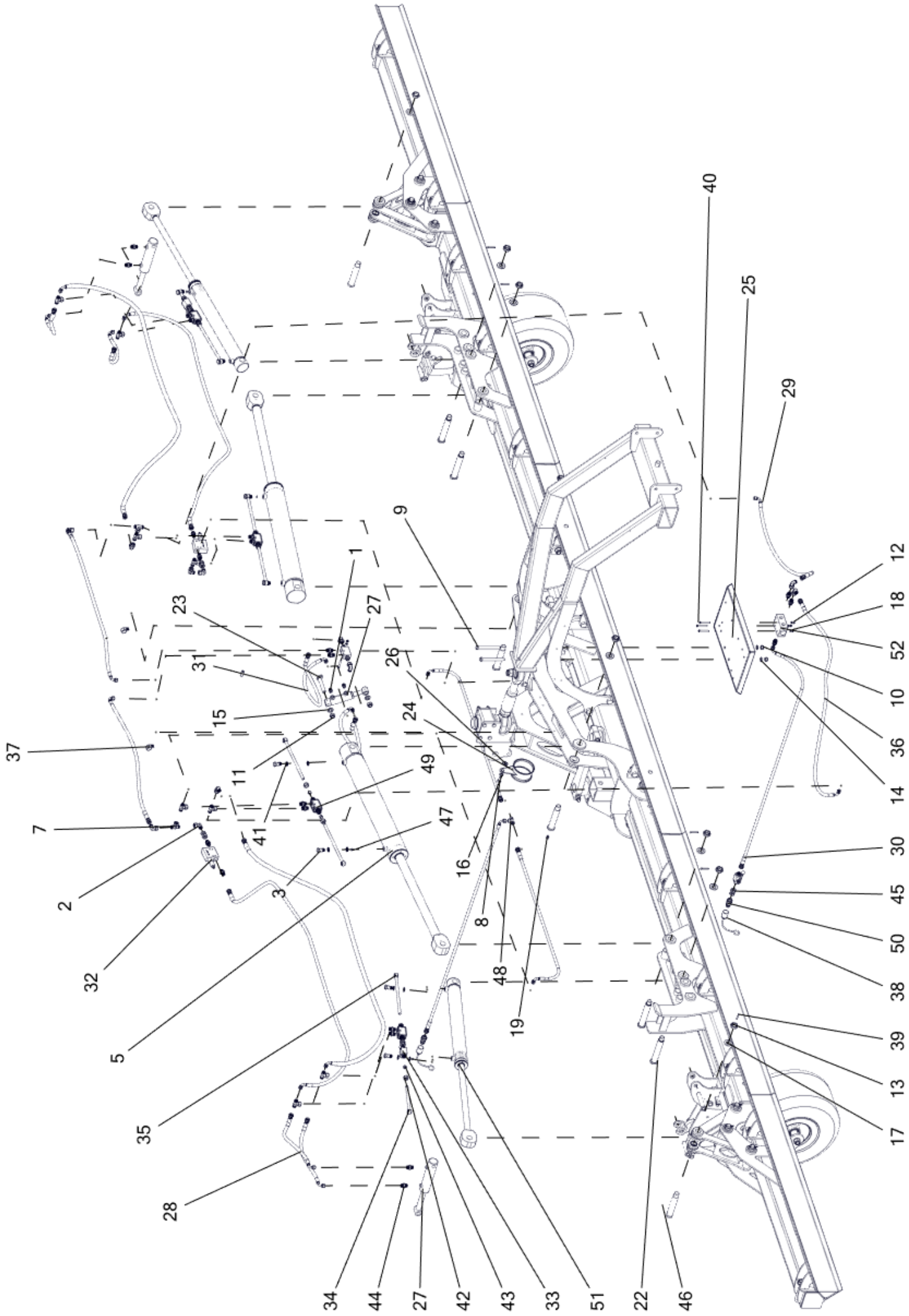
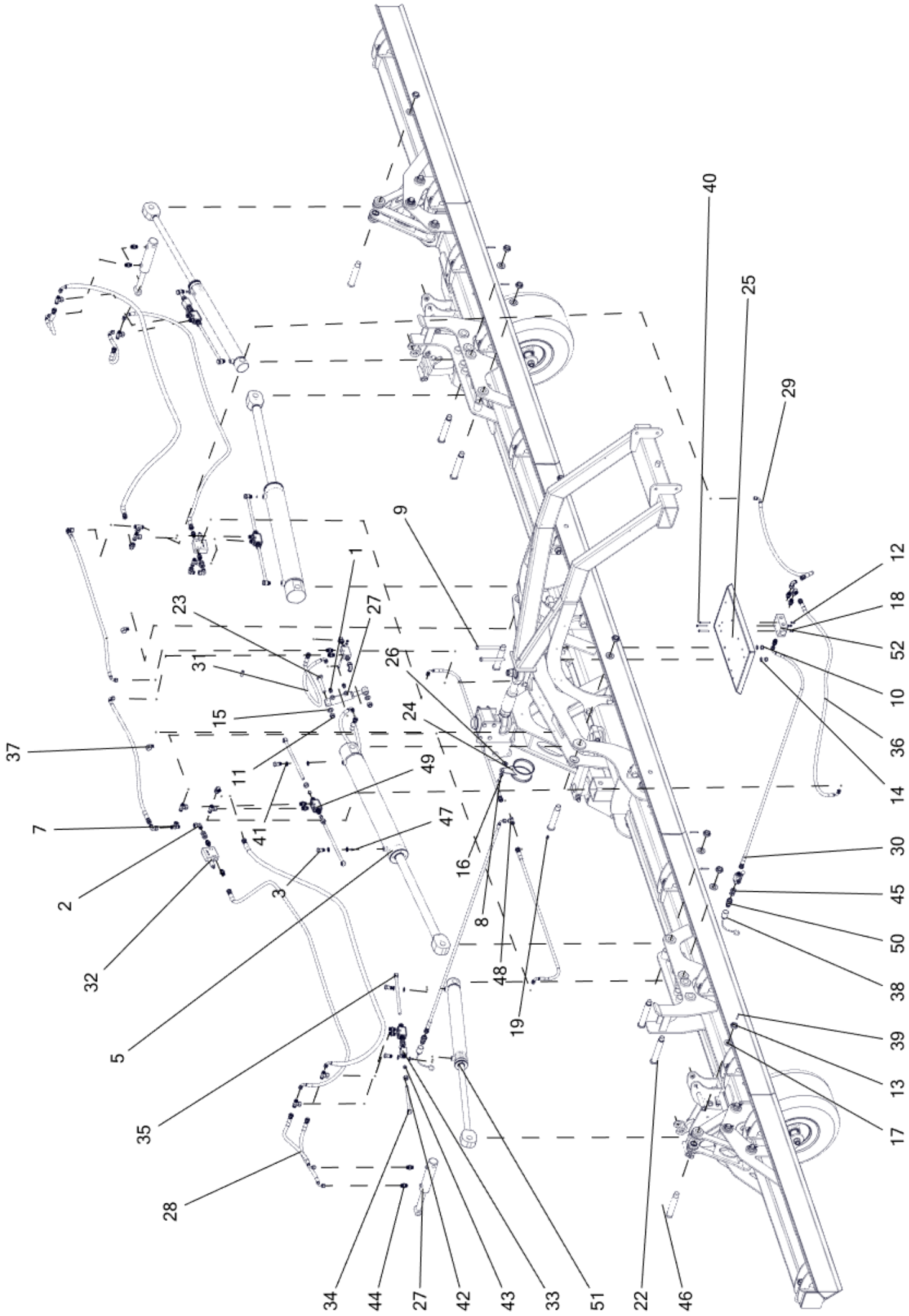
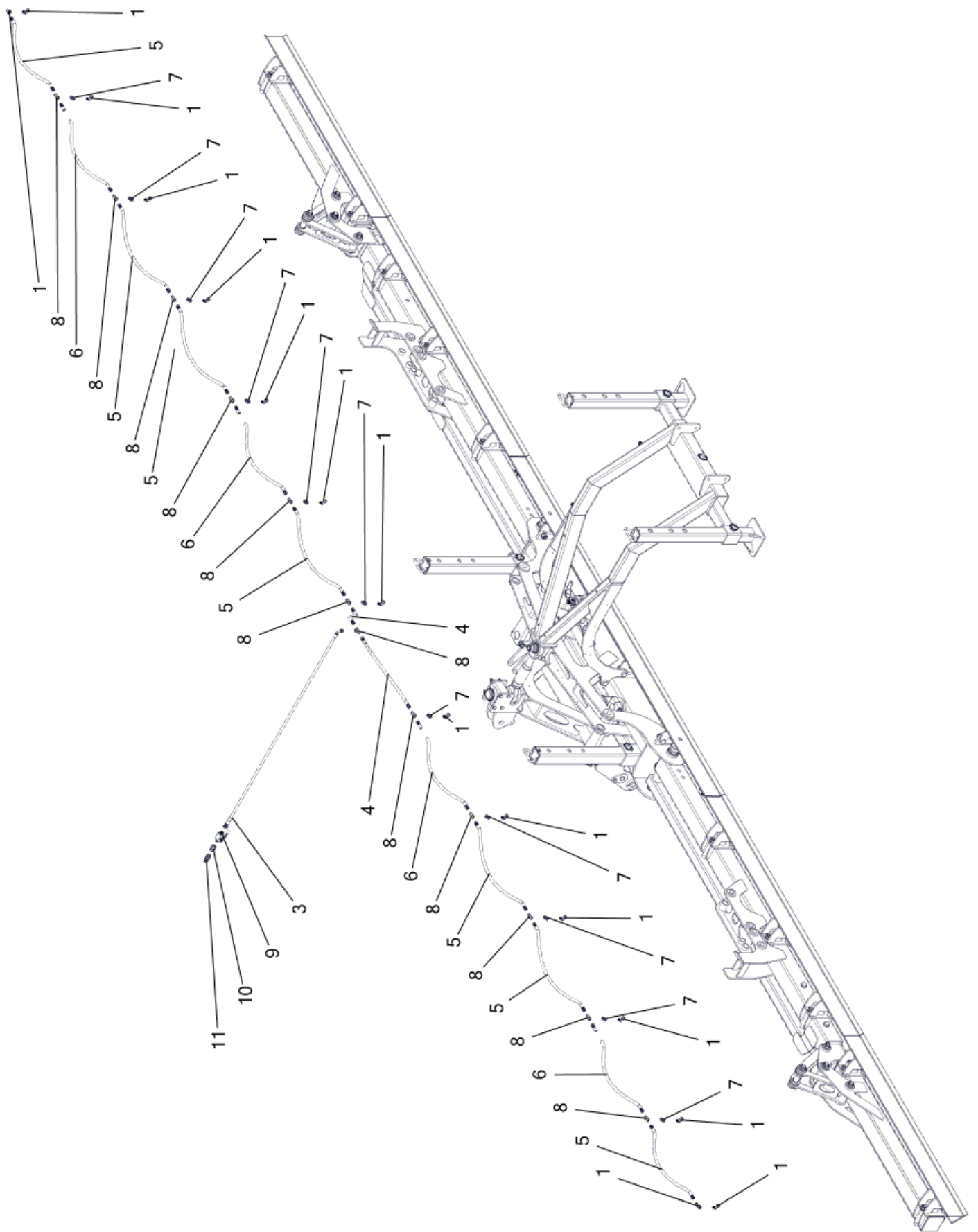
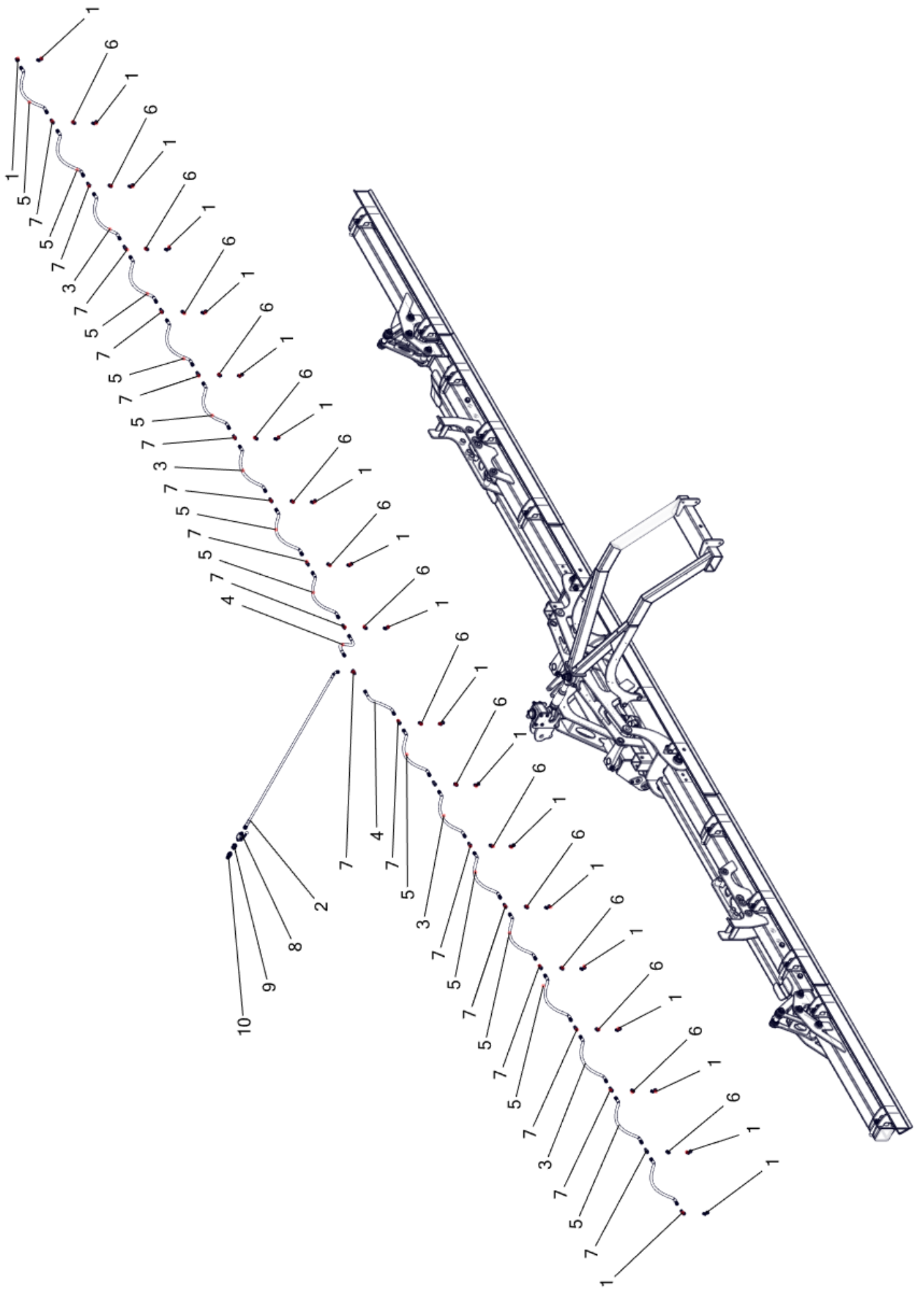


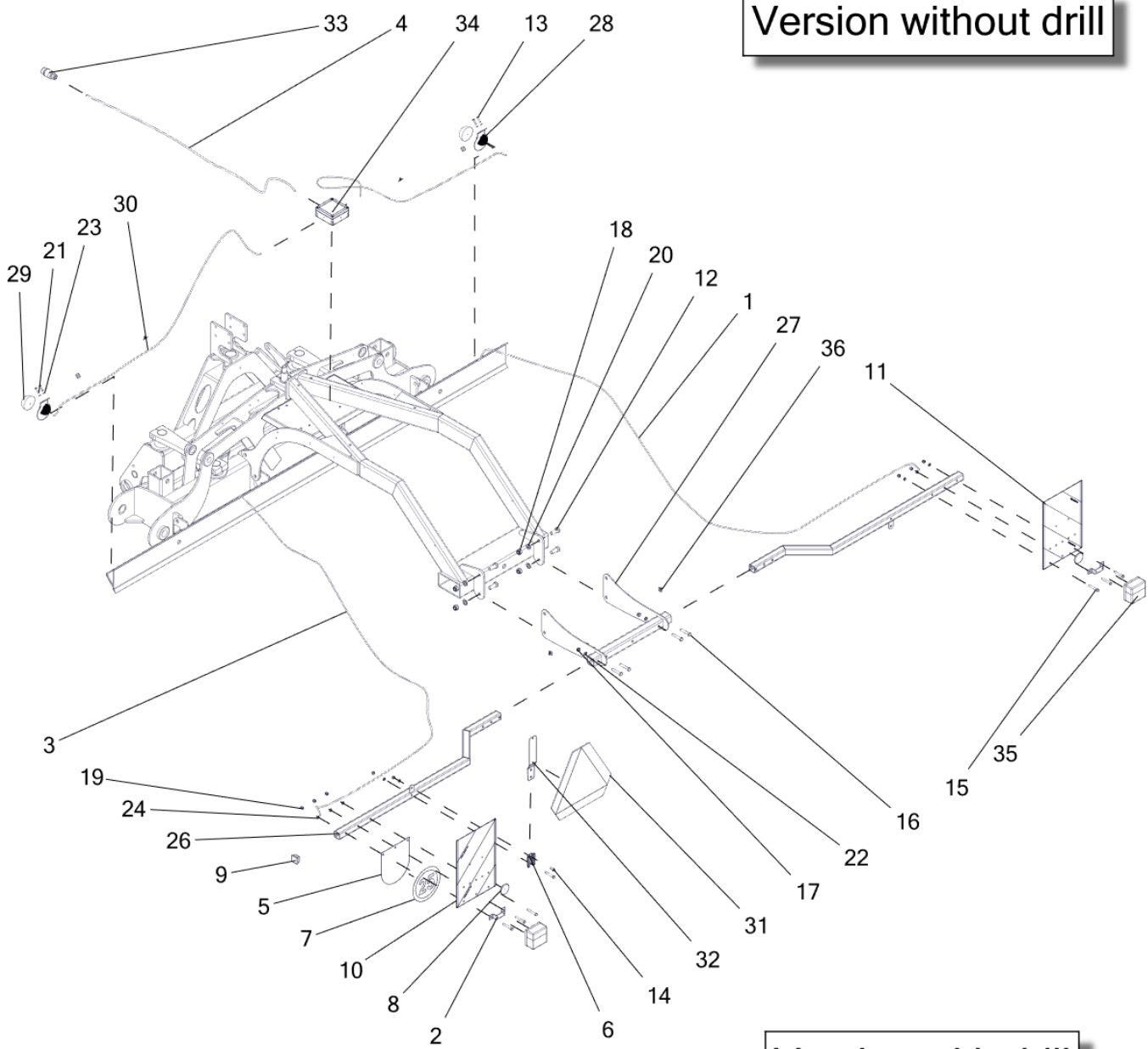
Fig.	Serial no.	Part no.	Quantity	Description	Tab.9.
1		200062664	2	S-EGES8-L R1/4"-WD-SV M14x1,5-ST-ZN	
2		300000867	11	Elbow fitting	
3		300004562	8	Hydraulic bolt 3/8"	
5		300007876	1	Hydraulic CYL 80/40-400	
6		300008058	2	Main fold cylinder pinbolt VCO-I 9m 2014	
7		300037400	10	T-fitting	
8		300304032	1	Bolt M10x25 8.8 FZB DIN933	
9		300304053	2	Bolt M12x120 8.8 FZB DIN931	
10		300316021	2	Lock nut M12 cl.8 FZB DIN985	
11		300316023	2	Lock nut M16 cl.8 FZB DIN985	
12		300316026	4	Lock nut M6 cl.8 FZB DIN934	
13		300316063	8	Nut M24x1,5 cl.6 FZB DIN937	
14		300332008	2	Washer M12 FZB DIN126	
15		300332009	2	Washer M16 FZB DIN126	
16		300332027	1	Washer M10 FZB DIN126	
17		300332035	8	Washer M24 FE/ZN5 DIN126	
18		300332038	4	Washer M6 FZB DIN126	
19		300421009	2	Greasing nipple M10x1	
20		303010032	2	Main fold cylinder pin VCO-I 9m 2014	
21		303010044	1	Outer fold cylinder pinbolt VCO-I 9m 2014	
22		303010080	2	Outer fold cylinder pin VCO-I 9m 2014	
23		303011125	1	Pin	
24		303011147	1	Hose holder	
25		303020183	1	Cover	
26		303021280	1	Spacer	
27		330110005	3	Hydraulic cylinder 40/25 s100	
28		330120007	4	Hydr. hose 3/8" M18x1,5-0°-N / M18x1,5-90°-N L=750-GP	
29		330120025	5	Hydraulic hose 3,8" M18x1,5-90° / M18x1,5-0° L=1100	
30		330120026	6	Hydraulic hose 3,8" M18x1,5-90° / M18x1,5-0° L=2300	
31		330120046	2	Hydr. hose M14x1,5 90° / M18x1,5 0° L=1100 - VCO-I	
32		330140004	2	Valve VSQAPP 3/8" (170bar)	
33		330140006	3	Ball valve M18x1,5 (RS2-12L)	
34		330150012	2	Long Banjo DIN 2353 L=200 R1250	
35		330150013	6	Extra Long Banjo L=300 R1271	
36		372005164	1	HYDRAULIC HOSE L=1500	
37		600470007	2	Hose clamp 3/8" =100420022	
38		7000406140	2	Dust coupling	
39		7000547435	5	SPLIT t 5,0X35 FZB DIN 94	
40		7000580255	4	BOLT M6x55 A2 DIN931 USE 300304145	
41		7000602850	16	Sealing	
42		71202039800	8	Nut M12-L / UEM NW10L	
43		71202049420	8	SCHNEIDRING DPR12-L/S	
44		71202079060	21	PIPE END	
45		71202079361	5	Dual nut fitting DMO NW 10 HL	
46		7203302030	1	Federbolzen 30x140	
47		7203310007	4	Stifle plate	



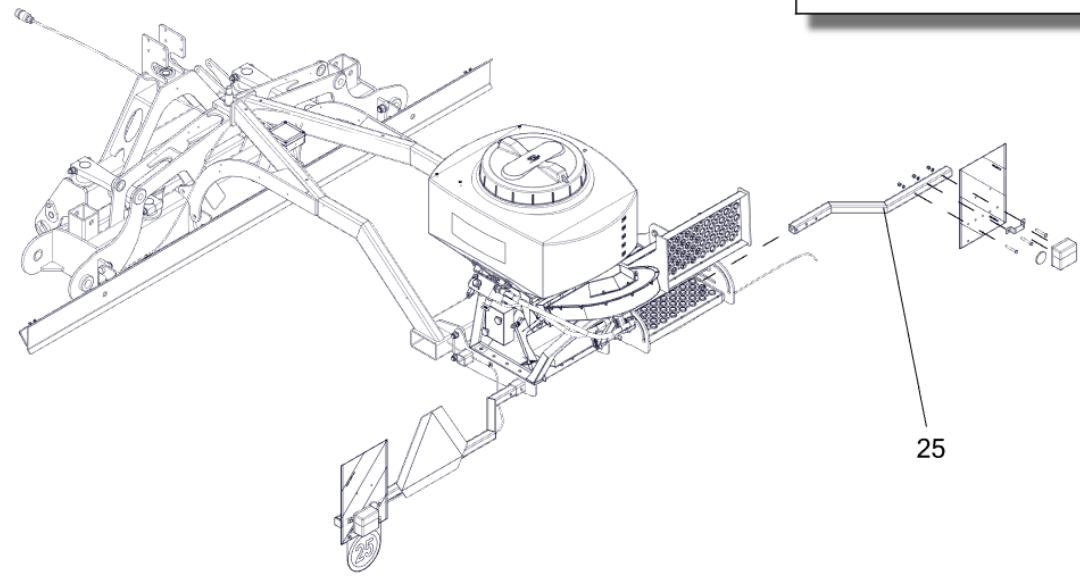




Version without drill

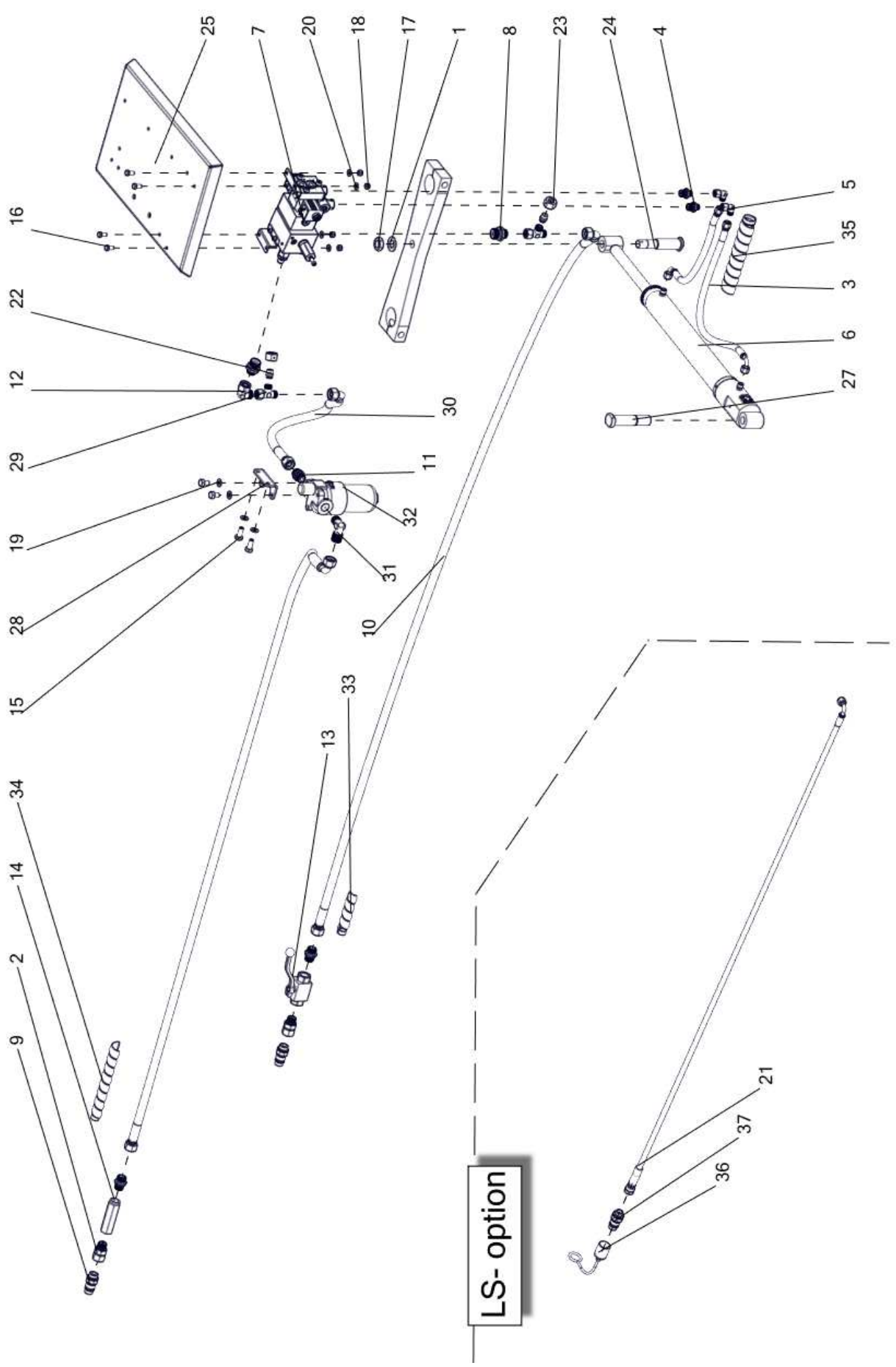


Version with drill



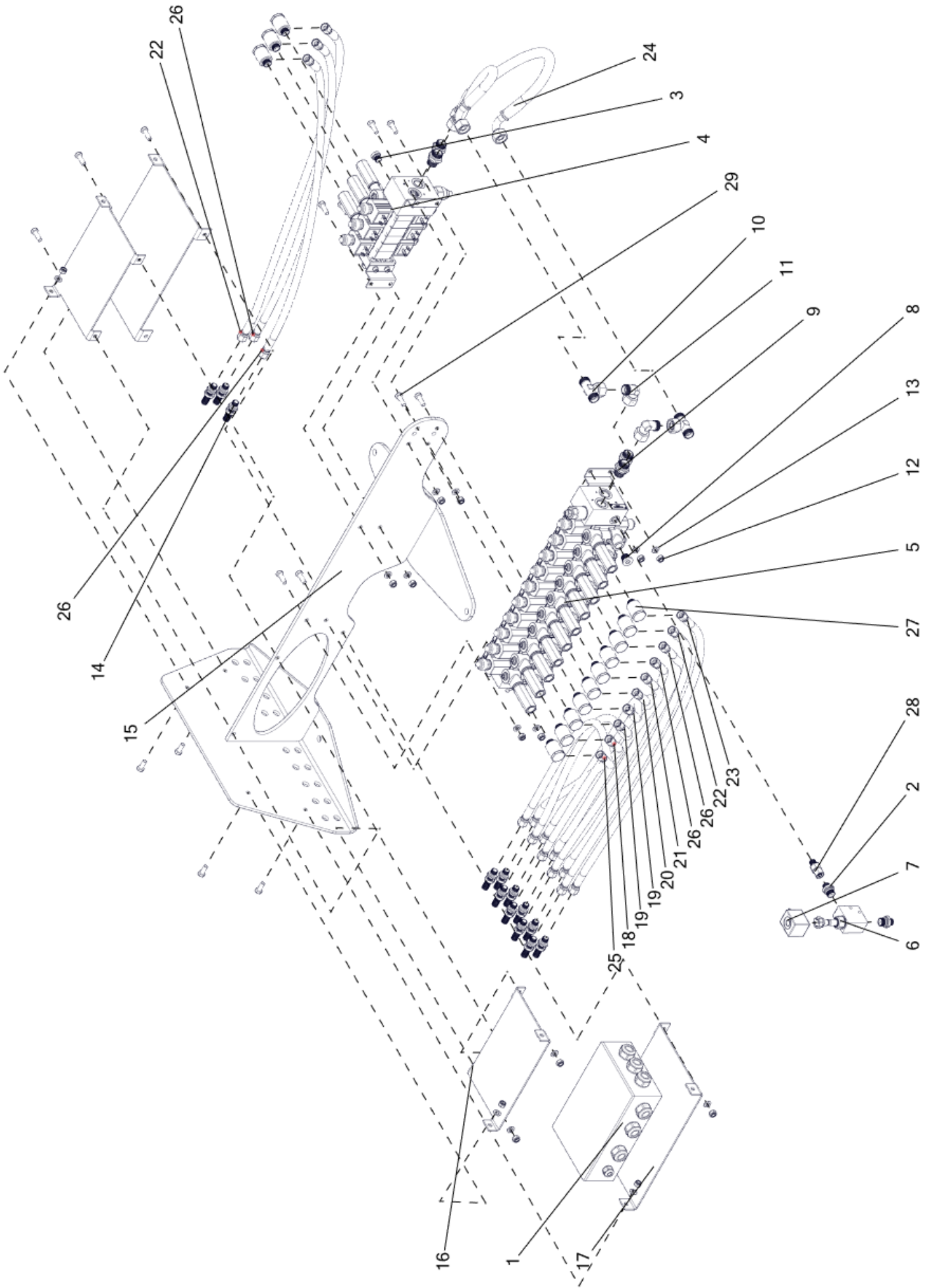
Tab.13.

Fig.	Serial no.	Part no.	Quantity	Description
1		300004249	1	Electric wire 4x0,75 L=3,2m VM 3000
2		300004569	2	Electric wire 7x0,75 L=4m
3		300006069	1	Board under the sticker
4		300007727	1	Bracket Whiteboard-painted
5		300008272	1	Sticker-speed limit of 25 km / h
6		300008276	1	Red reflector adhesive fi60
7		300008277	1	Insert
8		300008284	2	Tablica 282x423 lewa
9		300082634	2	Board 282x423 right
10		300167700	1	BOLT M16x40 8.8 FZB DIN933
11		300167800	1	Bolt M6x16 8.8 FZB DIN933
12		300304092	4	Bolt M8x20 8.8 FZB DIN933
13		300304139	4	Bolt M8x60 cl.8.8 DIN931
14		300304153	1	Bolt M10x60 8.8 FZB DIN931
15		300304162	7	Bolt M8x60 cl.8.8 DIN931
16		300304197	4	Lock nut M16 cl.8 FZB DIN985
17		300316020	4	Lock nut M8 cl.8 FZB DIN985
18		300316023	4	Washer M16 FZB DIN126
19		300316027	8	Spring washer M6 FZB DIN127B
20		300332009	4	Washer M10 FZB DIN126
21		300332020	4	Washer M6 FZB DIN126
22		300332027	4	Washer M8 FZB DIN126
23		300332038	4	Light arm short
24		300332039	8	Light arm long
25		303010056	1	Light platform
26		303010057	2	Lamp plate
27		303010060	1	Lamp Type WE92
28		303021270	2	Electric wire 2 lines
29		303021277	2	SLOW MOVING SING
30		370002926	2	SPADE
31		601140055	1	7-pin trailer connector (male) ISO 1724
32		601140180	1	Electric box-plastic, Agro Tram 2100
33		7000018142	1	Rear lamp
34		7000603072	1	Electric wires holder with glue
35		7000603318	2	Rear lamp
36		7000603330	6	Electric wires holder with glue



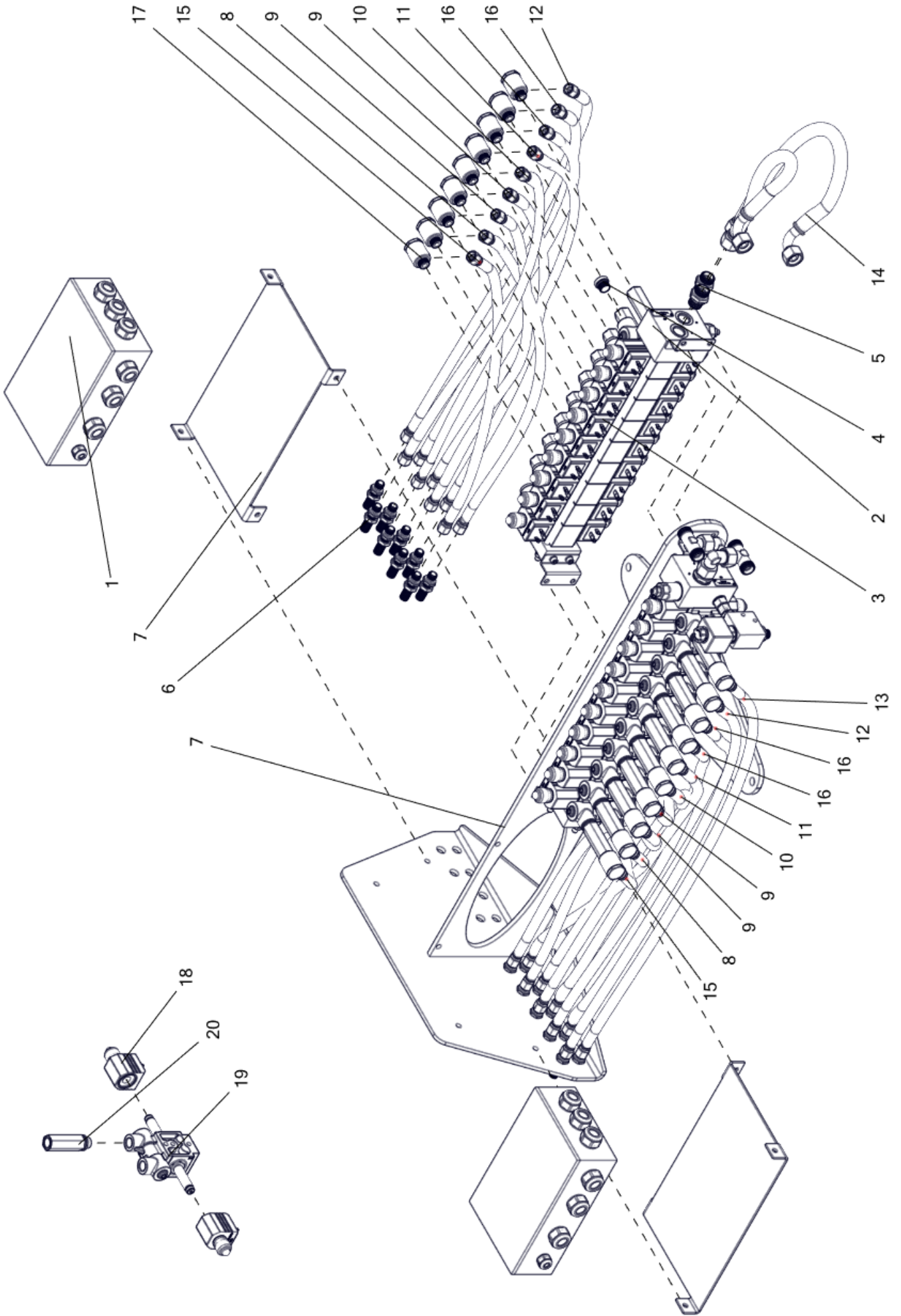
Tab.14.

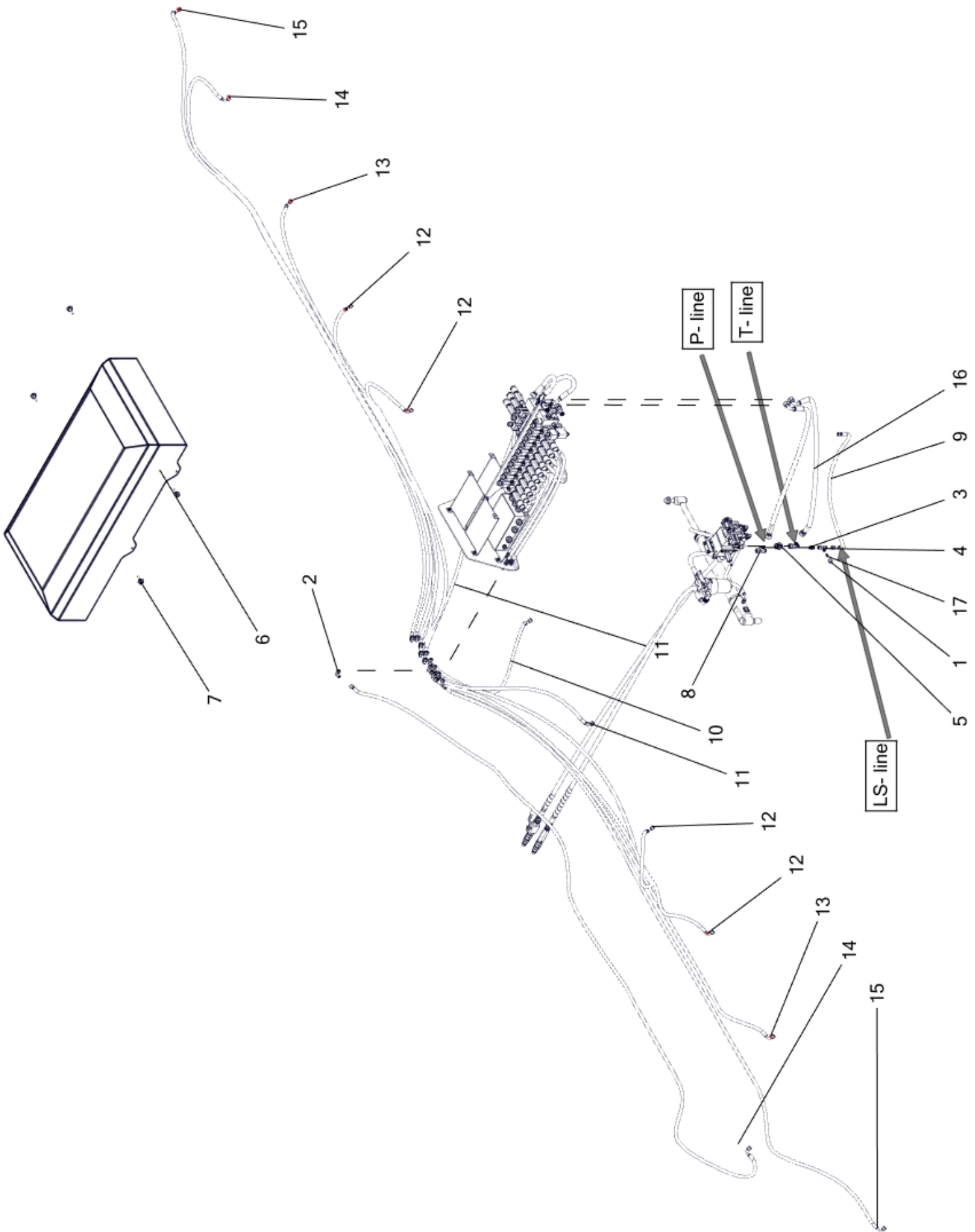
Fig.	Serial no.	Part no.	Quantity	Description
1		100331009	1	Washer M20 NOW 300332034
2		300007688	2	"Fitting with nut 1/2"/M22x1,5 (TN426-15LR)"
3		300007693	2	Hose L=1000 L M14x1,5
4		300007695	2	Coupling 3/8"/M14x1,5
5		300007696	2	Angle adjustable
6		300007981	1	Hydraulic cylinder SMT1K50.25.380-00
7		300008255	1	Hydraulic block to slide frame
8		300008319	2	"Adapter 3/4"/M22x1,5 (TN92GG-15LR 3/4)"
9		300008320	2	Coupling M22x1,5
10		300008321	2	Hydraulic hose M22x1,5 90° / M22x1,5 0° L=2500 - VCO-I
11		300008369	3	"Adapter 1/2"/M22x1,5 (TN 92GG -15LR)"
12		300008371	1	"Adjustable elbow fitting M22x1,5 (TN 419-15L)"
13		300008386	1	Ball valves 2 ways
14		300008387	1	"Check valves 1/2"
15		300304031	4	Bolt M10x20 8.8 FZB DIN933
16		300304152	4	Bolt M8x16 8.8 FZB DIN933
17		300315010	1	NUT M20x1,5 cl.8 FZB DIN934
18		300316027	4	Lock nut M8 cl.8 FZB DIN985
19		300332021	4	Spring washer M10 DIN127B
20		300332039	4	Washer M8 FZB DIN126
21		301044038	1	Hydraulic hose L=450, M14x1,5 90° /M18x1,5
22		301044076	2	Zaslepka TN 324 - 15L
23		301044077	2	NUT TN 81 - 15L M22x1,5
24		303020054	1	Cylinder front pin
25		303020183	1	Cover
26		303021057	1	Paraellelogram arm
27		303020058	1	Side shift cylinder pin VCO-I 9m 2014
28		303021281	1	Filter plate
29		330020043	2	Asymmetric T fitting M22x1,5 (TN 421-15L)
30		330120019	1	Hydr. hose 1/2" M22x1,5 45° / M22x1,5 0° L=600- VCO-I
31		330130008	1	Elbow fitting with locking nut M22x1,5 (TA 514 R 15L)
32		330170030	1	Hydraulic filter
33		330190023	1	Helix protection red 3/8" L=100mm - GP
34		330190024	1	Helix protection red 3/8" L=200mm - GP
35		330190026	1	Spiral hoses protection HG-32
36		7000600399	1	BESK.HzTTE F.HAN 1/2"RfD
37		7210000125	1	Quick coupling XFV NW 10 HL

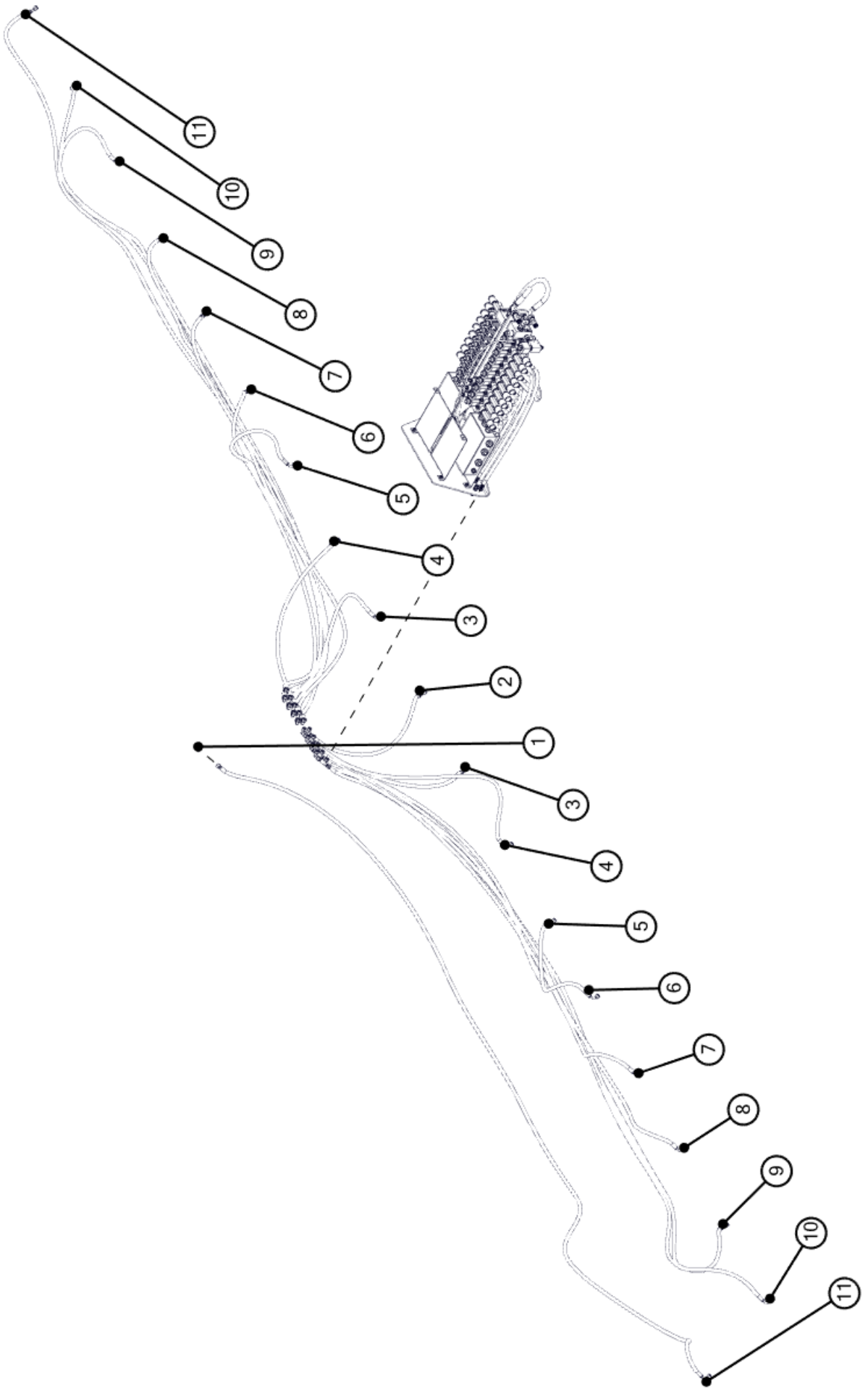


Tab. 15.

Fig.	Serial no.	Part no.	Quantity	Description
1		300007571	1	Control box
2		300007695	2	Coupling 3/8"/M14x1,5
3		300007772	1	"Plug 1/4""(TN 185GG 1/4 R)"
4		300008256	1	Hydraulic block 3 sections
5		300008258	1	Hydraulic block 10 sections
6		300008259	1	Hydraulic block of high pressure
7		300008260	1	Coil For H.P.L.B.
8		300008368	13	"Plug 3/8""(TN 185GG 3/8 R)"
9		300008369	4	"Adapter 1/2""/M22x1,5 ""(TN 92GG -15LR)"
10		300008370	2	"Adjustable T fitting M22x1,5 (""TN 420-15L"")"
11		300008371	2	"Adjustable elbow fitting M22x1,5 (""TN 419-15L"")"
12		300304153	4	Bolt M8x20 8.8 FZB DIN933
13		300304155	11	Bolt M8x25 8.8 FZB DIN933
14		300316027	15	Lock nut M8 cl.8 FZB DIN985
15		300332039	15	Washer M8 FZB DIN126
16		301044091	13	Przylacze TA 102 - 8 L
17		303011126	1	Hydraulic platform
18		303021243	2	Plate bended
19		303021244	2	Plate bended
20		330120027	1	Hydr. hose 1/4" M14x1,5-0°-N / M14x1,5-0°-N L=600
21		330120028	2	Hydr. hose 1/4" M14x1,5-0°-N / M14x1,5-0°-N L=650
22		330120029	1	Hydr. hose 1/4" M14x1,5-0°-N / M14x1,5-0°-N L=700
23		330120030	1	Hydr. hose 1/4" M14x1,5-0°-N / M14x1,5-0°-N L=750
24		330120031	2	Hydr. hose 1/4" M14x1,5-0°-N / M14x1,5-0°-N L=850
25		330120032	1	Hydr. hose 1/4" M14x1,5-0°-N / M14x1,5-0°-N L=900
26		330120044	2	Hydr. hose 1/2" M22x1,5-0°-N / M22x1,5-90°-N L=400
27		330120047	1	Hydr. hose 1/4" M14x1,5-0°-N / M18x1,5-0°-N L=550
28		330120048	4	Hydraulic hose 1/4" M14x1,5-0°-N / M18x1,5-0°-N
29		7000405785	1	SCREWED CONNECTION
30		7000405785	12	SCREWED CONNECTION
31		7000603469	1	R?RSTUDS ?08X1/4 BSP VA08RLNV







Vision system



1



2



3



4



5



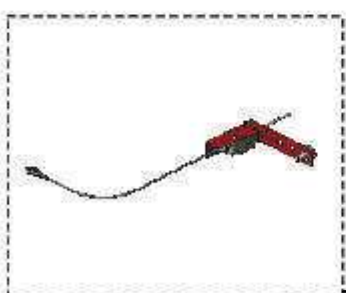
6



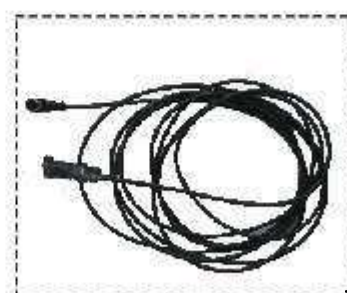
7



8



9

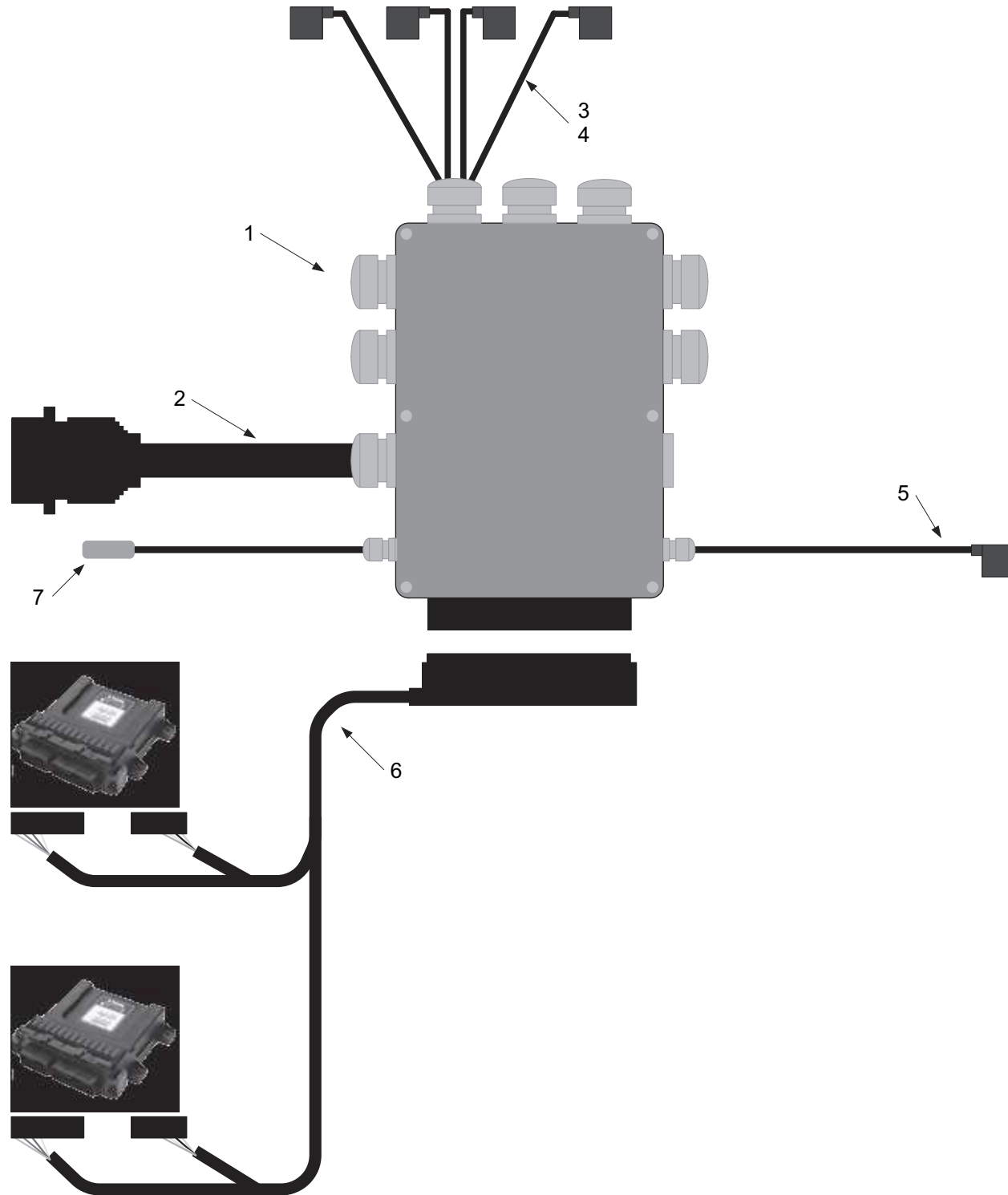


10

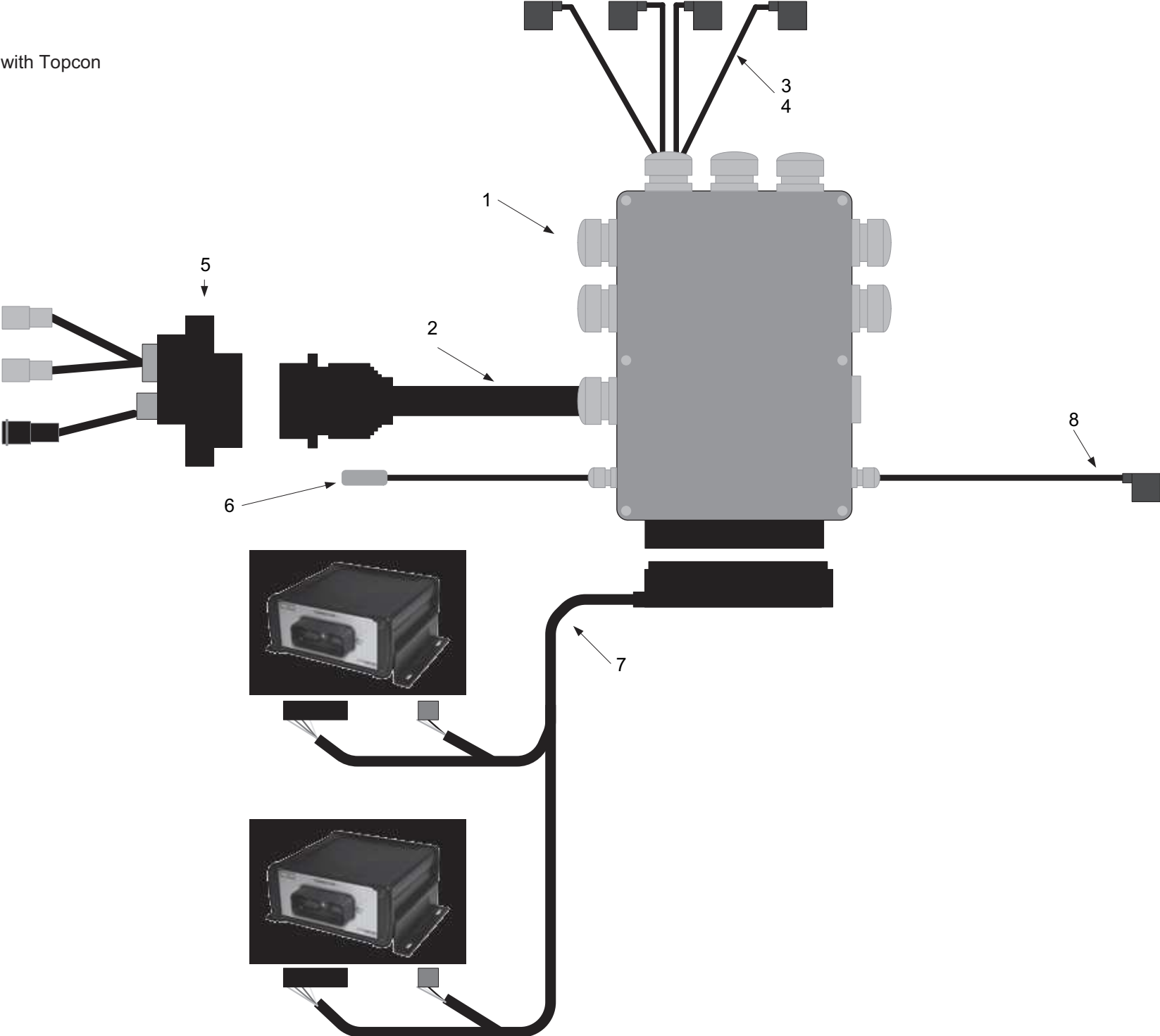


11

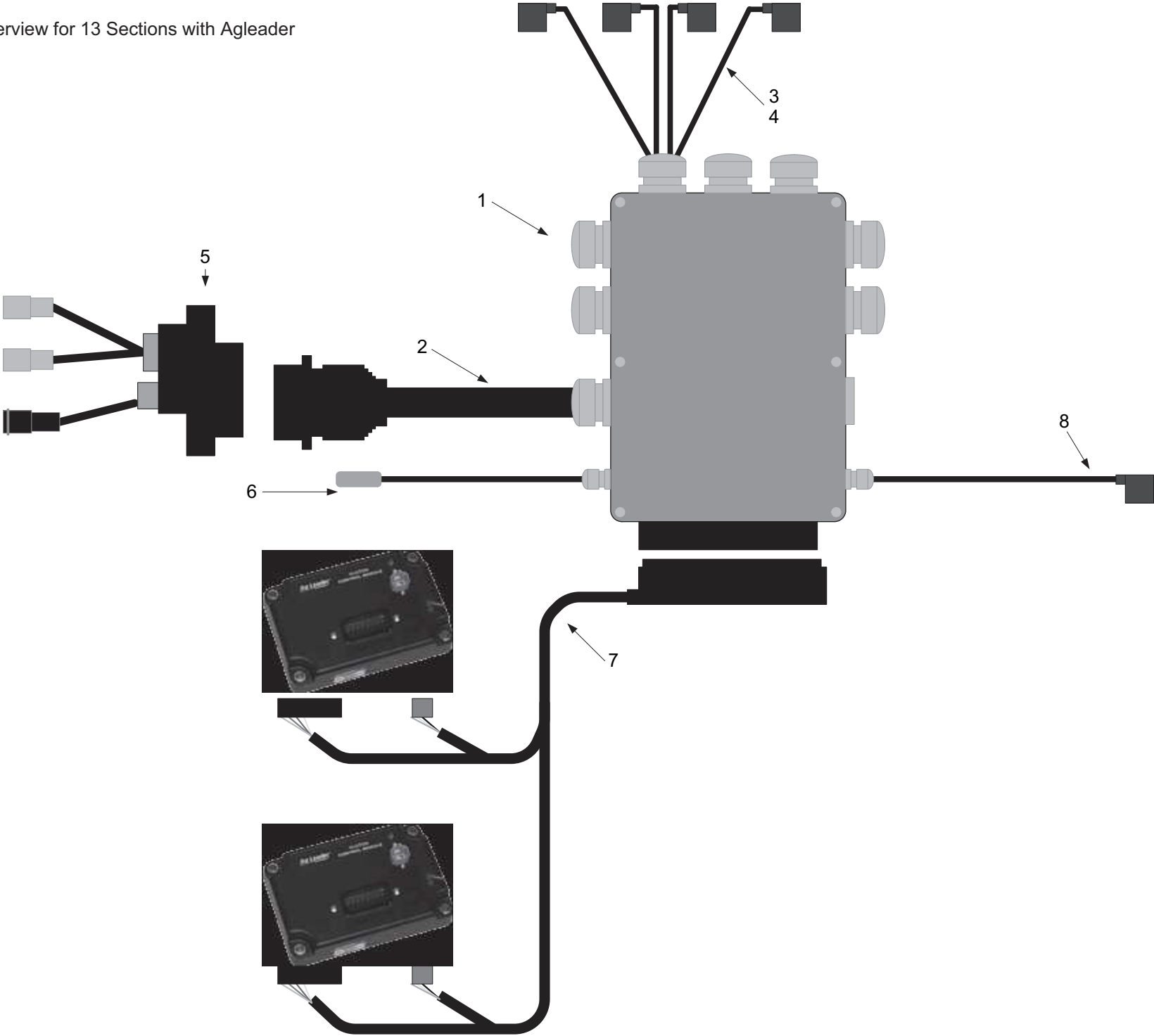
System overview for 13 Sections with Trimble.



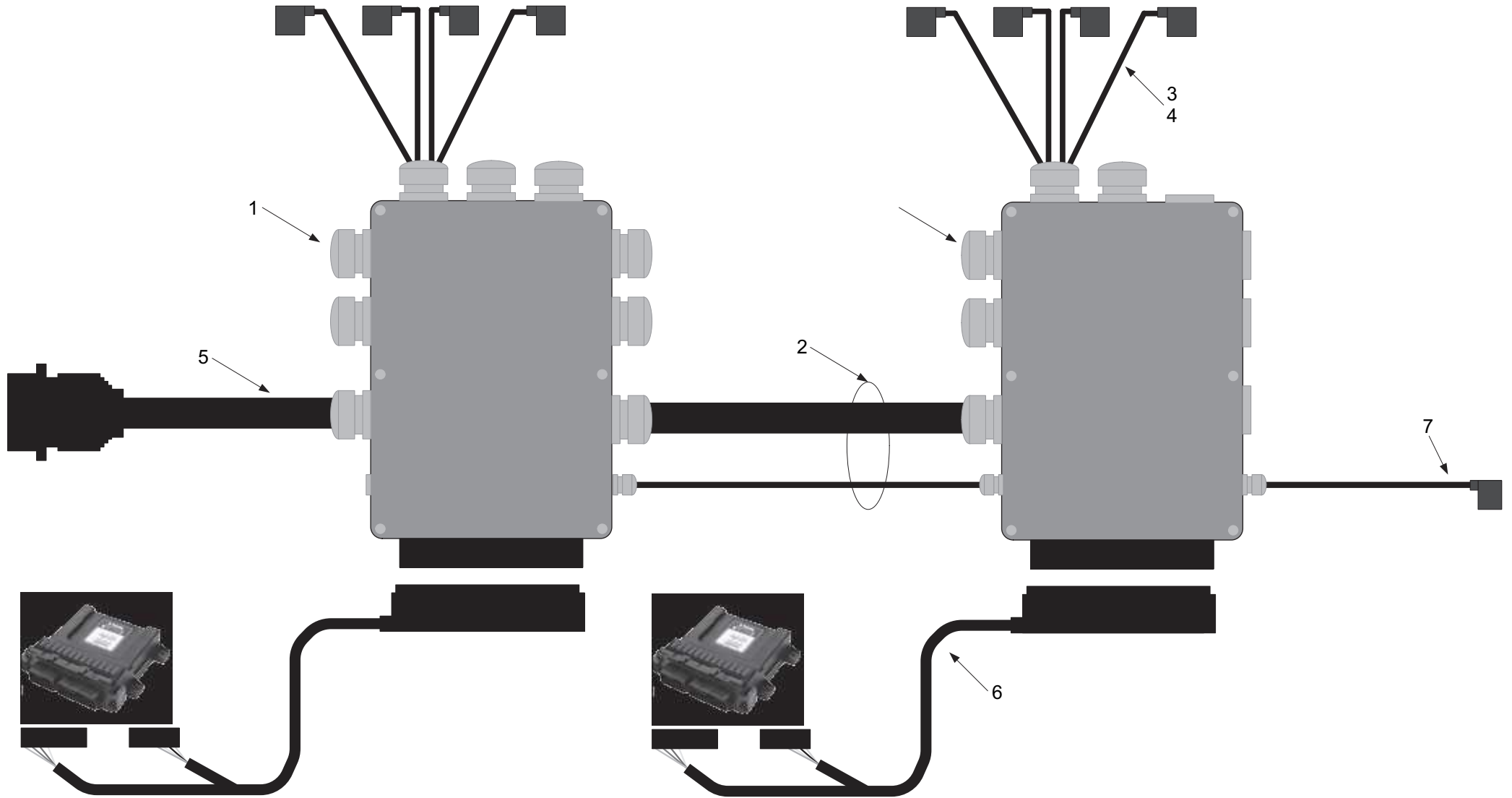
System overview for 13 Sections with Topcon



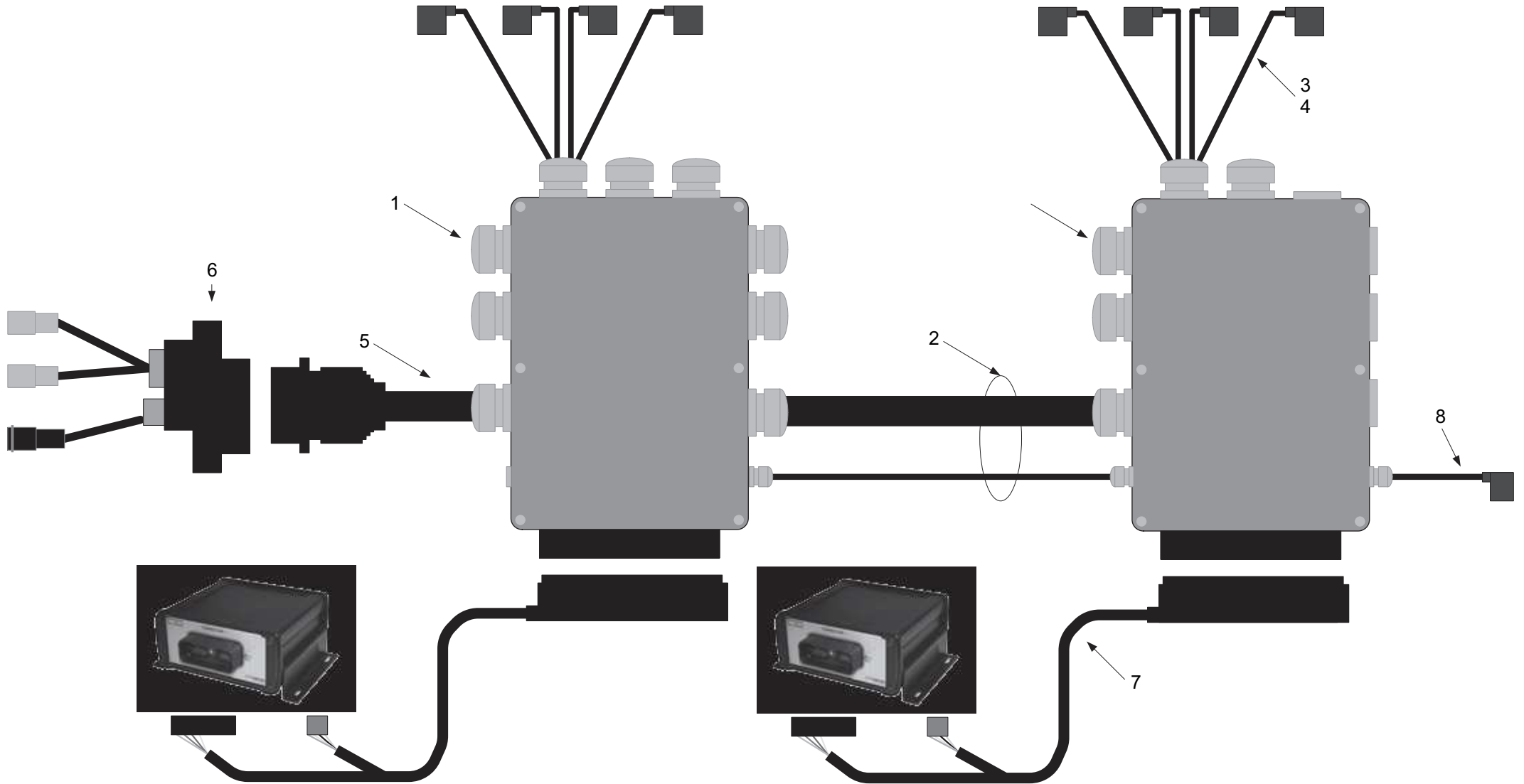
System overview for 13 Sections with Agleader



System overview for 19 Sections with Trimble.



System overview for 19 Sections with Topcon.



System overview for 19 Sections with Agleader.

