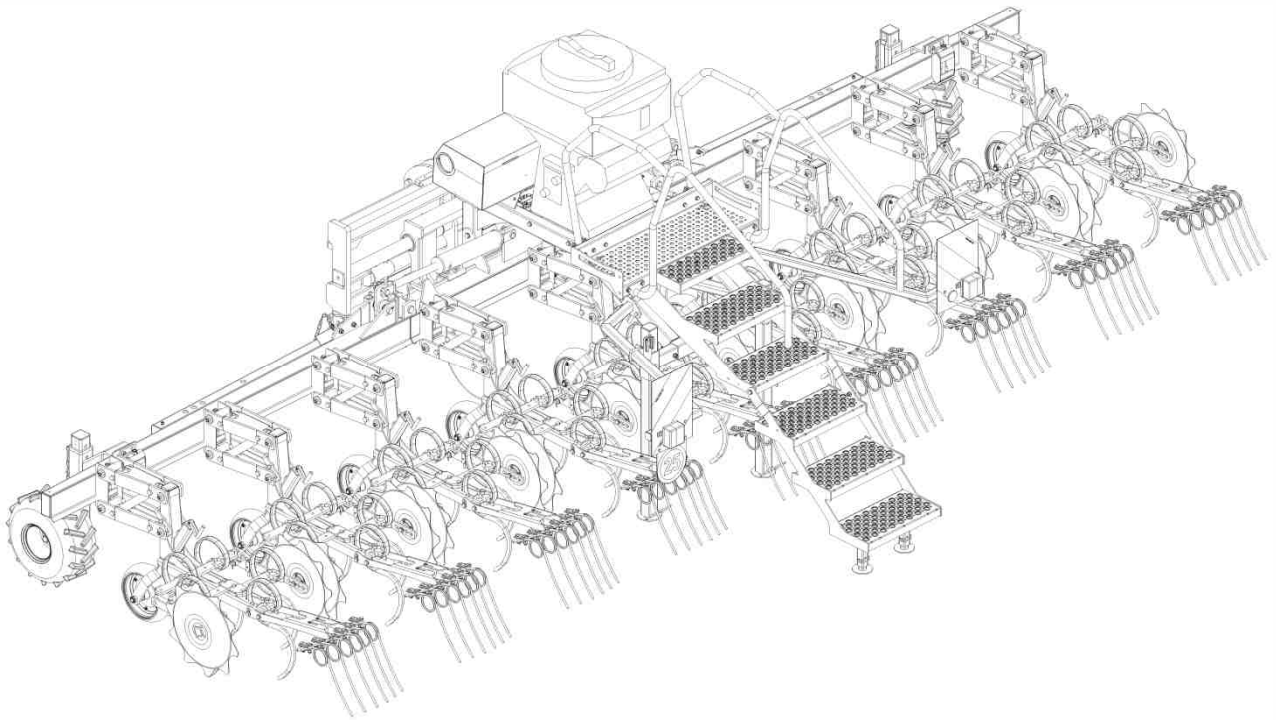


Vibro Crop Intelli 6m



Tab.1

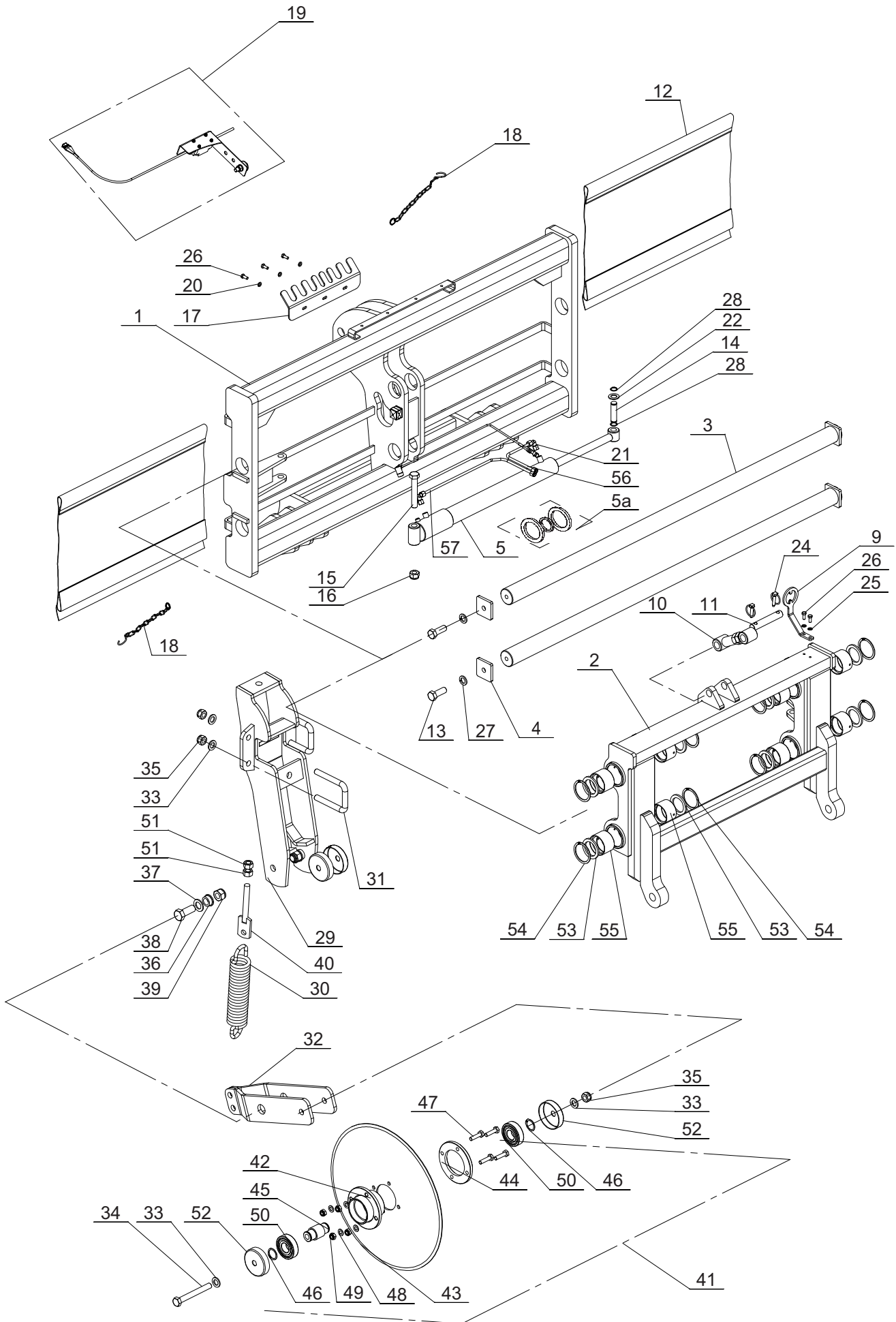
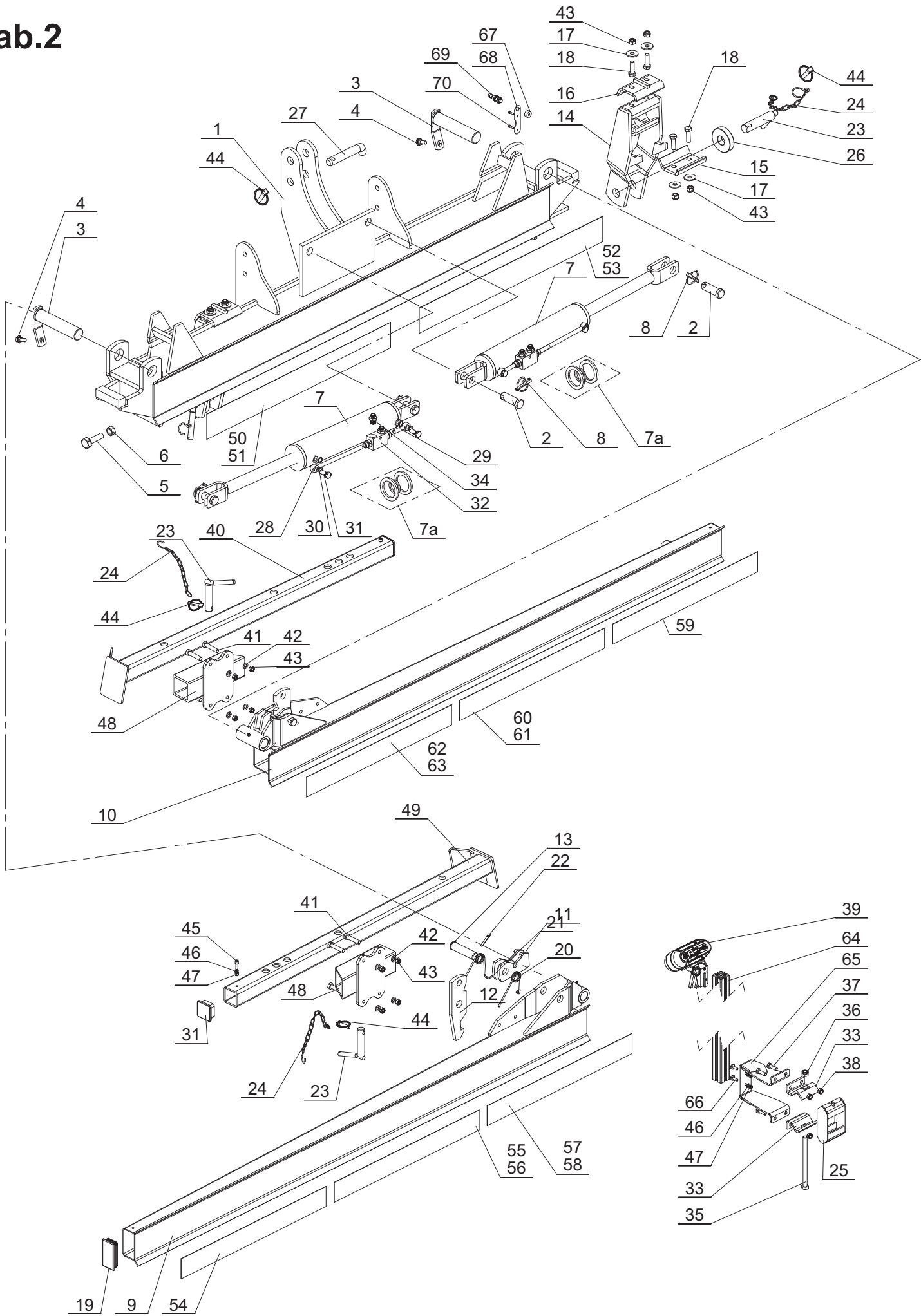


Fig.	Serial no.	Part no.	Quantity	Description	Tab.1
1		300008322	1	Fixed frame	
2		300008323	1	Shift frame	
3		300008324	2	Guiding rod	
4		300008330	2	Locking plate	
5		300008266	1	Shift cylinder	
5a		300008267	1	Sealing kit	
6		300008328	2	Pin category II-III	
7		300008327	1	Top pin category II	
8		300008326	1	Top pin category III	
9		300008331	1	Marking plate	
10		300007739	1	Top link	
11		300008329	1	Pin	
12		300008301	2	Protective tarpaulin	
13		300304107	2	Bolt M24x55 8.8 ISO 4017	
14		300008332	1	Cylinder pin	
15		300304111	1	Bolt M20x120 10.9 ISO 4014	
16		300316016	1	Nut M20 ISO 10511	
17		330020094	1	Holder for hydraulic plugs	
18		71000180109	4	Galvanized chain	
19		330290001	1	Implement sensor with bracket	
20		300332039	3	washer M8 ISO 7091	
21		330130008	2	Elbow Fitting	
22		300332034	1	Washer M20 ISO 7091	
23		330290001	1	Implement sensor with bracket	
24		7000226328	6	Linch Pin	
25		7000583508	2	Spring washer M8 DIN 127	
26		300304153	5	Bolt M8x20 ISO 4017	
27		300332024	2	Washer M20 DIN127B	
28		100407011	2	External circlip DIN 471-20x1,2	
29		300398800	1	Disc bracket-welded	
30		101019349	1	Spring	
31		300008335	2	U-bolt M16	
32		300398700	1	Arm welded - stabilizing disc	
33		300332009	6	Washer M16 ISO 7091	
34		300304088	1	Bolt M16x130 8.8 ISO 4014	
35		300316023	5	Nut M16 ISO 10511	
36		300008341	2	Bush	
37		300332034	2	Washer M20 ISO 7091	
38		300304106	2	Bolt M24x50 8.8 ISO 4017	
39		300316016	2	Nut M20 ISO 10511	
40		101019350	1	Spring bracket	
41		300399200	1	Stabilizing disc complete	
42		300399100	1	Hub	
43		300008343	1	Disc	
44		300008347	1	Flange hub-painted	
45		300008346	1	Axel of disc	
46		300407011	2	External circlip DIN 471	
47		300304036	4	Bolt M10x40 8.8 ISO 4014	
48		300332027	4	Washer M10 ISO 7091	
49		300316020	4	Nut M10 ISO 10511	
50		300401052	2	Bearing 6306 2RS1	
51		71307216010	2	Nut M16 ISO 4032	
52		300008288	2	Hub cap	
53		300007738	8	Stripper	
54		300008233	8	Internal clip DIN472	
55		300008325	8	Bronze bearing	
56		330020150	1	Hydraulic pipe M14x1,5	
57		330020140	1	Hydraulic pipe M14x1,5	

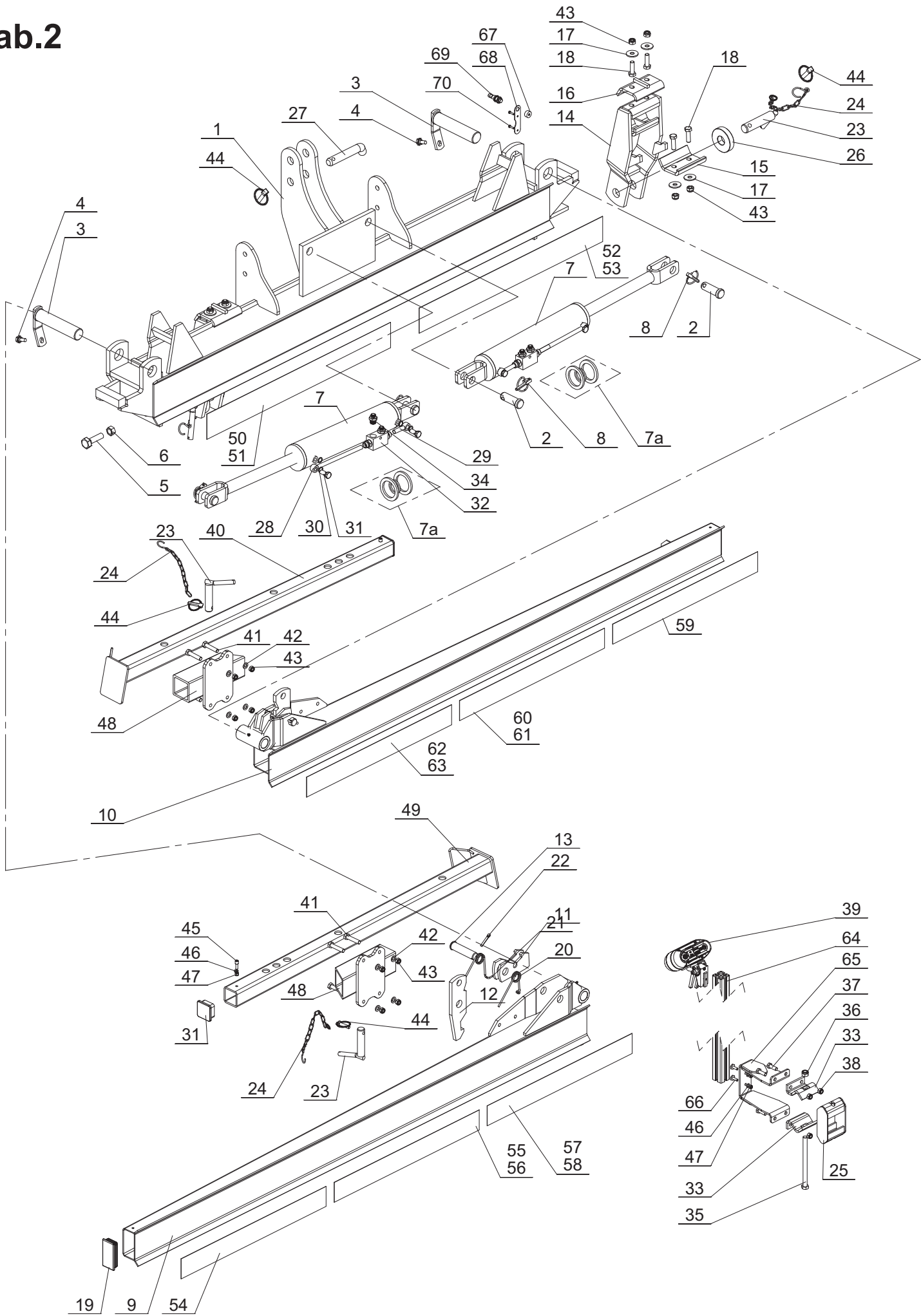
Tab.2



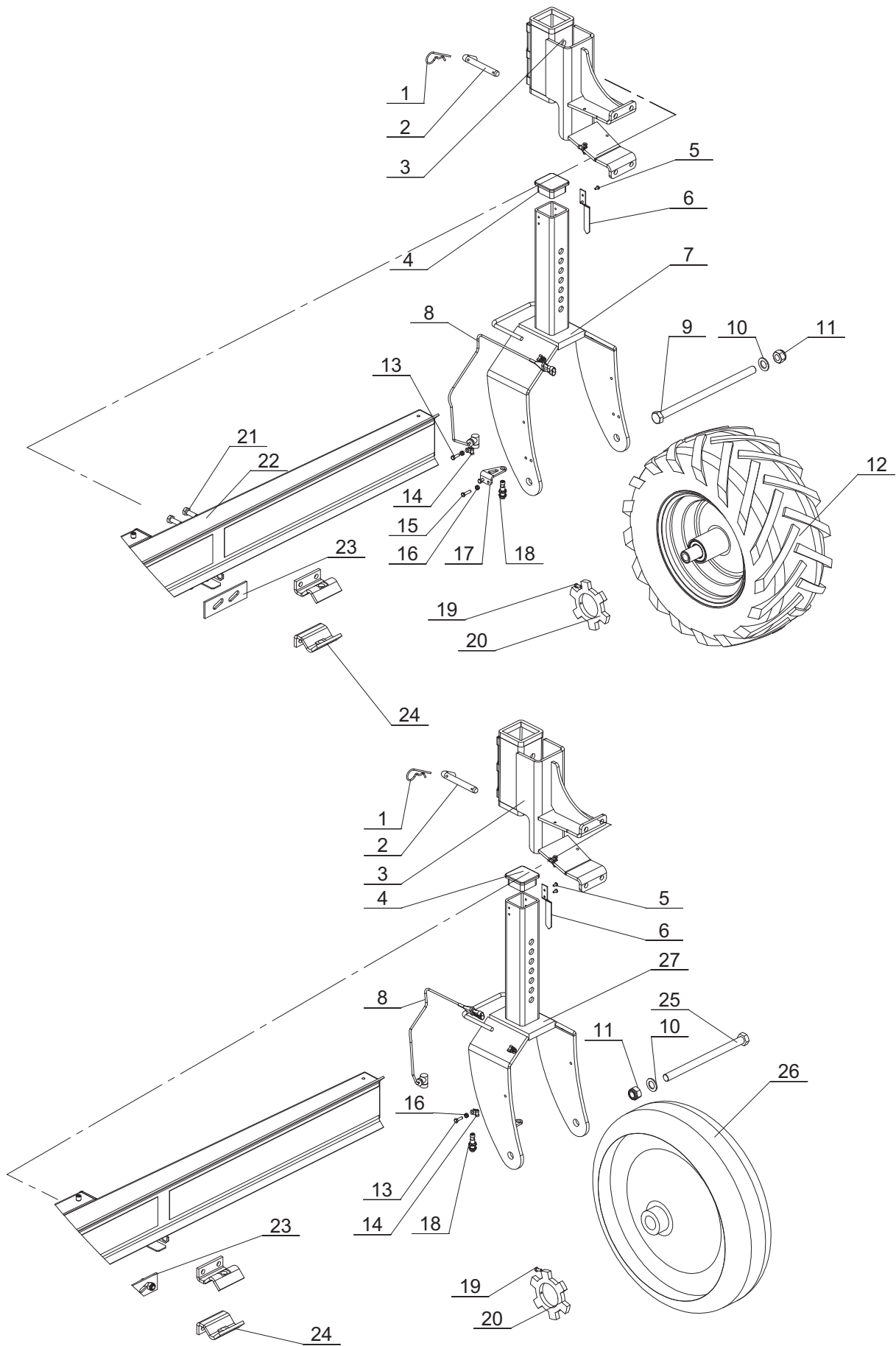
Tab.2

Fig.	Serial no.	Part no.	Quantity	Description
1		300360600	1	Central Frame VCO, 1.7M
2		101000786	4	Pin 24x78
3		101017117	2	Pin
4		300304055	2	Bolt M12x25 8.8 FZB ISO 4017
5		100306066	2	Bolt M20x60 8.8 FZB ISO 4017
6		300315009	2	Nut M20 ISO 4032
7		101000456	2	Hydraulic cylinder
7a		101000797	2	Sealing kit
8		100333014	4	Linch pin 8x40
9		300392300	1	VBTF WING, 2.5M, LEFT
10		300392200	1	VBTF WING, 2.5M, RIGHT
11		101017081	2	Trigger
12		101017080	2	Trigger
13		101017979	2	Pin 30x125
14		101016277	2	Bracket
15		101017248	2	Bottom holder
16		101017252	2	Upper holder
17		300332008	8	Washer M12 ISO 7089
18		300304058	8	Bolt M12 x 40 8.8 ISO 4017
19		300007971	2	Cap
20		101017044	2	Spring
21		101017045	2	Spring
22		100333008	2	Split pin 8x40
23		101000842	4	Pin
24		71000180109	4	Chain
25		300362800	1	Camera bracket
26		330020012	2	Spacer
27		105000388	1	Top link pin
28		330020092	2	Long Banjo 1/4" L=205
29		330020093	2	Long Banjo 1/4" L=112
30		100413042	8	Copper washer 1/4"
31		330020091	4	Holed screw 1/4"
32		7210000119	2	Hydraulic lock
33		300007523	2	Clamp
34		300007695	4	Adapter
35		200215449	1	Bolt M16x220 8.8 FZB ISO 4014
36		300316023	1	Nut M16 ISO 10511
37		300304057	4	Bolt M12 x 35 8.8 FZB ISO 4017
38		300315003	4	Nut M12 ISO 4032
39		330250002	1	Camera MK4
40		300391700	1	Front parking leg - left
41		300304059	8	Bolt M12 x 35 8.8 ISO 4017
42		300332008	16	Washer M12 ISO 7089
43		300316021	16	Nut M12 ISO 10511
44		300323046	3	Linch pin 11x45
45		7000521527	2	Bolt M8x25 8.8 FZB ISO 4762
46		300332039	4	Washer M8 FZB ISO 7089
47		300316027	4	Nut M8 ISO 10511
48		300391600	2	Front leg holder
49		300391700	1	Front parking leg - left
50		101017133	1	Label row width 45-55 cm
51		101017402	1	Label row width 55-80 cm
52		101017132	1	Label row width 45-55 cm
53		101017401	1	Label row width 55-80 cm
54		101017139	1	Label row width 45-55 cm
55		101017137	1	Label row width 45-55 cm
56		101017447	1	Label row width 55-80 cm
57		101017135	1	Label row width 45-55 cm
58		101017404	1	Label row width 55-80 cm
59		101017138	1	Label row width 45-55 cm
60		101017136	1	Label row width 45-55 cm
61		101017446	1	Label row width 55-80 cm
62		101017134	1	Label row width 45-55 cm
63		101017403	1	Label row width 55-80 cm
64		330020098	1	Aluminium profile 1000mm

Tab.2



Tab.3



Tab.4

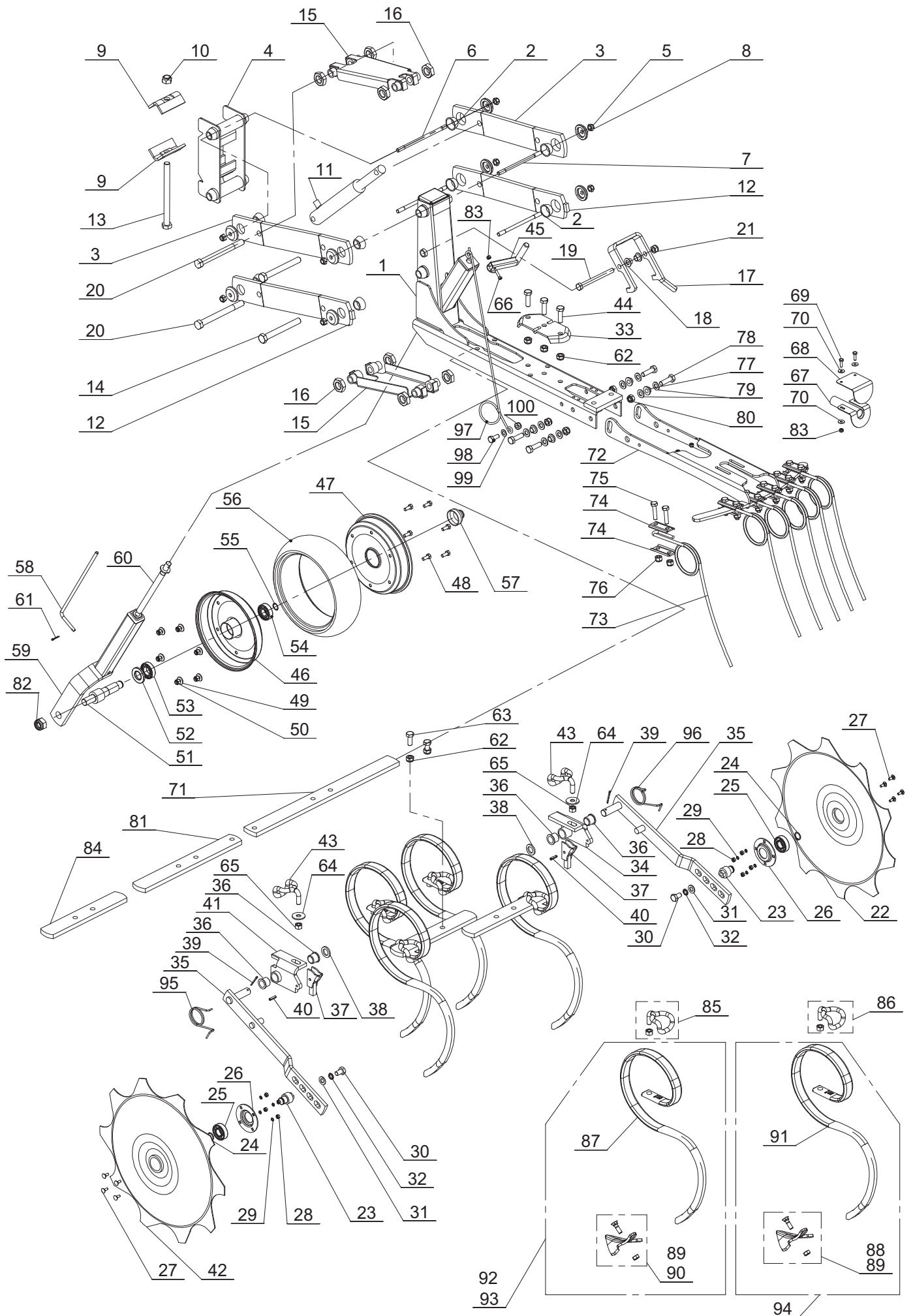
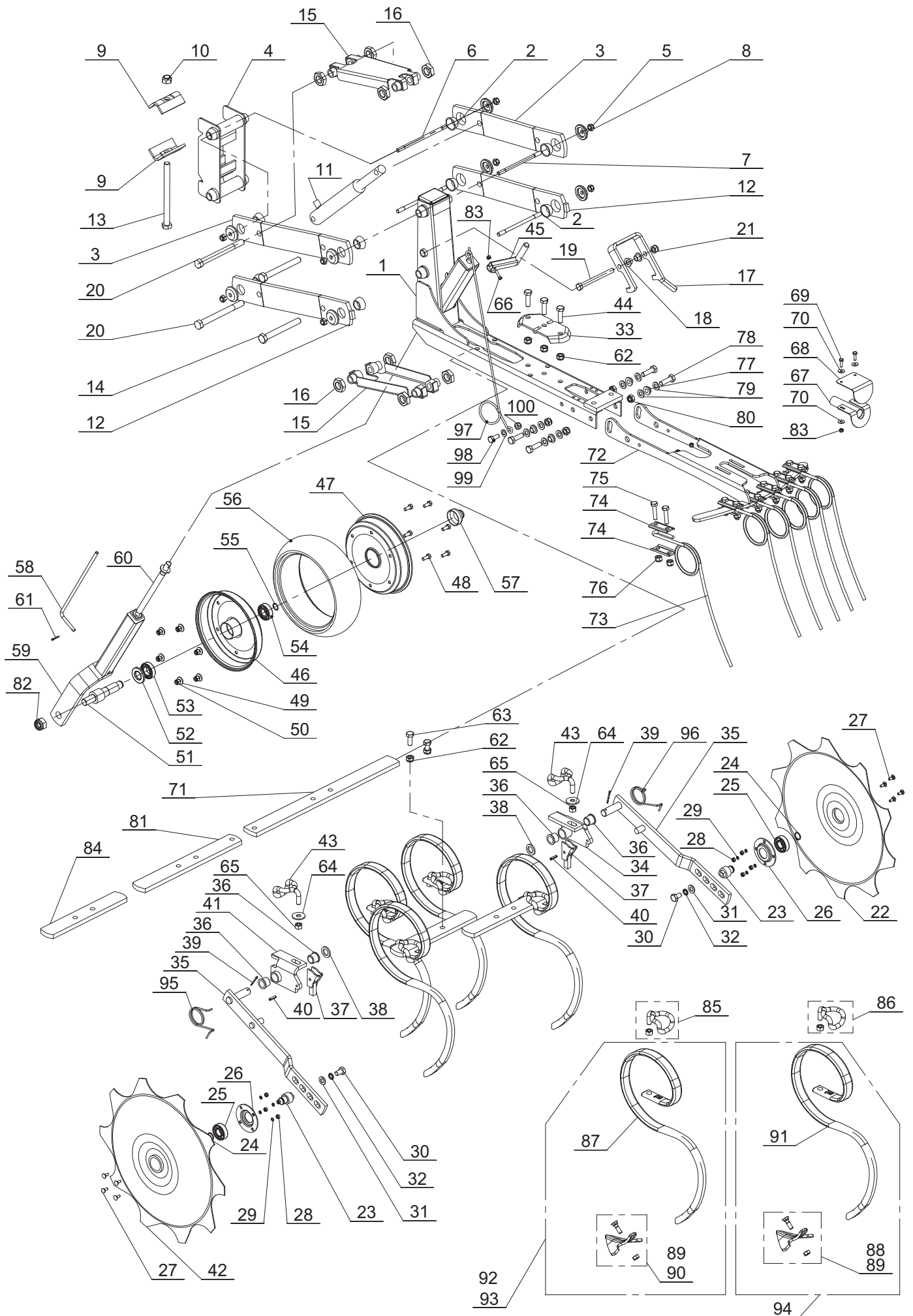


Fig.	Serial no.	Part no.	Quantity	Description	Tab.4
1		300007463	1	Parallelogram frame	
2		101017502	8	Conical bush	
3		300007666	2	Arm parallelogram VCO	
4		300357100	1	Section bracket	
5		300007466	8	Washer with undercut	
6		300007481	2	Stud bolt M10x195	
7		300007482	2	Stud bolt M10x170	
8		300316020	8	Nut M10 FZB ISO 10511	
9		300007479	2	Overlay the VCO	
10		300316023	5	Nut M16 ISO 10511	
11		300008240	1	Hydraulic cylinder	
12		300375800	2	Arm parallelogram VCO with lock	
13		100306127	1	Bolt M16x200 8.8 FZB ISO 4014	
14		100306095	2	Bolt M16x140 8.8 ISO 4014	
15		300361501	2	Parallelogram reinforcement	
16		71307124020	8	Nut M24x1,5 DIN936	
17		300007664	1	Lock for working section	
18		100402031	2	Bearing	
19		300304021	1	Bolt M12x130 8.8 FZB ISO4014	
20		300304250	2	Bolt M16x170 8.8 FZB ISO4014	
21		300316021	1	Nut M12 ISO 10511	
22		101016156	1	Rolling shield - right	
23		101016225	2	Disc axle	
24		100407011	2	External circlip DIN 471	
25		300401017	2	Bearing 6204 2RS	
26		101017270	2	Bearing cover	
27		100311000	8	Bolt M6x15 ISO 8677	
28		300315017	8	Nut M6 ISO 4032	
29		100332002	8	Washer M6 FZB DIN 6789 A	
30		300304054	2	Bolt M12x20 8.8 FZB ISO 4017	
31		300332044	2	Washer M12 FZB DIN 9021	
32		100332005	2	Washer M12 FZB DIN 6789 A	
33		101019085	1	Clamp	
34		101016203	1	Holder right	
35		101016205	2	Lever for rolling shield	
36		101017013	4	Bush	
37		101016157	2	Locking pawl	
38		100331009	2	Washer M20	
39		100333009	2	Split pin	
40		300323028	2	Spring pin 6x24 FZB ISO 8752	
41		101016204	1	Holder left	
42		101016155	1	Rolling shield - left	
43		101000813	2	Clamp	
44		300304058	3	Bolt M12x40 8.8 FZB ISO 4017	
45		101016357	1	Crank	
46		100423017	1	Rim part	
47		100423016	1	Rim part	
48		300304152	6	Bolt M8x16 8.8 FZB ISO 4017	
49		7000602447	6	Washer M8 FZB DIN9021	
50		300316027	6	Nut M8 8.8 FZB ISO 10511	
51		100423015	1	Axle	
52		100413014	1	Seal cover Z-005	
53		100401000	1	Bearing 6005	
54		100401007	1	Bearing 6204	
55		100407011	1	External circlip DIN 471	
56		101019111	1	Tyre	
57		101020196	1	Wheel axle cap	
58		101017514	1	Scale	
59		101017510	1	Wheel frame	
60		101017503	1	Wheel spindle	
61		100333001	1	Split pin 3x20 FZB ISO 1234	
62		300316021	5	Nut M12 ISO 10511	
63		300304057	2	Bolt M12 x 35 8.8 FZB ISO 4017	
64		300332008	2	Washer M12 FZB ISO 7089	

Tab.4



Tab. 5

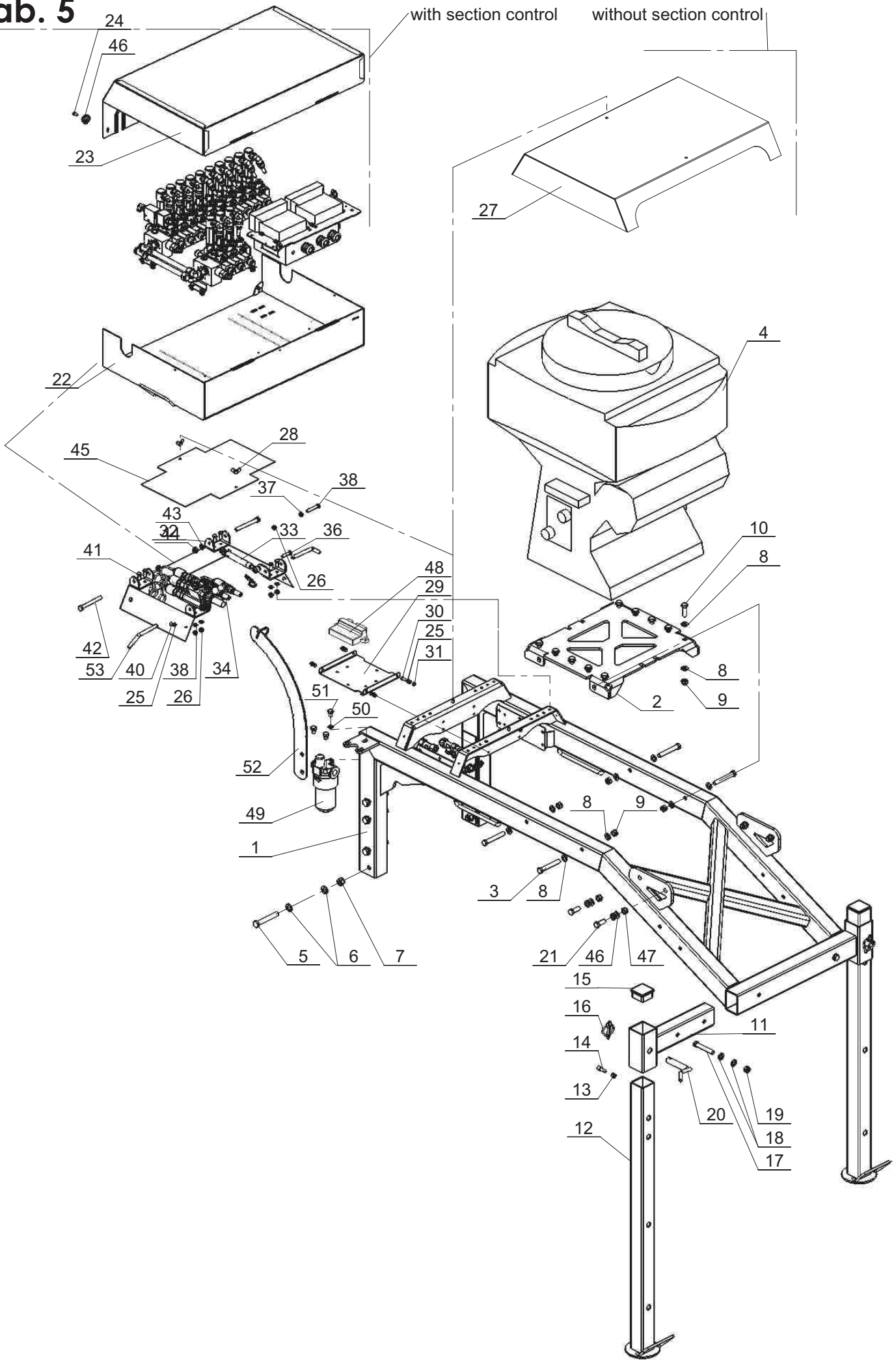
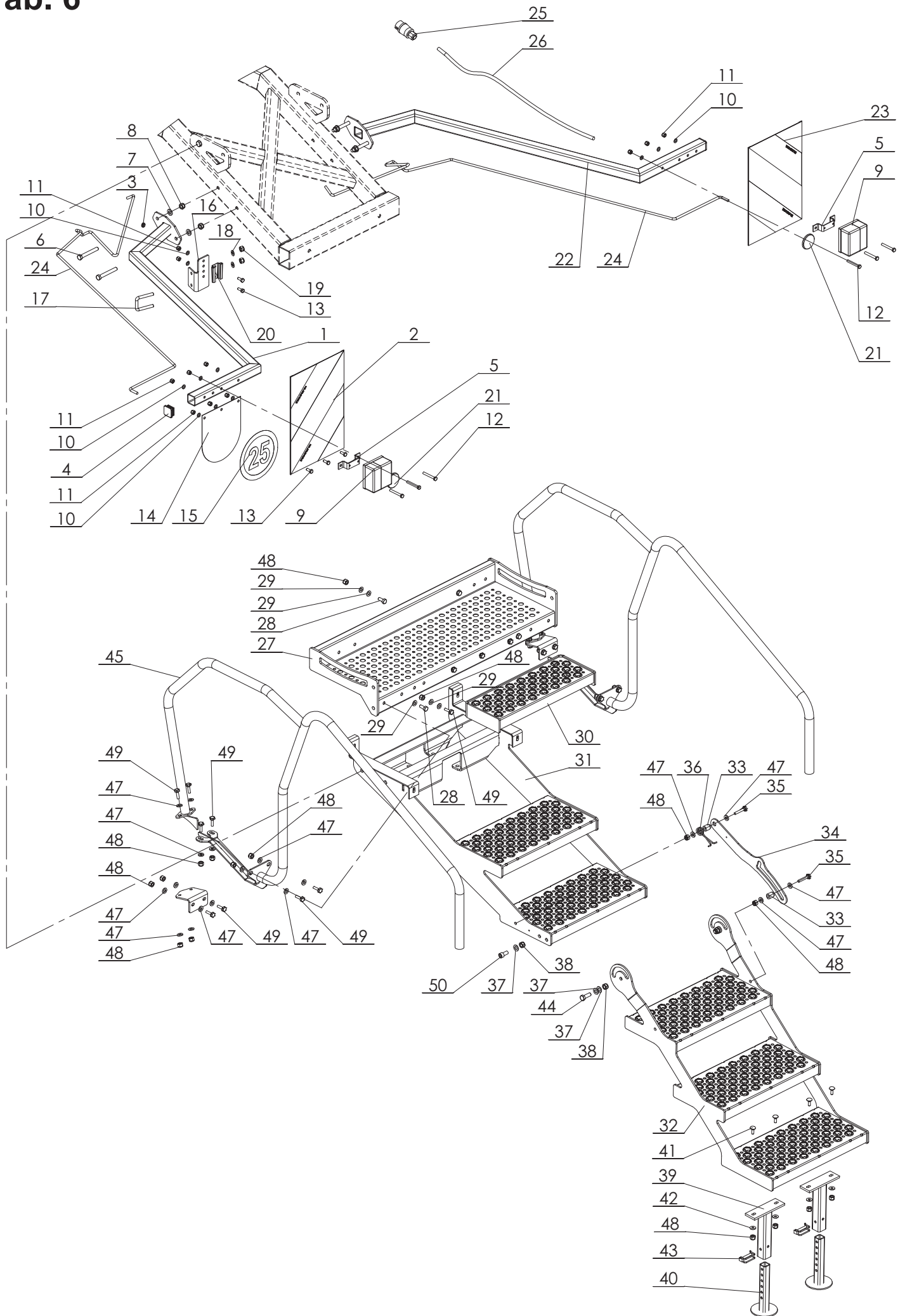


Fig.	Serial no.	Part no.	Quantity	Description	Tab.5
1		330020320	1	Platform welded	
2		372007098	1	Link	
3		300304021	4	Bolt M12x130 8.8 FZB ISO 4014	
4		372350900	1	Pneumatic drill PS 120 M1 control box 3.2	
5		71301614105	8	Bolt M14x100 8.8 FZB ISO 4014	
6		300332032	16	Washer M14 ISO 7091	
7		300316031	18	Nut M14 ISO 10511	
8		300332008	28	Washer M12 FZB ISO 7091	
9		300316021	14	Nut M12 ISO 10511	
10		300304058	10	Bolt M12 x 40 8.8 FZB ISO 4017	
11		300391400	2	Leg holder	
12		300391500	2	Parking leg	
13		300332039	2	Washer M8 FZB ISO 7091	
14		7000521527	2	Bolt M8x25 8.8 FZB ISO 4762	
15		71208044510	2	Tube cap 60x60x3	
16		100333014	2	Linch pin	
17		300304066	2	Bolt M12x50 8.8 FZB ISO 4014	
18		300332008	2	Washer M12 FZB ISO 7091	
19		300316021	1	Nut M12 ISO 10511	
20		7210000146	1	Pin	
21		300304057	4	Bolt M14x40 8.8 FZB ISO 4014	
22		330020260	1	Bottom box	
23		330020280	1	Hydraulic cover	
24		7000586214	2	Bolt M6x14 ISO 4017	
25		300332038	11	Washer M6 ISO 7091	
26		300316027	19	Nut M8 ISO 10511	
27		330020040	1	Hydraulic cover	
28		300316036	2	Nut M6 DIN 315	
29		330020037	1	Fixing the controller	
30		300304135	4	Bolt M6x20 8.8 ISO 4017	
31		300316026	4	Nut M6 ISO 10511	
32		300008357	3	Bottom hinge	
33		7000043401	1	Gas spring	
34		300333067	2	Linch pin	
35		300008361	1	Special hinge	
36		7000550235	3	Bolt M8x35 8.8 ISO 4014	
37		300315018	3	Nut M8 ISO 4032	
38		300304160	1	Bolt M8x50 8.8 ISO 4014	
39		330020106	1	U-cover	
40		300304138	4	Bolt M6x10 8.8 ISO 4017	
41		300304153	8	Bolt M8x20 8.8 ISO 4017	
42		300304027	4	Bolt M10x100 ISO 4014	
43		300332027	4	Washer M10 ISO 7091	
44		300316020	5	Nut M10 ISO 10511	
45		330020105	1	Cover plate	
46		7000601424	2	Fingerscrew	
47		330020104	2	Pin	
48		300007782	1	CME steering module	
49		330170030	1	Hydraulic filter	
50		7000583510	3	Washer M10 DIN 127	
51		300304028	3	Bolt M10x16 8.8 ISO 4017	
52		330020016	1	Hose Holder	

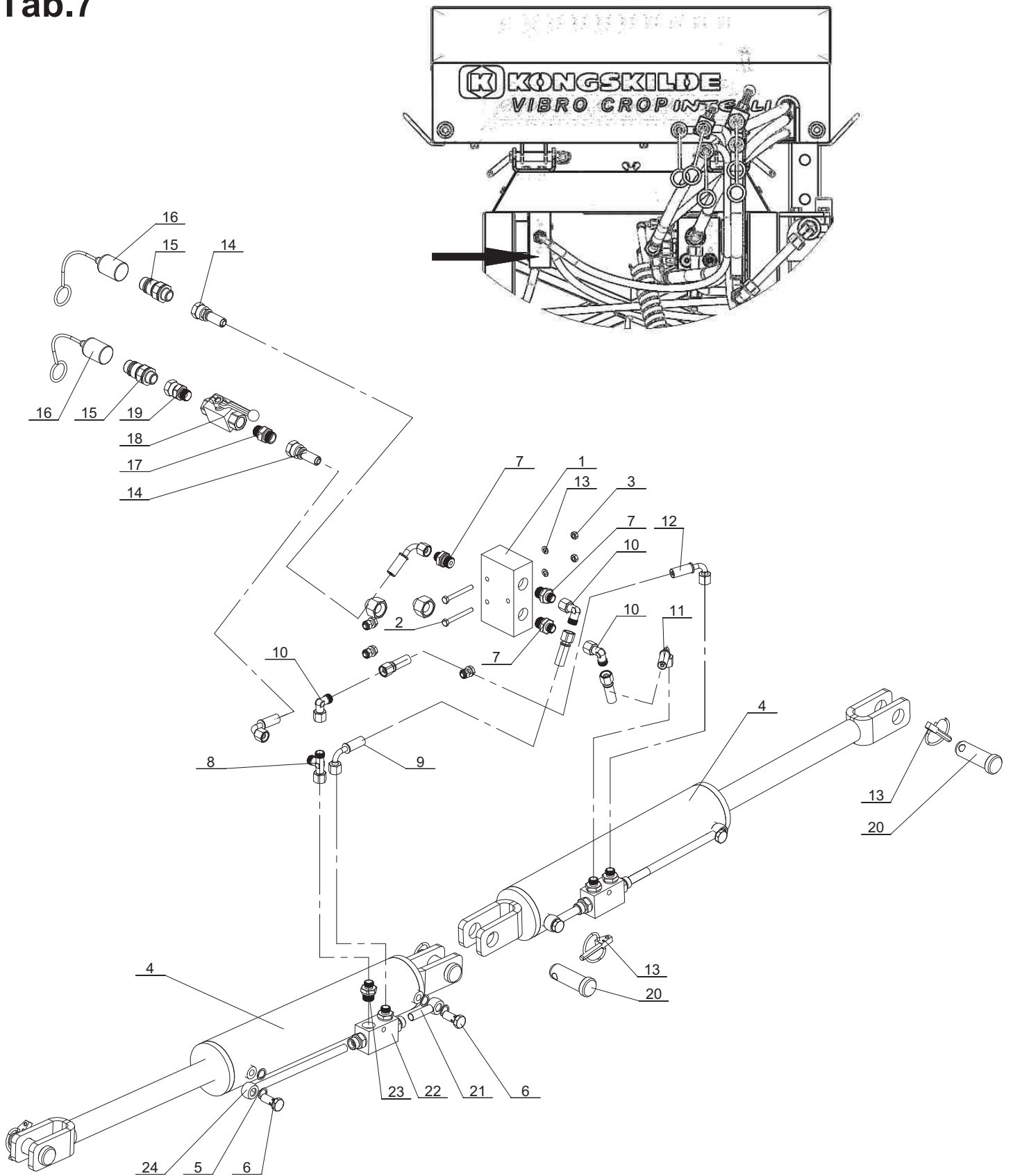
Tab. 6



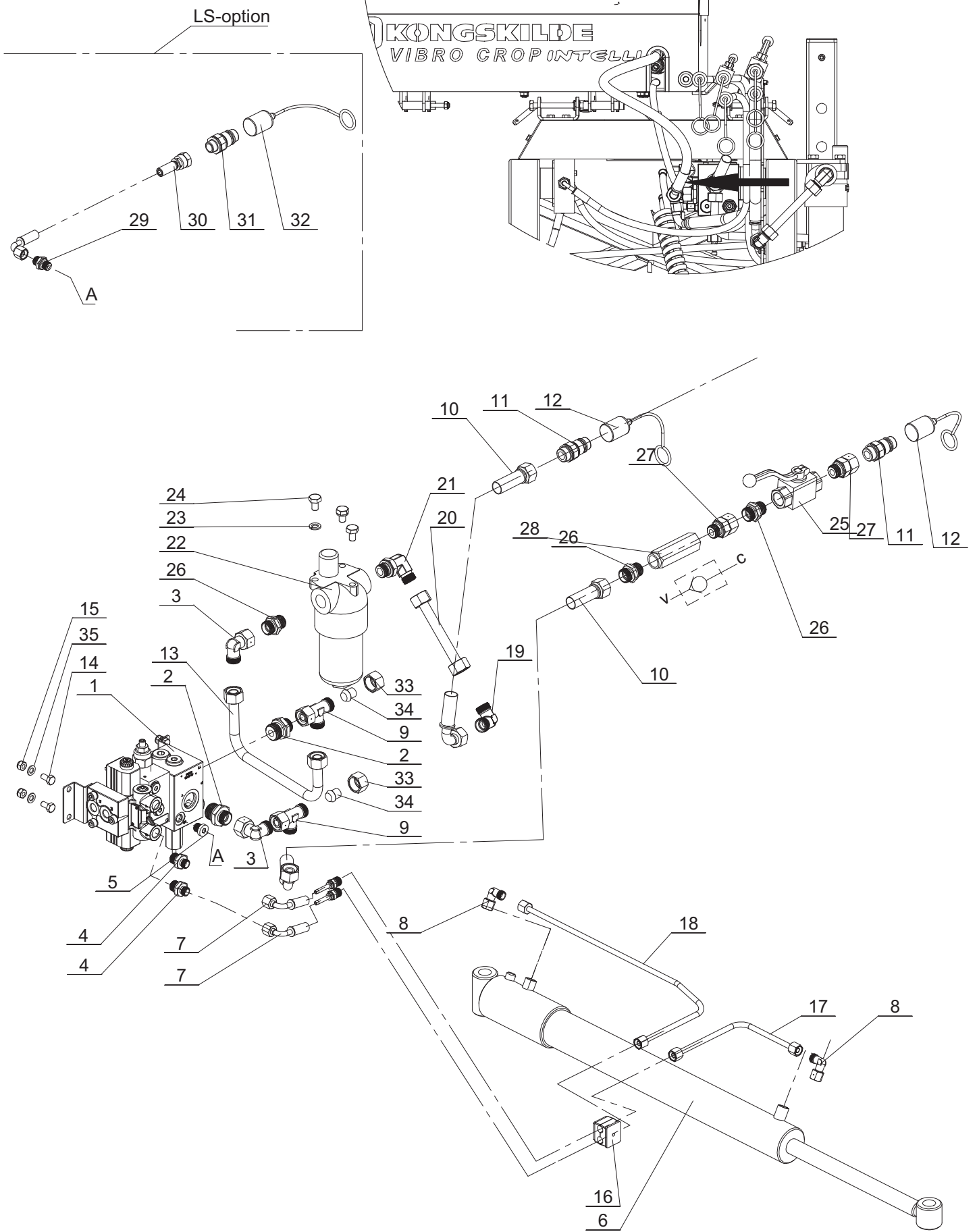
Tab.6

Fig.	Serial no.	Part no.	Quantity	Description
1		300394700	1	Light bracket - left
2		300167700	1	Warning plate - left
3		7000603014	2	Wire eyelet
4		300082634	2	Tube's cap
5		300004569	2	Rear lamp bracket
6		300304021	4	Bolt M12x130 8.8 FZB ISO 4014
7		300332008	4	Washer M12 FZB ISO 7089
8		300316021	4	Nut M12 ISO 10511
9		7000603318	2	Rear light
10		300332039	11	Washer M8 FZB ISO 7089
11		300316027	11	Nut M8 FZB ISO 10511
12		300304162	6	Bolt M8x70 8.8 FZB ISO 4014
13		300304152	5	Bolt M8x16 8.8 FZB ISO 4017
14		300008272	1	Label's bracket
15		300008277	1	Label - speed limit 25
16		300008273	1	Bracket for triangle
17		300008282	1	U-bolt M10
18		7000026757	2	Washer 18/ 10,5 /2
19		300316020	2	Nut M10 FZB ISO 10511
20		300008276	1	Handle for tables - painted
21		300008284	2	Reflective light - red
22		300394800	1	Light bracket - right
23		300167800	1	Warning plate - right
24		300008274	2	Electric wire 4x0,75
25		7000018142	1	Plug socket
26		300007727	1	Electric wire 7x0,75
27		300390200	1	Platform's step welded
28		300304032	4	Bolt M10x25 ISO 4017
29		7000026757	16	Washer 18/10,5 /2
30		372355500	1	Single step
31		300390400	1	Platform welded
32		330020330	1	Steps welded
33		370006173	2	Bushing L=26
34		300006929	1	Locking arm
35		300304037	2	Bolt M10x45 8.8 FZB ISO 4017
36		370006232	1	Locking arm spring
37		300332008	8	Washer M12 FZB ISO 7089
38		300316021	4	Nut M12 ISO 10511
39		7002153795	2	Outside f. supporting base
40		7002153793	2	Supporting base
41		300304191	4	Bolt M8x25 8.8 FZB ISO 8677
42		7000602447	4	Washer M8 FZB DIN9021
43		7000036676	2	Pin
44		300304057	2	Bolt M12 x 35 8.8 FZB ISO 4017
45		300390300	2	Handrail welded
46		300390800	2	Welded bracket
47		300332027	32	Washer M10 FZB ISO 7089
48		300316020	30	But M10 ISO 10511
49		300304034	20	Bolt M10x30 8.8 FZB ISO 4017
50		300304010	2	Bolt M12x25 8.8 FZB DIN912

Tab.7



Tab.8



Tab.8

Fig.	Serial no.	Part no.	Quantity	Description
1		300008255	1	Hydraulic master block - side shift
2		300008319	2	Adapter 3/4"/M22x1,5
3		300008371	2	Coupling L, M22x1,5
4		300007695	2	Adapter 3/8"/M14x1,5
5		300007772	1	Plug 1/4"
6		300008266	1	Hydraulic cylinder - side shift
7		330020096	2	Hydraulic Hose M14x1,5 / M14x1,5 90° L=540 mm
8		300007696	2	Hydraulic coupling L M14x1,5
9		300008370	2	Coupling T, M22x1,5
10		300008321	2	Hydraulic hose L=2500, M22x1,5
11		300008320	2	Coupling M22x1,5
12		7000406140	2	Dust cap
13		330150010	1	Hydraulic pipe 15L
14		7000586416	4	Bolt M18x16 8.8 ISO 4017
15		300316027	4	Nut M8 ISO 10511
16		301044222	1	Pipe double holder 8mm
17		330020150	1	Hydraulic pipe M14x1,5
18		330020140	1	Hydraulic pipe M14x1,5 L=412mm
19		330020042	1	Coupling L, M22x1,5
20		330150008	1	Hydraulic pipe 15L L=135mm
21		330130008	1	Elbow fitting
22		330170030	1	Hydraulic filter
23		7000583510	3	Washer M10 DIN 127
24		300304028	3	Bolt M10x16 8.8 ISO 4017
25		300008386	1	Ball valve
26		300008369	2	Adapter 1/2"/M22x1,5
27		300007688	2	Adapter 1/2"/M22x1,5
28		300008387	1	Return valve
29		300007773	1	Adapter 1/4"/M14x1,5
30		300008375	1	Hydraulic hose L=2800, M14x1,5/M18x1,5
31		7210000125	1	Quick coupling
32		7000600400	1	Dust cap
33		301044077	2	Nut 15L
34		301044076	2	Plug 15L
35		300332039	4	Washer M10 ISO 7091

Tab.9

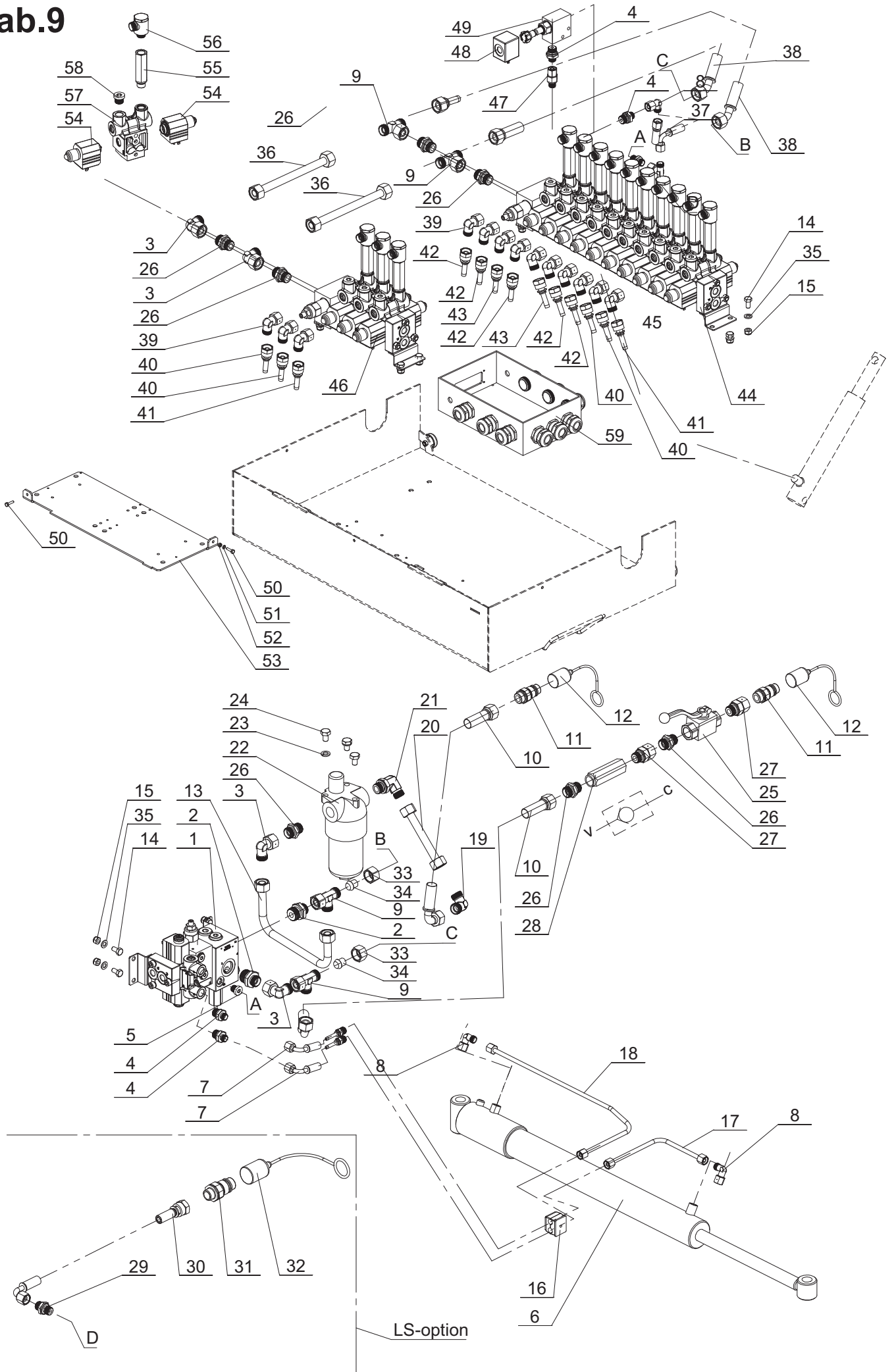


Fig.	Serial no.	Part no.	Quantity	Description	Tab.9
1		300008255	1	Hydraulic master block - side shift	
2		300008319	2	Adapter 3/4"/M22x1,5	
3		300008371	4	Coupling L, M22x1,5	
4		300007695	4	Adapter 3/8"/M14x1,5	
5		300007772	1	Plug 1/4"	
6		300008266	1	Hydraulic cylinder - side shift	
7		330020096	2	Hydraulic Hose M14x1,5 / M14x1,5 90° L=540 mm	
8		300007696	3	Hydraulic coupling L M14x1,5	
9		300008370	4	Coupling T, M22x1,5	
10		300008321	2	Hydraulic hose L=2500, M22x1,5	
11		300008320	2	Coupling M22x1,5	
12		7000406140	2	Dust cap	
13		330150010	1	Hydraulic pipe 15L	
14		7000586416	12	Bolt M18x16 8.8 ISO 4017	
15		300316027	12	Nut M8 ISO 10511	
16		301044222	1	Pipe double holder 8mm	
17		330020150	1	Hydraulic pipe M14x1,5	
18		330020140	1	Hydraulic pipe M14x1,5 L=412mm	
19		330020042	1	Coupling L, M22x1,5	
20		330150008	1	Hydraulic pipe 15L L=135mm	
21		330130008	1	Elbow fitting	
22		330170030	1	Hydraulic filter	
23		7000583510	3	Washer M10 DIN 127	
24		300304028	3	Bolt M10x16 8.8 ISO 4017	
25		300008386	1	Ball valve	
26		300008369	6	Adapter 1/2"/M22x1,5	
27		300007688	2	Adapter 1/2"/M22x1,5	
28		300008387	1	Return valve	
29		300007773	1	Adapter 1/4"/M14x1,5	
30		300008375	1	Hydraulic hose L=2800, M14x1,5/M18x1,5	
31		7210000125	1	Quick coupling	
32		7000600400	1	Dust cap	
33		301044077	2	Nut 15L	
34		301044076	2	Plug 15L	
35		300332039	12	Washer M10 ISO 7091	
36		330150011	2	Hydraulic pipe 15L L=210mm	
37		330120002	1	Hydraulic hose L=750, M14x1,5	
38		330120019	2	Hydraulic hose L=600, M22x1,5	
39		300000867	13	Hydraulic coupling L	
40		300008375	4	Hydraulic hose L=2800, M14x1,5/M18x1,5	
41		300008374	2	Hydraulic hose L=3400, M14x1,5/M18x1,5	
42		300008376	5	Hydraulic hose L=2000, M14x1,5/M18x1,5	
43		300008377	1	Hydraulic hose L=1500, M14x1,5/M18x1,5	
44		300400500	1	Hydraulic block 10 - sections (fittings)	
45		300400700	1	Hydraulic block 9- sections (fittings)	
46		300400600	1	Hydraulic block 3- sections (fittings)	
47		7000603469	1	Adapret 1/4"	
48		300008260	1	Coli	
49		300008259	1	High Pressure Lift Block	
50		300304195	2	Bolt M4x16 8.8 ISO 4017	
51		300332005	2	Washer M4 DIN 127	
52		300315015	2	Nut M4 ISO 4032	
53		330020079	1	Controlers plate	
54		300008381	1	Valve's coil	
55		300008383	1	Speed control valve	
56		7000405785	1	Screwed connection	
57		300008382	1	Valve's block	
58		300008368	1	Plug 3/8"	
59		300007571	1	Control box	

Tab.9 Vision system

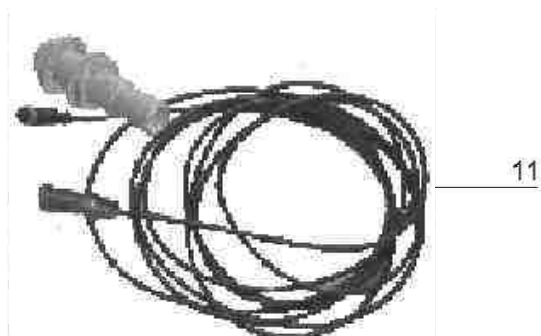
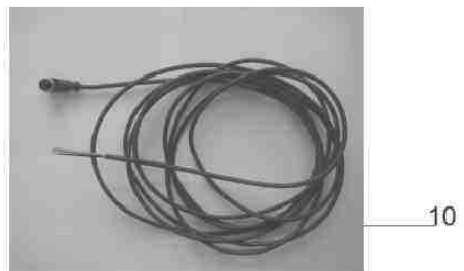
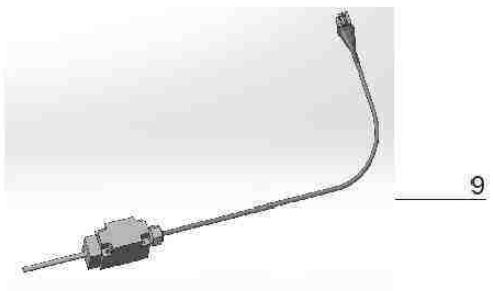
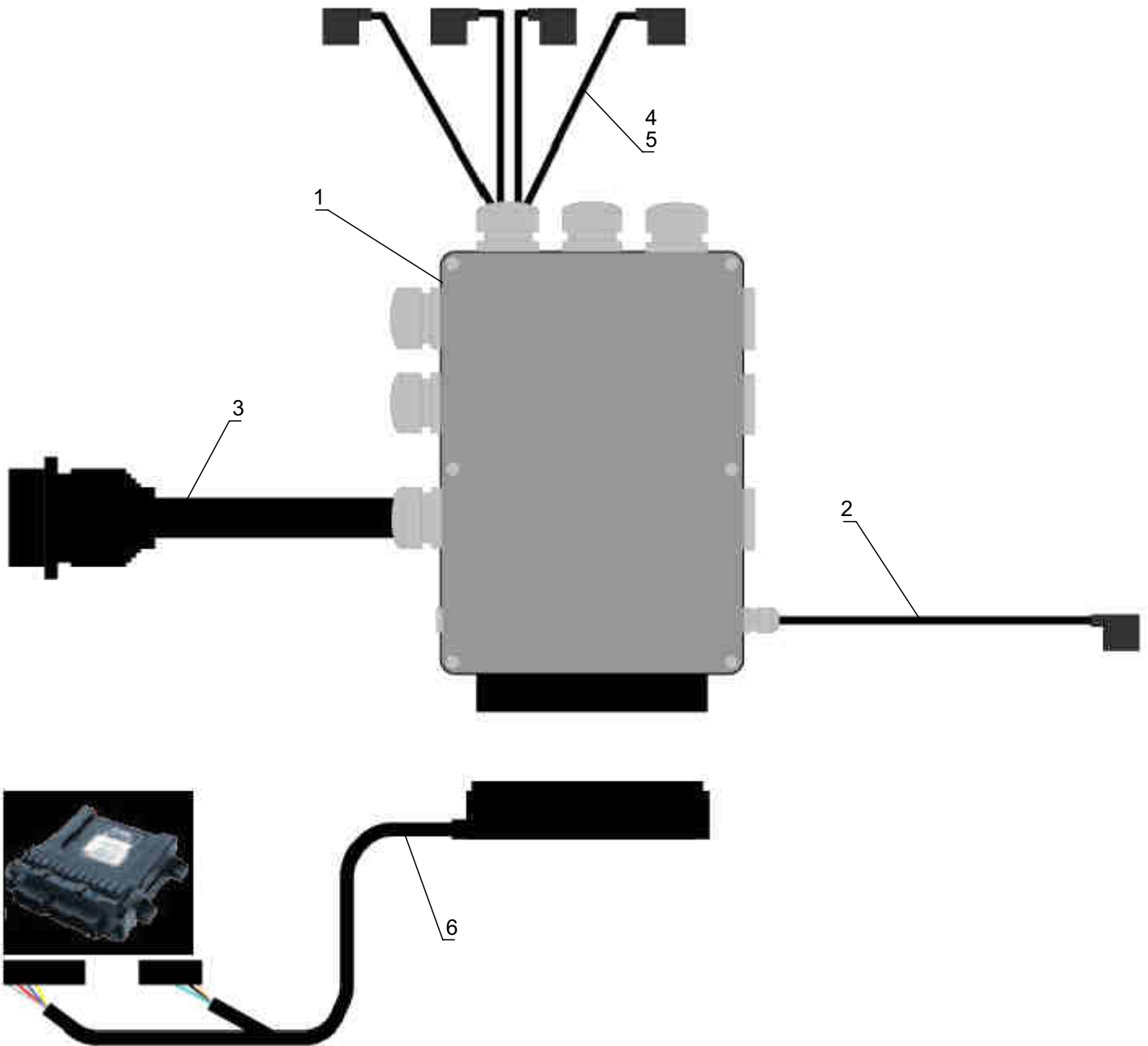


Fig.	Serial no.	Part no.	Quantity	Description	Tab.10
1		300007779	1	Stereo camera MK3	
1		330250002	1	Stereo camera MK4	
2		300007778	1	Monitor panel	
3		300007790	1	Camera box	
5		300007791	1	Coiled cable MK3	
5		330230004	1	Coiled cable MK3	
6		300007793	1	Tractor harness MK3	
6		330230002	1	Tractor harness MK4	
7		300007794	1	Implement harness MK3	
7		330230001	1	Implement harness MK4	
8		330020098	1	Aluminium profile L=1000 mm	
9		330290001	1	Implement sensor with bracket	
10		330230003	1	Speed sensor cable	
11		330270001	1	Speed sensor with cable 5m	

Tab.11

9 sections control (Trimble)

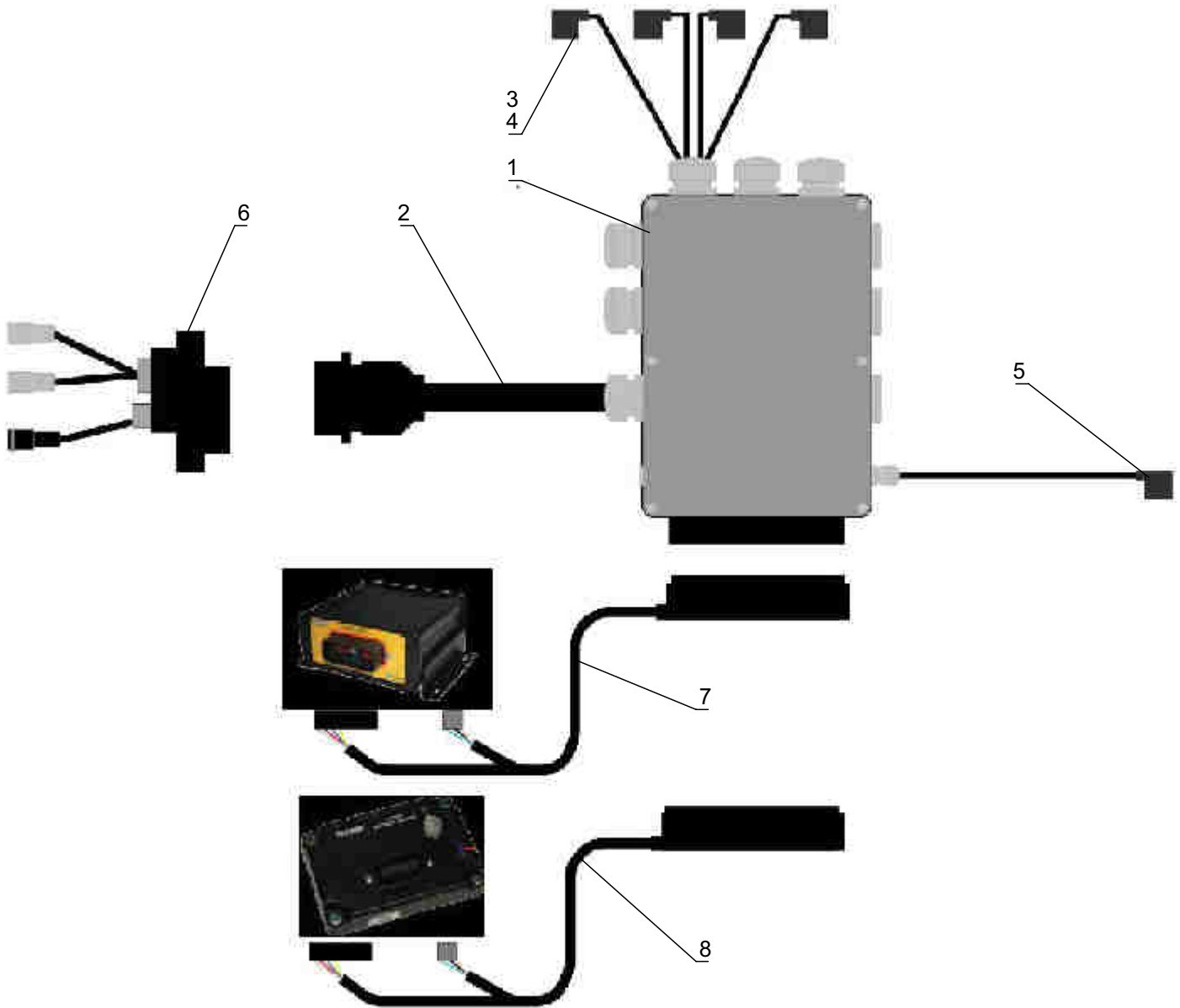


Tab.11

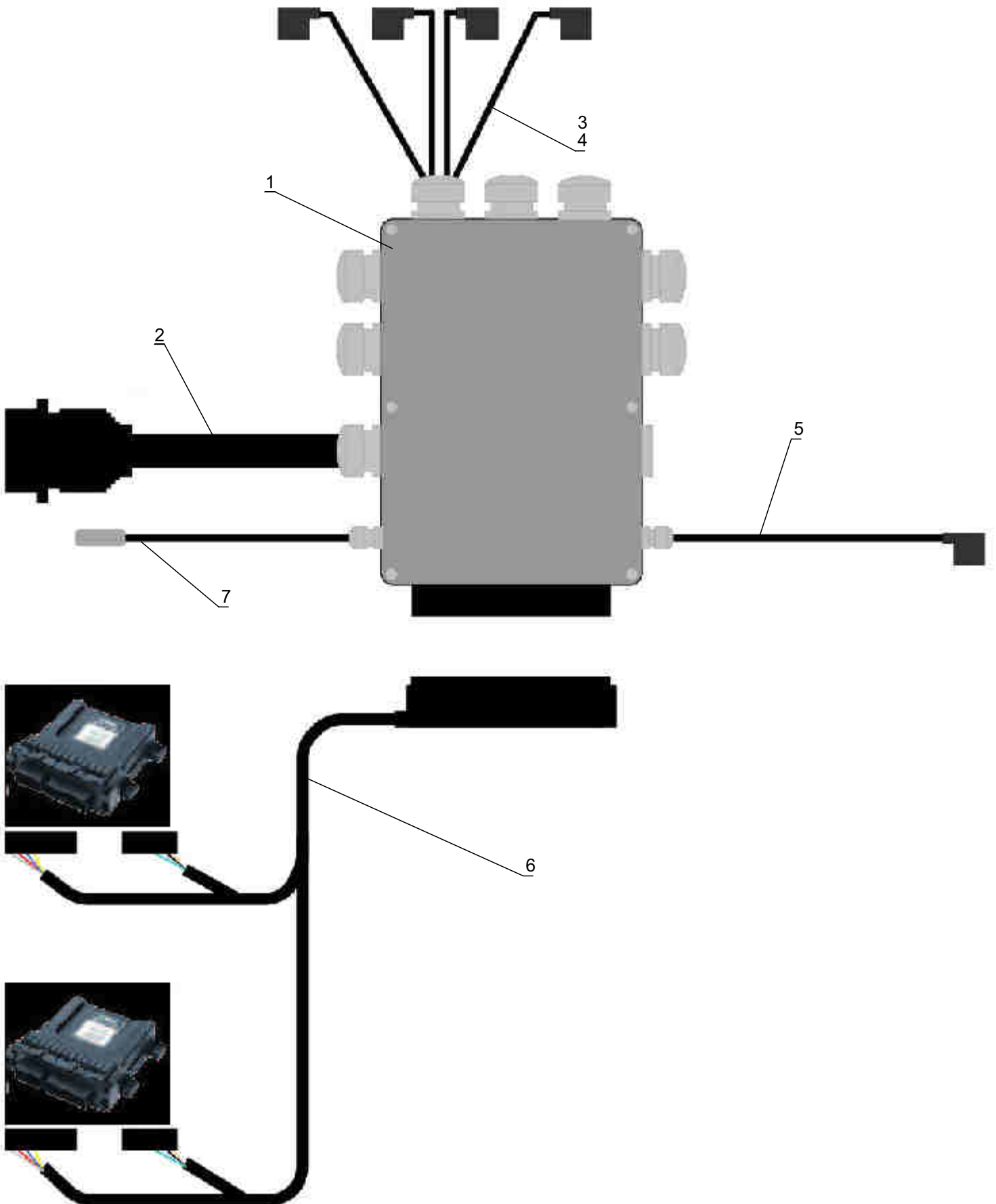
Fig.	Serial no.	Part no.	Quantity	Description
1		300007571	1	Control box
2		300008302	1	Bypass valve cable
3		300007576	1	Isobus cable
4		300008372	1	Cable for 2 valves
5		300008373	4	Cable for 4 valves
6		300007753	1	Converter cable for 1 Trimble box

Tab.12

9 sections control (Topcon and AG-leader)

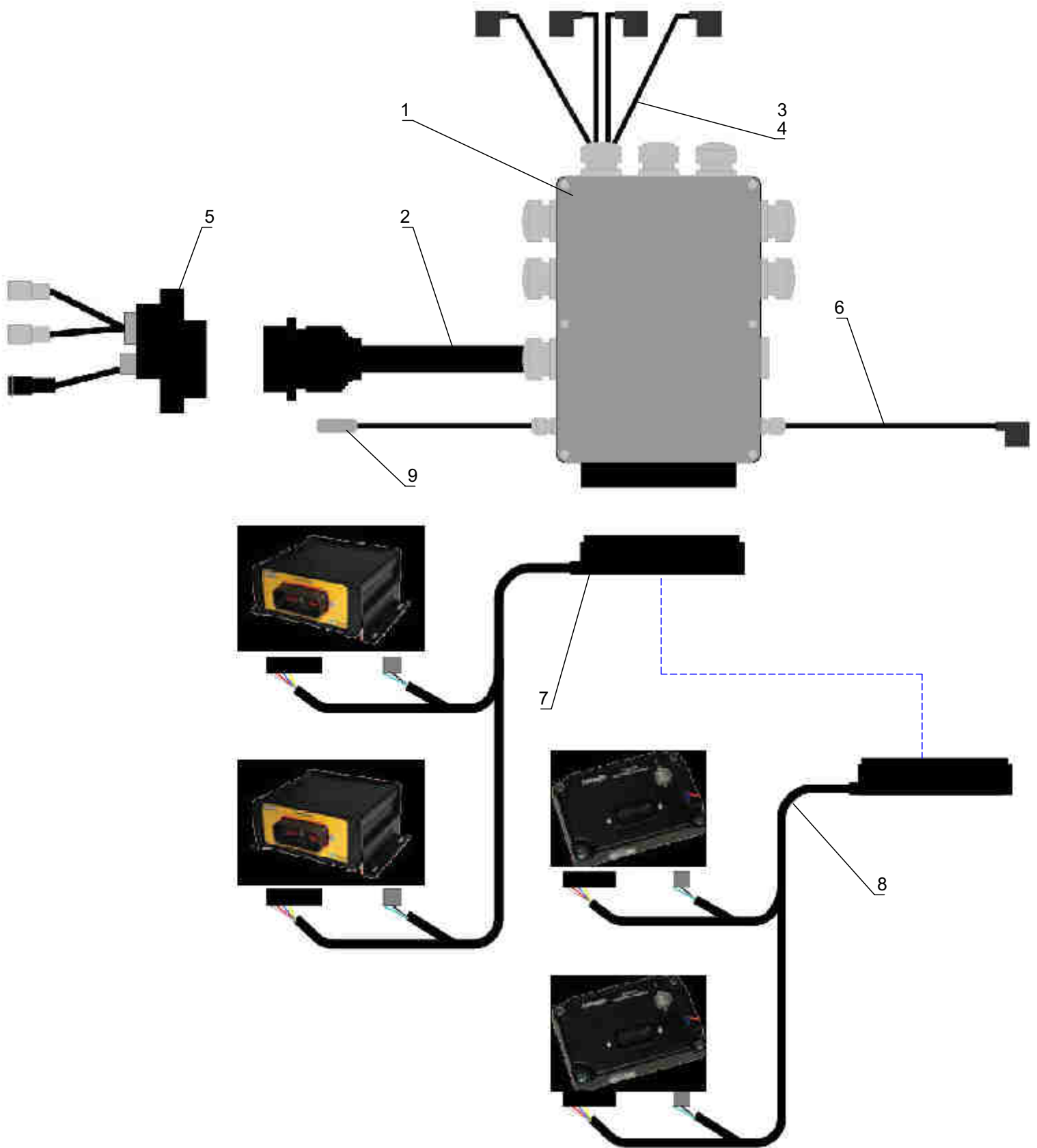


Tab.13 13 sections control (Trimble)



Tab.14

13 sections control (Agleader and Topcon)



Valid from serial number: | Gültig ab Seriennummer:

Valable à partir de numéro de série: | Gyldig fra serienummer:

A17-0610-40150002