

WING JET 4812/4818/4824



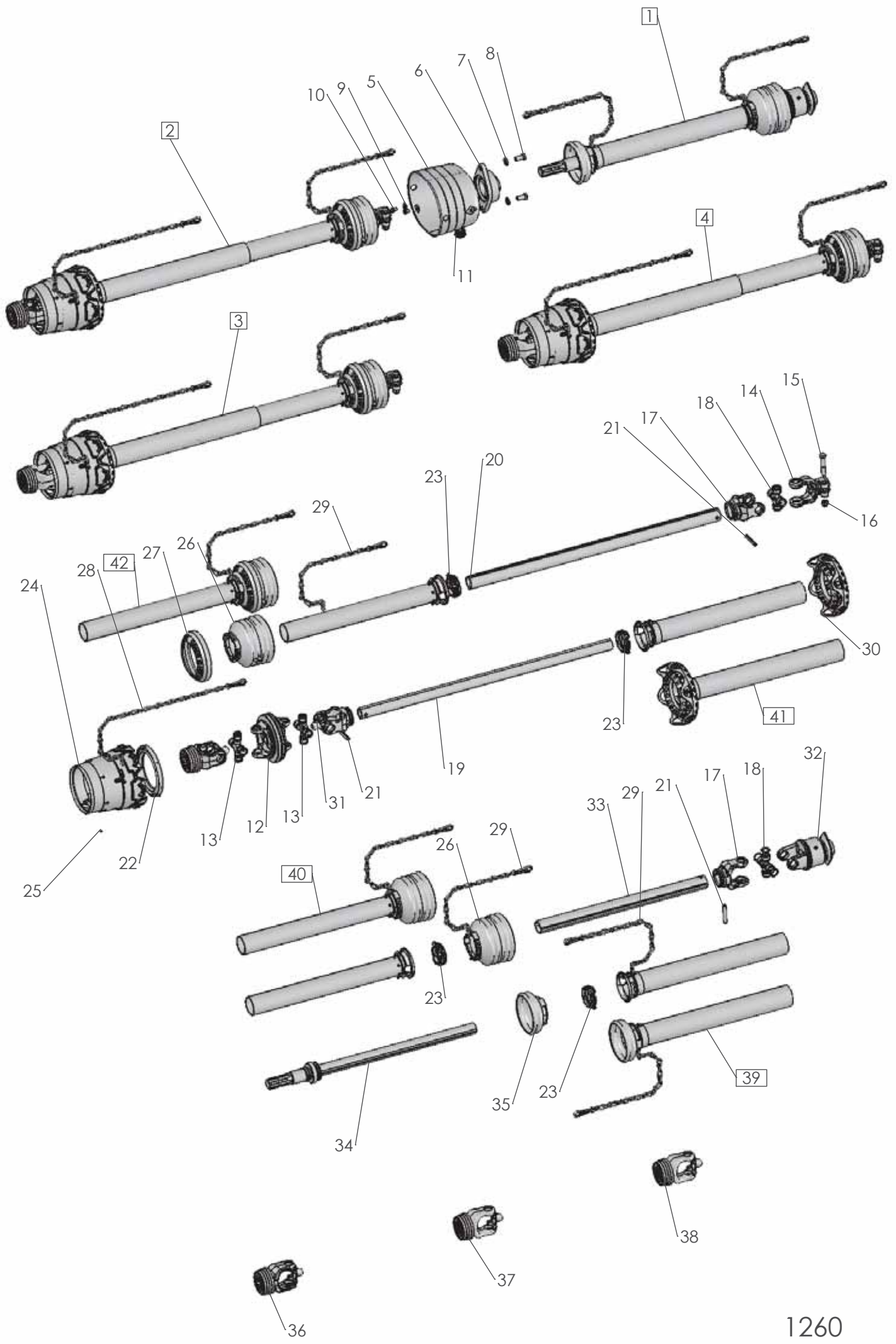
Reservdelista
Spare parts list
Ersatzteilliste
Onderdelenlijst
Liste de pièce de rechange
Listino di prezzi de ricambio

Edition:
190110

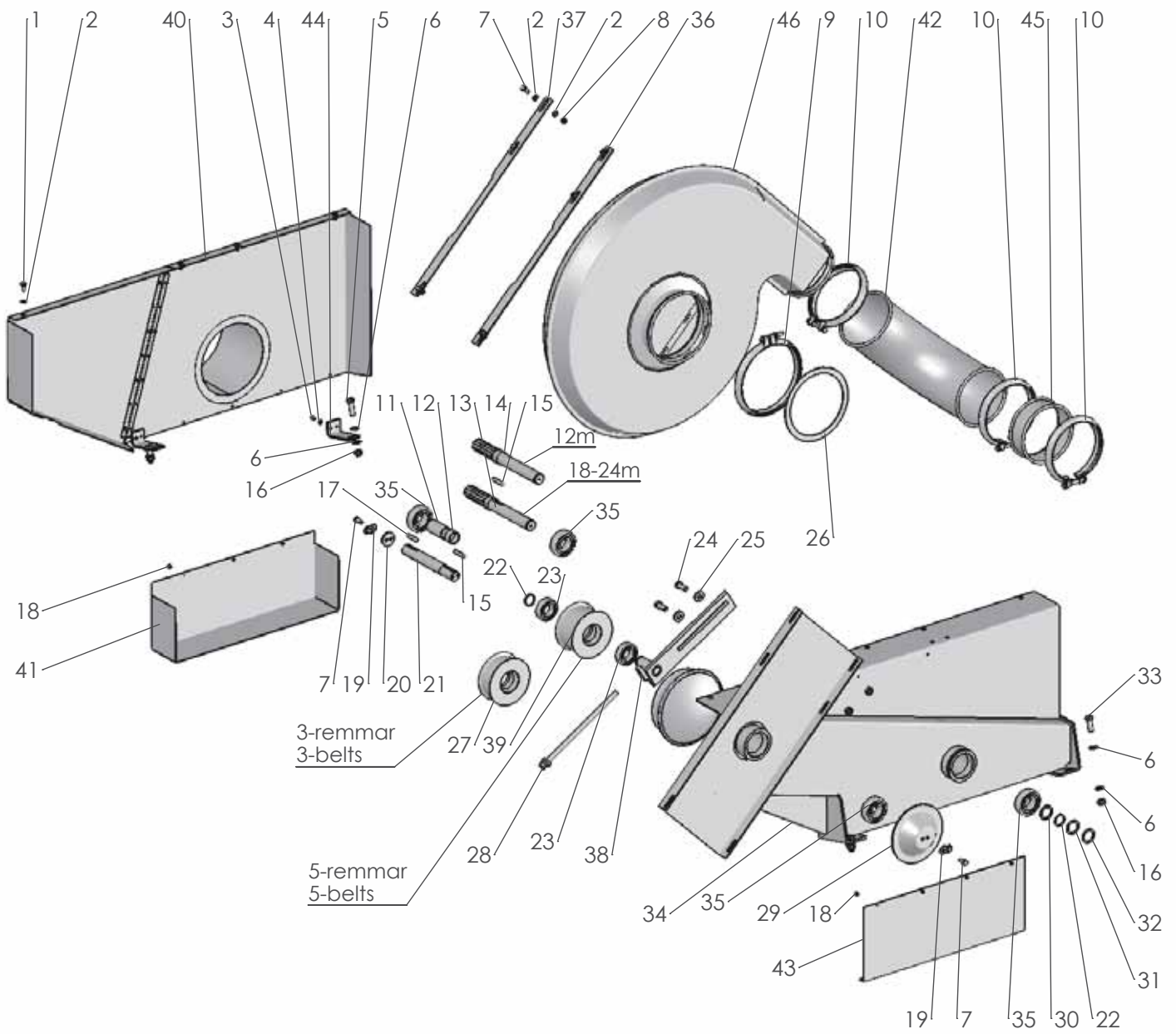
 **KONGSKILDE**

Sida Seite Page Page	Bild Bild Fig.No. Fig.Nº.	Innehållsförteknig	Index of contents
5	1260	KRAFTÖVERFÖRINGSAXEL	P.T.O. DRIVE SHAFT
7	1196, 1197	FLÄKT	BLOWER
9, 11	1186	KILREMSKIVESATSER	V-BELT PULLEY SET
13	1253, 1254	DRAG	DRAWBAR
15	1192, 1252	DRAG	DRAWBAR
17	1193	CHASSI	CHASSIE
19, 21	1021, 1022, 1187 1412	HJULAXLAR	WHEEL AXLES
23	1259	HJULAXLAR	WHEEL AXLES
25	1023	BROMS	BREAKS
25, 27	1024, 1194	HJULUTRUSTNING	WHEELS
27	1377	STOPPKLOTSAR	STOP BLOCKS
29	1216	HASTIGHETSGIVARSATS	SPEED SENSOR KIT
31	1176, 1177	BROMSHYDRAULIK	HYDRAULIC BREAK
33	1175	BROMSPNEUMATIK	PNEUMATIC BREAK
35	705	HANDBROMS	HAND BREAK
37	1257	HYDRAULISK BROMS, S 4812	HYDRAULIC BREAK, S 4812
39	1258	HYDRAULISK BROMS, S4818/4824	HYDRAULIC BREAK, S4818/4824
41	1256A, 1256B	HANDBROMS, S 4812-4818/4824	HAND BREAK, S 4812-4818/4824
43	1188	STEGE	LADDER
45	1202, 1203	BEHÅLLARE, BEHÅLLARTOP, PRESENNING	HOPPER, HOPPER TOP, TAPPAULIN
47	1204, 1208	BEHÅLLARFÖRHÖJNING, SÅLL	HOPPEREXTENSION, SIEVES

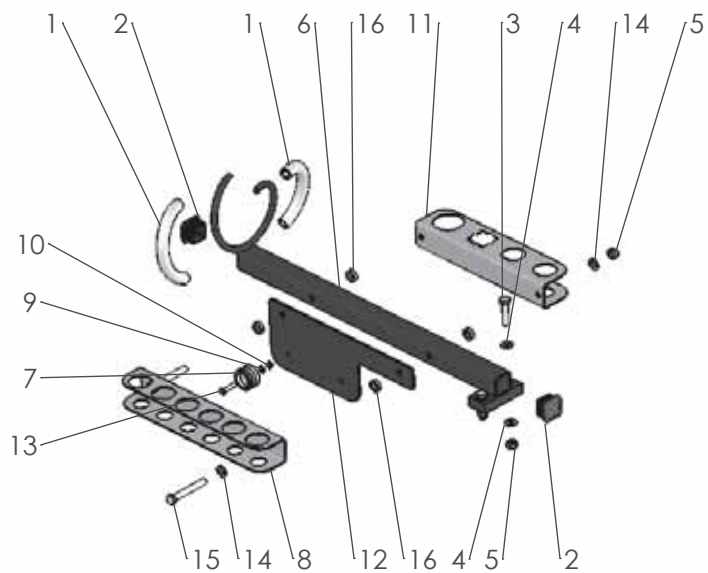
Sida Seite Page Page	Bild Bild Fig.No. Fig.Nº.	Innehållsförteknig	Index of contents
53	1408	DRIVANORDNING, S4812	DRIVE UNIT, S4812
55	1409	DRIVANORDNING, S4818-4824	DRIVE UNIT, S4818-4824
57-63	1209, 1410,1411 1217, 1219, 1220	UTMATNING	FEEDING SYSTEM
65	1215	ELDELAVSTÄNGNING	PARTIAL SHUT OFF
67	1214	ELEKTRONIK	ELECTRONICS
69	1210	MITTSEKTION, S4812	MIDDLE SECTION, S4812
71	1227	SPRIDARRÖR, S4812	SPREADER TUBES, S4812
73, 75	1406, 1402	MITTSEKTION, S4818	MIDDLE SECTION, S4818
77, 79, 81	1403, 1404 ,1405	SIDOSEKTIONER, S4818	BOOM SECTIONS, S4818
83	1232	MITTSEKTION, S4824	MIDDLE SECTION, S4824
85, 87	1234,1235	SIDOSEKTIONER, S4824	BOOM SECTIONS, S4824
89, 91	1236, 1237	SPRIDARRÖR, S4824	SPREADER TUBES, S4824
111, 113	1198, 1199,1200 1201, 1205	BELYSNING	LIGHTS
115	1261	BELYSNING, FRANKRIKE	LIGHTS, FRANCE
117	1207	LGF-SKYLT	SMV-SIGN
119- 131	1172, 1407, 1174 1062, 1708 1222, 1223, 1224	HYDRAULIK	HYDRAULICS
133	1206	HORISONTALLÄGES INDIKATOR	HORISONTAL POSITION INDICATOR
135,137	1180, 1181	STÅNSKÄRMAR	MUDGUARDS
139	1182, 1183	AVSKRAPARE	SCRAPER
141	1184, 1185, 1065	VÅGUTRUSTNING, RENSVERKTYG MATARVALSINSATSER	SCALE KIT, REDUCING INSERTS, CLEANER
143, 145	1709, 1711	DEKALER	DECALS



Pos nr/ Ref No	Detalj nr/ Part No	Benämning	Description
1260 Ö		KRAFTÖVERFÖRING	P.T.O DRIVE
1	4165 23556 00	Kraftöverföringsaxel, inre	Intermediate PTO shaft
2	4165 33748 00	Kraftöverföringsaxel 1 3/8"-6, yttre	PTO drive shaft 1 3/8"-6, outer
3	4165 33831 00	Kraftöverföringsaxel 1 3/8"-21, yttre	PTO drive shaft 1 3/8"-21, outer
4	4165 33830 00	Kraftöverföringsaxel 1 3/4"-20, yttre	PTO drive shaft 1 3/4"-20, outer
5	4165 23826 00	Skyddskåpa	PTO drive shaft guard
6	4165 98343 00	Y-lagerenhet, Ø40	Y-bearing unit, Ø40
7	4734 11 78 07	Bricka BRB 13x 24 FZV	Washer ISO 7089 - 12
8	4725 25 34 57	Skruv M6S 12x 25- 8.8 FZV	Bolt ISO 4014 - M12 x 25
9	4734 11 64 49	Bricka DIN 9021 8,4x24 A2	Washer DIN 9021 - 8.4
10	4725 24 47 40	Skruv M6S 8x 12 A2-80	Bolt ISO 4014 - M8 x 12
11	4165 99388 00	Skyddsplugg, GL 34x3.5-4	Protective cap, GL 34x3.5-4
12	W384517	Vidvinkel	Double yoke
13	W116550	Knutkors, kompl	Cross, cpl
14	W041357	Kopplingsgaffel, 1 3/8-6	Yoke, 1 3/8-6
15	W020467	Skruv	Bolt
16	W010490	Låsmutter	Locking nut
17	W041318	Gaffel	Inboard yoke
18	W121143	Knutkors, kompl	Cross and bearing, cpl
19	W135936	Profilrör	Profile tube
20	W136155	Profilrör	Profile tube
21	W020614	Rörstift	Spring pin
22	W365717	Plastring	Plastic ring
23	W087279	Lagering	Bearing ring
24	W134400	Skyddstratt	Cover
25	W365305	Skruv	Screw
26	W365346	Axelskydd bakre, kompl	Rear shaft cover, cpl
27	W359471	Skyddsring	Guard ring
28	W382078	Kedja	Chain
29	W044321	Kedja	Chain
30	W134845	Skyddstratt	Guard cone
31	W366860	Inre gaffel	Inner yoke
32	W366750	Frihjulskoppling	Free wheel clutch
33	W046660	Profilrör	Profile tube
34	W127066	Mellanaxel halva	Intermediate shaft half
35	W365757	Skyddstratt, kompl	Guard cone, cpl
36	4165 24545 00	Kopplingsgaffel för vidvinkel, 1 3/8"-6	Wide angle yoke, 1 3/8"-6
37	4165 24546 00	Kopplingsgaffel för vidvinkel, 1 3/8"-21	Wide angle yoke, 1 3/8"-21
38	4165 24547 00	Kopplingsgaffel för vidvinkel, 1 3/4"-20	Wide angle yoke, 1 3/4"-20
39	W116536	Yttre skyddshalva	Outer guard half
40	W368681	Inre skyddshalva	Inner guard half
41	W116472	Yttre skyddshalva	Outer guard half
42	W368634	Inre skyddshalva	Inner guard half



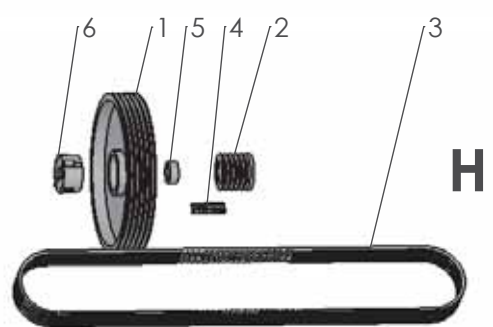
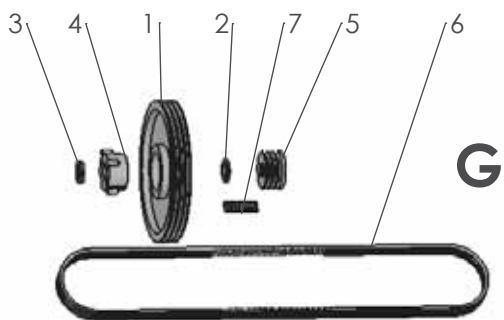
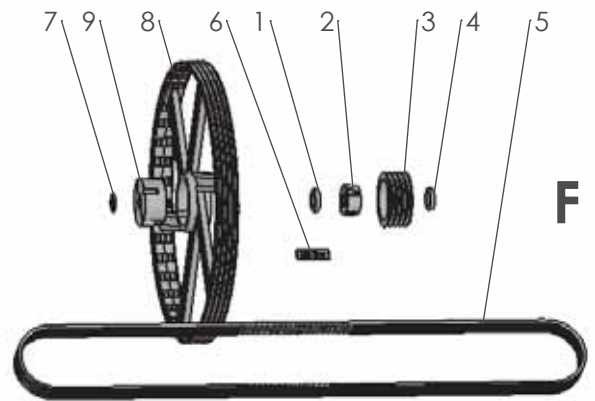
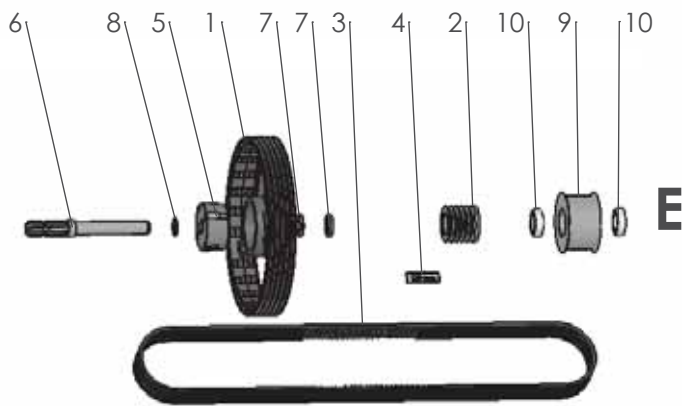
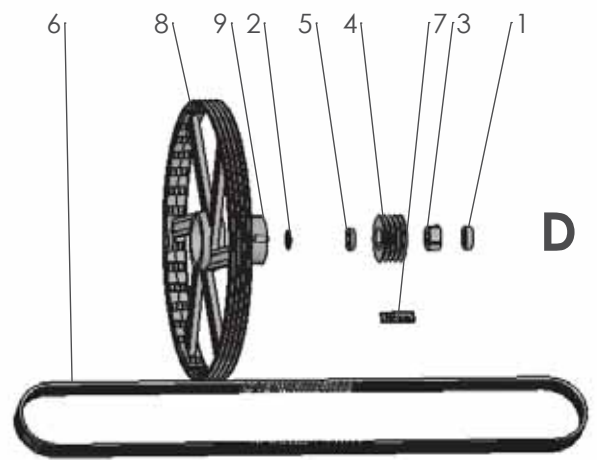
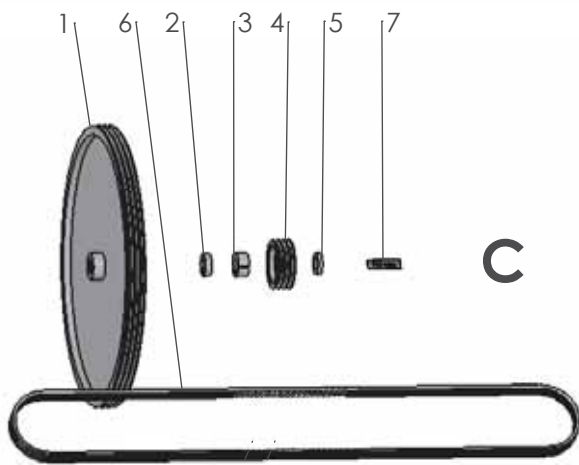
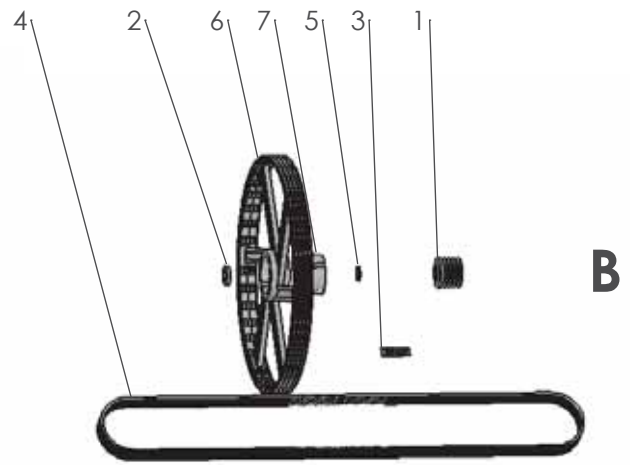
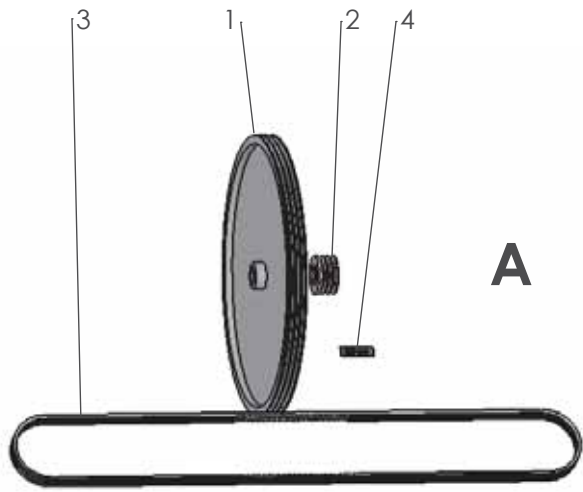
1196



1197

Pos nr/ Ref No	Detalj nr/ Part No	Benämning	Description
1196 Ö	29473	FLÄKT MED DRIVNING	BLOWER WITH DRIVE
1	4725 24 49 57	Skruv M6S 8x 16- 8.8 FZV	Bolt ISO 4014 - M8 x 16-8.8
2	4734 11 64 07	Bricka BRB 8,4x 16 FZV	Washer ISO 7089 - 8
3	4725 23 66 40	Skruv M6S 6x 12 A2-80	Bolt ISO 4014 - M6 x 12 A2-80
4	4734 11 53 09	Bricka BRB 6,4x 12 A2	Washer ISO 7089 - 6
5	4725 25 40 57	Skruv M6S 12x 40- 8.8 FZV	Bolt ISO 4014 - M12 x 40-8.8 FZV
6	4734 11 78 07	Bricka BRB 13x 24 FZV	Washer ISO 7089 - 12
7	4725 24 51 57	Skruv M6S 8x 20- 8.8 FZV	Bolt ISO 4014 - M8 x 20
8	4732 21 18 90	Mutter M6M 8 NF A2-80	Nut DIN 985 - M8 A2
9	4165 99796 00	Spännring OK200, kompl	Tube clamp OK200, cpl.
10	4165 19334 00	Spännring, kompl	Tube clamp compl.
11	4165 16664 00	Hylsa, Ø30,2/35x62,6	Sleeve, Ø30,2/35x62,6
12	4165 16510 00	Hylsa, Ø30,2/35x19,5	Sleeve, Ø30,2/35x19,5
13	4165 99872 00	Drivaxel	Drive shaft
14	4165 13416 00	Drivaxel	Drive shaft
15	4735 93 05 00	Plattkil 8x 7- 50	Flat key, 8x 7- 50
16	4732 21 22 90	Mutter M6M 12 NF A2-80	Nut DIN 985 - M12
17	4735 93 04 00	Plattkil 8x 7- 45	Flat key, 8x 7- 45
18	4722 78 67 02	Blindnit, TAP/D 66BS	Blind rivet, TAP/D 66BS
19	4165 19070 54	Låsbricka, dubbel	Locking washer
20	4165 11154 48	Underläggsbricka med 2 hål	Washer with 2 holes
21	4165 14114 00	Fläktaxel	Blower shaft
22	4735 31 30 01	Spärring SgA 30 FZB	Circlip DIN 471 - 30 x 1.5
23	4738 22 06 21	Kullager 6206-2RS1 WT	Ballbearing 6206-2RS1 WT
24	4725 25 36 57	Skruv M6S 12x 30- 8.8 FZV	Bolt ISO 4014 - M12 x 30-8.8
25	4165 80735 00	Bricka, Ø13/30x4	Washer, Ø13/30x4
26	4165 99794 40	Insugningsskydd, TRL200	Intake guard, TRL200
27	4165 14119 00	Spännrulle, 3-remmar	Tightening pulley, 3-belts
28	4165 20626 00	Justerskruv, M12	Adjustment bolt, M12
29	4165 14130 50	Säkerhetsbricka (fläkt)	Safety washer (blower)
30	4165 19307 00	Bricka, SS 30/42x2,5	Washer DIN 988-S30x42
31	4165 19371 00	Bricka PS 30x42x0,3	Washer DIN 988-30x42x0.3
32	4165 19370 00	Bricka PS 30x42x0,2 DIN 988	Washer DIN 988-30x42x0.2
33	4725 25 38 57	Skruv M6S 12x 35- 8.8 FZV	Bolt ISO 4014 - M12 x 35-8.8
34	4165 32331 40	Fläktkonsol	Fan bracket
35	4738 23 06 45	Kullager 6306-2RS1/C3WT	Ballbearing 6306-2RS1/C3WT
36	4165 14129 80	Mellanlägg för fläkt, t=3	Spacer, t=3
37	4165 14129 70	Mellanlägg för fläkt, t=2	Spacer, t=2
38	4165 23395 40	Spännarm	Tension arm
39	4165 99833 00	Spännrulle, 5-remmar	Tightening pulley
40	4165 99215 01	Skydd, kompl	Belt cover, cpl
41	4165 22076 40	Främre skyddsplåt, S	Front guard plate, S
42	4165 19333 00	Rörböj 90°, OK 160	Tube-elbow 90°, OK 160
43	4165 27141 40	Bakre skyddsplåt, S	Rear guard plate, S
44	4165 22487 40	Frontfäste, fläkt	Front bracket, fan
45	4165 24535 40	Rör OK160, L=63	Tube OK160, L=63
46	4165 99795 40	Fläkt + fläkthjul, TRL 200	Blower + fanwheel, TRL 200

Pos nr/ Ref No	Detalj nr/ Part No	Benämning	Description
1197	33376	SLANGHÅLLARE	HOSE BRACKET
1	4165 17312 00	Plastslang, Ø10/16 L=165	Plastic hose, Ø10/16 L=165
2	4165 96964 00	Skyddsplugg, KR 30x30x3	Protective cap, KR 30x30x3
3	4725 24 57 57	Skruv M6S 8x 35- 8.8 FZV	Bolt ISO 4014 - M8 x 35-8.8
4	4734 11 64 07	Bricka BRB 8,4x 16 FZV	Washer ISO 7089 - 8
5	4732 21 18 90	Mutter M6M 8 NF A2-80	Nut DIN 985 - M8 A2
6	4165 33482 40	Öglehållare, kompl	Eye bracket, cpl
7	4165 33457 00	Dummie hondel, 3/4	Dummie coupling M, 3/4
8	4165 26977 00	Slanghållare, 6x1/2"	Hose bracket, 6x1/2"
9	4734 11 46 09	Bricka BRB 5,3x 10 A2	Washer ISO 7089 - 5
10	4732 21 14 90	Mutter M6M 5 NF A2-80	Nut DIN 985-M5 NF
11	4165 33461 00	Kabelhållare	Cable bracket
12	4165 33462 40	Fästplåt	Bracket plate
13	4725 63 33 40	Skruv MF6S 5x 25 A2-70	Bolt ISO 10642-M5x25 A2-70
14	4734 11 64 09	Bricka BRB 8,4x 16 A2	Washer ISO 7089- 8 A2
15	4725 24 63 40	Skruv M6S 8x 60 A2-80	Bolt ISO 4014 - M8 x 60 A2-80
16	4165 98676 00	Bricka, Ø8,4/16x5	Washer, Ø8,4/16x5



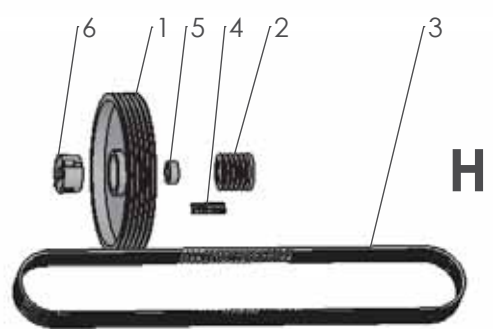
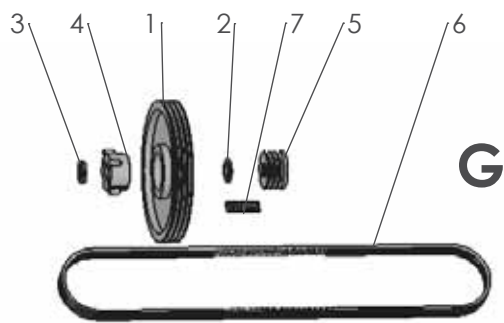
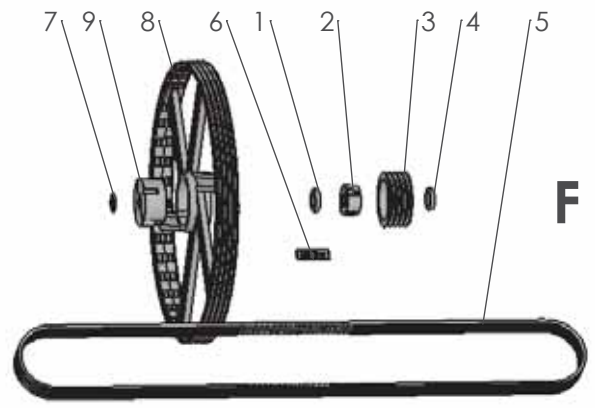
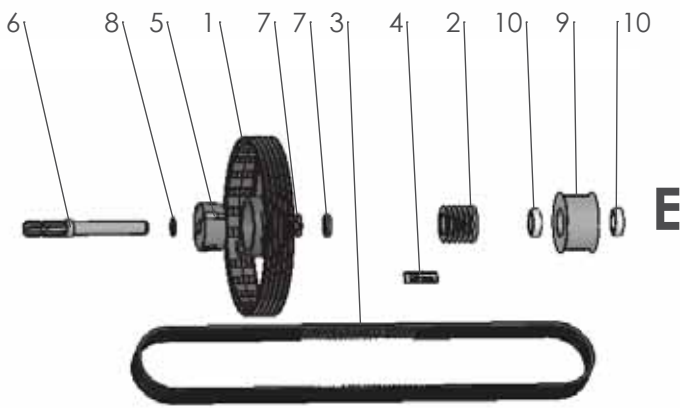
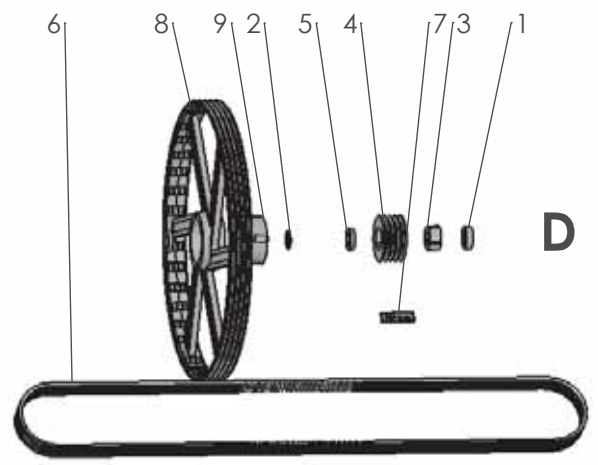
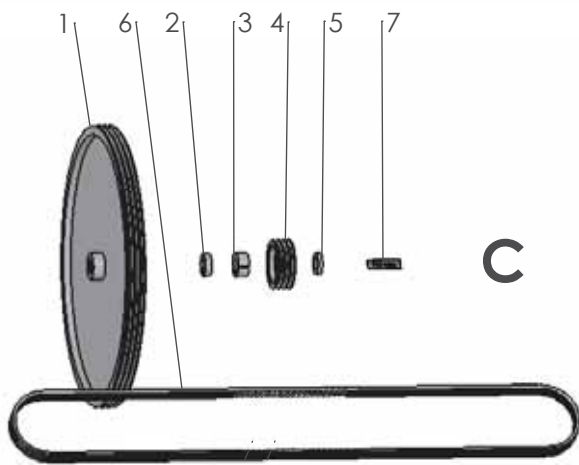
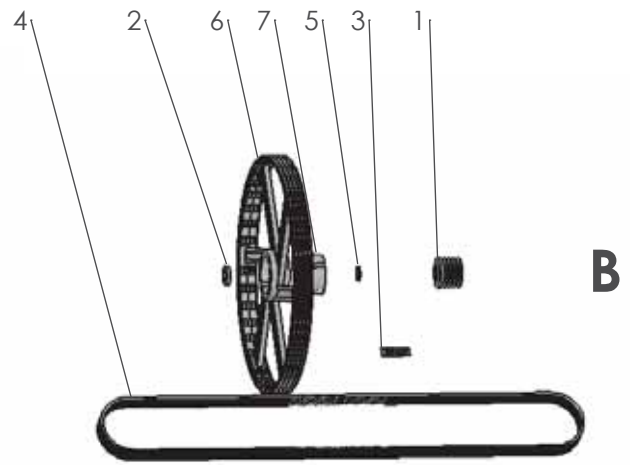
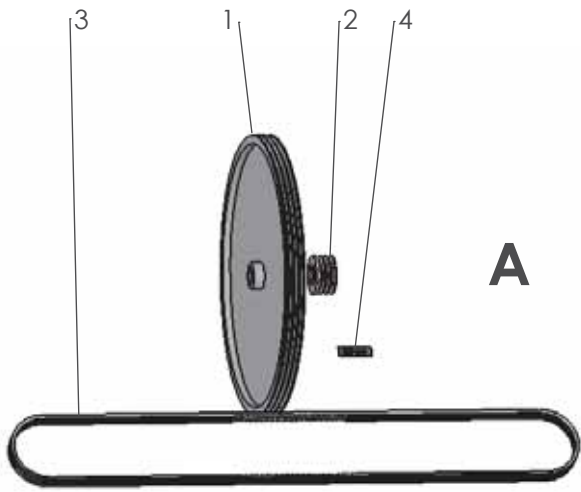
Pos nr/ Ref No	Detalj nr/ Part No	Benämning	Description
1186A	4165 20686 00	KILREMSKIVESATS 3 REMMAR 540 RPM, S4812	V-BELT PULLEY SET 3 BELTS 540 RPM, S4812
1	4165 99636 00	Kilremskiva SPZ-3, Dd=630	V-belt pulley SPZ-3, Dd=630
2	4165 99634 00	Kilremskiva SPZ-3, Dd=83	V-belt pulley SPZ-3, Dd=83
3	4165 99944 00	Kilremsats, 3st SPZ 2800	V-belt set, 3pcs SPZ 2800
4	4165 17120 00	Dekal: 540 rpm	Decal: 540 rpm

Pos nr/ Ref No	Detalj nr/ Part No	Benämning	Description
1186B	4165 22040 00	KILREMSKIVESATS 4 REMMAR 540 RPM, S4818-4824	V-BELT PULLEY SET 4 BELTS 540 RPM, S4818-4824
1	4165 22079 00	Kilremskiva SPZ-4, Dd=76	V-belt pulley SPZ-4, Dd=76
2	4165 99905 00	Bricka, Ø30/50x10	Washer, Ø30/50x10
3	4165 17120 00	Dekal: 540 rpm	Decal: 540 rpm
4	4165 99904 00	Kilremsats, 4st SPZ 2800	V-belt set, 4pcs SPZ 2800
5	4165 29156 00	Bricka PS 30x42x2 DIN 988	Washer DIN 988-30x42x2.0
6	4165 28662 00	Kilremskiva SPZ-4, Dd=630	V-belt pulley SPZ-4, Dd=630
7	4165 28666 00	Klämbussning, Ø30	Taper Bushing, Ø30

Pos nr/ Ref No	Detalj nr/ Part No	Benämning	Description
1186C	4165 99641 00	KILREMSKIVESATS 3 REMMAR 700 RPM, S4812	V-BELT PULLEY SET 3 BELTS 700 RPM, S4812
1	4165 99636 00	Kilremskiva SPZ-3, Dd=630	V-belt pulley SPZ-3, Dd=630
2	4165 99906 00	Bricka, Ø30/50x15	Washer, Ø30/50x15
3	4165 99901 00	Klämbussning, Ø30	Taper bushing, Ø30
4	4165 99635 00	Kilremskiva SPZ-3, Dd=106	V-belt pulley SPZ-3, Dd=106
5	4165 99905 00	Bricka, Ø30/50x10	Washer, Ø30/50x10
6	4165 99944 00	Kilremsats, 3st SPZ 2800	V-belt set, 3pcs SPZ 2800
7	4165 99988 00	Dekal: 700 rpm	Decal: 700 rpm

Pos nr/ Ref No	Detalj nr/ Part No	Benämning	Description
1186D	4165 99900 00	KILREMSKIVESATS 4 REMMAR 700 RPM, S4818-4824	V-BELT PULLEY SET 4 BELTS 700 RPM, S4818-4824
1	4165 99906 00	Bricka, Ø30/50x15	Washer, Ø30/50x15
2	4165 29156 00	Bricka PS 30x42x2 DIN 988	Washer DIN 988-30x42x2.0
3	4165 99901 00	Klämbussning, Ø30	Taper bushing, Ø30
4	4165 99902 00	Kilremskiva SPZ-4, Dd=100	V-belt pulley SPZ, Dd=100
5	4165 99905 00	Bricka, Ø30/50x10	Washer, Ø30/50x10
6	4165 99904 00	Kilremsats, 4st SPZ 2800	V-belt set, 4pcs SPZ 2800
7	4165 99988 00	Dekal: 700 rpm	Decal: 700 rpm
8	4165 28662 00	Kilremskiva SPZ-4, Dd=630	V-belt pulley SPZ-4, Dd=630
9	4165 28666 00	Klämbussning, Ø30	Taper Bushing, Ø30

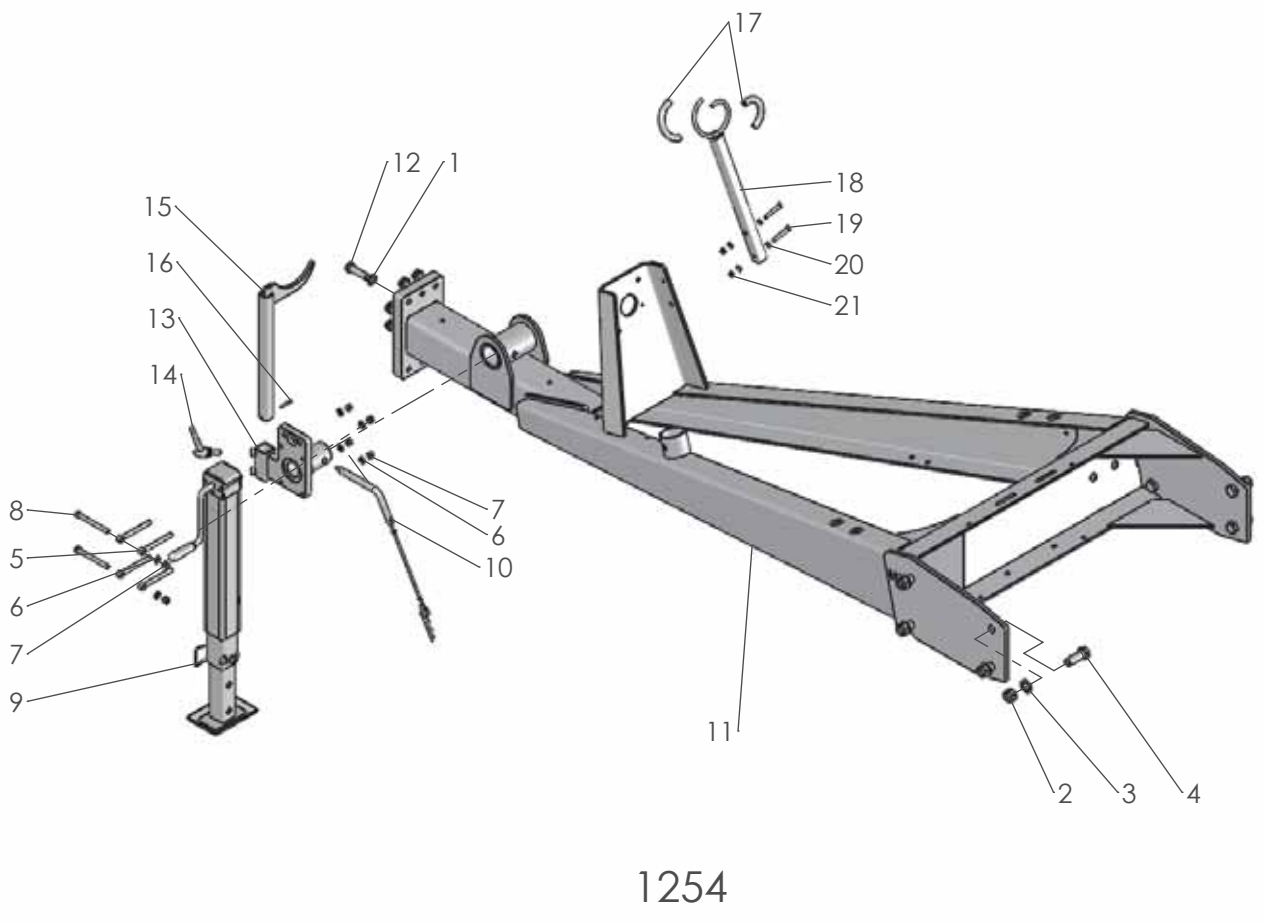
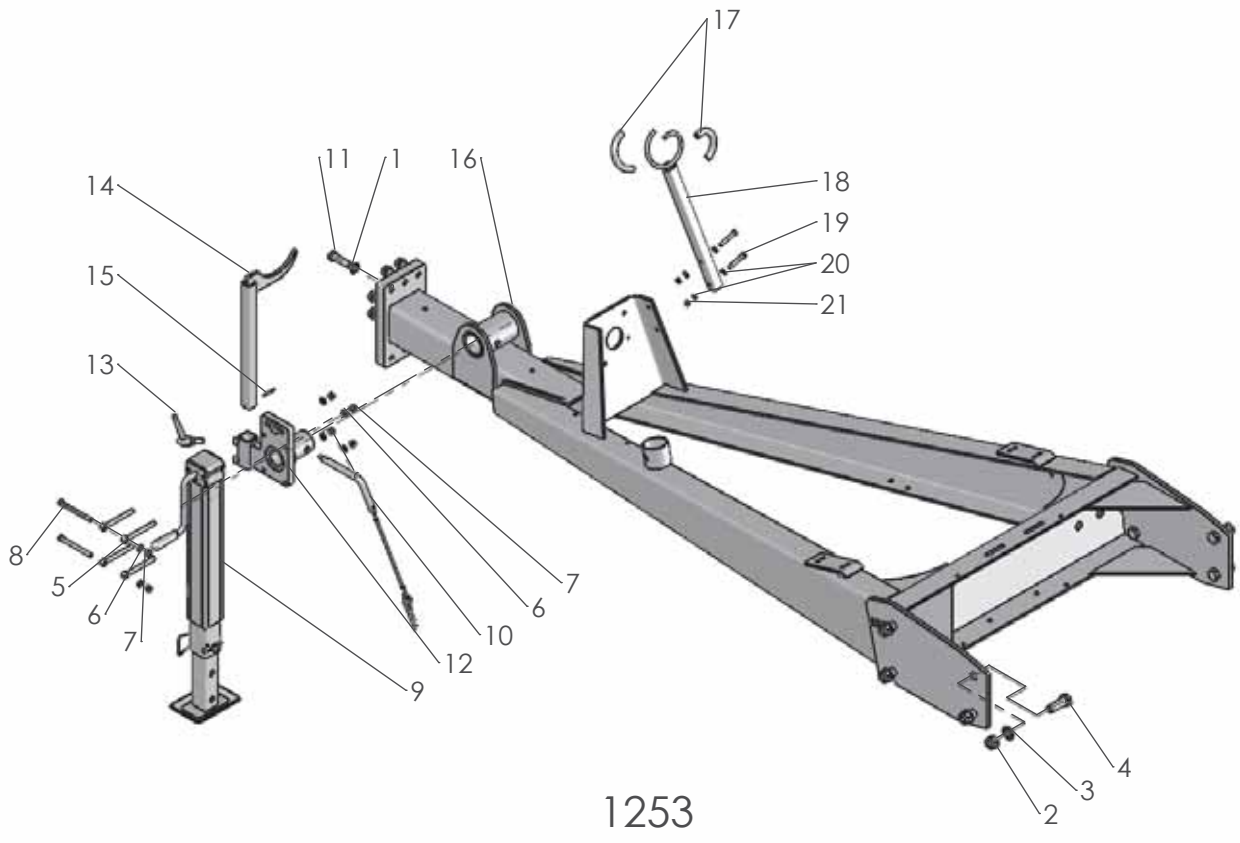
Pos nr/ Ref No	Detalj nr/ Part No	Benämning	Description
1186E	4165 29318 00	KILREMSKIVESATS 5 REMMAR 825 RPM, S4812	V-BELT PULLEY SET 5 BELTS 825 RPM, S4818-4824
1	4165 29317 00	Kilremskiva SPZ-5, Dd=400	V-belt pulley SPZ-5, Dd=400
2	4165 99776 00	Kilremskiva SPZ-5, Dd=79	V-belt pulley SPZ-5, Dd=79
3	4165 29320 00	Kilremsats, 5st SPZ 2287	V-belt set, 5pcs SPZ 2287
4	4165 20649 00	Dekal: 825 rpm	Decal: 825 rpm
5	4165 28666 00	Klämbussning, Ø30	Taper Bushing, Ø30
6	4165 99872 00	Drivaxel	Drive shaft
7	4165 99921 00	Bricka, Ø30/50x8 (Distansring)	Washer, Ø30/50x8 (Spacer)
8	4165 29156 00	Bricka PS 30x42x2 DIN 988	Washer DIN 988-30x42x2.0
9	4165 99833 00	Spännrulle, 5-remmar	Tightening pulley
10	4738 22 06 21	Kullager 6206-2RS1 WT	Ballbearing 6206-2RS1 WT



Pos nr/ Ref No	Detalj nr/ Part No	Benämning	Description
1186F	4165 20650 00	KILREMSKIVESATS 4 REMMAR 825 RPM, S4818-4824	V-BELT PULLEY SET 4 BELTS 825 RPM, S4818-4824
1	4165 20646 00	Bricka, Ø30/50x11	Washer, Ø30/50x11
2	4165 20648 00	Klämbussning, Ø30	Taper Bushing, Ø30
3	4165 20647 00	Kilremskiva SPZ-4, Dd=118	V-belt pulley SPZ-4, Dd=118
4	4165 99905 00	Bricka, Ø30/50x10	Washer, Ø30/50x10
5	4165 99904 00	Kilremskiva, 4st SPZ 2800	V-belt set, 4pcs SPZ 2800
6	4165 20649 00	Dekal: 825 rpm	Decal: 825 rpm
7	4165 29156 00	Bricka PS 30x42x2 DIN 988	Washer DIN 988-30x42x2.0
8	4165 28662 00	Kilremskiva SPZ-4, Dd=630	V-belt pulley SPZ-4, Dd=630
9	4165 28666 00	Klämbussning, Ø30	Taper Bushing, Ø30

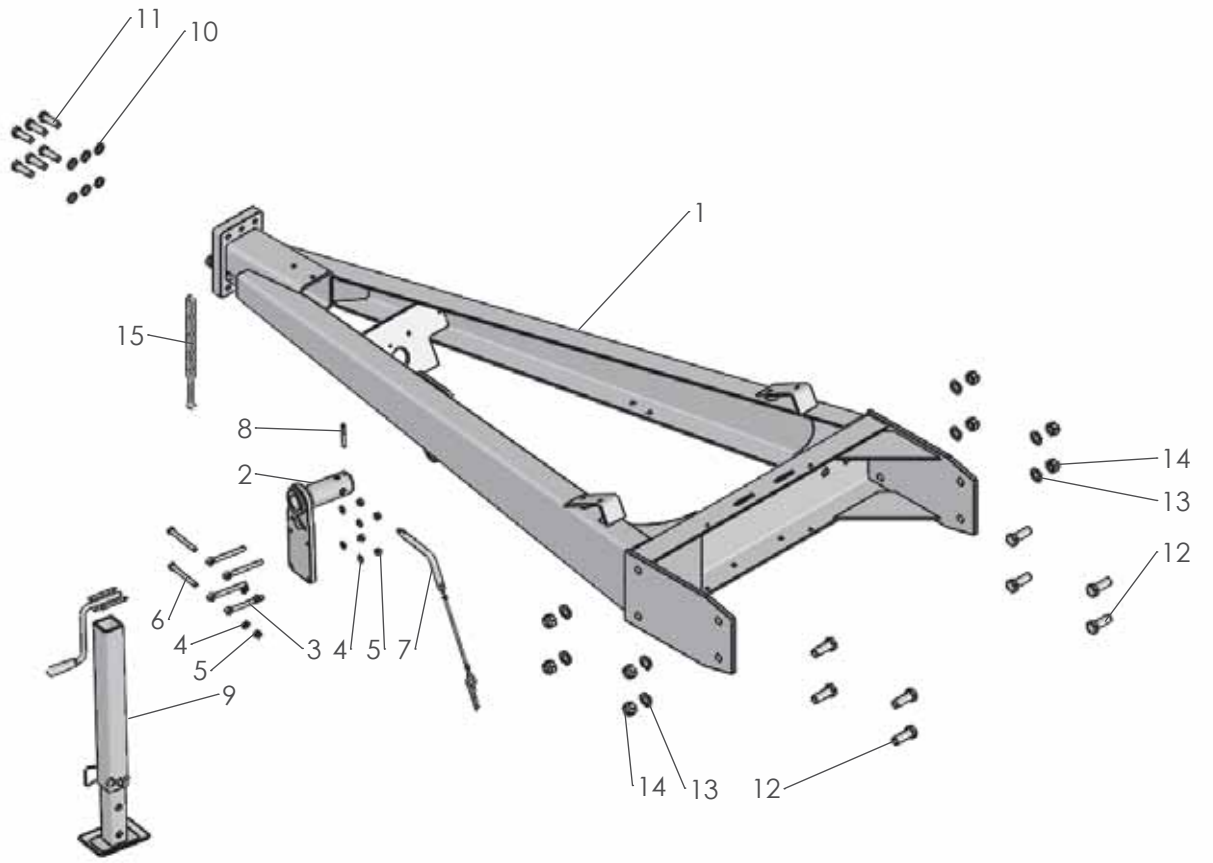
Pos nr/ Ref No	Detalj nr/ Part No	Benämning	Description
1186G	4165 99642 00	KILREMSKIVESATS 3 REMMAR 1000 RPM, S4812	V-BELT PULLEY SET 3 BELTS 1000 RPM, S4812
1	4165 99919 00	Kilremskiva SPZ-3, Dd=315	V-belt pulley SPZ-3, Dd=315
2	4165 99920 00	Bricka, Ø30/50x7 (Distansring)	Washer, Ø30/50x7 (Spacer)
3	4165 99921 00	Bricka, Ø30/50x8 (Distansring)	Washer, Ø30/50x8 (Spacer)
4	4165 99914 00	Klämbussning, Ø30	Taper Bushing, Ø30
5	4165 14115 00	Kilremskiva SPZ-3, Dd=79	V-belt pulley SPZ-3, Dd=79
6	4165 99640 00	Kilremskiva, 3st SPZ 2160	V-belt set, 3pcs SPZ 2160
7	4165 17124 00	Dekal: 1000 rpm	Decal: 1000 rpm

Pos nr/ Ref No	Detalj nr/ Part No	Benämning	Description
1186H	4165 21491 00	KILREMSKIVESATS 5 REMMAR 1000 RPM, S4818-4824	V-BELT PULLEY SET 5 BELTS 1000 RPM, S4818-4824
1	4165 99777 00	Kilremskiva SPZ-5, Dd=355	V-belt pulley SPZ-5, Dd=355
2	4165 99776 00	Kilremskiva SPZ-5, Dd=79	V-belt pulley SPZ-5, Dd=79
3	4165 99828 00	Kilremskiva, 5st SPZ 2240	V-belt set, 5pcs SPZ 2240
4	4165 17124 00	Dekal: 1000 rpm	Decal: 1000 rpm
5	4165 99871 00	Bricka, Ø30/50x19,5	Washer, Ø30/50x19,5
6	4165 99914 00	Klämbussning, Ø30	Taper Bushing, Ø30

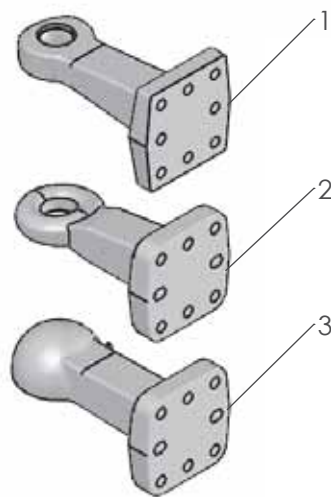


Pos nr/ Ref No	Detalj nr/ Part No	Benämning	Description
1253 Ö	33656	DRAG, STANDARD	DRAWBAR, STANDARD CHASSI
1	4734 11 86 01	Bricka BRB 17x30 FZB	Washer ISO 7089 - 16
2	4732 21 26 90	Mutter M6M 20 NF A2-80	Nut DIN 985 - M20 A2
3	4734 11 92 07	Bricka BRB 21x 37 FZV	Washer ISO 7089 - 20 FZV
4	4725 26 75 57	Skruv M6S 20x 55- 8.8 FZV	Bolt ISO 4014 - M20 x 55
5	4165 23554 00	Länkskruv, M10x110	Eye bolt, M10x110
6	4734 11 73 07	Bricka BRB 10,5x 20 FZV	Washer ISO 7089 - 10
7	4732 21 20 51	Mutter M6M 10- 8 NF FZB	Nut ISO 7040-M10-8-NF FZB
8	4725 25 13 57	Skruv M6S 10x110- 8.8 FZV	Bolt ISO 4014 - M10 x 110
9	4165 24379 00	Stödben, Tyskland	Support leg, Germany
10	4165 85459 00	Låspinne Ø16x151, komplett	Locking pin Ø16x151, cpl
11	4725 26 32 81	Skruv M6S 16x 60-10.9 MW	Bolt ISO 4014 M16x60-10.9 MW
12	4165 33562 40	Stödbensfäste, standard	Support leg bracket, standard
13	4165 34423 00	Ställbar låsspak, M12x25	Adjustable locking lever, M12x25
14	4165 34459 40	PTO-stöd	PTO-support
15	4721 43 16 40	Fjädrande rörpinne FRP 5x 40 RFS	Spring Pin ISO 8752 - 5 x 40 - St
16	4165 33549 40	Drag, standard	Draw bar, standard
17	4165 17312 00	Plastslang, Ø10/16 L=165	Plastic hose, Ø10/16 L=165
18	4165 34568 40	Slanghållare	Hose bracket
19	4725 24 62 40	Skruv M6S 8x 55 A2-80	Bolt ISO 4014 - M8 x 55 A2-80
20	4734 11 64 09	Bricka BRB 8,4x 16 A2	Washer ISO 7089- 8 A2
21	4732 21 18 90	Mutter M6M 8 NF A2-80	Nut DIN 985 - M8 A2

Pos nr/ Ref No	Detalj nr/ Part No	Benämning	Description
1254 Ö	33656	DRAG, HÖGT CHASSI	DRAWBAR, HIGH CHASSI
1	4734 11 86 01	Bricka BRB 17x30 FZB	Washer ISO 7089 - 16
2	4732 21 26 90	Mutter M6M 20 NF A2-80	Nut DIN 985 - M20 A2
3	4734 11 92 07	Bricka BRB 21x 37 FZV	Washer ISO 7089 - 20 FZV
4	4725 26 75 57	Skruv M6S 20x 55- 8.8 FZV	Bolt ISO 4014 - M20 x 55
5	4165 23554 00	Länkskruv, M10x110	Eye bolt, M10x110
6	4734 11 73 07	Bricka BRB 10,5x 20 FZV	Washer ISO 7089 - 10
7	4732 21 20 51	Mutter M6M 10- 8 NF FZB	Nut ISO 7040-M10-8-NF FZB
8	4725 25 13 57	Skruv M6S 10x110- 8.8 FZV	Bolt ISO 4014 - M10 x 110
9	4165 24379 00	Stödben, Tyskland	Support leg, Germany
10	4165 85459 00	Låspinne Ø16x151, komplett	Locking pin Ø16x151, cpl
11	4165 33554 40	Drag, högt chassi	Draw bar, high chassi
12	4725 26 32 81	Skruv M6S 16x 60-10.9 MW	Bolt ISO 4014 M16x60-10.9 MW
13	4165 33562 40	Stödbensfäste, standard	Support leg bracket, standard
14	4165 34423 00	Ställbar låsspak, M12x25	Adjustable locking lever, M12x25
15	4165 34459 40	PTO-stöd	PTO-support
16	4721 43 16 40	Fjädrande rörpinne FRP 5x 40 RFS	Spring Pin ISO 8752 - 5 x 40 - St
17	4165 17312 00	Plastslang, Ø10/16 L=165	Plastic hose, Ø10/16 L=165
18	4165 34568 40	Slanghållare	Hose bracket
19	4725 24 62 40	Skruv M6S 8x 55 A2-80	Bolt ISO 4014 - M8 x 55 A2-80
20	4734 11 64 09	Bricka BRB 8,4x 16 A2	Washer ISO 7089- 8 A2
21	4732 21 18 90	Mutter M6M 8 NF A2-80	Nut DIN 985 - M8 A2



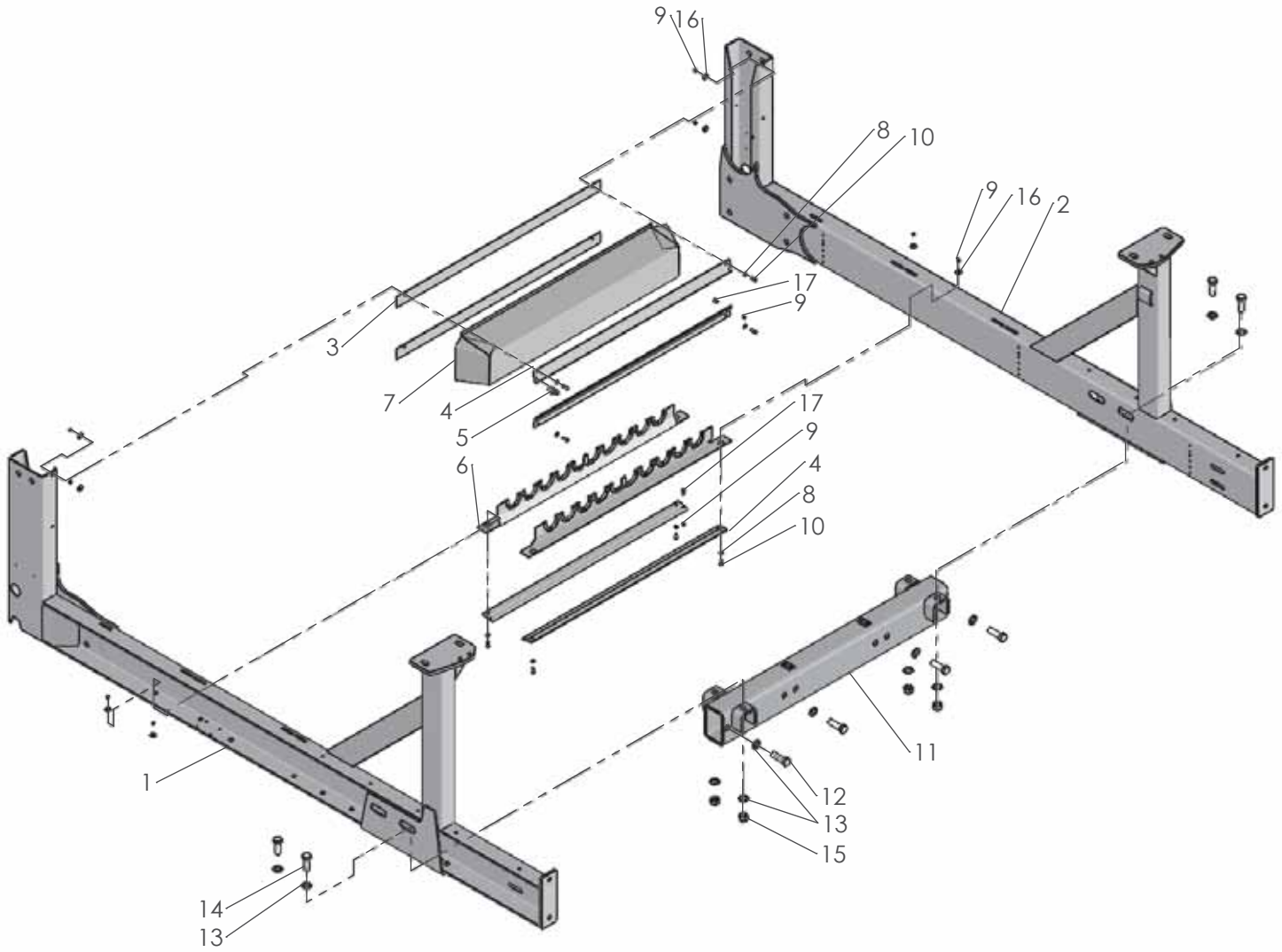
1192



1255

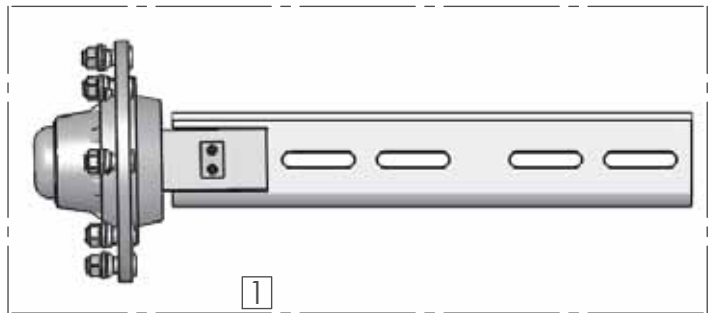
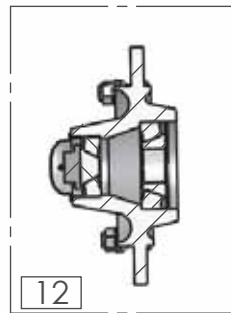
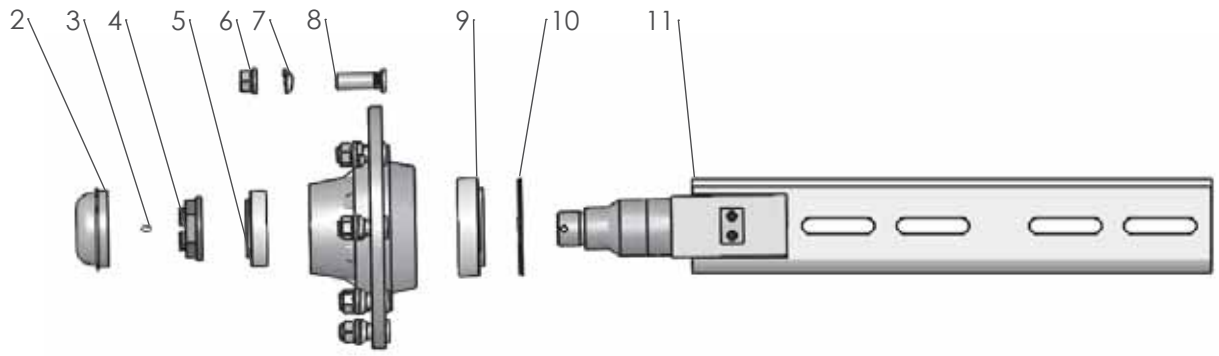
Pos nr/ Ref No	Detalj nr/ Part No	Benämning	Description
1192 Ö	33396	DRAG TYSKLAND	DRAWBAR GERMANY
1	4165 24150 40	Drag för Tyskland	Drawbar for Germany
2	4165 24478 00	Stödbensfäste, runt	Parking jack bracket
3	4165 23554 00	Länkskruv, M10x110	Eye bolt, M10x110
4	4734 11 73 07	Bricka BRB 10,5x 20 FZV	Washer ISO 7089 - 10
5	4732 21 20 51	Mutter M6M 10- 8 NF FZB	Nut ISO 7040-M10-8-NF FZB
6	4725 25 13 57	Skruv M6S 10x110- 8.8 FZV	Bolt ISO 4014 - M10 x 110
7	4165 85459 00	Låspinne Ø16x151, komplett	Locking pin Ø16x151, cpl
8	4721 43 89 40	Fjädrande rörpinne FRP 8x 70 RFS	Spring pin ISO 8752 8x 70 RFS
9	4165 24379 00	Stödben, Tyskland	Support leg, Germany
10	4734 11 86 01	Bricka BRB 17x30 FZB	Washer ISO 7089 - 16
11	4725 26 30 81	Skruv M6S 16x 50-10.9 MW	Bolt ISO 4014 - M16 x 50-10.9 MW
12	4725 26 75 57	Skruv M6S 20x 55- 8.8 FZV	Bolt ISO 4014 - M20 x 55
13	4734 11 92 07	Bricka BRB 21x 37 FZV	Washer ISO 7089 - 20 FZV
14	4732 21 26 90	Mutter M6M 20 NF A2-80	Nut DIN 985 - M20 A2
15	4165 11183 39	Stegstropp	Rubber strap

Pos nr/ Ref No	Detalj nr/ Part No	Benämning	Description
1255 Ö		DRAGÖGLA	TOWING EYE
1	4165 22978 00	Dragögla Ø40, bultad	Towing eye Ø40, bolted
2	300007625	Dragögla Ø50, bultad	Towing eye Ø50, bolted
3	372006208	Kulkoppling K80, bultad	Towing eye K80, bolted

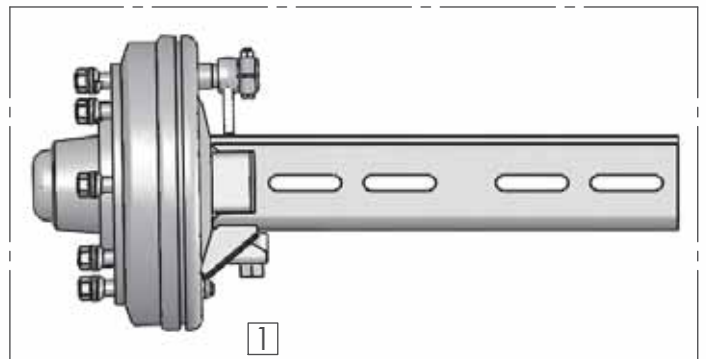
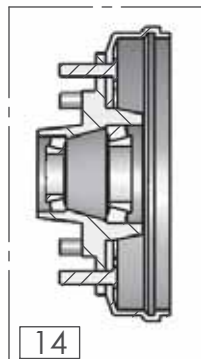
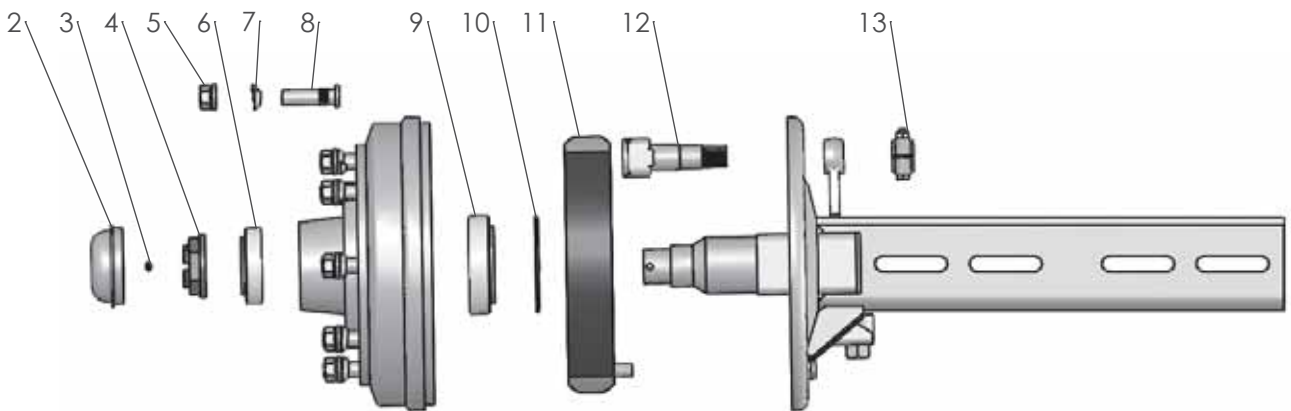


1193

Pos nr/ Ref No	Detalj nr/ Part No	Benämning	Description
1193 Ö	33389	BÄRVAGNSRAM	SUPPORTING FRAME
1	4165 98010 40	Rambalk vänster, kompl	Frame left, cpl
2	4165 98011 40	Rambalk höger, kompl	Frame right, cpl
3	4165 22435 00	Styrlist	Guide strip
4	4165 22301 00	Skena	Straight track
5	4165 23008 00	Karbinhake	Snap link
6	4165 31532 00	Slangstyrning, kompl	Hose guide, cpl
7	4165 22297 00	Tömningstråg komplett	Emptying trough
8	4734 11 64 09	Bricka BRB 8,4x 16 A2	Washer ISO 7089- 8 A2
9	4731 23 18 40	Mutter M6M 8 A2-80	Nut ISO - 4032 - M8 A2-80
10	4725 24 51 40	Skruv M6S 8x 20 A2-80	Bolt ISO 4014 - M8 x 20 A2-80
11	4165 14123 70	Hjulaxel, kompl	Wheel axle, cpl
12	4725 26 77 57	Skruv M6S 20x 65- 8.8 FZV	Bolt ISO 4014 - M20 x 65
13	4734 11 92 07	Bricka BRB 21x 37 FZV	Washer ISO 7089 - 20 FZV
14	4725 26 75 57	Skruv M6S 20x 55- 8.8 FZV	Bolt ISO 4014 - M20 x 55
15	4732 21 26 51	Mutter M6M 20- 8 NF FZB	Nut ISO 7040-M20-8-NF FZB
16	4734 11 64 49	Bricka DIN 9021 8,4x24 A2	Washer DIN 9021 - 8.4
17	4725 24 49 40	Skruv M6S 8x 16 A2-80	Bolt ISO 4014 - M8 x 16 A2



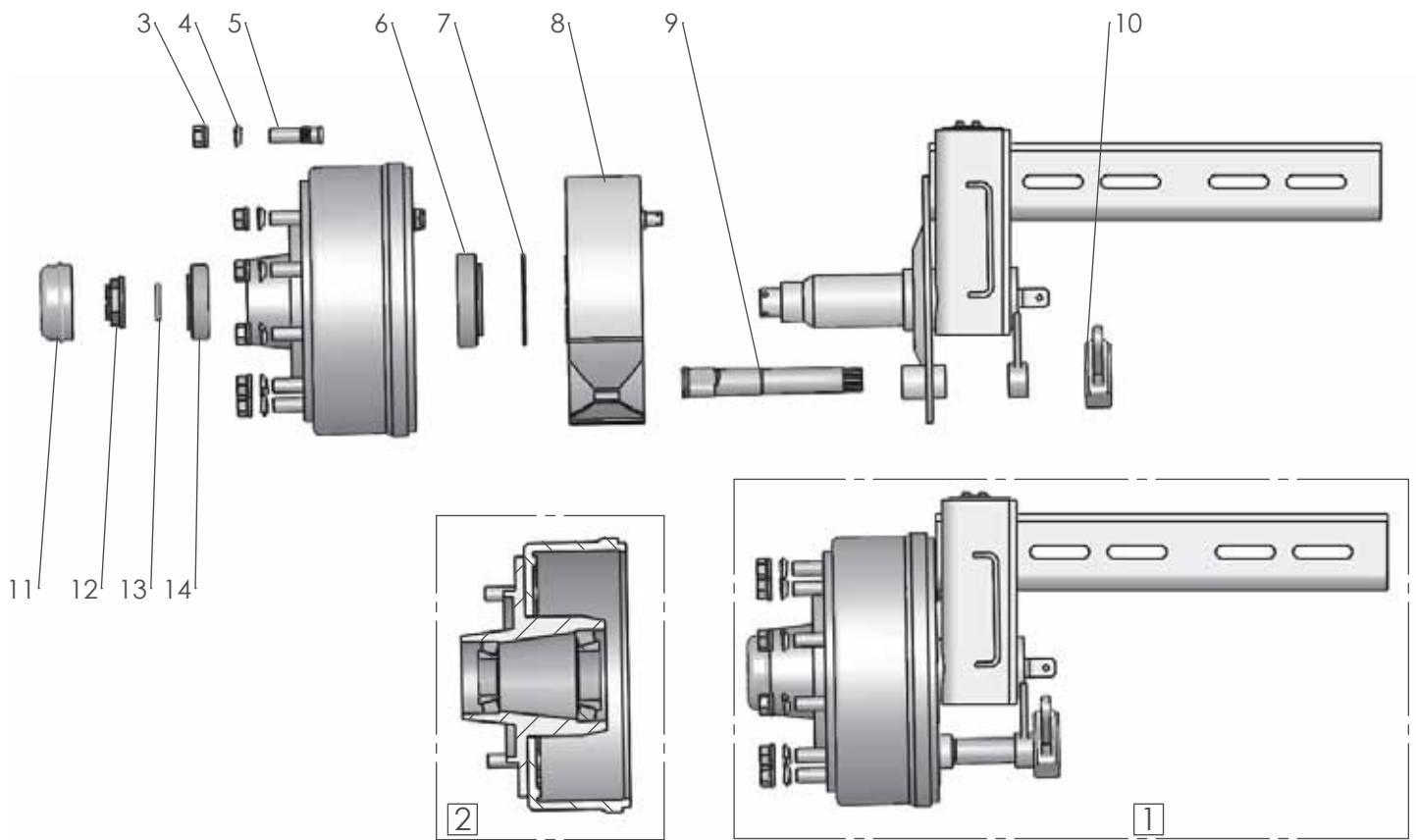
1021



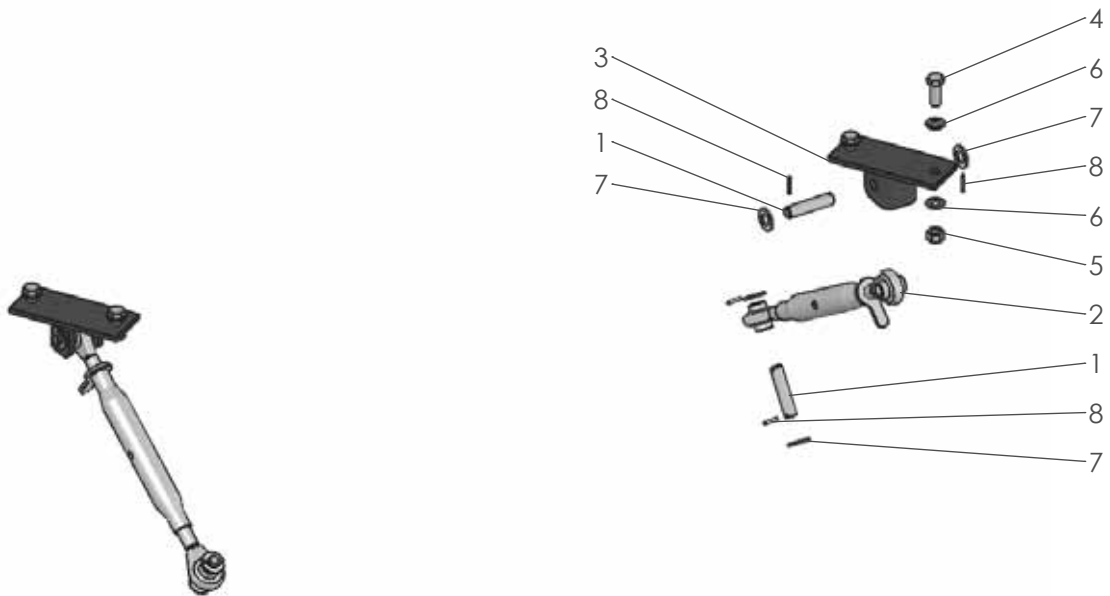
1022

Pos nr/ Ref No	Detalj nr/ Part No	Benämning	Description
1021 Ö	21863	YTTERAXEL H&V, OBROMSAD	OUTER AXLE RH&LH, WITHOUT WHEEL BREAK
1	4165 21863 00	Ytteraxel hv, komplett	Outer axle
2	4165 22144 00	Navkapsel, Ø100,5	Hub cap, Ø100,5
3	4721 62 35 01	Saxpinne SP 6,3x 63 FZB	Split pin ISO 1234-6.3x63 FZB
4	4165 21915 00	Kronmutter, M45x2	Castel nut, M45x2
5	4738 42 11 20	Koniskt rullager, 32211	Taper roller bearing, 32211
6	4165 19317 70	Navmutter, M20x1,5	Hub nut, M20x1,5
7	4165 21916 00	Navbricka, Ø34/20,5x8	Hub washer, Ø34/20,5x8
8	4165 98807 00	Navskruv, M20x1,5x60-10.9	Hub screw, M20x1,5x60-10.9
9	4738 42 15 20	Koniskt rullager, 32215	Taper roller bearing, 32215
10	4165 21913 00	Tätningbricka, Ø75/130	Sealing washer, Ø75/130
11	4165 24995 50	Ytteraxel, HV	Outer axle, LH & RH
12	4165 21861 50	Hjulnav komplett, 8-bult	Wheel hub cpl, 8-bolts

Pos nr/ Ref No	Detalj nr/ Part No	Benämning	Description
1022 Ö	21974	YTTERAXEL H&V, BROMSAD	AXLE RH&LH WITH WHEEL BREAK
1	4165 21974 50	Ytteraxel bromsad	Axle with wheel brake
2	4165 22144 00	Navkapsel, Ø100,5	Hub cap, Ø100,5
3	4721 62 35 01	Saxpinne SP 6,3x 63 FZB	Split pin ISO 1234-6.3x63 FZB
4	4165 21915 00	Kronmutter, M45x2	Castel nut, M45x2
5	4165 19317 70	Navmutter, M20x1,5	Hub nut, M20x1,5
6	4738 42 11 20	Koniskt rullager, 32211	Taper roller bearing, 32211
7	4165 21916 00	Navbricka, Ø34/20,5x8	Hub washer, Ø34/20,5x8
8	4165 25384 00	Navskruv, M20x1,5x71	Hub bolt, M20x1,5x71
9	4738 42 15 20	Koniskt rullager, 32215	Taper roller bearing, 32215
10	4165 21913 00	Tätningbricka, Ø75/130	Sealing washer, Ø75/130
11	4165 23915 00	Bromsbackar, reservdel	Brake shoe, sparepart
12	4165 23916 00	Bromsaxel, reservdel	Brake axle, sparepart
13	4165 23361 50	Bromsarm, bearbetad	Brake lever arm
14	4165 23914 00	Nav med lager och skruv	Hub with bearings and bolts



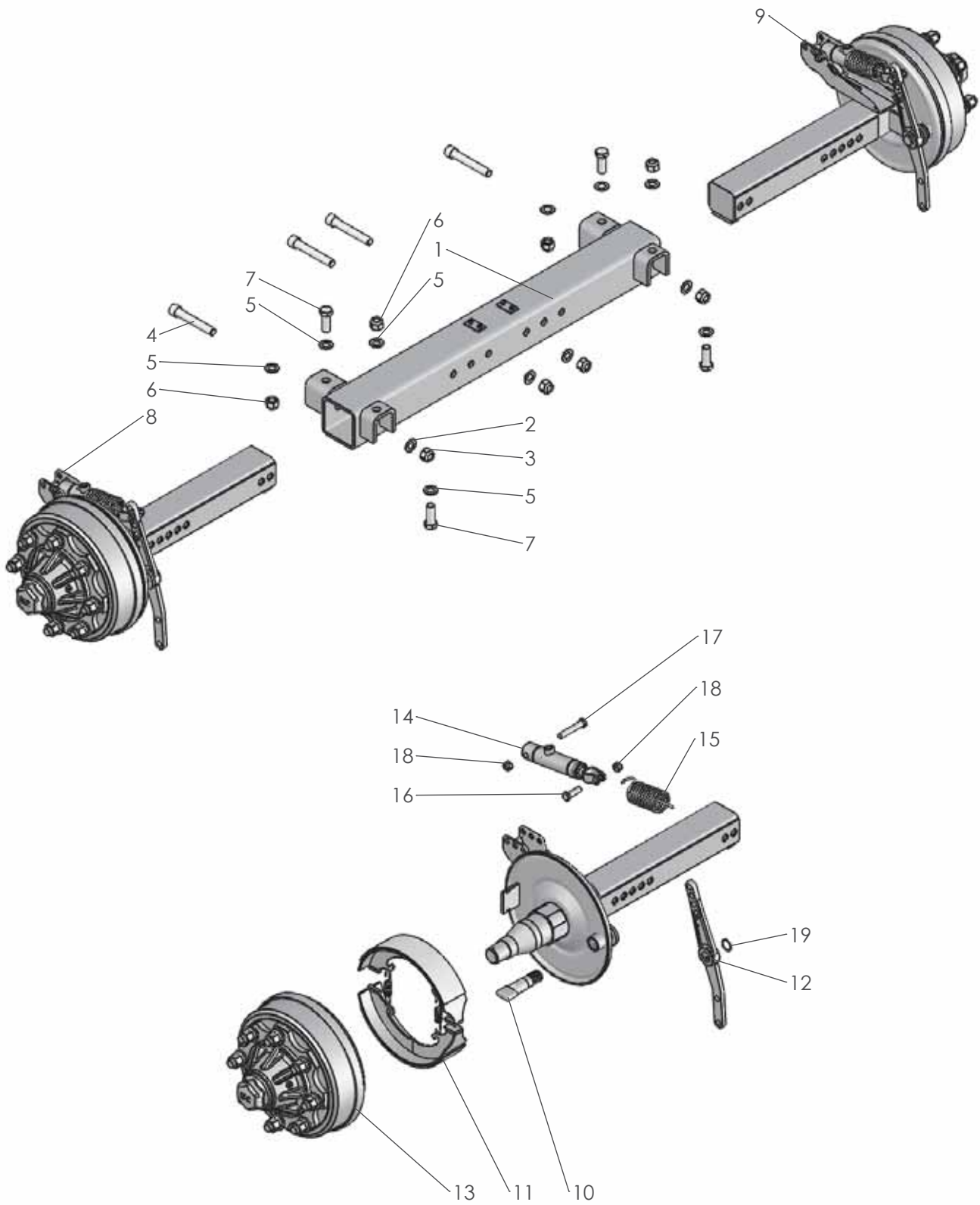
1187



1412

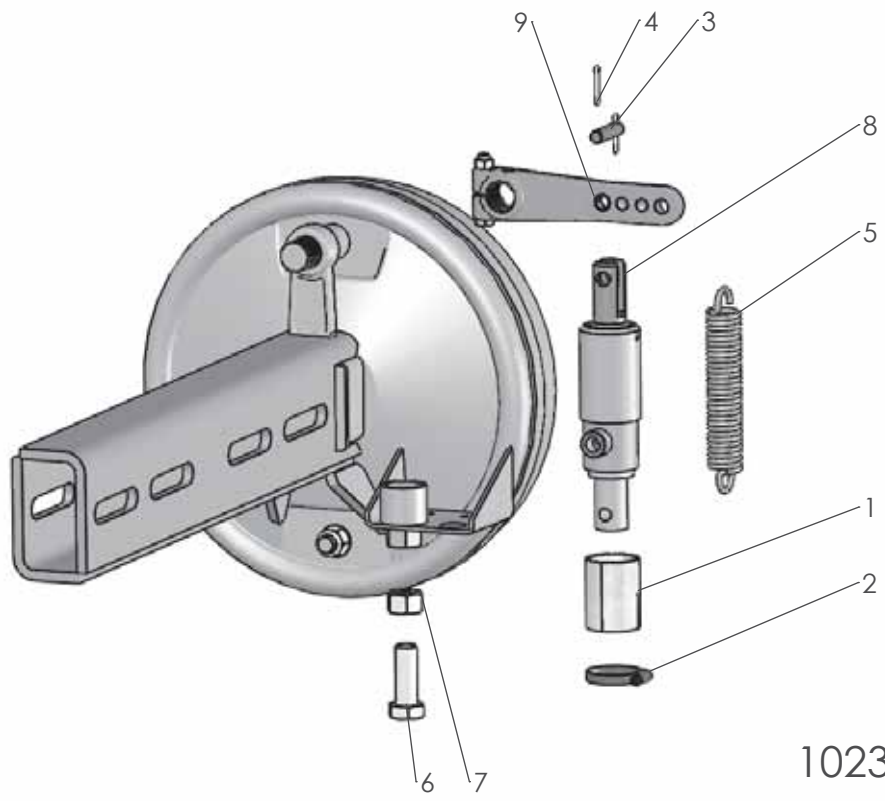
Pos nr/ Ref No	Detalj nr/ Part No	Benämning	Description
1187 Ö	25490	YTTERAXEL H&V, BROMSAD	OUTER AXLE RH&LH, WHITH WHEEL BREAK
1	4165 25490 50	Bromsaxel, kpl	Axle with wheel brakes
2	4165 24437 00	Bromstrumma kpl m lager o skruv	Break drum cpl w bearings and bolts
3	4165 24439 00	Navmutter, M22x1,5	Hub nut, M22x1,5
4	4165 24438 00	Navbricka, Ø34/22,5x8	Washer, Ø34/22,5x8
5	4165 24431 00	Navskruv, M22x1,5x79	Hub bolt, M22x1,5x79
6	4738 42 17 20	Koniskt rullager, 32217	Taper roller bearing, 32217
7	4165 24434 00	Tätningbricka, Ø85/150	Sealing washer, Ø85/150
8	4165 24432 00	Bromsbackar, kompl	Brake shoes, cpl
9	4165 24435 00	Bromsaxel	Brake arm axle
10	4165 23549 50	Justerbar bromsarm	Brake lever arm
11	4165 24436 00	Navkapsel, Ø120	Hub cap, Ø120
12	4165 21915 00	Kronmutter, M45x2	Castel nut, M45x2
13	4721 62 34 01	Saxpinne SP 6.3x 56 FZB	Split pin ISO 1234-6.3x56 FZB
14	4738 42 13 20	Koniskt rullager, 32213	Taper roller bearing, 32213

Pos nr/ Ref No	Detalj nr/ Part No	Benämning	Description
1412 Ö	33401	STABILISERINGS UTRUSTNING	STABILISATION EQUIPMENT
1	4165 24468 00	Cylindrisk pinne, Ø19x85	Parallel pin, Ø19x85
2	4165 26300 00	Vantskruv M22, L=400-560	Turnbuckle M22, L=400-560
3	4165 26301 40	Fästbygel, kompl	Bracket, cpl
4	4725 26 28 57	Skruv M6S 16x 40- 8.8 FZV	Bolt ISO 4014 - M16 x 40-8.8
5	4731 23 24 07	Mutter M6M 16- 8 FZV	Nut ISO - 4032 - M16 FZV
6	4734 11 86 09	Bricka BRB 17x 30 A2	Washer ISO 7089 - 16
7	4734 11 92 07	Bricka BRB 21x 37 FZV	Washer ISO 7089 - 20 FZV
8	4721 42 62 01	Fjädrande rörpinne FRP 4x 32 FZB	Spring Pin ISO 8752 - 4 x 32 FZB

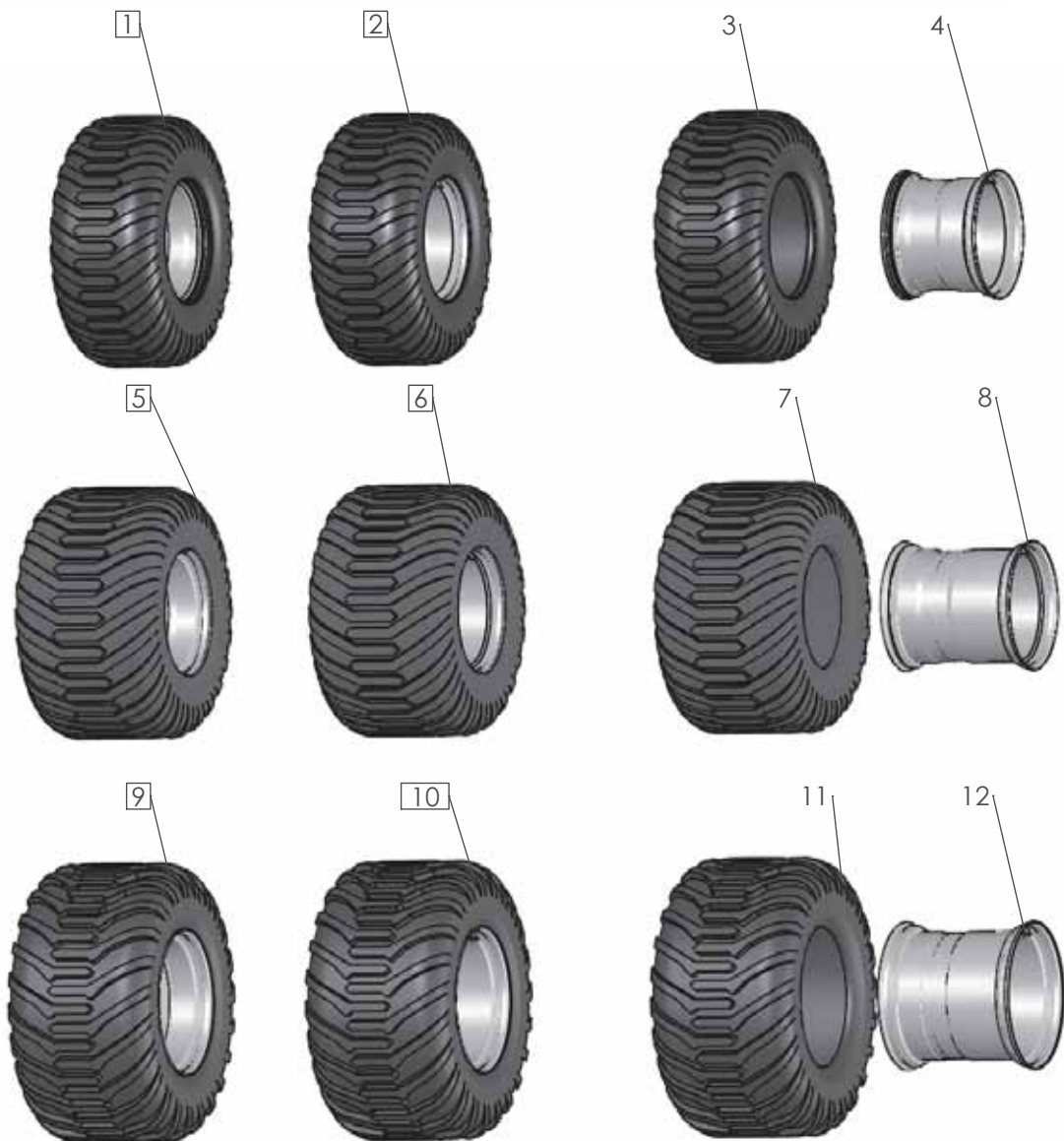


1259

Pos nr/ Ref No	Detalj nr/ Part No	Benämning	Description
1259 Ö	32786	HJULAXEL, FR	WHEEL AXLE, FR
1	4165 32785 40	Hjulaxel S, kompl FR	Wheel axle S, cpl FR
2	4734 11 92 01	Bricka BRB 21x 37 FZB	Washer ISO 7089-M20-200 HV
3	4165 03650 07	Mutter M6M 20 NF-10 MW	Nut ISO-7040-M20-10 MW
4	4725 56 90 81	MC6S 20x130-10.9 MW	Screw ISO 4762 M20 x 130-10.9 MW
5	4734 11 92 07	Bricka BRB 21x 37 FZV	Washer ISO 7089 - 20 FZV
6	4732 21 26 51	Mutter M6M 20- 8 NF FZB	Nut ISO 7040-M20-8-NF FZB
7	4725 26 75 57	Skruv M6S 20x 55- 8.8 FZV	Bolt ISO 4014 - M20 x 55
8	4165 32740 50	Bromsad hjulaxel v, FR	Break wheel axle LH, FR
9	4165 32965 50	Bromsad hjulaxel h, FR	Break wheel axle RH, FR
10	4165 32743 50	Ecentersaxel	Excenter axle
11	4165 32777 00	Bromsbackar	Break shoe
12	4165 32946 50	Bromsarm, kompl	Break lever, cpl
13	4165 32812 50	Bromstrumma, kompl	Brake drum, comp
14	4165 32822 00	Bromscylinder	Break cylinder
15	4165 32823 00	Returfjäder	Return spring
16	4165 35351 00	Skruv M14x45	Bolt M14x45
17	4165 35352 00	Skruv M14x80	Bolt M14x80
18	4165 35353 00	Låsmutter M14	Locking nut M14
19	4735 31 30 01	Spårring SgA 30 FZB	Circlip DIN 471 - 30 x 1.5



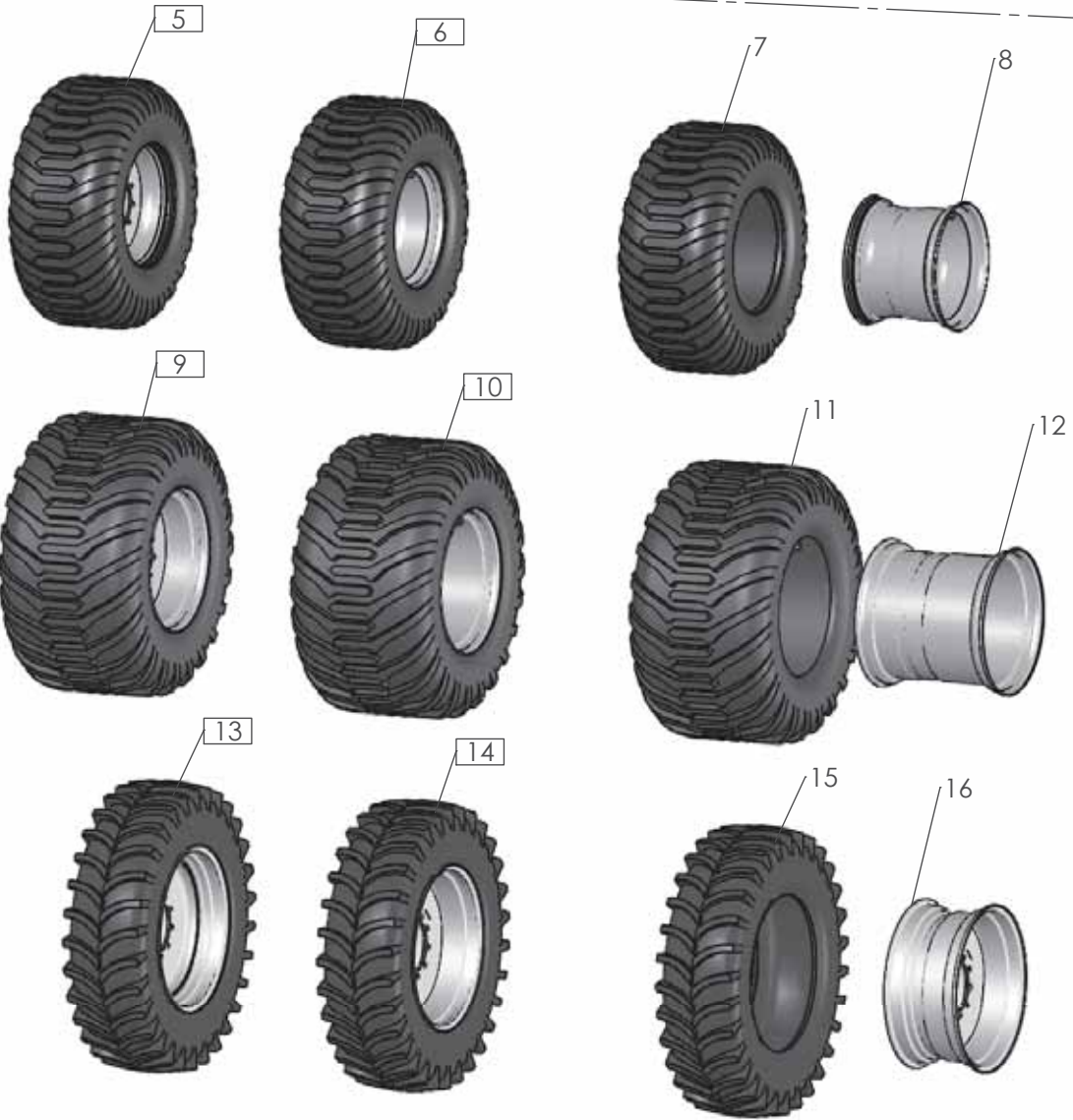
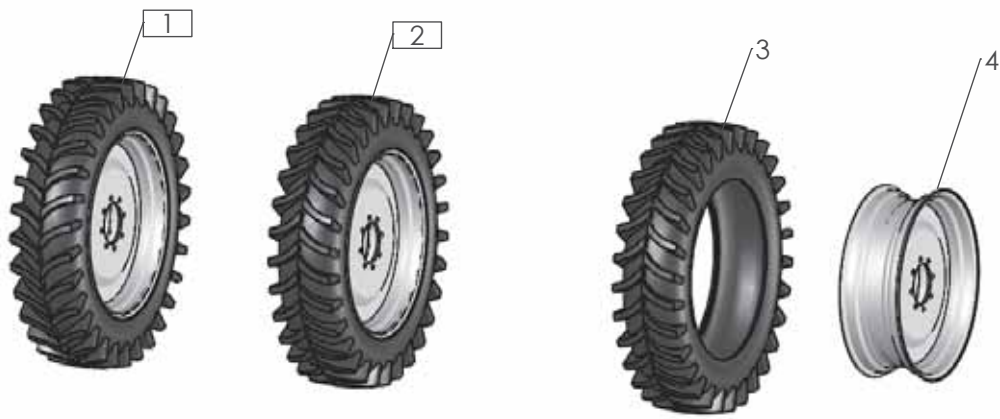
1023



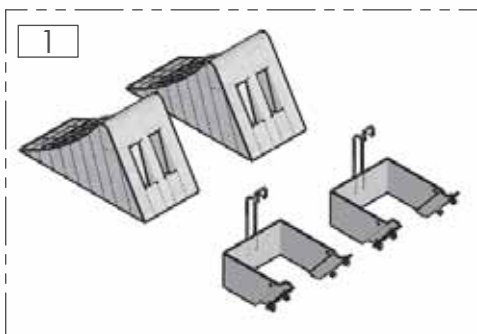
1024

Pos nr/ Ref No	Detalj nr/ Part No	Benämning	Description
1023 Ö	21974	HYDRAULISK BROMS	HYDRAULIC BREAK
1	4165 16746 00	Styrning för bromscylinder	Guide for break cylinder
2	4165 19520 00	Slangklämma, Ø50-70	Hose clamp, Ø50-70
3	4165 16671 00	Cylindrisk pinne, Ø12x50	Parallel pin, Ø12x50
4	4721 61 97 40	Saxpinne SP 4x 25 A2	Split pin ISO 1234-4x25
5	4165 10096 12	Dragfjäder	Spring
6	4725 26 75 57	Skruv M6S 20x 55- 8.8 FZV	Bolt ISO 4014 - M20 x 55
7	4731 23 26 07	Mutter M6M 20- 8 FZV	Nut ISO - 4032 - M20 FZV
8	4165 12752 23	Hydraulcylinder EV, Ø40,3/30x45	Hydraulic cylinder SA, Ø40,3/30x45
9	4165 23361 50	Bromsarm, bearbetad	Brake lever arm

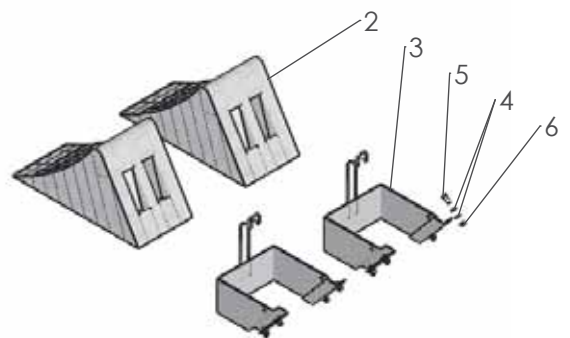
Pos nr/ Ref No	Detalj nr/ Part No	Benämning	Description
1024 Ö		HJULTRUSTNING, 8-BULT	WHEELS, 8-BOLTS
1	4165 21248 02	Hjul komplett, 600/55-26,5, vänster	Wheel, 600/55-26,5, LH
2	4165 21248 01	Hjul komplett, 600/55-26,5, höger	Wheel, 600/55-26,5, RH
3	4165 19340 00	Däck, 600/55-26,5	Tyre, 600/55-26,5
4	4165 21247 50	Fälg 20.00x26,5 TH2 med ventil	Rim 20.00x26,5 TH2 with valve
5	4165 21272 02	Hjul kompl, 800/40-26,5, vänster	Wheel, 800/40-26,5, cpl, LH
6	4165 21272 01	Hjul kompl, 800/40-26,5, höger	Wheel, 800/40-26,5, cpl, RH
7	4165 96835 00	Däck, 800/40-26,5	Tyre, 800/40-26,5
8	4165 97551 50	Fälg 28.00x26,5 TH2 med ventil	Rim 28.00x26,5 TH2 with valve
9	4165 21710 02	Hjul kompl, 800/45-30,5, vänster	Wheel cpl, 800/45-30,5, LH
10	4165 21710 01	Hjul kompl, 800/45-30,5, höger	Wheel cpl, 800/45-30,5, RH
11	4165 21708 00	Däck, 800/45-30,5	Tyre, 800/45-30,5
12	4165 21709 50	Fälg 28.00x30,5 TH2 med ventil	Rim 28.00x30,5 TH2



1194



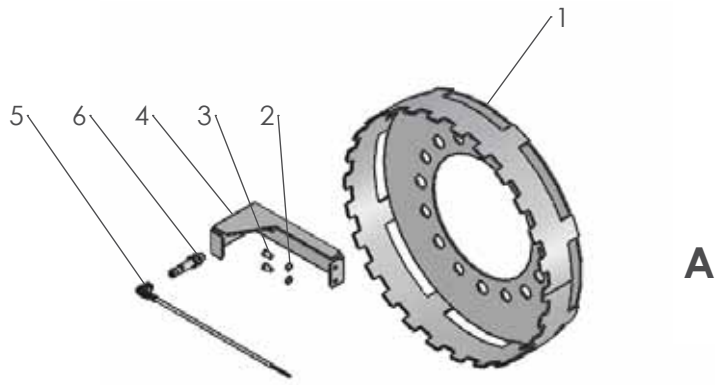
1377



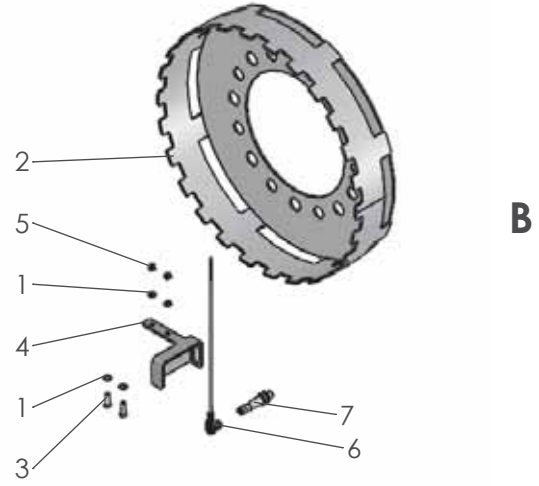
Pos nr/ Ref No	Detalj nr/ Part No	Benämning	Description
1194 Ö1		HJULTRUSTNING, 8-BULT	WHEELS, 8-BOLTS
1	4165 25930 02	Hjul 340/85 R38, kompl	Wheel 340/85 R38, cpl
2	4165 25930 01	Hjul 340/85 R38, kompl	Wheel 340/85 R38, cpl
3	4165 25928 00	Däck 340/85 R38	Tyre 340/85 R38
4	4165 25929 50	Fälg DW12x38 (däck 340/85 R38)	Rim DW12x38 tyre 340/85 R38)

Pos nr/ Ref No	Detalj nr/ Part No	Benämning	Description
1194 Ö2		HJULTRUSTNING, 10-BULT	WHEELS, 10-BOLTS
5	4165 29607 02	Hjul komplett, 600/55-26,5-10	Wheel, 600/55-26,5
6	4165 29607 01	Hjul komplett, 600/55-26,5-10	Wheel, 600/55-26,5
7	4165 19340 00	Däck, 600/55-26,5	Tyre, 600/55-26,5
8	4165 29608 50	Fälg 20.00x26,5 TH2 med ventil	Rim 20.00x26,5 TH2 with valve
9	4165 24035 02	Hjul kompl, 800/45-30,5	Wheel cpl, 800/45-30,5
10	4165 24035 01	Hjul kompl, 800/45-30,5	Wheel cpl, 800/45-30,5
11	4165 21708 00	Däck, 800/45-30,5	Tyre, 800/45-30,5
12	4165 24036 50	Fälg 28.00x30,5 TH2 med ventil	Rim 28.00x30,5 TH2
13	4165 22251 02	Hjul kompl, 420/85 R34	Wheel cpl, 420/85 R34
14	4165 22251 01	Hjul kompl, 420/85 R34	Wheel cpl, 420/85 R34
15	4165 22253 00	Däck 420/85 R34	Tyre 420/85 R34
16	4165 22252 50	Fälg DW 15x34 (Däck 16.9-34)	Rim DW 15x34 (Tyre 16.9-34)

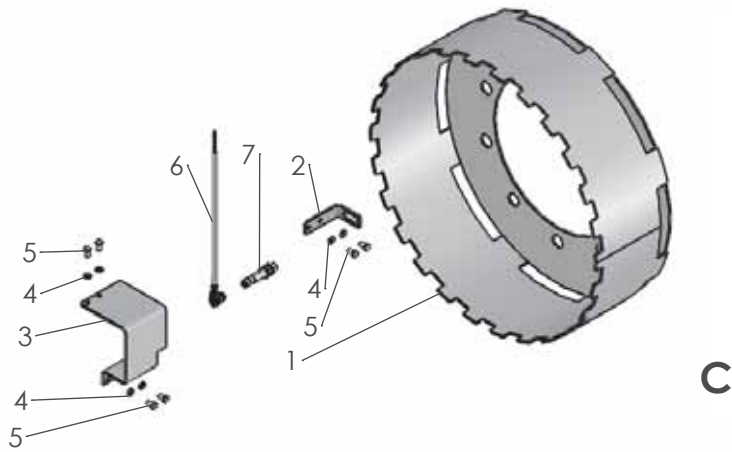
Pos nr/ Ref No	Detalj nr/ Part No	Benämning	Description
1377 Ö	34486	STOPPKLOSSAR	STOP BLOCKS
1	4165 34486 00	Stoppklossar 6500kg, sats	Stop blocks 6500kg, kit
2	4165 34390 00	Stoppkloss 6500 kg, plast	Stop block 6500 kg, plastic
3	4165 34485 40	Stoppklotsfäste	Stop block bracket
4	4734 11 64 09	Bricka BRB 8,4x 16 A2	Washer ISO 7089- 8 A2
5	4725 24 51 40	Skruv M6S 8x 20 A2-80	Bolt ISO 4014 - M8 x 20 A2-80
6	4731 23 18 40	Mutter M6M 8 A2-80	Nut ISO - 4032 - M8 A2-80



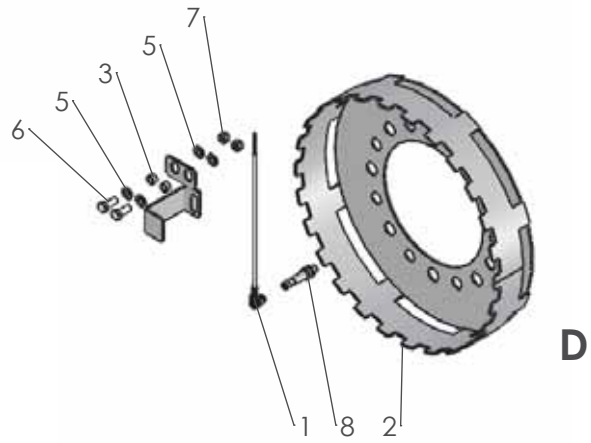
A



B



C



D

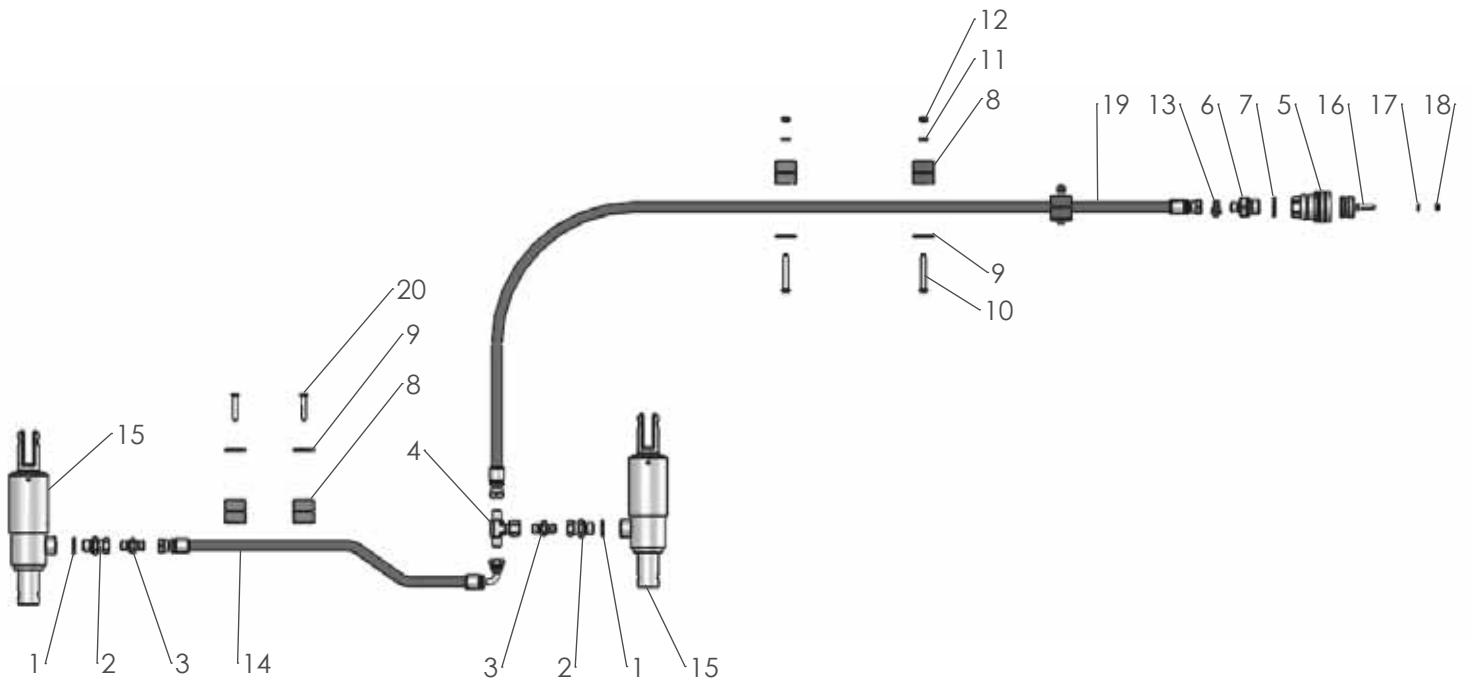
1216

Pos nr/ Ref No	Detalj nr/ Part No	Benämning	Description
1216A	4165 33194 02	HASTIGHETSGIVARSATS, STANDARDAXEL	SPEED SENSOR KIT, STANDARD AXLE
1	4165 33233 30	Givarkrans, Ø446 kompl	Sensor wheel, Ø446 comp
2	4734 11 53 09	Bricka BRB 6,4x 12 A2	Washer ISO 7089 - 6
3	4725 23 66 40	Skruv M6S 6x 12 A2-80	Bolt ISO 4014 - M6 x 12 A2-80
4	4165 33285 30	Givarfäste, axel utan broms	Sensor bracket, axle with no brakes
5	4165 25963 00	Givarkabel, L=5000	Sensor cable, L=5000
6	4165 36020 00	Induktiv givare (NPN)	Inductive sensor (NPN)

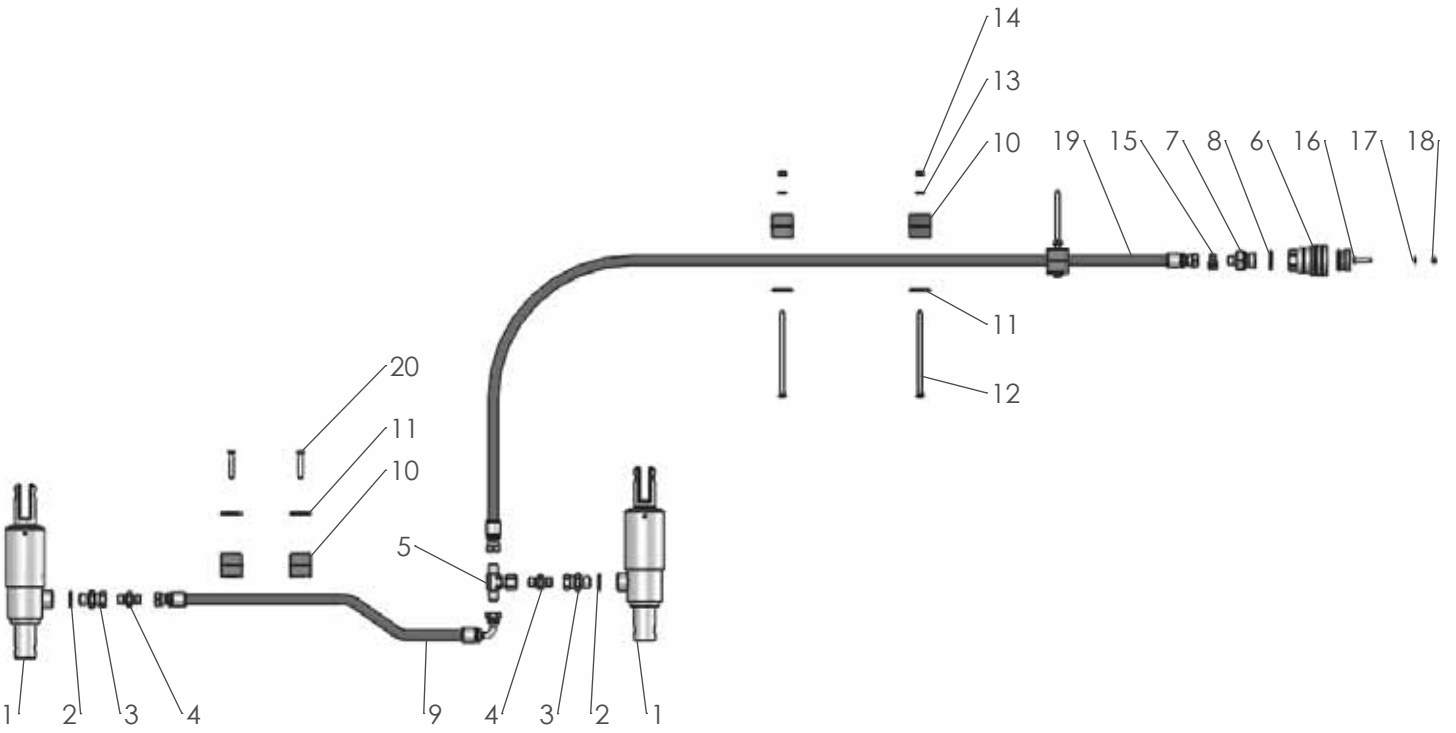
Pos nr/ Ref No	Detalj nr/ Part No	Benämning	Description
1216B	4165 33194 03	HASTIGHETSGIVARSATS, BROMSAD AXEL	SPEED SENSOR KIT, AXLE WITH BRAKES
1	4734 11 53 09	Bricka BRB 6,4x 12 A2	Washer ISO 7089 - 6
2	4165 33233 30	Givarkrans, Ø446 kompl	Sensor wheel, Ø446 comp
3	4725 23 70 40	Skruv M6S 6x 20 A2-80	Bolt ISO 4014 - M6 x 20
4	4165 33286 00	Givarfäste, H bromsad axel	Sensor bracket, axle with H brakes
5	4732 21 16 90	Mutter M6M 6 NF A2-80	Nut DIN 985 - M6
6	4165 25963 00	Givarkabel, L=5000	Sensor cable, L=5000
7	4165 36020 00	Induktiv givare (NPN)	Inductive sensor (NPN)

Pos nr/ Ref No	Detalj nr/ Part No	Benämning	Description
1216C	4165 33194 01	HASTIGHETSGIVARSATS, HÖGT CHASSI	SPEED SENSOR KIT, HIGH CHASSI
1	4165 33184 30	Givarkrans, 10 bultat nav kpl	Sensor wheel, 10 bolted hub, cpl
2	4165 33186 00	Givarfäste, S	Sensor bracket, S
3	4165 33185 30	Skydd, givare S	Cover, sensor S
4	4734 11 53 09	Bricka BRB 6,4x 12 A2	Washer ISO 7089 - 6
5	4725 23 66 40	Skruv M6S 6x 12 A2-80	Bolt ISO 4014 - M6 x 12 A2-80
6	4165 25963 00	Givarkabel, L=5000	Sensor cable, L=5000
7	4165 36020 00	Induktiv givare (NPN)	Inductive sensor (NPN)

Pos nr/ Ref No	Detalj nr/ Part No	Benämning	Description
1216D	4165 33194 04	HASTIGHETSGIVARSATS, FRANSK AXEL	SPEED SENSOR KIT, FRENCH AXLE
1	4165 25963 00	Givarkabel, L=5000	Sensor cable, L=5000
2	4165 33233 30	Givarkrans, Ø446 kompl	Sensor wheel, Ø446 comp
3	4165 33290 00	Hylsa, Ø11/15x8	Sleeve, Ø11/15x8
4	4165 33289 30	Givarfäste, fransk axel	Sensor bracket, french axle
5	4734 11 73 07	Bricka BRB 10,5x 20 FZV	Washer ISO 7089 - 10
6	4725 24 93 57	Skruv M6S 10x 25- 8.8 FZV	Bolt ISO 4014 - M10 x 25
7	4732 21 20 90	Mutter M6M 10 NF A2-80	Nut DIN 985- M10 A2-80
8	4165 36020 00	Induktiv givare (NPN)	Inductive sensor (NPN)



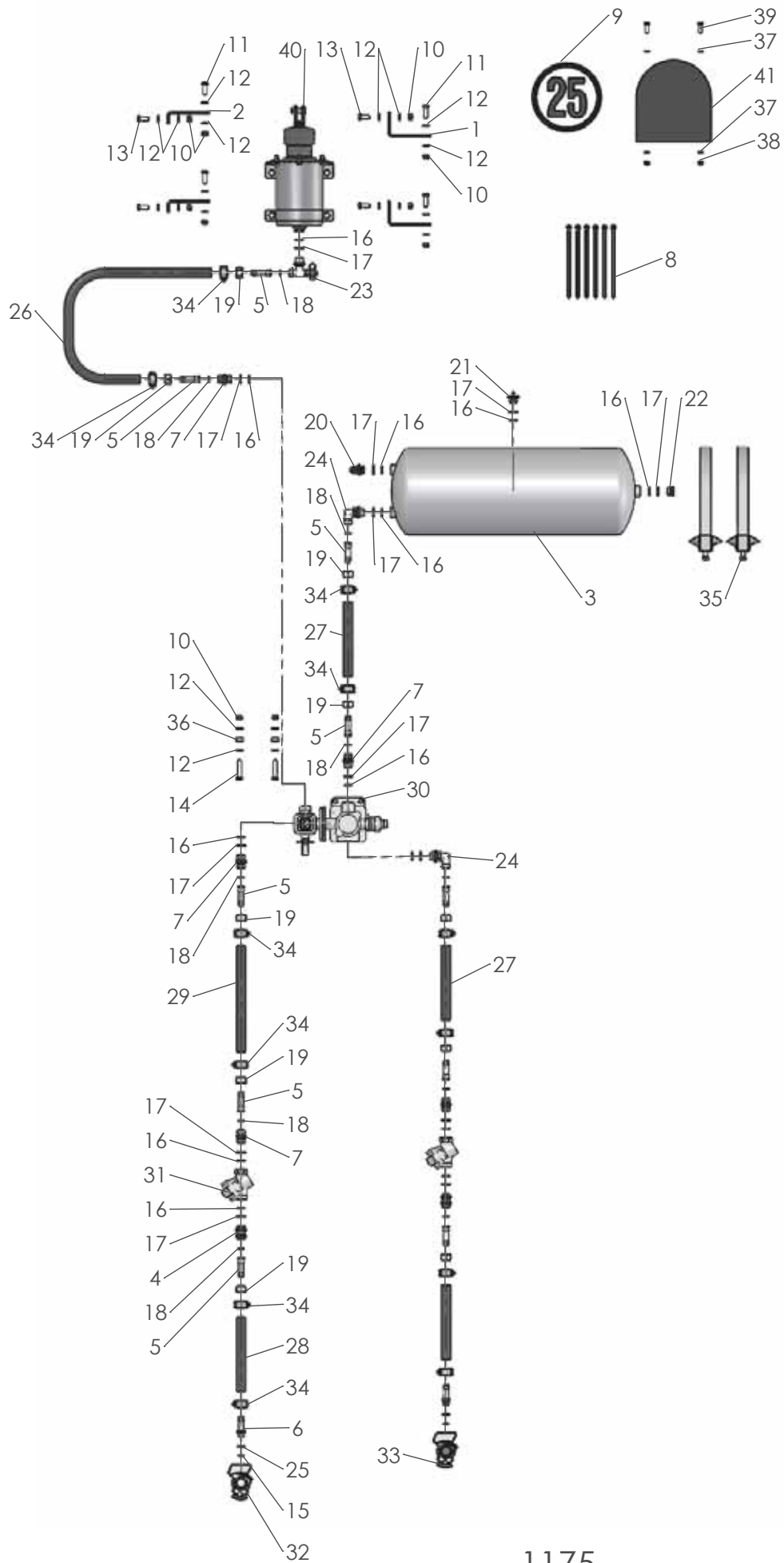
1176



1177

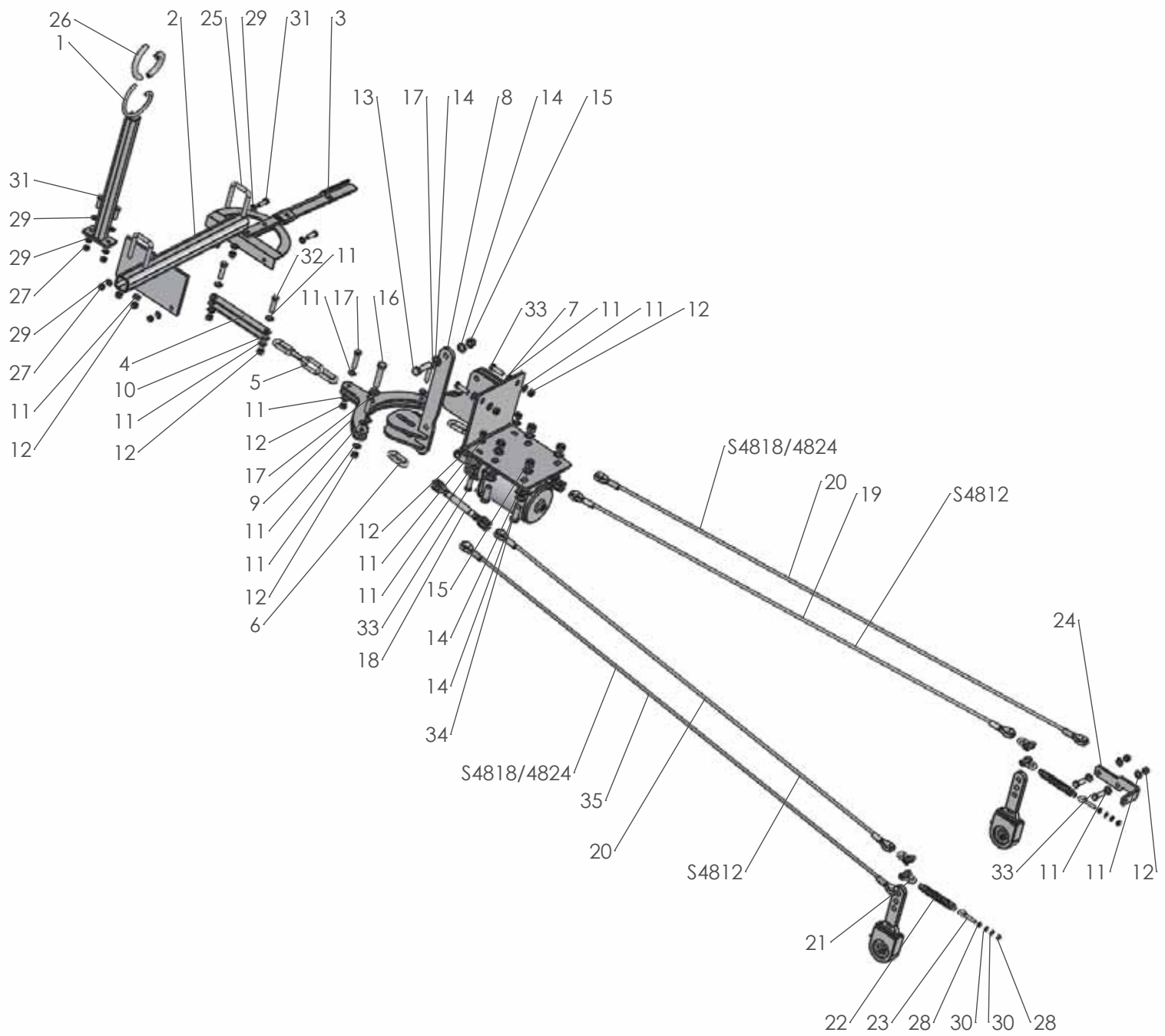
Pos nr/ Ref No	Detalj nr/ Part No	Benämning	Description
1176 Ö	22805-01	BROMSHYDRAULIK S4812/S4820	HYDRAULIC BRAKE S4812/S4820
1	4165 94417 00	Gummistålbricka, G3/8	Bonded seal, G3/8
2	4165 16814 00	Rak adapt, 3/8" - 1/4"	Stright union, 3/8" - 1/4"
3	4165 25215 00	Strypadapt Ø0,8, 1/4"	Restriction union Ø0,8, 1/4"
4	4165 91311 00	T-adapt	T-union
5	4165 31694 00	Snabbkoppling, hona	Quick coupling, female
6	4165 77231 00	Rak adapt 1/2" - 1/4"	Stright union
7	4165 80316 00	Gummistålbricka, G1/2	Bonded seal, G1/2
8	4165 94290 00	Klammerpar, Ø12,7	Tube clamps, Ø12,7
9	4165 22614 00	Täckplatta 26	Covering plate 26
10	4725 23 80 40	Skruv M6S 6x 50 A2-80	Bolt ISO 4014 - M6 x 50 A2-80
11	4734 11 53 09	Bricka BRB 6,4x 12 A2	Washer ISO 7089 - 6
12	4731 23 16 40	Mutter M6M 6 A2-80	Hexagon Nut ISO - 4032 - M6 A2-80
13	4165 23584 00	Buntband röd, L=368	Cable tie red, L=368
14	4165 14604 00	Hydraulslang, L=1470	Hydraulic hose, L=1470
15	4165 12752 23	Hydraulcylinder EV, Ø40,3/30x45	Hydraulic cylinder SA, Ø40,3/30x45
16	4725 63 33 40	Skruv MF6S 5x 25 A2-70	Bolt ISO 10642-M5x25 A2-70
17	4734 11 46 09	Bricka BRB 5,3x 10 A2	Washer ISO 7089 - 5
18	4732 21 14 90	Mutter M6M 5 NF A2-80	Nut DIN 985-M5 NF
19	4165 77333 00	Hydraulslang, L=7040	Hydraulic hose, L=7040
20	4725 23 76 40	Skruv M6S 6x 35 A2-80	Bolt ISO 4014 - M6 x 35 A2-80

Pos nr/ Ref No	Detalj nr/ Part No	Benämning	Description
1177 Ö	22805-02	BROMSHYDRAULIK S4824	HYDRAULIC BRAKE S4824
1	4165 12752 23	Hydraulcylinder EV, Ø40,3/30x45	Hydraulic cylinder SA, Ø40,3/30x45
2	4165 94417 00	Gummistålbricka, G3/8	Bonded seal, G3/8
3	4165 16814 00	Rak adapt, 3/8" - 1/4"	Stright union, 3/8" - 1/4"
4	4165 25215 00	Strypadapt Ø0,8, 1/4"	Restriction union Ø0,8, 1/4"
5	4165 91311 00	T-adapt	T-union
6	4165 31694 00	Snabbkoppling, hona	Quick coupling, female
7	4165 77231 00	Rak adapt 1/2" - 1/4"	Stright union
8	4165 80316 00	Gummistålbricka, G1/2	Bonded seal, G1/2
9	4165 14604 00	Hydraulslang, L=1470	Hydraulic hose, L=1470
10	4165 94290 00	Klammerpar, Ø12,7	Tube clamps, Ø12,7
11	4165 22614 00	Täckplatta 26	Covering plate 26
12	4725 23 94 40	Skruv M6S 6x120 A2-80	Bolt ISO 4014 - M6 x 120
13	4734 11 53 09	Bricka BRB 6,4x 12 A2	Washer ISO 7089 - 6
14	4731 23 16 40	Mutter M6M 6 A2-80	Hexagon Nut ISO - 4032 - M6 A2-80
15	4165 23584 00	Buntband röd, L=368	Cable tie red, L=368
16	4725 63 33 40	Skruv MF6S 5x 25 A2-70	Bolt ISO 10642-M5x25 A2-70
17	4734 11 46 09	Bricka BRB 5,3x 10 A2	Washer ISO 7089 - 5
18	4732 21 14 90	Mutter M6M 5 NF A2-80	Nut DIN 985-M5 NF
19	4165 77333 00	Hydraulslang, L=7040	Hydraulic hose, L=7040
20	4725 23 76 40	Skruv M6S 6x 35 A2-80	Bolt ISO 4014 - M6 x 35 A2-80



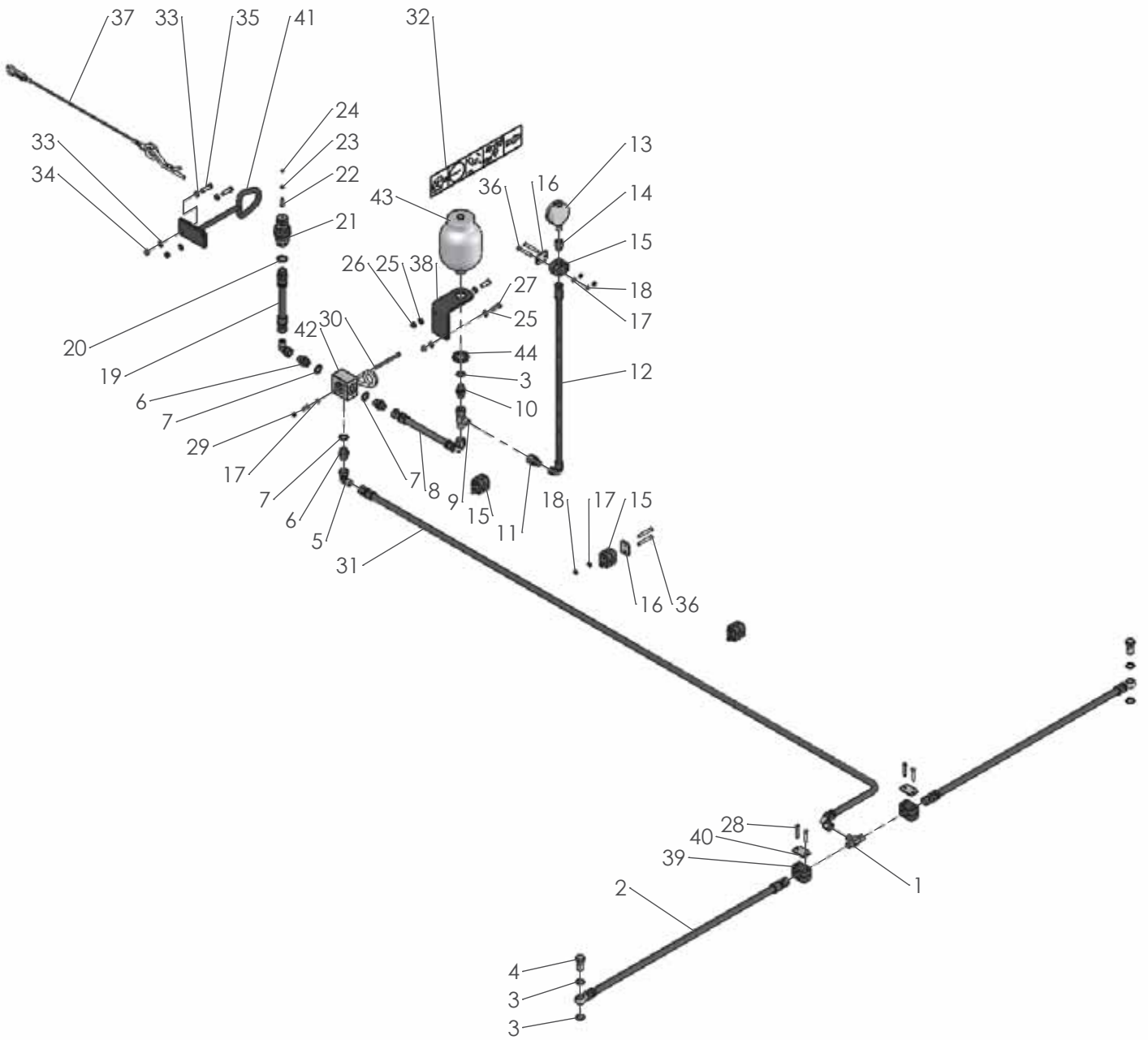
1175

Pos nr/ Ref No	Detalj nr/ Part No	Benämning	Description
1175 Ö	25495	BROMSPNEUMATIK	PNEUMATIC BRAKE
1	4165 22474 40	Vinkelfäste	Angle bracket
2	4165 22473 40	Vinkelfäste	Angle bracket
3	4165 22825 40	Tryckluftstank, 30l	Air pressure tank, 30l
4	4165 22835 00	Skottgenomgång, luft	Straight union, air
5	4165 22823 00	Stolpe	Nipple
6	4165 22826 00	Stolpe	Nipple
7	4165 22837 00	Rak adapt, luft	Straight union, air
8	4165 23589 00	Buntband svart, L=206	Cable tie black, L=206
9	4165 25412 00	Dekal: 25 km/h	Decal: 25 km/h
10	4732 21 20 90	Mutter M6M 10 NF A2-80	Nut DIN 985- M10 A2-80
11	4725 24 95 57	Skruv M6S 10x 30- 8.8 FZV	Bolt ISO 4014 - M10 x 30 FZV
12	4734 11 73 07	Bricka BRB 10,5x 20 FZV	Washer ISO 7089 - 10
13	4725 24 93 57	Skruv M6S 10x 25- 8.8 FZV	Bolt ISO 4014 - M10 x 25
14	4725 25 01 57	Skruv M6S 10x 50- 8.8 FZV	Bolt ISO 4014 - M10 x 50
15	4165 22863 00	O-ring, OR 14,0x2,0	O-ring, OR 14,0x2,0
16	4740 43 18 00	O-ring, OR 20,3x2,4	O-ring, OR 20,3x2,4
17	4165 22868 00	Stödtring till M22x1,5	Support ring for M22x1,5
18	4165 22867 00	Tätningbricka	Sealing washer
19	4165 22827 00	Mutter M22x1,5	Nut M22x1,5
20	4165 22833 00	Rak mätanslutning	Stright measure nipple
21	4165 22834 00	Dräneringsventil	Drain valve
22	4165 22828 00	Plugg M22x1,5	Plug M22x1,5
23	4165 22832 00	T-mätanslutning	T-measure nipple
24	4165 22836 00	L-adapt	L-nipple
25	4165 22864 00	Stödtring till M16x1,5	Support ring for M16x1,5
26	4165 23320 00	Tryckluftssläng, L=1100	Air hose, L=1100
27	4165 23320 00	Tryckluftssläng, L=1100	Air hose, L=1100
28	4165 24543 00	Tryckluftssläng, L=4200	Air hose, L=4200
29	4165 23319 00	Tryckluftssläng, L=550	Air hose, L=550
30	4165 22860 00	Bromsventil	Valve for braking system
31	4165 22859 00	Ledningsfilter	Line filter
32	4165 22858 00	Kopplingsnåve matarledning, gul	Supply line cover, yellow
33	4165 22857 00	Kopplingsnåve matarledning, röd	Supply line cover, red
34	4165 23866 00	Slangklämma, Ø25-27/18	Hose clamp, Ø25-27/18
35	4731 23 20 01	Mutter M6M 10- 8 FZB	Nut Hexagon Nut ISO - 4032 - M10-8 FZB
36	4165 23348 00	Bricka, Ø10,5/20x10	Washer, Ø10,5/20x10
37	4734 11 64 09	Bricka BRB 8,4x 16 A2	Washer ISO 7089- 8 A2
38	4732 21 18 90	Mutter M6M 8 NF A2-80	Nut DIN 985 - M8 A2
39	4725 24 53 40	Skruv M6S 8x 25 A2-80	Bolt ISO 4014- M8x 25 A2-80
40	4165 22830 00	Bromscylinder, tryckluft	Air break cylinder
41	4165 33355 40	Dekalfäste	Decal bracket



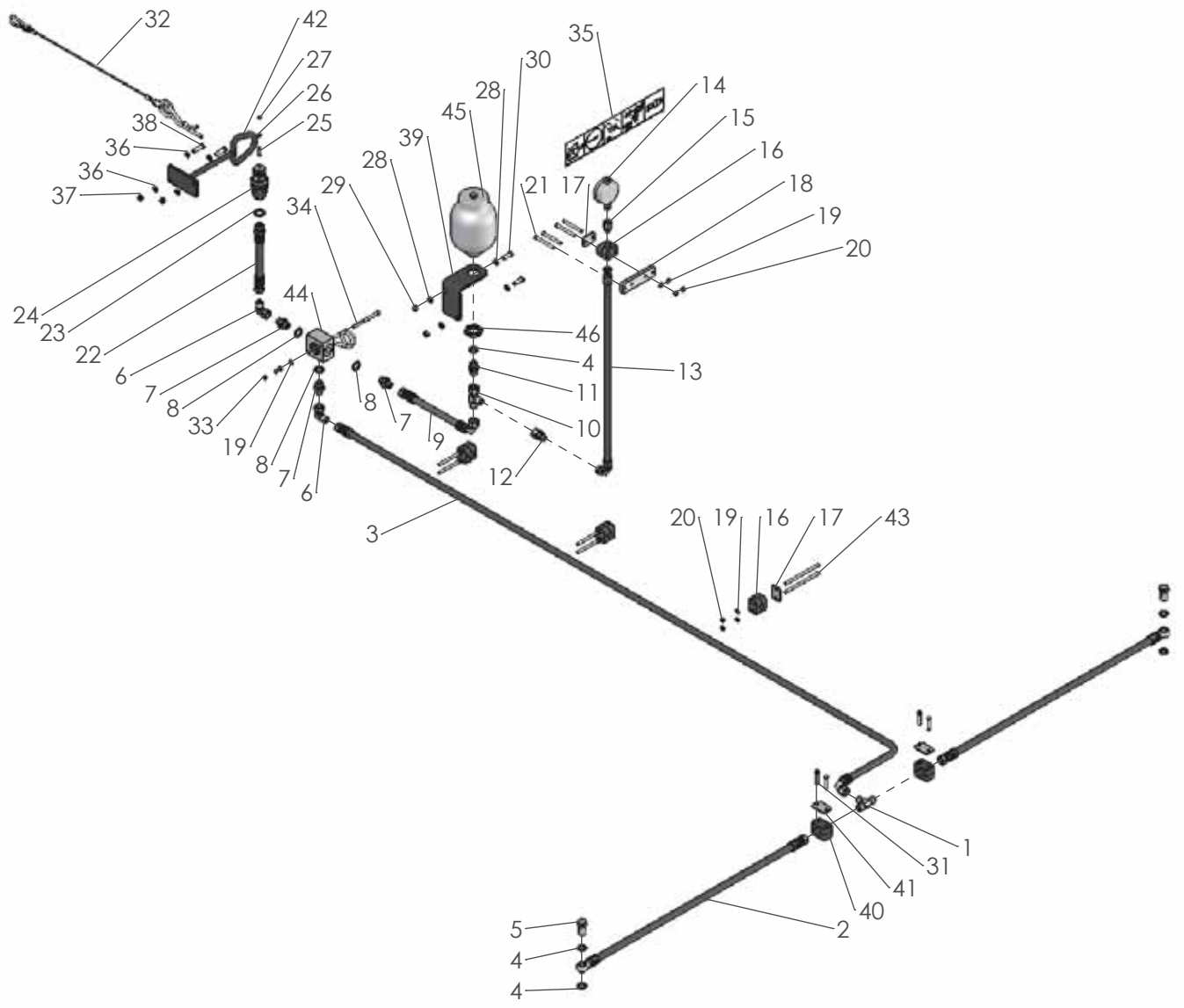
705

Pos nr/ Ref No	Detalj nr/ Part No	Benämning	Description
705 Ö	25491	HANDBROMS	HAND BREAK
1	4165 25450 40	Slanghållare	Hose bracket
2	4165 27055 40	Handbromsfäste	Hand break bracket
3	4165 25456 40	Handbromsspak	Hand breake lever
4	4165 25457- 40	Länk	Link
5	4165 25494 00	Kätting Ø10x59, 4 länk, L=236	Chain Ø10x59, 4 links, L=236
6	4165 25493 00	Kätting Ø10x59, 1 länk, L=59	Chain Ø10x59, 1 link, L=59
7	4165 25441 40	Fäste, kompl	Halter, compl
8	4165 26992 40	Hävvarm, komplett	Leaver, cpl
9	4165 25444 40	Bumerang	Boomerang
10	4165 25449 00	Hylsa, Ø12,25/17,2x12	Sleeve, Ø12,25/17,2x12
11	4734 11 78 07	Bricka BRB 13x 24 FZV	Washer ISO 7089 - 12
12	4732 21 22 90	Mutter M6M 12 NF A2-80	Nut DIN 985 - M12
13	4725 26 32 57	Skruv M6S 16x 60- 8.8 FZV	Bolt ISO 4014 - M16 x 60-8.8 FZV
14	4734 11 86 07	Bricka BRB 17x 30 FZV	Washer ISO 7089 - 16
15	4732 21 24 90	Mutter M6M 16 NF A2-80	Nut DIN 985 - M16 A2-80
16	4725 26 35 57	Skruv M6S 16x 75- 8.8 FZV	Bolt ISO 4014 - M16 x 75-8.8
17	4725 25 43 57	Skruv M6S 12x 55- 8.8 FZV	Bolt ISO 4014 - M12 x 55-8.8
18	4165 22308 00	Vantskruv M12, 225-305	Turnbuckle M12, 225-305
19	4165 25489 02	Vajer Ø8, kompl	Wire rope Ø8 compl
20	4165 25489 03	Vajer Ø8, kompl	Wire rope Ø8 compl
21	4165 19601 00	Rak schackel, M10	Schackle, M10
22	4165 11141 51	Dragfjäder	Pull spring
23	4165 25492 00	Ögleskruv, M8x40 A2	Eye bolt, M8x40 A2
24	4165 25448 40	Fjädersvinkel 2	Spring bracket 2
25	4165 96149 00	Krampa, M12x52x85	Clamp, M12x52x85
26	4165 17312 00	Plastslang, Ø10/16 L=165	Plastic hose, Ø10/16 L=165
27	4732 21 20 90	Mutter M6M 10 NF A2-80	Nut DIN 985- M10 A2-80
28	4731 23 18 40	Mutter M6M 8 A2-80	Nut ISO - 4032 - M8 A2-80
29	4734 11 73 07	Bricka BRB 10,5x 20 FZV	Washer ISO 7089 - 10
30	4734 11 64 09	Bricka BRB 8,4x 16 A2	Washer ISO 7089- 8 A2
31	4725 24 97 57	Skruv M6S 10x 35- 8.8 FZV	Bolt ISO 4014 - M10 x 35-8.8 FZV
32	4725 25 42 57	Skruv M6S 12x 50- 8.8 FZV	Bolt ISO 4014 - M12 x 50-8.8 FZV
33	4725 25 40 57	Skruv M6S 12x 40- 8.8 FZV	Bolt ISO 4014 - M12 x 40-8.8 FZV
34	4725 26 29 57	Skruv M6S 16x 45- 8.8 FZV	Bolt ISO 4014 - M16 x 45-8.8 FZV
35	4165 25489 04	Vajer Ø8, kompl	Wire rope Ø8 compl



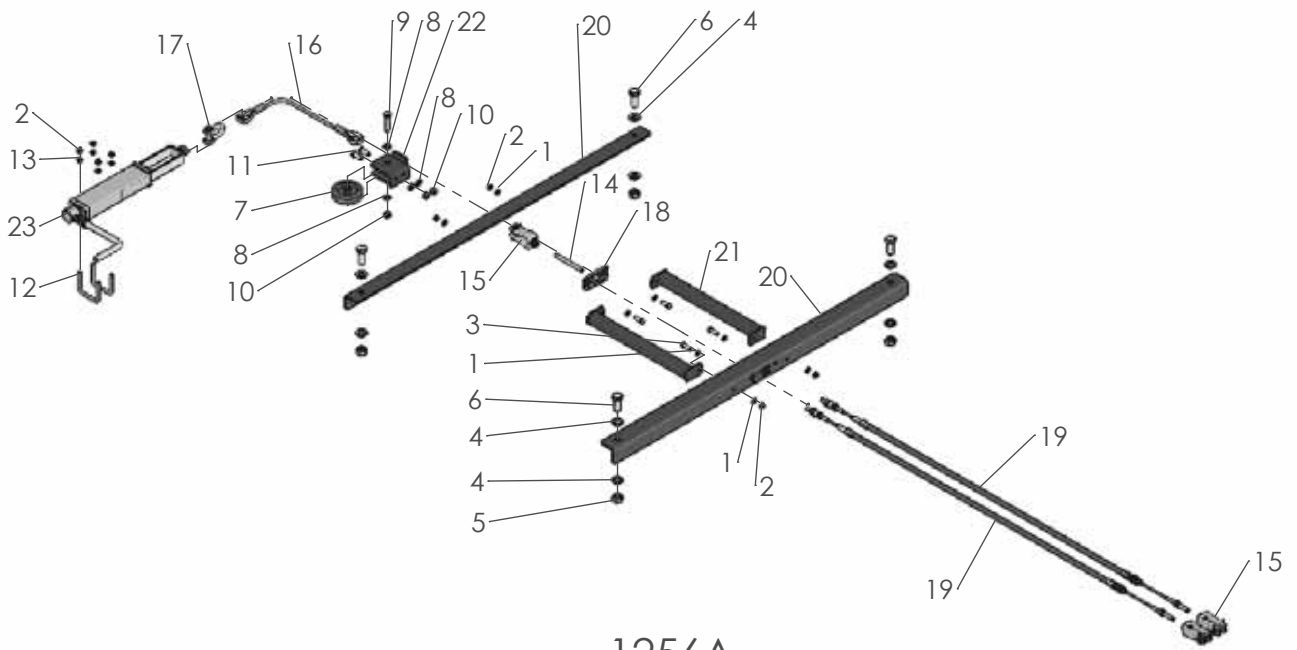
1257

Pos nr/ Ref No	Detalj nr/ Part No	Benämning	Description
1257 Ö	33677-01	HYDRAULISK BROMS, S 4812	HYDRAULIC BREAK, S 4812
1	4165 17982 00	T-adapt, 3/8	T Union, 3/8
2	4165 20131 00	Hydraulslang, L=800	Hydraulic hose, L=800
3	4165 94417 00	Gummistålbricka, G3/8	Bonded seal, G3/8
4	4165 95774 00	Banjoskruv 3/8"	Banjo bolt 3/8"
5	4165 92939 00	L-Adapt 3/8" - 3/8"	L-Union 3/8" - 3/8"
6	4165 33715 00	Rak adapt, M18x1,5 - 3/8"	Stright union, M18x1,5 - 3/8"
7	4165 33722 00	Gummistålbricka, M18	Bonded seal, M18
8	4165 22601 00	Hydraulslang 3/8, L= 400	Hydraulic hose 3/8, L= 400
9	4165 93968 00	T-adapt	T-Union
10	4165 92434 00	Rak adapt, 3/8" - 3/8"	Stright union, 3/8" - 3/8"
11	4165 17980 00	Rak adapt, 1/4" - 3/8"	Stright union, 1/4" - 3/8"
12	4165 22110 00	Hydraulslang 1/4, L=800	Hydraulic hose 1/4, L=800
13	4165 33680 00	Manometer	Manometer
14	4165 92226 00	Rak adapt	Stright union
15	4165 23812 00	Klammerpar, Ø16	Tube clamps, Ø16
16	4165 22614 00	Täckplatta 26	Covering plate 26
17	4734 11 53 09	Bricka BRB 6,4x 12 A2	Washer ISO 7089 - 6
18	4731 23 16 40	Mutter M6M 6 A2-80	Hexagon Nut ISO - 4032 - M6 A2-80
19	4165 99970 00	Hydraulslang 3/8, L=3900	Hydraulic hose 3/8, L=3900
20	4165 80316 00	Gummistålbricka, G1/2	Bonded seal, G1/2
21	4165 31694 00	Snabbkoppling, hona	Quick coupling, female
22	4725 63 33 40	Skruv MF6S 5x 25 A2-70	Bolt ISO 10642-M5x25 A2-70
23	4734 11 46 09	Bricka BRB 5,3x 10 A2	Washer ISO 7089 - 5
24	4732 21 14 90	Mutter M6M 5 NF A2-80	Nut DIN 985-M5 NF
25	4734 11 64 09	Bricka BRB 8,4x 16 A2	Washer ISO 7089- 8 A2
26	4731 23 18 40	Mutter M6M 8 A2-80	Nut ISO - 4032 - M8 A2-80
27	4725 24 53 40	Skruv M6S 8x 25 A2-80	Bolt ISO 4014- M8x 25 A2-80
28	4725 23 76 40	Skruv M6S 6x 35 A2-80	Bolt ISO 4014 - M6 x 35 A2-80
29	4732 21 16 90	Mutter M6M 6 NF A2-80	Nut DIN 985 - M6
30	4725 53 80 40	Skruv MC6S 6x 50 A2-80	Bolt ISO 4762 M6 x 50 A2-80
31	4165 12173 90	Hydraulslang, L=2400	Hydraulic hose, L=2400
32	4165 33713 00	Dekal: Manometer	Decal: Manometer
33	4734 11 64 07	Bricka BRB 8,4x 16 FZV	Washer ISO 7089 - 8
34	4731 23 18 07	Mutter M6M 8- 8 FZV	Nut ISO - 4032 - M8 FZV
35	4725 24 55 57	Skruv M6S 8x 30- 8-8 FZV	Bolt ISO 4014 - M8 x 20
36	4725 23 80 40	Skruv M6S 6x 50 A2-80	Bolt ISO 4014 - M6 x 50 A2-80
37	4165 33687 00	Katastrofvajer	Panic break cable
38	4165 33291 40	Ackumulatorfäste	Accumulator bracket
39	4165 93394 00	Klammerpar, Ø20	Tube clamp, Ø20
40	4165 91853 00	Täckplatta 33	Cover plate 33
41	4165 33728 40	Vajerstyrning	Wire guide
42	4165 33327 00	Katastrofventil	Emergency valve
43	4165 33647 00	Membranackumulator, 0,75l, 50bar	Membrane accumulator, 0,75l, 50bar
44	4165 33708 00	Mutter, M30x2	Nut, M30x2

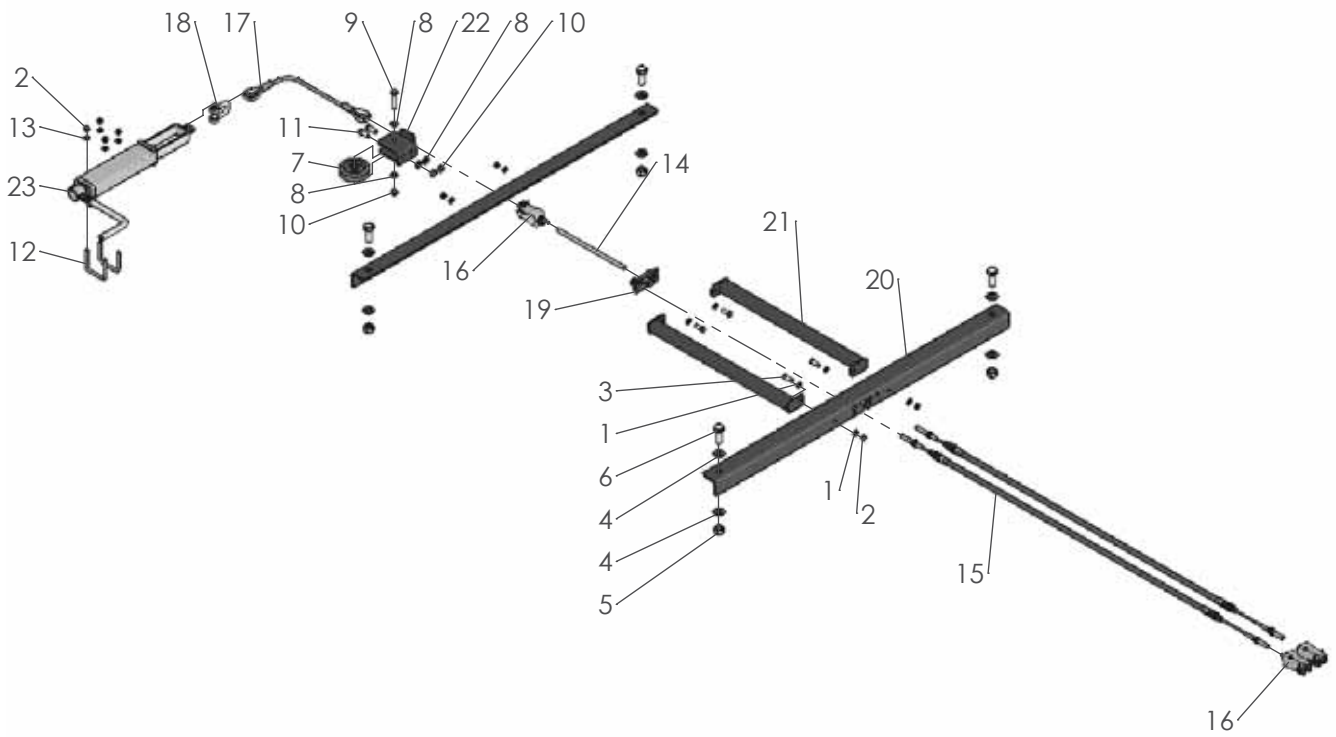


1258

Pos nr/ Ref No	Detalj nr/ Part No	Benämning	Description
1258 Ö	33677-02	HYDRAULISK BROMS, S4818/4824	HYDRAULIC BREAK, S4818/4824
1	4165 17982 00	T-adapt, 3/8	T Union, 3/8
2	4165 20131 00	Hydraulslang, L=800	Hydraulic hose, L=800
3	4165 12173 92	Hydraulslang, L=2600	Hydraulic hose, L=2600
4	4165 94417 00	Gummistålbricka, G3/8	Bonded seal, G3/8
5	4165 95774 00	Banjoskruv 3/8"	Banjo bolt 3/8"
6	4165 92939 00	L-Adapt 3/8" - 3/8"	L-Union 3/8" - 3/8"
7	4165 33715 00	Rak adapt, M18x1,5 - 3/8"	Stright union, M18x1,5 - 3/8"
8	4165 33722 00	Gummistålbricka, M18	Bonded seal, M18
9	4165 22601 00	Hydraulslang 3/8, L= 400	Hydraulic hose 3/8, L= 400
10	4165 93968 00	T-adapt	T-Union
11	4165 92434 00	Rak adapt, 3/8" - 3/8"	Stright union, 3/8" - 3/8"
12	4165 17980 00	Rak adapt, 1/4" - 3/8"	Stright union, 1/4" - 3/8"
13	4165 22110 00	Hydraulslang 1/4, L=800	Hydraulic hose 1/4, L=800
14	4165 33680 00	Manometer	Manometer
15	4165 92226 00	Rak adapt	Stright union
16	4165 23812 00	Klammerpar, Ø16	Tube clamps, Ø16
17	4165 22614 00	Täckplatta 26	Covering plate 26
18	4165 33666 40	Distansbricka	Spacer
19	4734 11 53 09	Bricka BRB 6,4x 12 A2	Washer ISO 7089 - 6
20	4731 23 16 40	Mutter M6M 6 A2-80	Hexagon Nut ISO - 4032 - M6 A2-80
21	4725 23 83 40	Skruv M6S 6x 65 A2-80	Bolt ISO 4014 - M6 x 65 A2-80
22	4165 99970 00	Hydraulslang 3/8, L=3900	Hydraulic hose 3/8, L=3900
23	4165 80316 00	Gummistålbricka, G1/2	Bonded seal, G1/2
24	4165 31694 00	Snabbkoppling, hona	Quick coupling, female
25	4725 63 33 40	Skruv MF6S 5x 25 A2-70	Bolt ISO 10642-M5x25 A2-70
26	4734 11 46 09	Bricka BRB 5,3x 10 A2	Washer ISO 7089 - 5
27	4732 21 14 90	Mutter M6M 5 NF A2-80	Nut DIN 985-M5 NF
28	4734 11 64 09	Bricka BRB 8,4x 16 A2	Washer ISO 7089- 8 A2
29	4731 23 18 40	Mutter M6M 8 A2-80	Nut ISO - 4032 - M8 A2-80
30	4725 24 53 40	Skruv M6S 8x 25 A2-80	Bolt ISO 4014- M8x 25 A2-80
31	4725 23 76 40	Skruv M6S 6x 35 A2-80	Bolt ISO 4014 - M6 x 35 A2-80
32	4165 33687 00	Katastrofvajer	Panic break cable
33	4732 21 16 90	Mutter M6M 6 NF A2-80	Nut DIN 985 - M6
34	4725 53 80 40	Skruv MC6S 6x 50 A2-80	Bolt ISO 4762 M6 x 50 A2-80
35	4165 33713 00	Dekal: Manometer	Decal: Manometer
36	4734 11 64 07	Bricka BRB 8,4x 16 FZV	Washer ISO 7089 - 8
37	4731 23 18 07	Mutter M6M 8- 8 FZV	Nut ISO - 4032 - M8 FZV
38	4725 24 55 57	Skruv M6S 8x 30- 8-8 FZV	Bolt ISO 4014 - M8 x 20
39	4165 33291 40	Akkumulatorfäste	Accumulator bracket
40	4165 93394 00	Klammerpar, Ø20	Tube clamp, Ø20
41	4165 91853 00	Täckplatta 33	Cover plate 33
42	4165 33728 40	Vajerstyrning	Wire guide
43	4725 23 94 40	Skruv M6S 6x120 A2-80	Bolt ISO 4014 - M6 x 120
44	4165 33327 00	Katastrofventil	Emergency valve
45	4165 33647 00	Membranackumulator, 0,75l, 50bar	Membrane accumulator, 0,75l, 50bar
46	4165 33708 00	Mutter, M30x2	Nut, M30x2



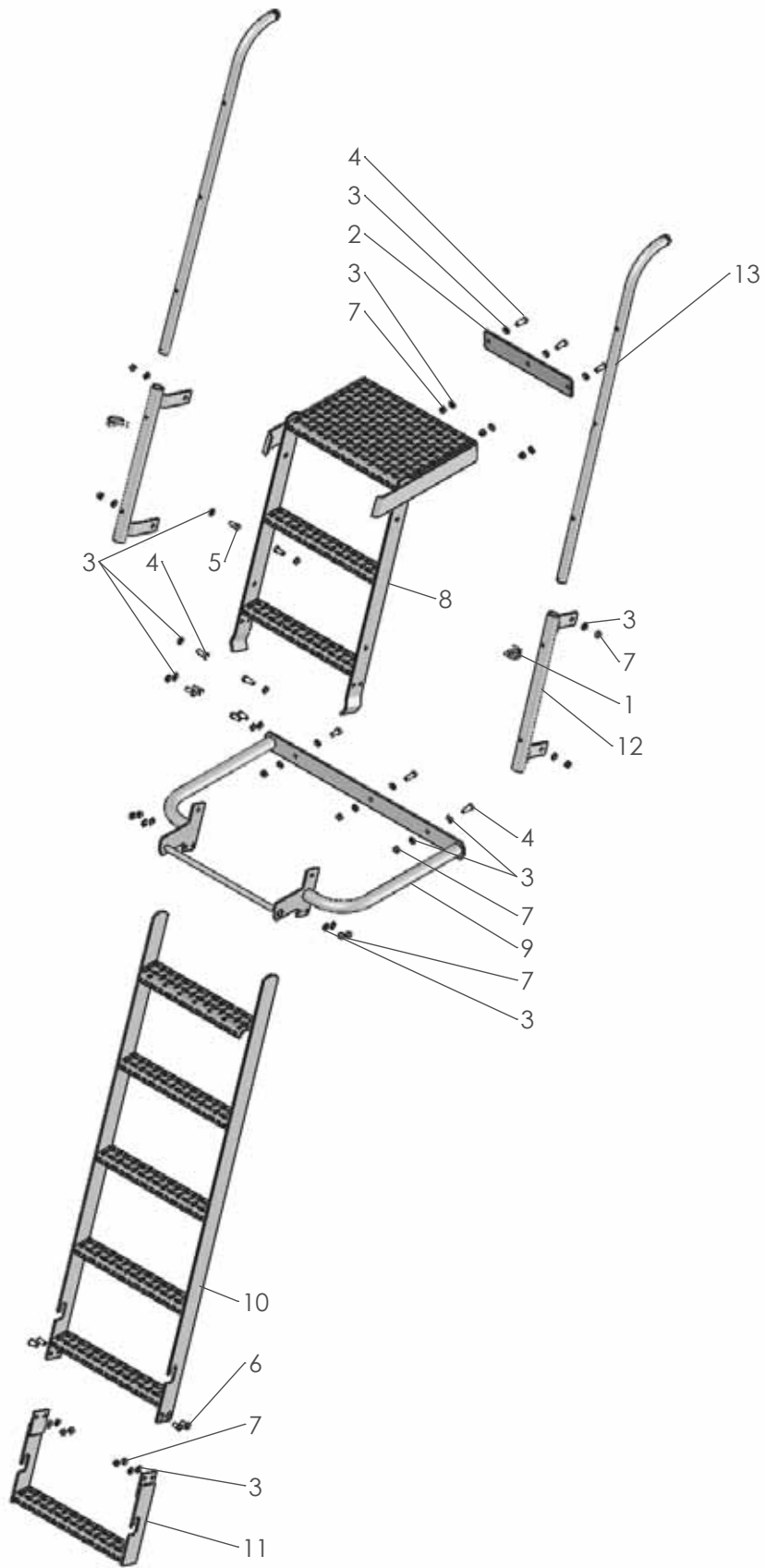
1256A



1256B

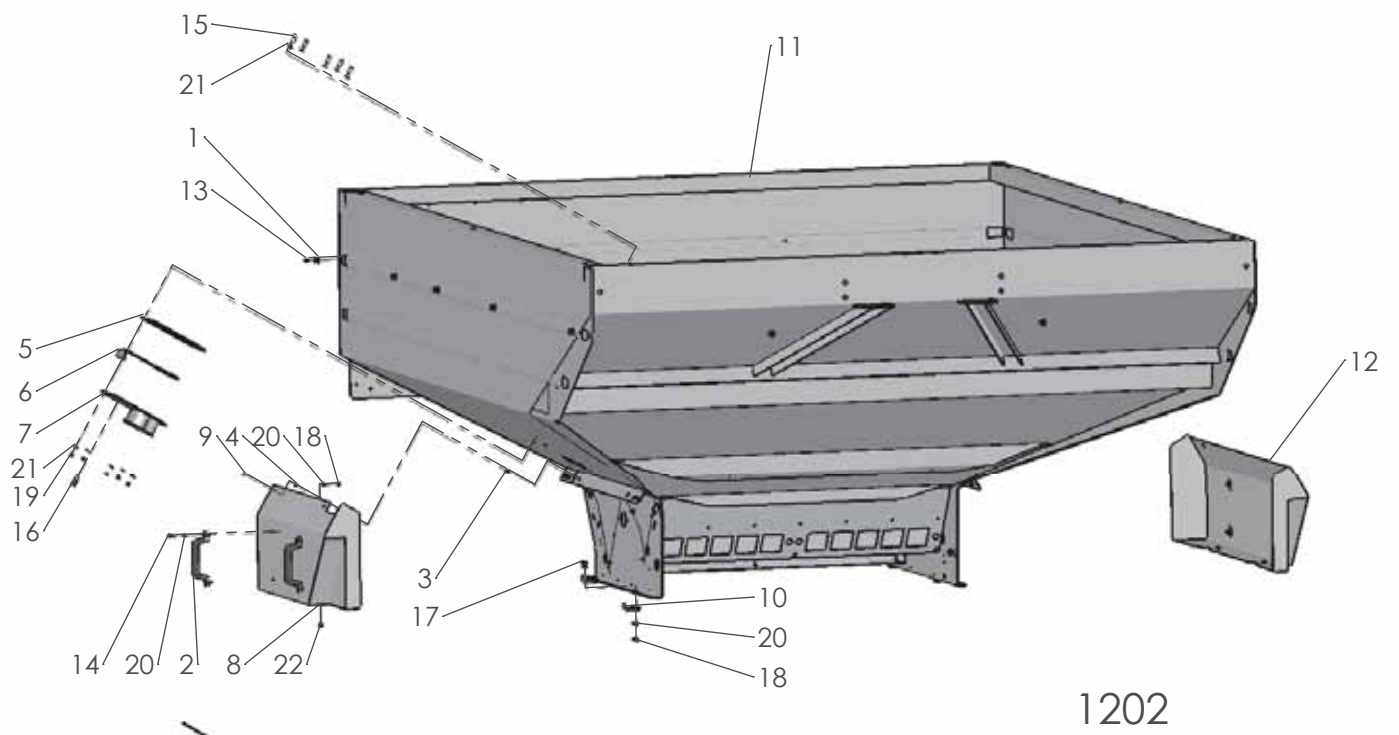
Pos nr/ Ref No	Detalj nr/ Part No	Benämning	Description
1256A Ö	33698	HANDBROMS, S 4812	HAND BREAK, S 4812
1	4734 11 64 07	Bricka BRB 8,4x 16 FZV	Washer ISO 7089 - 8
2	4732 21 18 90	Mutter M6M 8 NF A2-80	Nut DIN 985 - M8 A2
3	4725 24 53 57	Skruv M6S 8x 25- 8.8 FZV	Bolt ISO 4014 - M8 x 25-8.8
4	4734 11 86 07	Bricka BRB 17x 30 FZV	Washer ISO 7089 - 16
5	4731 23 24 07	Mutter M6M 16- 8 FZV	Nut ISO - 4032 - M16 FZV
6	4725 26 28 57	Skruv M6S 16x 40- 8.8 FZV	Bolt ISO 4014 - M16 x 40-8.8
7	4165 33295 00	Linhjul, kompl	Wire wheel, cpl
8	4734 11 73 07	Bricka BRB 10,5x 20 FZV	Washer ISO 7089 - 10
9	4725 25 01 57	Skruv M6S 10x 50- 8.8 FZV	Bolt ISO 4014 - M10 x 50
10	4732 21 20 90	Mutter M6M 10 NF A2-80	Nut DIN 985- M10 A2-80
11	4725 24 93 57	Skruv M6S 10x 25- 8.8 FZV	Bolt ISO 4014 - M10 x 25
12	4165 33333 00	Krampa, M8x61x61	Clamp, M8x61x61
13	4734 11 64 09	Bricka BRB 8,4x 16 A2	Washer ISO 7089- 8 A2
14	4165 33319 01	Gängad stång, M10x100	Threaded rod, M10x100
15	4165 33684 00	Bromsgaffel	Break fork
16	4165 33706 00	Vajer Ø8, L=415, kpl	Wire Ø8, L=415, cpl
17	4165 19909 00	Rak schackel, M12	Schackle, M12
18	4165 33298 00	Balansok, kompl	Balance bar, cpl
19	4165 33442 01	Bromsvajer, L=1000	Break wire, L=1000
20	4165 33323 40	Vajerfäste	Wire bracket
21	4165 33629 40	Stag, L=371	Stay, L=371
22	4165 33620 40	Linhjulsfäste	Wheel bracket
23	4165 33292 50	Handbromsvev	Hand break spindel

Pos nr/ Ref No	Detalj nr/ Part No	Benämning	Description
1256B Ö	336998	HANDBROMS, S 4818/4824	HAND BREAK, S 4818/4824
1	4734 11 64 07	Bricka BRB 8,4x 16 FZV	Washer ISO 7089 - 8
2	4732 21 18 90	Mutter M6M 8 NF A2-80	Nut DIN 985 - M8 A2
3	4725 24 53 57	Skruv M6S 8x 25- 8.8 FZV	Bolt ISO 4014 - M8 x 25-8.8
4	4734 11 86 07	Bricka BRB 17x 30 FZV	Washer ISO 7089 - 16
5	4731 23 24 07	Mutter M6M 16- 8 FZV	Nut ISO - 4032 - M16 FZV
6	4725 26 28 57	Skruv M6S 16x 40- 8.8 FZV	Bolt ISO 4014 - M16 x 40-8.8
7	4165 33295 00	Linhjul, kompl	Wire wheel, cpl
8	4734 11 73 07	Bricka BRB 10,5x 20 FZV	Washer ISO 7089 - 10
9	4725 25 01 57	Skruv M6S 10x 50- 8.8 FZV	Bolt ISO 4014 - M10 x 50
10	4732 21 20 90	Mutter M6M 10 NF A2-80	Nut DIN 985- M10 A2-80
11	4725 24 93 57	Skruv M6S 10x 25- 8.8 FZV	Bolt ISO 4014 - M10 x 25
12	4165 33333 00	Krampa, M8x61x61	Clamp, M8x61x61
13	4734 11 64 09	Bricka BRB 8,4x 16 A2	Washer ISO 7089- 8 A2
14	4165 33319 02	Gängad stång, M10x250	Threaded rod, M10x250
15	4165 33442 01	Bromsvajer, L=1000	Break wire, L=1000
16	4165 33684 00	Bromsgaffel	Break fork
17	4165 33706 00	Vajer Ø8, L=415, kpl	Wire Ø8, L=415, cpl
18	4165 19909 00	Rak schackel, M12	Schackle, M12
19	4165 33298 00	Balansok, kompl	Balance bar, cpl
20	4165 33323 40	Vajerfäste	Wire bracket
21	4165 33630 40	Stag, L=523	Stay, L=523
22	4165 33620 40	Linhjulsfäste	Wheel bracket
23	4165 33292 50	Handbromsvev	Hand break spindel

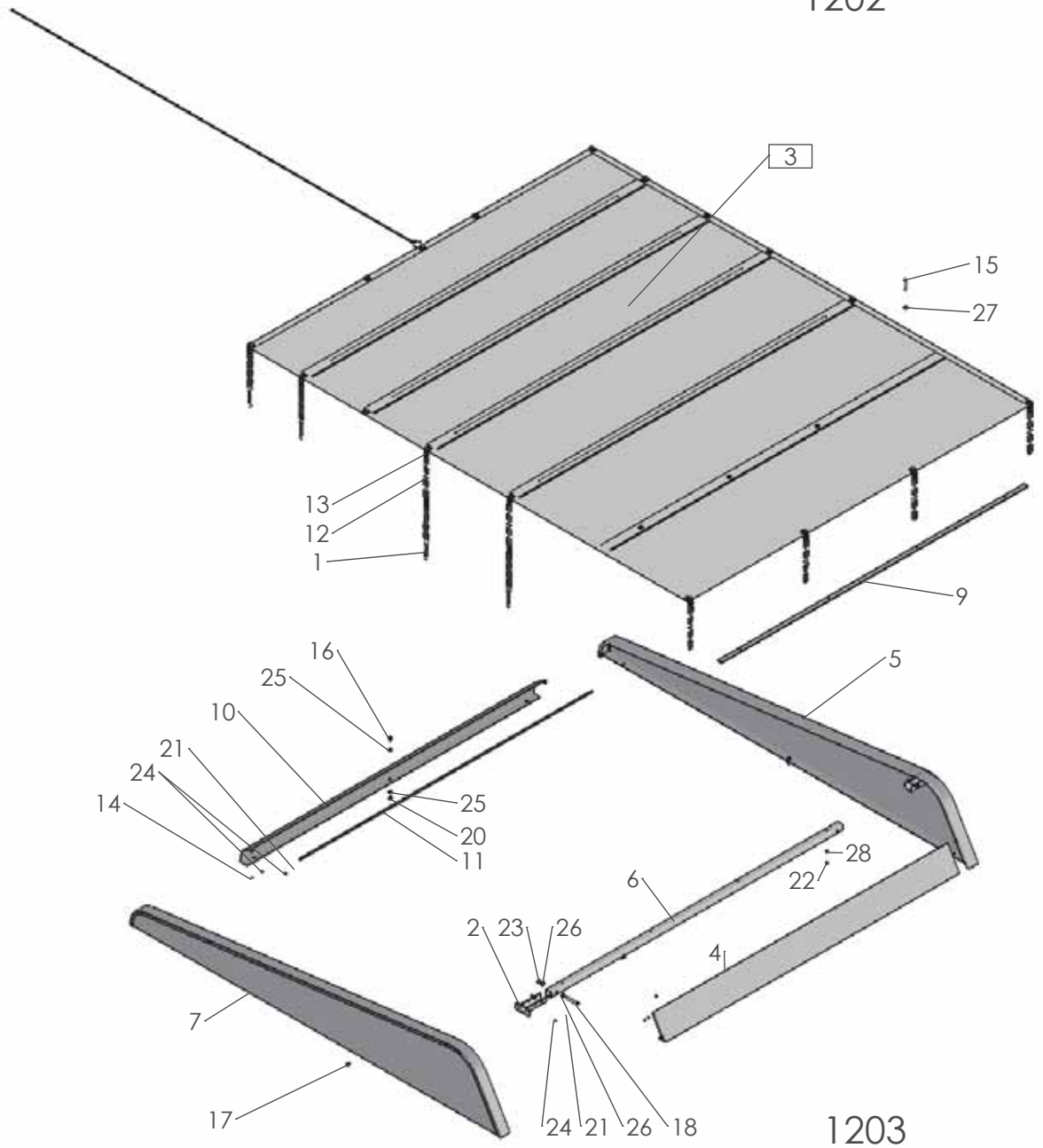


1188

Pos nr/ Ref No	Detalj nr/ Part No	Benämning	Description
1188 Ö	22250	STEGE	LADDER
1	4165 17649 00	Rörsprint, Ø8	Shaft locking pin, Ø8
2	4165 22479 00	Förstärkningsjärn	Reinforcement
3	4734 11 73 09	Bricka BRB 10,5x 20 A2	Washer ISO 7089 - 10
4	4725 24 95 40	Skruv M6S 10x 30 A2-80	Bolt ISO 4014 - M10 x 30 A2-80
5	4725 24 93 40	Skruv M6S 10x 25 A2-80	Bolt ISO 4014-M10x25 A2-80
6	4725 64 93 01	Skruv MF6S 10x 25- 8.8 FZB	Bolt ISO 10642 - M10 x 20
7	4732 21 20 90	Mutter M6M 10 NF A2-80	Nut DIN 985- M10 A2-80
8	4165 24567 30	Övre stege del 1, 4024	Ladder part 1, 4024
9	4165 24568 30	Övre stege del 2, 4024	Ladder part 2
10	4165 22267 30	Nedre stege	Lower ladder
11	4165 22274 30	Stegförlängning	Ladder extencion
12	4165 96783 00	Ledstångshylsa, kompl	Sleeve
13	4165 16558 50	Ledstång, kompl	Hand railing



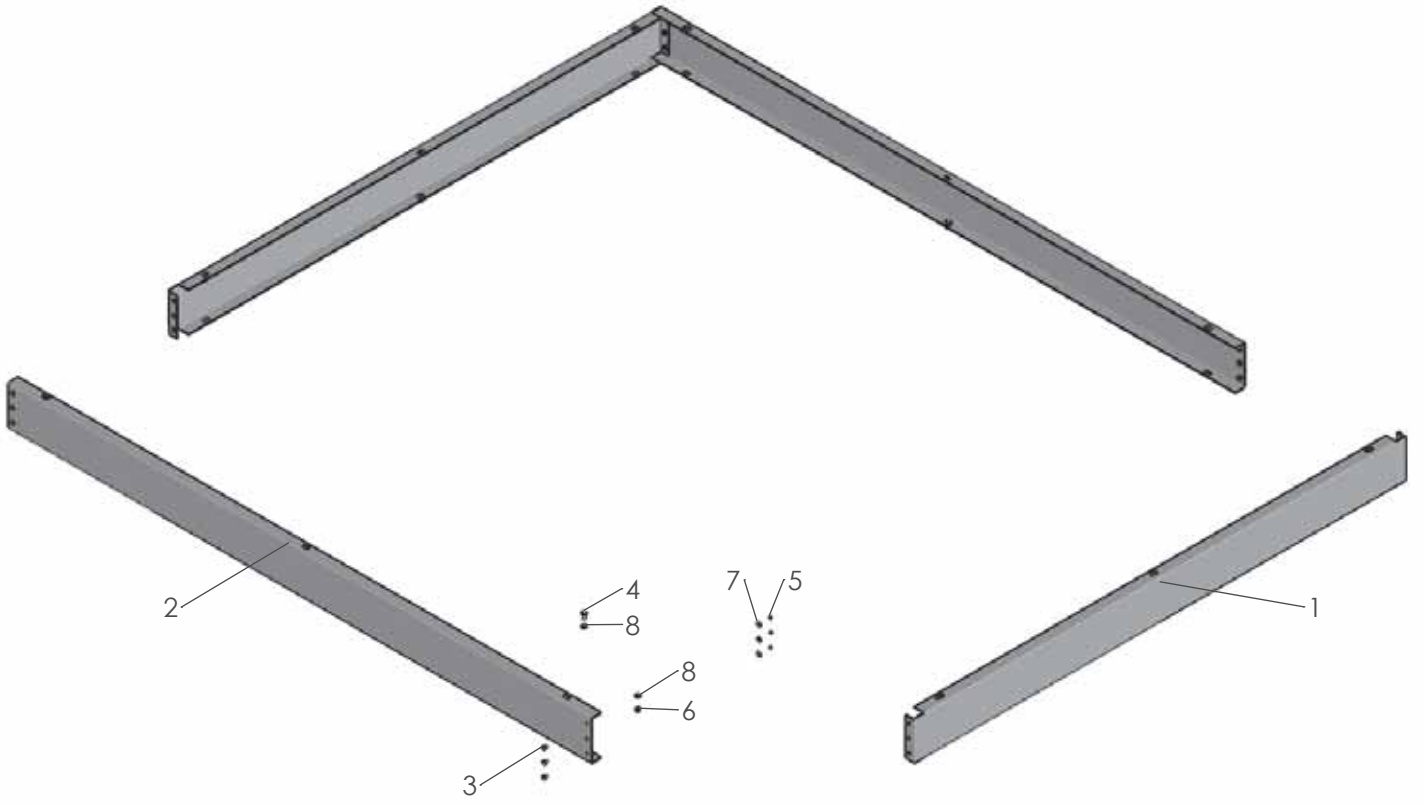
1202



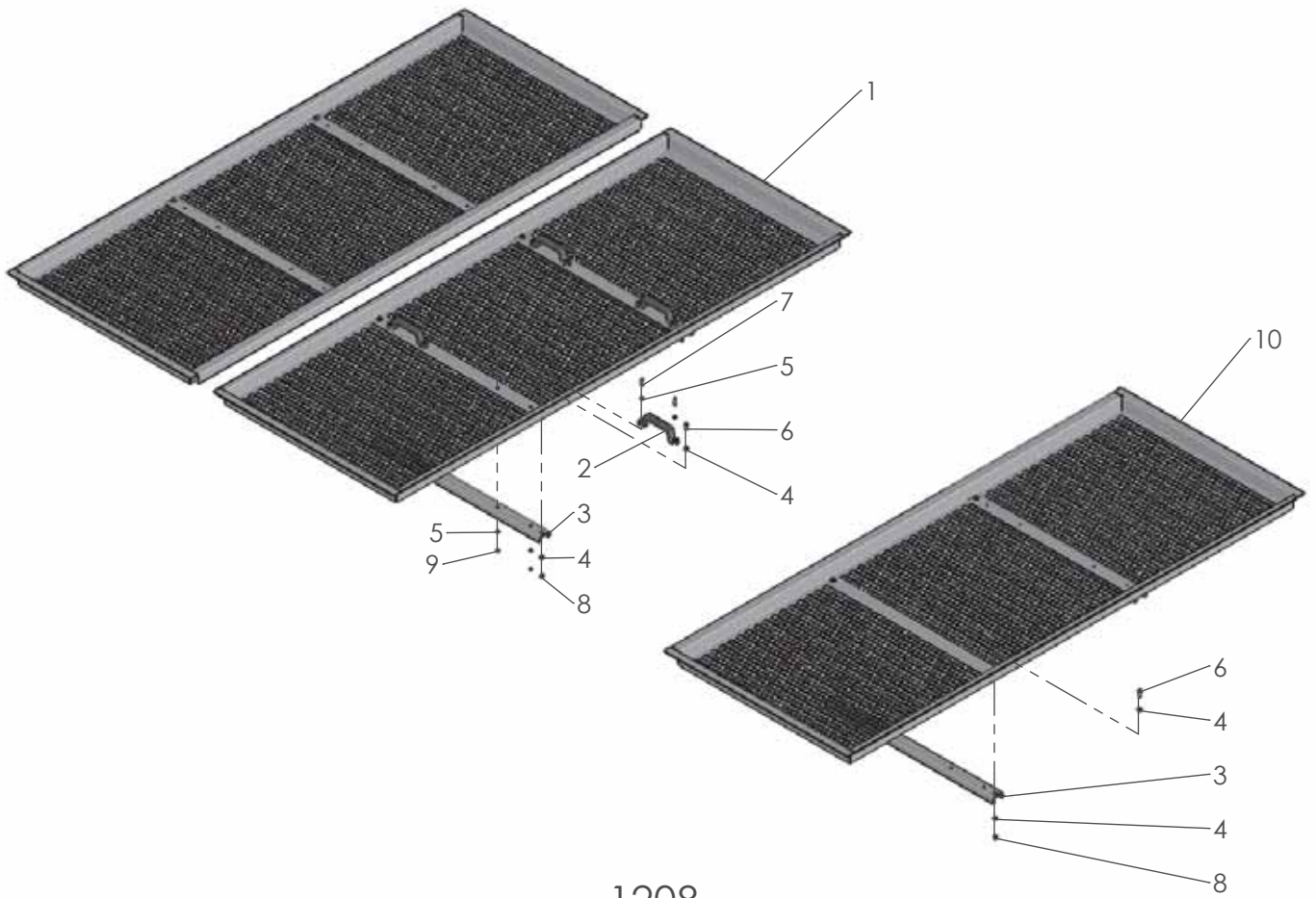
1203

Pos nr/ Ref No	Detalj nr/ Part No	Benämning	Description
1202 Ö		BEHÅLLARE	HOPPER
1	4165 11183 81	Plastknopp	Plastic knob
2	4165 19675 00	Handtag	Handle
3	4165 30757 00	Snabbfäste, hondel	Receptacle
4	4165 30760 00	Låsbricka	Retainer
5	4165 33155 00	Distansplåt	Spacer plate
6	4165 33156 00	Spjäll	Shutter
7	4165 33159 00	Lock, kompl	Cover, comp
8	4165 33161 30	Skydd S, vänster	Cover S, LH
9	4165 33164 00	Snabbblås Philips, handel	Stud Philips
10	4165 33675 30	Stöd till lucka	Cover support
11	4165 35154 00	Behållare 4000L, S -16	Hopper 4000L, S -16
12	4165 35162 30	Skydd S, höger -16	Cover S, RH -16
13	4165 98779 00	Blindnit, Ø4,8x20	Pop rivet, Ø4,8x20
14	4725 23 70 40	Skruv M6S 6x 20 A2-80	Bolt ISO 4014 - M6 x 20
15	4725 24 53 40	Skruv M6S 8x 25 A2-80	Bolt ISO 4014- M8x 25 A2-80
16	4726 34 49 01	Skruv VS 8x 16- 4.6 FZB	Wing screw DIN 316-M8X16 FZB
17	4727 63 68 40	Skruv MVBF 6x 16 A2	Bolt ISO 8677-M6x16
18	4732 21 16 90	Mutter M6M 6 NF A2-80	Nut DIN 985 - M6
19	4732 21 18 90	Mutter M6M 8 NF A2-80	Nut DIN 985 - M8 A2
20	4734 11 53 09	Bricka BRB 6,4x 12 A2	Washer ISO 7089 - 6
21	4734 11 64 09	Bricka BRB 8,4x 16 A2	Washer ISO 7089- 8 A2
22	4762 14 55 02	Kabelgenomföring	Cable inlet

Pos nr/ Ref No	Detalj nr/ Part No	Benämning	Description
1203 Ö		BEHÅLLARTOPP	HOPPER TOPP
1	4165 11183 39	Stegstropp	Rubber strap
2	4165 27245 40	Rörfäste	Bracket
3	4165 33043 00	Presenning S, komplett	Tarpaulin S, cpl
4	4165 33044 00	Bakre spillplåt, S	Rear extension, S
5	4165 33045 00	Pontonbåge, S	Tarpaulin support, S
6	4165 33046 00	Kvadratrör, KR 40x40x3, L=2150	Square tube, KR 40x40x3, L=2150
7	4165 33048 00	Behållartopp S, vänster	Hopper top S, left
8	4165 33050 00	Behållartopp S, höger	Hopper top S, right
9	4165 33053 40	Presenningslist, S	Tarpaulin strip, S
10	4165 33369 00	Främre plåt, behållartopp	Front plate, hopper top
11	4165 33384 00	Kantskoningslist, L=2150	Strip, L=2150
12	4165 35319 00	Stegstropp	Rubber strap
13	4165 35320 00	Fästrem	Strap
14	4725 23 67 40	Skruv M6S 6x 14 A2-80	Bolt ISO 4014 - M6 x 14 A2-80
15	4725 24 63 40	Skruv M6S 8x 60 A2-80	Bolt ISO 4014 - M8 x 60 A2-80
16	4725 24 91 40	Skruv M6S 10x 20 A2-80	Bolt ISO 4014 - M10 x 20
17	4727 63 70 40	Skruv MVBF 6x 20 A2	Bolt ISO 8677-M6x20
18	4725 25 47 57	Skruv M6S 12x 75- 8.8 FZV	Bolt ISO 4014 - M12 x 75 FZV
19	4722 78 69 50	Blindnit, Ø4,8x11,5	Blind rivet, Ø4,8x11,5
20	4732 21 20 90	Mutter M6M 10 NF A2-80	Nut DIN 985- M10 A2-80
21	4732 21 16 90	Mutter M6M 6 NF A2-80	Nut DIN 985 - M6
22	4732 21 18 90	Mutter M6M 8 NF A2-80	Nut DIN 985 - M8 A2
23	4732 21 22 90	Mutter M6M 12 NF A2-80	Nut DIN 985 - M12
24	4734 11 53 09	Bricka BRB 6,4x 12 A2	Washer ISO 7089 - 6
25	4734 11 73 09	Bricka BRB 10,5x 20 A2	Washer ISO 7089 - 10
26	4734 11 78 07	Bricka BRB 13x 24 FZV	Washer ISO 7089 - 12
27	4734 11 64 49	Bricka DIN 9021 8,4x24 A2	Washer DIN 9021 - 8.4
28	4734 11 64 09	Bricka BRB 8,4x 16 A2	Washer ISO 7089- 8 A2



1204

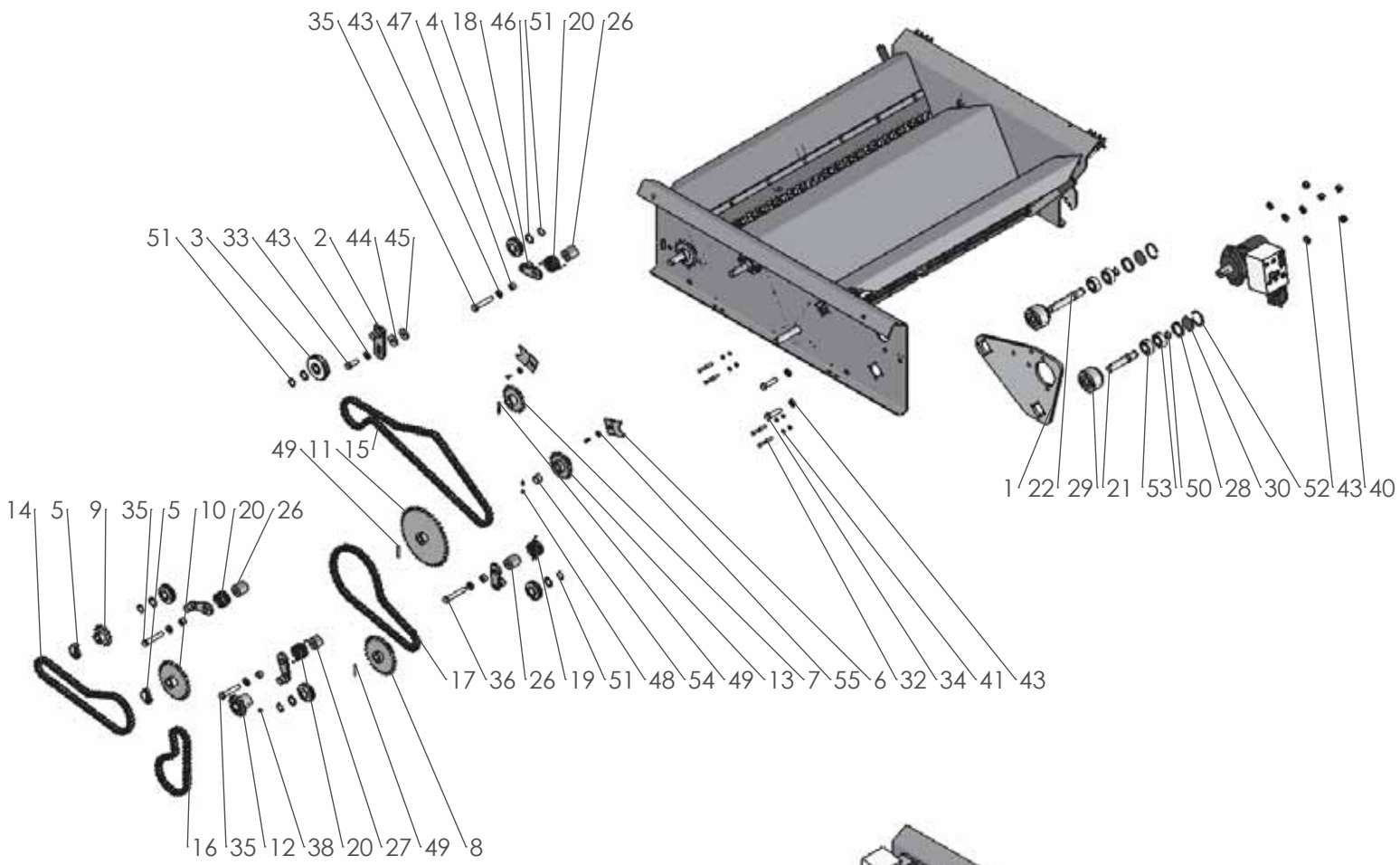


1208

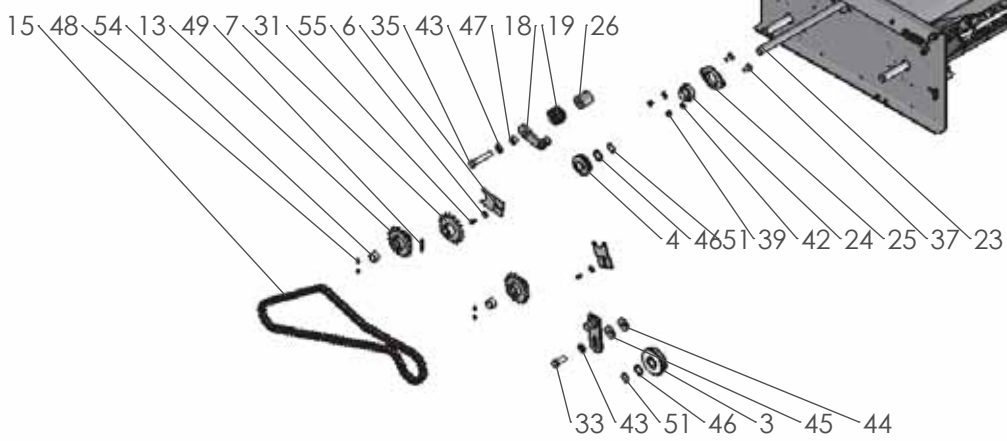
Pos nr/ Ref No	Detalj nr/ Part No	Benämning	Description
1204 Ö	33058	BEHÅLLARFÖRHÖJNING 1130L	HOPPER EXTENSION 1130L
	4165 33058 00	Behållarförhöjning 1130L, komplett	Hopper extension 1130L, cpl
1	4165 33056 00	Sida, kort	Side, short
2	4165 33055 00	Sida, lång	Side, long
3	4727 63 68 40	Skruv MVBF 6x 16 A2	Bolt ISO 8677-M6x16
4	4725 24 91 40	Skruv M6S 10x 20 A2-80	Bolt ISO 4014 - M10 x 20
5	4732 21 16 90	Mutter M6M 6 NF A2-80	Nut DIN 985 - M6
6	4732 21 20 90	Mutter M6M 10 NF A2-80	Nut DIN 985- M10 A2-80
7	4734 11 53 49	Bricka DIN 9021 6,4x18 A2	Washer DIN 9021 - 6.4
8	4734 11 73 09	Bricka BRB 10,5x 20 A2	Washer ISO 7089 - 10

Pos nr/ Ref No	Detalj nr/ Part No	Benämning	Description
1208 Ö	23117	SÅLL 17 MM	SIEVE 17 MM
	4165 23117 00	Såll 17 mm, komplett	Sieve 17 mm, cpl
1	4165 32491 30	Såll 17x17, mittre	Sieve 17x17, centre
2	4165 19675 00	Handtag	Handle
3	4165 23118 30	Stöd till såll	Support
4	4734 11 64 09	Bricka BRB 8,4x 16 A2	Washer ISO 7089- 8 A2
5	4734 11 53 09	Bricka BRB 6,4x 12 A2	Washer ISO 7089 - 6
6	4725 24 51 40	Skruv M6S 8x 20 A2-80	Bolt ISO 4014 - M8 x 20 A2-80
7	4725 23 72 40	Skruv M6S 6x 25 A2-80	Bolt ISO 4014 - M6 x 25 A2-80
8	4732 21 18 90	Mutter M6M 8 NF A2-80	Nut DIN 985 - M8 A2
9	4732 21 16 90	Mutter M6M 6 NF A2-80	Nut DIN 985 - M6
10	4165 32492 30	Såll 17x17, främre/bakre	Sieve 17x17, front/rear

12m
Höger sida
RH-side



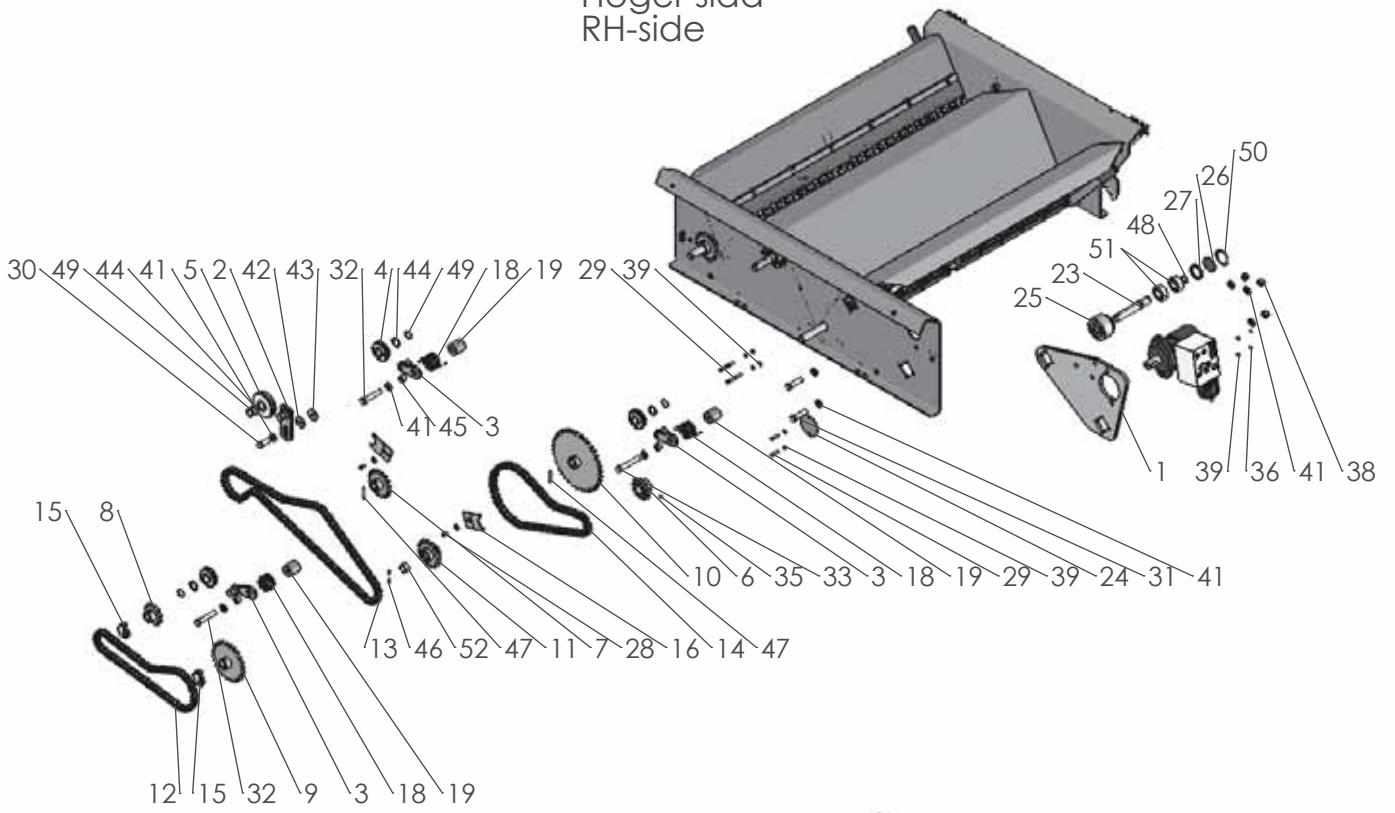
12m
Vänster sida
LH-side



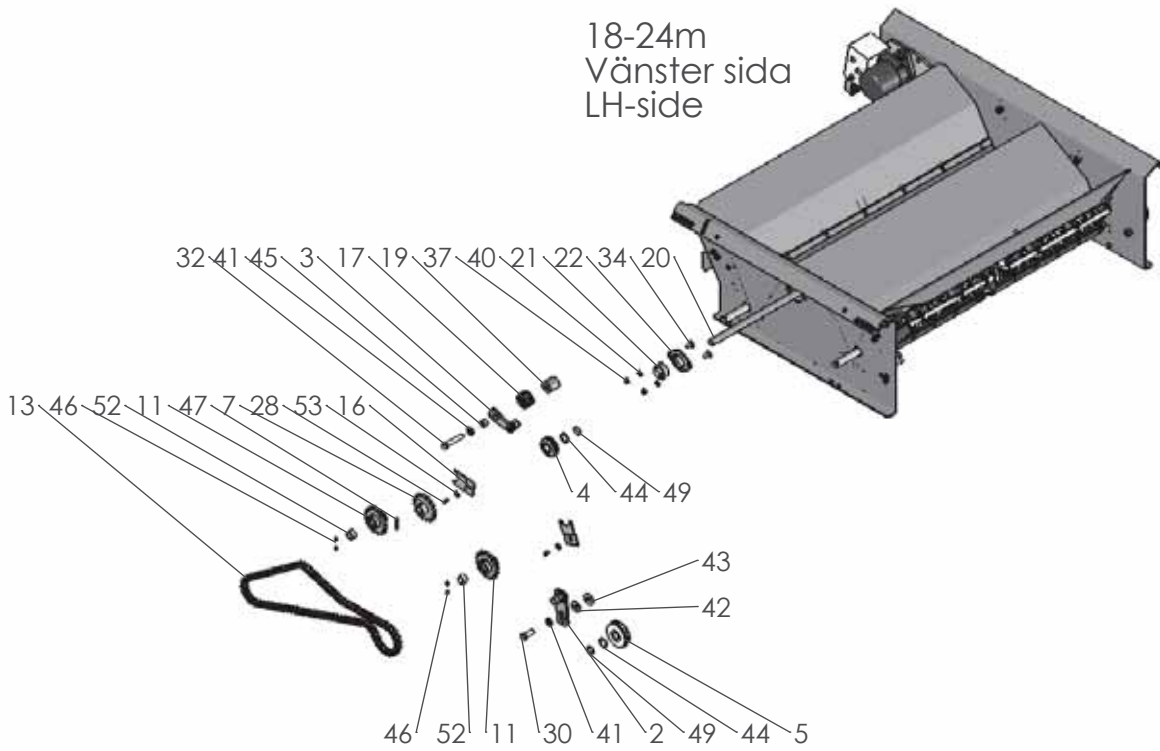
1408

Pos nr/ Ref No	Detalj nr/ Part No	Benämning	Description
1408 Ö	35156	DRIVANORDNING 12M	DRIVE UNIT 12M
1	4165 35157 40	Hydraulmotorfäste -16	Hydraulic motor bracket -16
2	4165 11150 76	Spännarm, kompl	Tightener arm
3	4165 33636 00	Rulle 10B, Ø80	Roller 10B, Ø80
4	4165 11143 02	Rulle, Ø60	Roller, Ø60
5	4165 16556 00	Ringsprint, Ø8x37	Linch pin, Ø8x37
6	4165 11153 37	Axialstyrning (h=6)	Guide (h=6)
7	4165 32599 00	Kedjehjul 10B 16t, kompl	Sprocket 10B 16t, cpl
8	4165 33012 00	Kedjehjul 10B 12t & 24t, kompl	Sprocket 10B 12t & 24t, cpl
9	4165 33014 00	Kedjehjul 10B 12t, kompl	Sprocket 10B 12t, cpl
10	4165 33015 00	Kedjehjul 10B 24t, kompl	Sprocket 10B 24t, cpl
11	4165 33018 00	Kedjehjul 10B 38t, kompl	Sprocket 10B 38t, cpl
12	4165 33021 00	Kedjehjul 10B 12t, kompl	Sprocket 10B 12t, cpl
13	4165 33310 00	Kedjehjul 10B 16t, kompl	Sprocket 10B 16t, cpl
14	4165 33761 00	Rullkedja 5/8", typ 10B, 58 länk kompl	Roller chain, 5/8", type 10B, 58 link comp
15	4165 33762 00	Rullkedja 5/8", typ 10B, 92 länk kompl	Roller chain, 5/8", type 10B, 92 link comp
16	4165 34713 00	Rullkedja 5/8", typ 10B 39 länk kompl	Roller chain, 5/8", type 10B 39 link comp
17	4165 34774 00	Rullkedja 5/8", typ 10B, 58 länk kompl	Roller chain, 5/8", type 10B, 58 link comp
18	4165 26702 00	Spännarm, kompl	Tightener arm
19	4165 27568 00	Vridfjäder, högerlindad	Torsion spring, RH
20	4165 27569 00	Vridfjäder, vänsterlindad	Torsion spring, LH
21	4165 33008 00	Axel, Ø20/25x115	Axle, Ø20/25x115
22	4165 33009 00	Axel, Ø20/25x139	Axle, Ø20/25x139
23	4165 32555 00	Mellanaxel	Middle axle
24	4165 27695 00	Y-lager, Ø20	Y-bearing, Ø20
25	4165 27696 00	Lagerhus	Bearing housing
26	4165 28659 00	Hylsa, Ø12,25/35x36,5	Sleeve, Ø12,25/35x36,5
27	4165 35221 00	Hylsa, Ø12,25/35x24,5	Sleeve, Ø12,25/35x24,5
28	500031422	Hylsa, Ø38,1/46,1x5	Sleeve, Ø38,1/46,1x5
29	500032473	Nav, Ø70x48,5	Hub, Ø70x48,5
30	500032474	Skyddsbricka, Ø46,4x1,5	Guard washer, Ø46,4x1,5
31	4725 23 66 40	Skruv M6S 6x 12 A2-80	Bolt ISO 4014 - M6 x 12 A2-80
32	4725 23 72 40	Skruv M6S 6x 25 A2-80	Bolt ISO 4014 - M6 x 25 A2-80
33	4725 25 38 57	Skruv M6S 12x 35- 8.8 FZV	Bolt ISO 4014 - M12 x 35-8.8
34	4725 25 42 57	Skruv M6S 12x 50- 8.8 FZV	Bolt ISO 4014 - M12 x 50-8.8 FZV
35	4725 25 46 57	Skruv M6S 12x 70- 8.8 FZV	Bolt ISO 4014 - M12 x 70-8.8 FZV
36	4725 25 48 57	Skruv M6S 12x 80- 8.8 FZV	Bolt ISO 4014 - M12 x 80- 8.8
37	4727 64 51 40	Skruv MVBF 8x 20 A2	Bolt ISO 8677-M8x20
38	4728 83 62 01	Skruv SK6SS 6x 8 FZB	Bolt ISO 4029-M 6x 8
39	4732 21 18 90	Mutter M6M 8 NF A2-80	Nut DIN 985 - M8 A2
40	4732 21 22 90	Mutter M6M 12 NF A2-80	Nut DIN 985 - M12
41	4734 11 53 09	Bricka BRB 6,4x 12 A2	Washer ISO 7089 - 6
42	4734 11 64 09	Bricka BRB 8,4x 16 A2	Washer ISO 7089- 8 A2
43	4734 11 78 07	Bricka BRB 13x 24 FZV	Washer ISO 7089 - 12
44	4165 03618 34	Bricka SRKB 12,5x35x3 FZB	Washer ISO 1300 - 12x3
45	4165 03618 33	Bricka SRKB 12,5x35x2 FZB	Washer ISO 1300 - 12x2
46	4165 10301 07	Bricka, Ø23/30x2	Washer, Ø23/30x2
47	4165 26705 00	Bricka, Ø12/20x12	Washer, Ø12/20x12
48	4721 43 04 40	Fjädrande rörpinne FRP 5x 12 RFS	Spring Pin ISO 8752 - 5 x 12
49	4721 43 16 40	Fjädrande rörpinne FRP 5x 40 RFS	Spring Pin ISO 8752 - 5 x 40 - St
50	4735 31 22 01	Spårring SgA 20 FZB	Circlip DIN 471 - 20 x 1.2
51	4735 31 24 01	Spårring SgA 22 FZB	Circlip DIN 471 - 22 x 1.2
52	4735 31 40 11	Spårring SgH 47 FZB	Circlip DIN 472 - 47 x 1.75
53	4738 22 04 19	Kullager 6204-2RS1	Ball bearing, 6204-2RS1
54	4165 27562 00	Glidlager, Ø20/25x15	Slide bearing, Ø20/25x15
55	4734 11 53 49	Bricka DIN 9021 6,4x18 A2	Washer DIN 9021 - 6.4
56	4165 30757 00	Snabbfäste, hondel	Receptacle

18-24m
Höger sida
RH-side

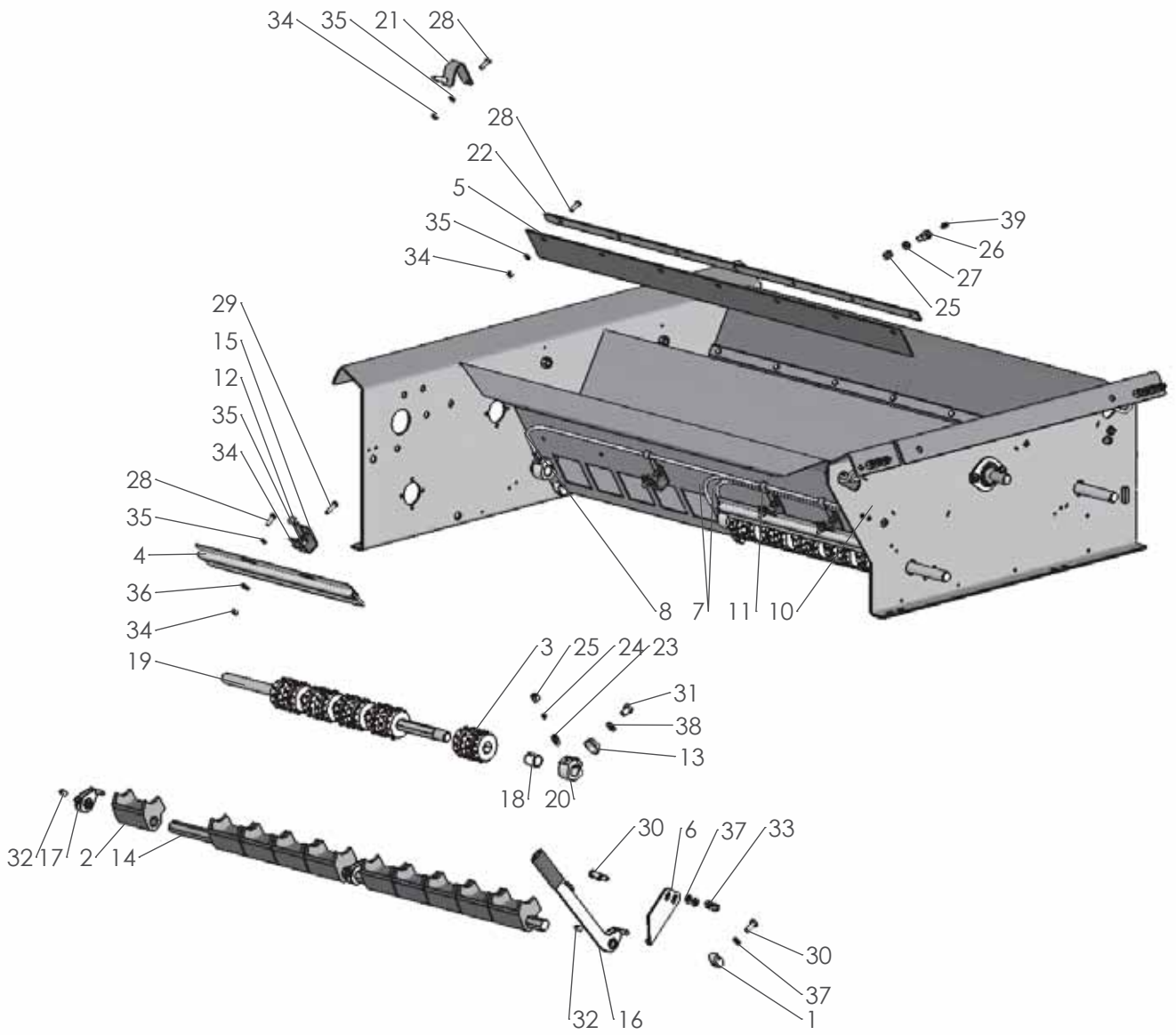


18-24m
Vänster sida
LH-side



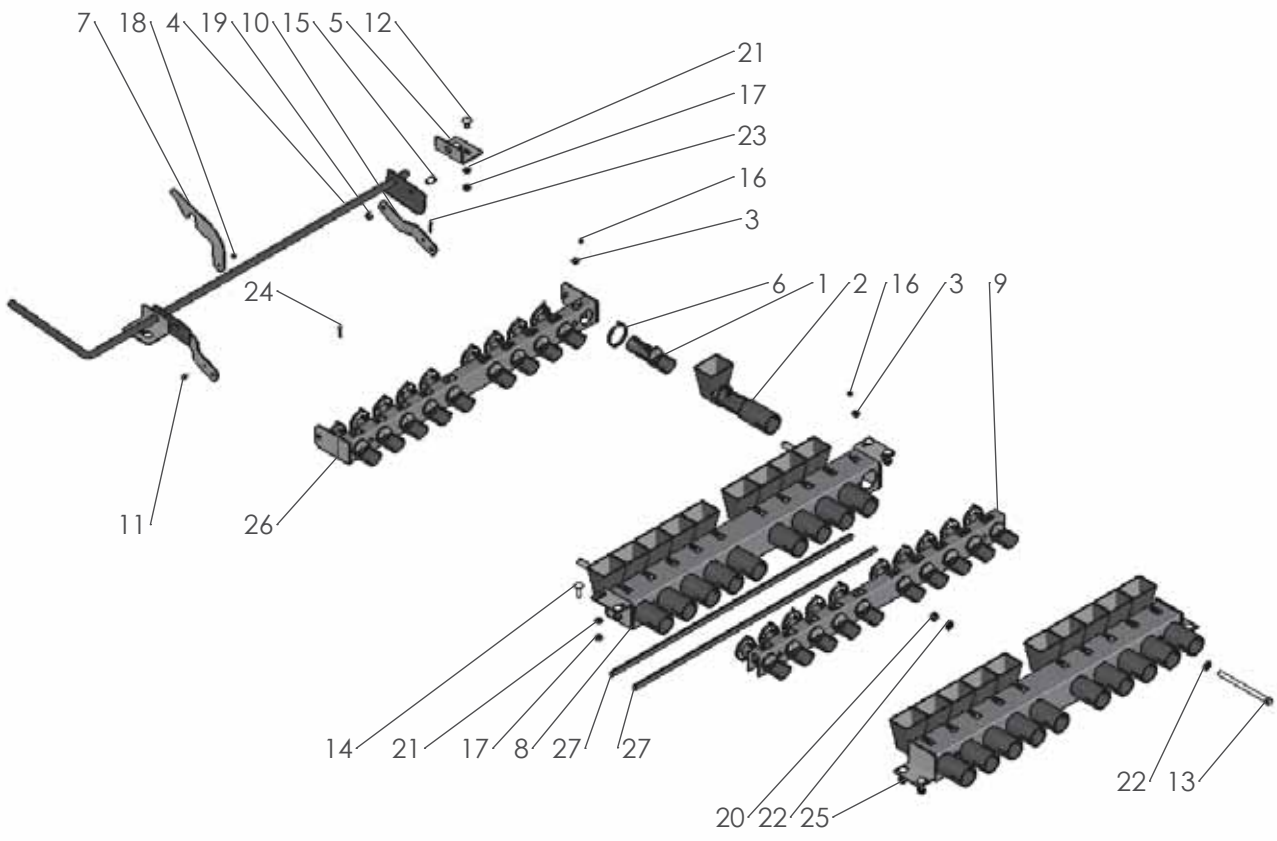
1409

Pos nr/ Ref No	Detalj nr/ Part No	Benämning	Description
1409 Ö	35156	DRIVANORDNING 18-24M	DRIVE UNIT 18-24M
1	4165 35157 40	Hydraulmotorfäste -16	Hydraulic motor bracket -16
2	4165 11150 76	Spännarm, kompl	Tightener arm
3	4165 26702 00	Spännarm, kompl	Tightener arm
4	4165 11143 02	Rulle, Ø60	Roller, Ø60
5	4165 33636 00	Rulle 10B, Ø80	Roller 10B, Ø80
6	4165 32583 00	Kedjehjul 10B 12t, kompl	Sprocket 10B 12t, cpl
7	4165 32599 00	Kedjehjul 10B 16t, kompl	Sprocket 10B 16t, cpl
8	4165 33014 00	Kedjehjul 10B 12t, kompl	Sprocket 10B 12t, cpl
9	4165 33015 00	Kedjehjul 10B 24t, kompl	Sprocket 10B 24t, cpl
10	4165 33018 00	Kedjehjul 10B 38t, kompl	Sprocket 10B 38t, cpl
11	4165 33310 00	Kedjehjul 10B 16t, kompl	Sprocket 10B 16t, cpl
12	4165 33761 00	Rullkedja 5/8", typ 10B, 58 länk kompl	Roller chain, 5/8", type 10B, 58 link comp
13	4165 33762 00	Rullkedja 5/8", typ 10B, 92 länk kompl	Roller chain, 5/8", type 10B, 92 link comp
14	4165 34774 00	Rullkedja 5/8", typ 10B, 58 länk kompl	Roller chain, 5/8", type 10B, 58 link comp
15	4165 16556 00	Ringsprint, Ø8x37	Linch pin, Ø8x37
16	4165 11153 37	Axialstyrning (h=6)	Guide (h=6)
17	4165 27568 00	Vridfjäder, högerlindad	Torsion spring, RH
18	4165 27569 00	Vridfjäder, vänsterlindad	Torsion spring, LH
19	4165 28659 00	Hylsa, Ø12,25/35x36,5	Sleeve, Ø12,25/35x36,5
20	4165 32555 00	Mellanaxel	Middle axle
21	4165 27695 00	Y-lager, Ø20	Y-bearing, Ø20
22	4165 27696 00	Lagerhus	Bearing housing
23	4165 33009 00	Axel, Ø20/25x139	Axle, Ø20/25x139
24	4165 33670 00	Lock, Ø70	Cover, Ø70
25	500032473	Nav, Ø70x48,5	Hub, Ø70x48,5
26	500032474	Skyddsbricka, Ø46,4x1,5	Guard washer, Ø46,4x1,5
27	500031422	Hylsa, Ø38,1/46,1x5	Sleeve, Ø38,1/46,1x5
28	4725 23 66 40	Skruv M6S 6x 12 A2-80	Bolt ISO 4014 - M6 x 12 A2-80
29	4725 23 72 40	Skruv M6S 6x 25 A2-80	Bolt ISO 4014 - M6 x 25 A2-80
30	4725 25 38 57	Skruv M6S 12x 35- 8.8 FZV	Bolt ISO 4014 - M12 x 35-8.8
31	4725 25 42 57	Skruv M6S 12x 50- 8.8 FZV	Bolt ISO 4014 - M12 x 50-8.8 FZV
32	4725 25 46 57	Skruv M6S 12x 70- 8.8 FZV	Bolt ISO 4014 - M12 x 70-8.8 FZV
33	4725 25 48 57	Skruv M6S 12x 80- 8.8 FZV	Bolt ISO 4014 - M12 x 80- 8.8
34	4727 64 51 40	Skruv MVBF 8x 20 A2	Bolt ISO 8677-M8x20
35	4728 83 62 01	Skruv SK6SS 6x 8 FZB	Bolt ISO 4029-M 6x 8
36	4731 23 16 40	Mutter M6M 6 A2-80	Hexagon Nut ISO - 4032 - M6 A2-80
37	4732 21 18 90	Mutter M6M 8 NF A2-80	Nut DIN 985 - M8 A2
38	4732 21 22 90	Mutter M6M 12 NF A2-80	Nut DIN 985 - M12
39	4734 11 53 09	Bricka BRB 6,4x 12 A2	Washer ISO 7089 - 6
40	4734 11 64 09	Bricka BRB 8,4x 16 A2	Washer ISO 7089- 8 A2
41	4734 11 78 07	Bricka BRB 13x 24 FZV	Washer ISO 7089 - 12
42	4165 03618 33	Bricka SRKB 12,5x35x2 FZB	Washer ISO 1300 - 12x2
43	4165 03618 34	Bricka SRKB 12,5x35x3 FZB	Washer ISO 1300 - 12x3
44	4165 10301 07	Bricka, Ø23/30x2	Washer, Ø23/30x2
45	4165 26705 00	Bricka, Ø12/20x12	Washer, Ø12/20x12
46	4721 43 04 40	Fjädrande rörpinne FRP 5x 12 RFS	Spring Pin ISO 8752 - 5 x 12
47	4721 43 16 40	Fjädrande rörpinne FRP 5x 40 RFS	Spring Pin ISO 8752 - 5 x 40 - St
48	4735 31 22 01	Spårring SgA 20 FZB	Circlip DIN 471 - 20 x 1.2
49	4735 31 24 01	Spårring SgA 22 FZB	Circlip DIN 471 - 22 x 1.2
50	4735 31 40 11	Spårring SgH 47 FZB	Circlip DIN 472 - 47 x 1.75
51	4738 22 04 19	Kullager 6204-2RS1	Ball bearing, 6204-2RS1
52	4165 27562 00	Glidlager, Ø20/25x15	Slide bearing, Ø20/25x15
53	4734 11 53 49	Bricka DIN 9021 6,4x18 A2	Washer DIN 9021 - 6.4

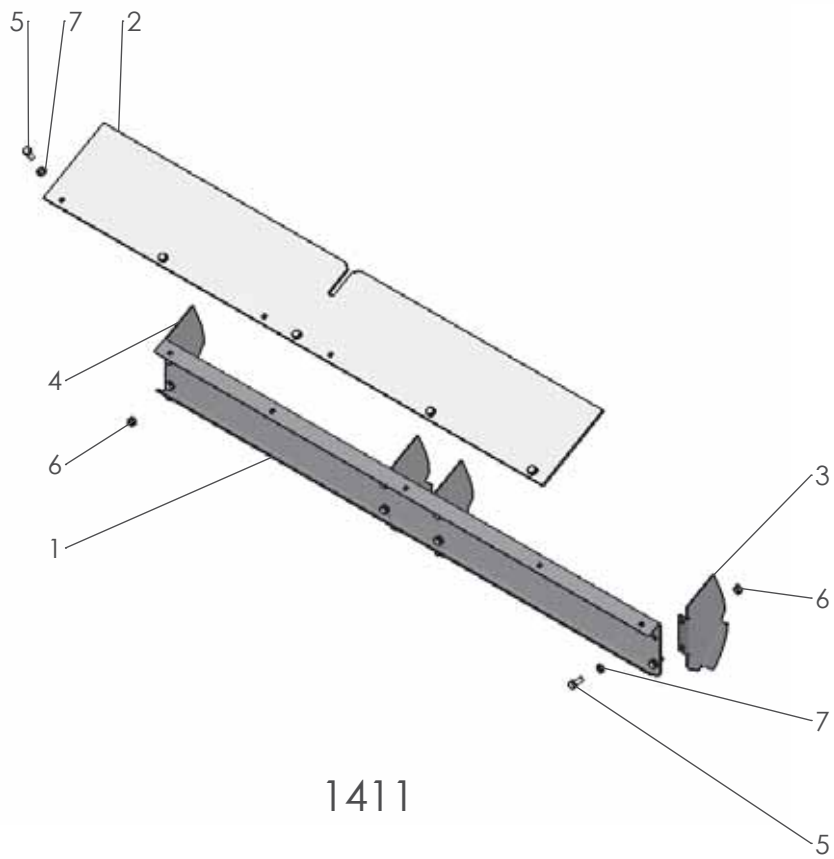


1209

Pos nr/ Ref No	Detalj nr/ Part No	Benämning	Description
1209 Ö	33155	UTMATNING	FEEDING SYSTEM
1	4165 11143 39	Lager	Bearing
2	4165 12163 09	Matarklaff	Feed gate
3	4165 12166 20	Matarvals dubbel	Feed roller dubble
4	4165 12185 57	Valsborste	Feed roller brush
5	4165 14186 00	Gummiskärm, L=1020	Rubber strip, L=1020
6	4165 15374 00	Segment 1	Segment 1
7	4 165 16536 50	Smörjslang, L=870	Grease tube, L=870
8	4 165 16536 60	Smörjslang, L=1330	Grease tube, L=1330
9	4165 16536 90	Smörjslang, L=25000	Greasing hose, L=25000
10	4165 17228 00	Smörjslang, L=545	Grease tube, L=545
11	4165 17230 00	Slangklammer 18	Hose clamp
12	4165 17231 00	Slangklammer	Hose clamp
13	4165 17758 00	Kopp	Cap
14	4165 20663 02	Sexkantaxel, rostfri	Hexagon bar, stainless
15	4165 21631 00	Fäste för valsborste	Bracket for brush
16	4165 23073 00	Spak rostfri	Lever
17	4165 23085 00	Gångjärn, rostfritt	Hinge
18	4165 27684 00	Glidlager, Ø20/23x25	Slide bearing, Ø20/23x25
19	4165 29448 00	Mataraxel främre, 1/4 avst	Feed shaft front, 1/4 shut off
20	4165 29545 00	Lagerhus	Bearing house
21	4165 35178 00	Fäste, kompl	Bracket, cpl
22	4165 97982 00	List	Strip
23	4 165 99382 00	Rakadapt	Straight union
24	4 165 99383 00	Skäring Ø8	Cutting ring Ø8
25	4 165 99384 00	Mutter, M10x1	Nut, M10x1
26	4 165 99417 00	Rak adapt	Coupling straight
27	4 165 99418 00	Kontra mutter M10	Nut M10
28	4725 23 70 40	Skruv M6S 6x 20 A2-80	Bolt ISO 4014 - M6 x 20
29	4725 23 72 40	Skruv M6S 6x 25 A2-80	Bolt ISO 4014 - M6 x 25 A2-80
30	4725 24 51 40	Skruv M6S 8x 20 A2-80	Bolt ISO 4014 - M8 x 20 A2-80
31	4725 24 88 40	Skruv M6S 10x 14 A2-80	Bolt ISO 4014 - M10 x 14 A2-80
32	4728 84 49 09	Skruv SK6SS 8x 16 A2	Set screw ISO 4029 - M8 x 16
33	4732 21 18 90	Mutter M6M 8 NF A2-80	Nut DIN 985 - M8 A2
34	4731 23 16 40	Mutter M6M 6 A2-80	Hexagon Nut ISO - 4032 - M6 A2-80
35	4734 11 53 09	Bricka BRB 6,4x 12 A2	Washer ISO 7089 - 6
36	4734 11 53 49	Bricka DIN 9021 6,4x18 A2	Washer DIN 9021 - 6.4
37	4734 11 64 09	Bricka BRB 8,4x 16 A2	Washer ISO 7089 - 8 A2
38	4734 11 73 09	Bricka BRB 10,5x 20 A2	Washer ISO 7089 - 10
39	4738 88 20 03	Smörjnippel, AM 8x1,25 FZB	Grease nipple, AM 8x1,25 FZB



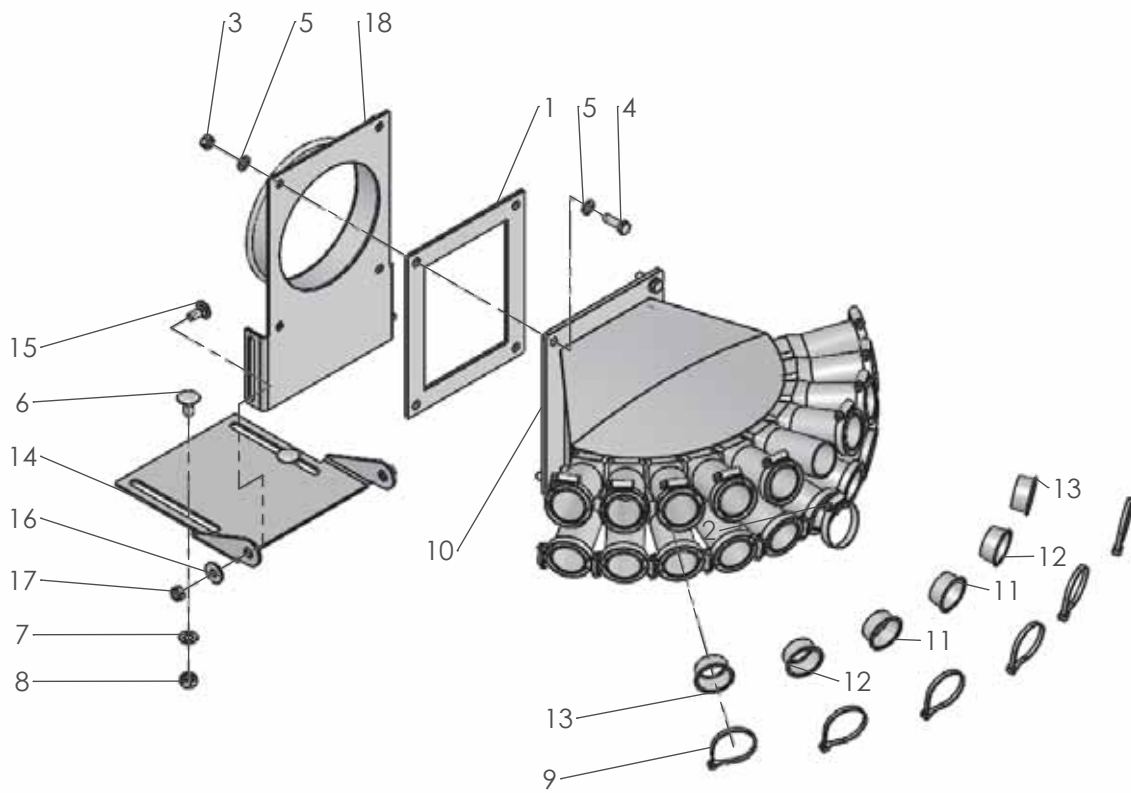
1410



1411

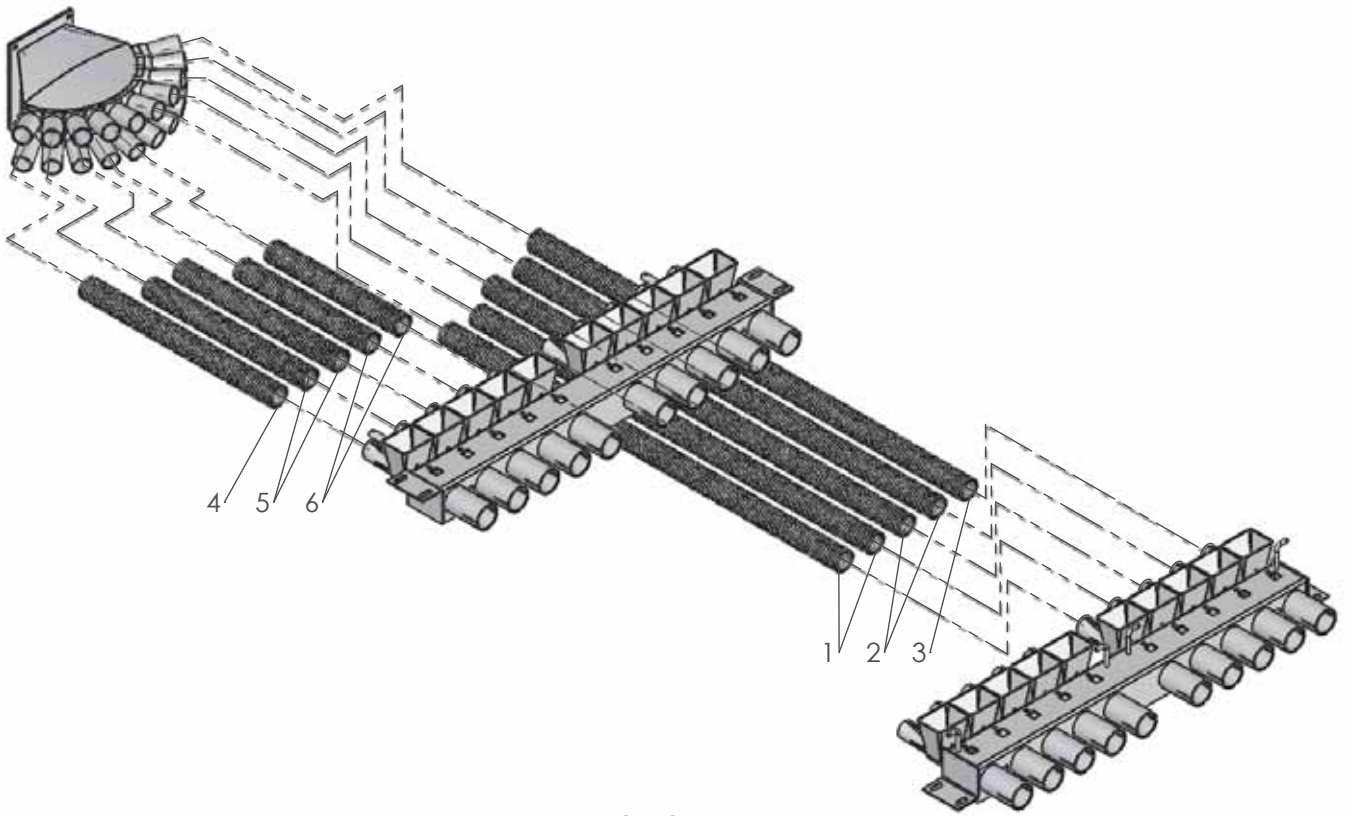
Pos nr/ Ref No	Detalj nr/ Part No	Benämning	Description
1410 Ö	35291	UTMATNINGSANORDNING	FEEDING SYSTEM
1	4165 12189 25	Ejektor utan tratt	Ejector without funnel
2	4165 12751 71	Diffusor med tratt	Diffusor with funnel
3	4165 12983 65	Snabbblåsmutter för skruv nr 12	Quick locking nut for screw nr 12
4	4165 14180 00	Reglage, komplett	Control lever
5	4165 16586 00	Fäste	Bracket
6	4165 25094 00	Buntband svart, L=290	Self locking ties, L=290
7	4165 34356 00	Låsarm	Locking arm
8	4165 97988 00	Nedmatningsramp främre kpl	Ramp for loading
9	4165 97998 00	Ejektorstyrning	Loading tube guide rear
10	4165 98031 00	Stag	Bar stay
11	4725 23 67 40	Skruv M6S 6x 14 A2-80	Bolt ISO 4014 - M6 x 14 A2-80
12	4727 64 91 40	Skruv MVBF 10x 20 A2	Bolt ISO 8677-M10x20
13	4725 25 63 57	Skruv M6S 12x180- 8.8 FZV	Bolt ISO 4014 - M12 x 180
14	4727 64 97 40	Skruv MVBF 10x 35 A2	Bolt ISO 8677-M10x35-35-N
15	4725 24 91 40	Skruv M6S 10x 20 A2-80	Bolt ISO 4014 - M10 x 20
16	4729 54 54 40	Skruv RTS ST5,5x25 A2	Screw ISO 14585-ST5,5x25 A2
17	4731 23 20 40	Mutter M6M 10 A2-80	Nut ISO-4032-M10 A280
18	4732 21 16 90	Mutter M6M 6 NF A2-80	Nut DIN 985 - M6
19	4732 21 20 90	Mutter M6M 10 NF A2-80	Nut DIN 985- M10 A2-80
20	4732 21 22 90	Mutter M6M 12 NF A2-80	Nut DIN 985 - M12
21	4734 11 73 09	Bricka BRB 10,5x 20 A2	Washer ISO 7089 - 10
22	4734 11 78 07	Bricka BRB 13x 24 FZV	Washer ISO 7089 - 12
23	4721 61 97 40	Saxpinne SP 4x 25 A2	Split pin ISO 1234-4x25
24	4721 62 12 40	Saxpinne SP 5x 25 A2	Split pin ISO 1234-5x25
25	4165 35293 00	Nedmatningsramp bakre, kompl -16	Ramp for loading rear, cpl -16
26	4165 35292 00	Ejektorstyrning, främre -16	Ejector guide, front -16
27	4165 37158 00	Kantskoningslist, L=900	Strip, L=900

Pos nr/ Ref No	Detalj nr/ Part No	Benämning	Description
1411 Ö	35226	EJEKTORSKYDD	EJECTOR GUARD
1	4165 35222 00	Skyddsplåt	Guard plate
2	4165 35223 00	Synglas ejektor skydd	Check glass, ejector guard
3	4165 35224 00	Gavel höger	Gable, RH
4	4165 35225 00	Gavel vänster	Gable, LH
5	4725 23 68 40	Skruv M6S 6x 16 A2-80	Bolt ISO 4014 - M6 x 16
6	4732 21 16 90	Mutter M6M 6 NF A2-80	Nut DIN 985 - M6
7	4734 11 53 09	Bricka BRB 6,4x 12 A2	Washer ISO 7089 - 6

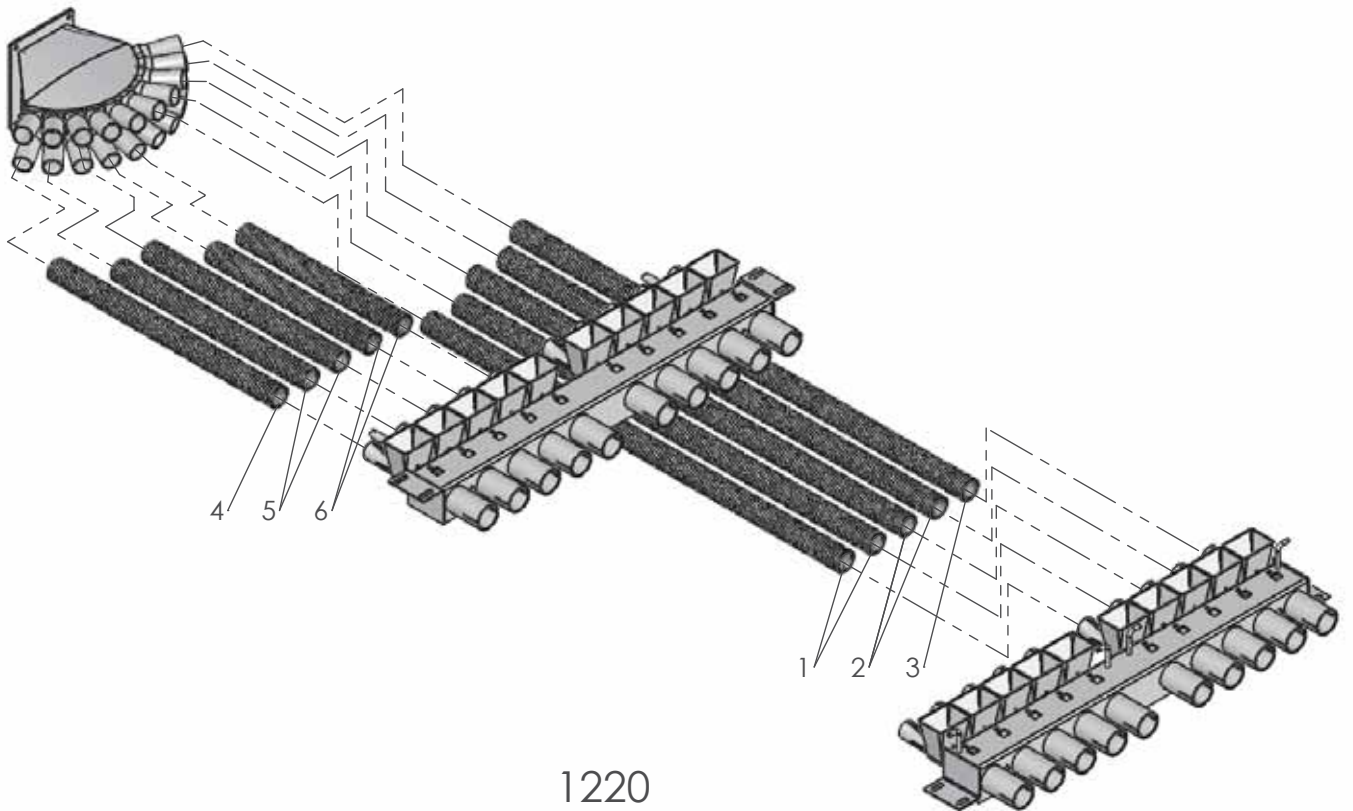


1217

Pos nr/ Ref No	Detalj nr/ Part No	Benämning	Description
1217 Ö	33391	LUFTFÖRDELARE	AIR DISTRIBUTER
1	4165 14270 00	Packning	Gasket
2	4165 19521 00	Slangklämma, Ø32-50	Hose clamp, Ø32-50
3	4731 23 18 07	Mutter M6M 8- 8 FZV	Nut ISO - 4032 - M8 FZV
4	4725 24 53 57	Skruv M6S 8x 25- 8.8 FZV	Bolt ISO 4014 - M8 x 25-8.8
5	4734 11 64 07	Bricka BRB 8,4x 16 FZV	Washer ISO 7089 - 8
6	4727 64 91 40	Skruv MVBF 10x 20 A2	Bolt ISO 8677-M10x20
7	4734 11 73 09	Bricka BRB 10,5x 20 A2	Washer ISO 7089 - 10
8	4731 23 20 40	Mutter M6M 10 A2-80	Nut ISO-4032-M10 A280
9	4165 12002 81	Buntband svart, L=292	Self-locking ties black, L=292
10	4165 12904 88	Luff fördelare, kpl	Air distributor
11	4165 24854 01	Strypplugg	Restrictor plug
12	4165 24854 02	Strypplugg	Restrictor plug
13	4165 24854 03	Strypplugg	Restrictor plug
14	4165 33568 40	Nedre plåt, konsol	Lower plate, consol
15	4727 64 51 40	Skruv MVBF 8x 20 A2	Bolt ISO 8677-M8x20
16	4734 11 64 49	Bricka DIN 9021 8,4x24 A2	Washer DIN 9021 - 8.4
17	4732 21 18 90	Mutter M6M 8 NF A2-80	Nut DIN 985 - M8 A2
18	4165 33570 40	Konsolplåt, kompl	Consol plate, comp



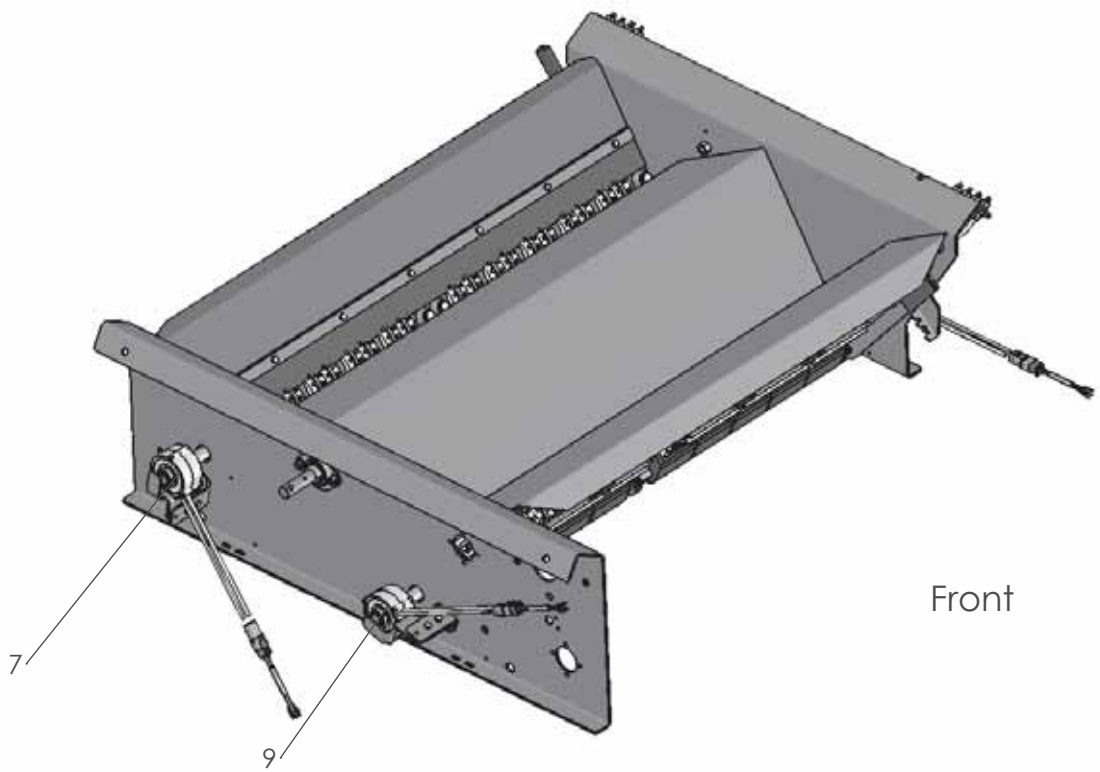
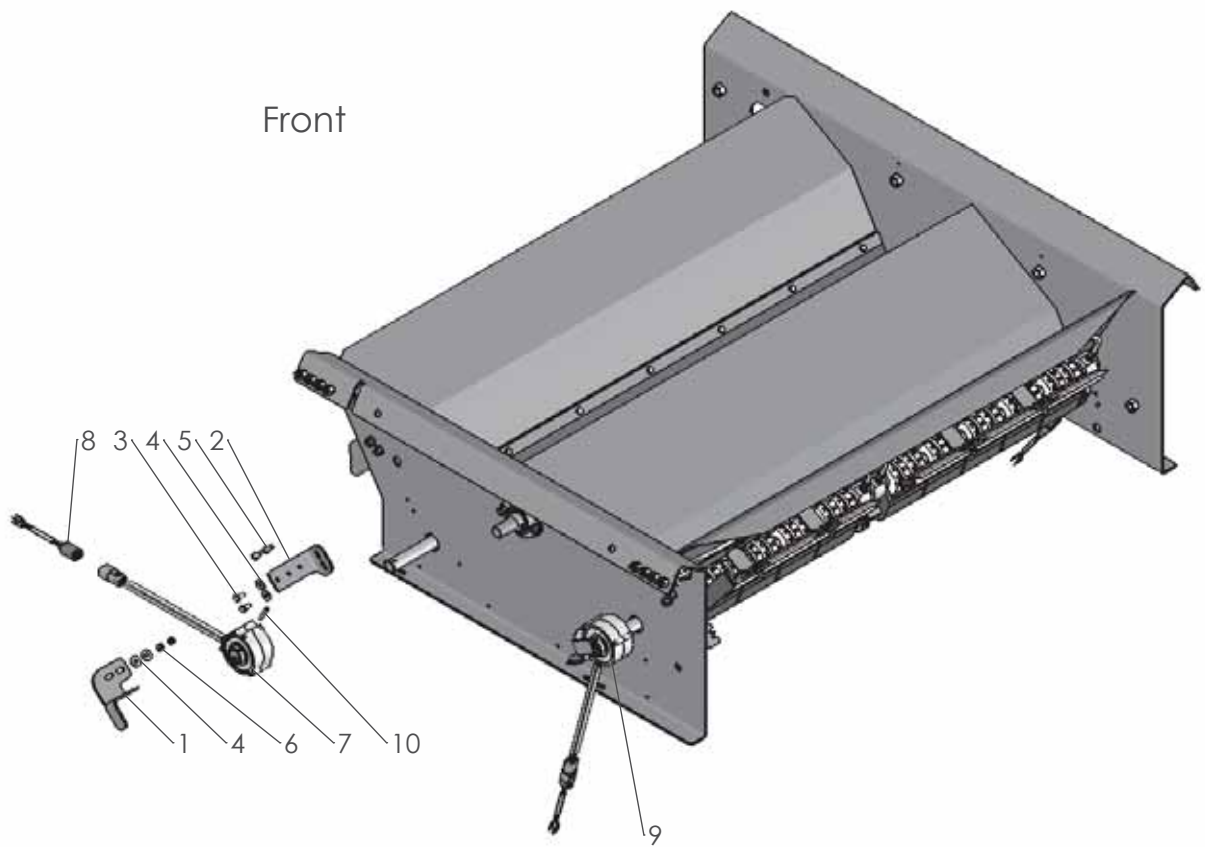
1219



1220

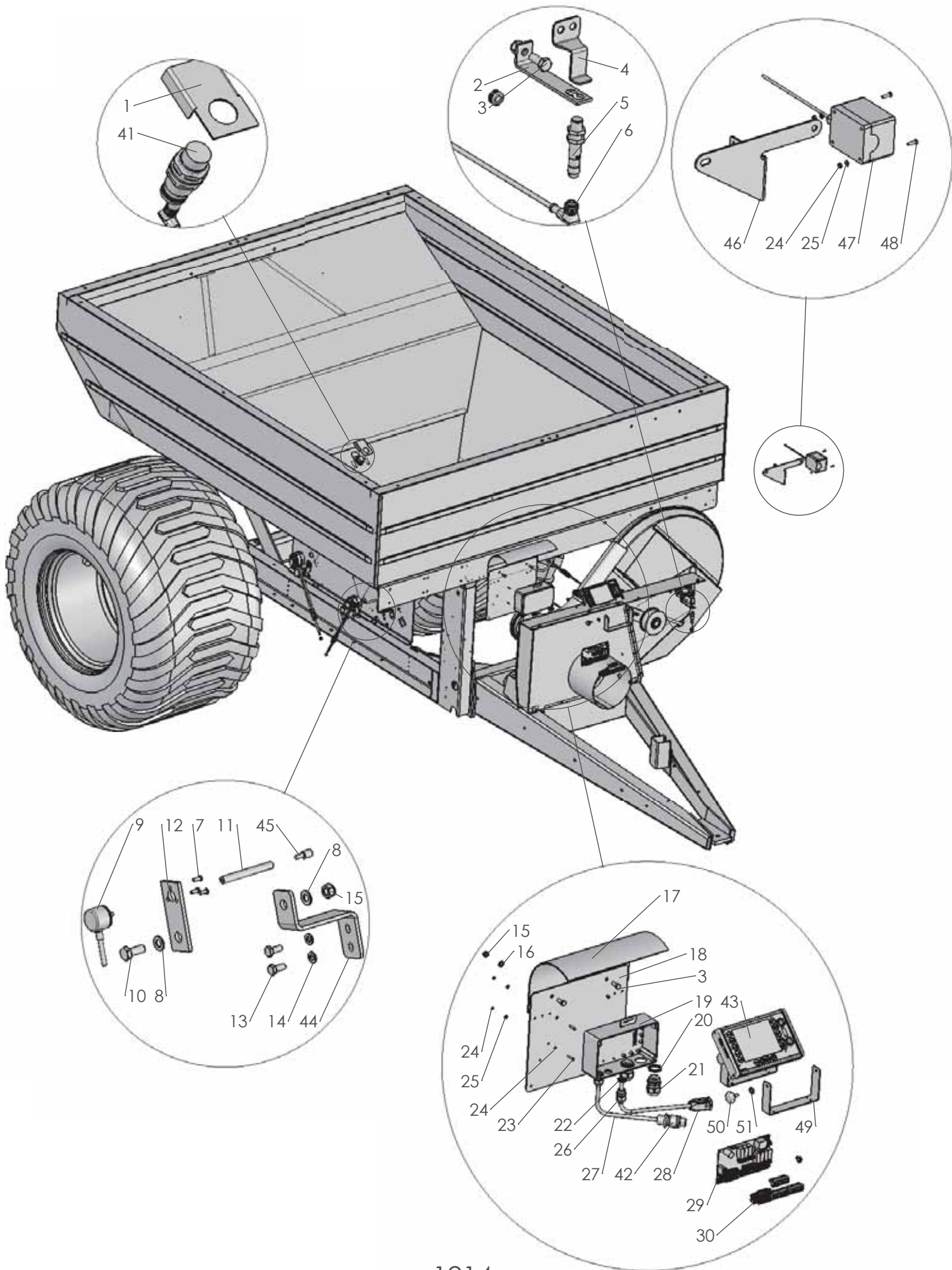
Pos nr/ Ref No	Detalj nr/ Part No	Benämning	Description
1219 Ö	33399	LUFTSLANGAR	AIR HOSES
	4165 19368 00	Luftslang 10m	Air hose 10m
1		Luftslang Ø42, L=1120	Air hose Ø42, L=1120
2		Luftslang Ø42, L=1170	Air hose Ø42, L=1170
3		Luftslang Ø42, L=1220	Air hose Ø42, L=1220
4		Luftslang Ø42, L=540	Air hose Ø42, L=540
5		Luftslang Ø42, L=450	Air hose Ø42, L=450
6		Luftslang Ø42, L=370	Air hose Ø42, L=370

Pos nr/ Ref No	Detalj nr/ Part No	Benämning	Description
1220 Ö	33399	LUFTSLANGAR HÖGT CHASSI	AIR HOSES HIGH CHASSI
	4165 19368 00	Luftslang 10m	Air hose 10m
1		Luftslang Ø42, L=1170	Air hose Ø42, L=1170
2		Luftslang Ø42, L=1220	Air hose Ø42, L=1220
3		Luftslang Ø42, L=1270	Air hose Ø42, L=1270
4		Luftslang Ø42, L=630	Air hose Ø42, L=630
5		Luftslang Ø42, L=540	Air hose Ø42, L=540
6		Luftslang Ø42, L=450	Air hose Ø42, L=450



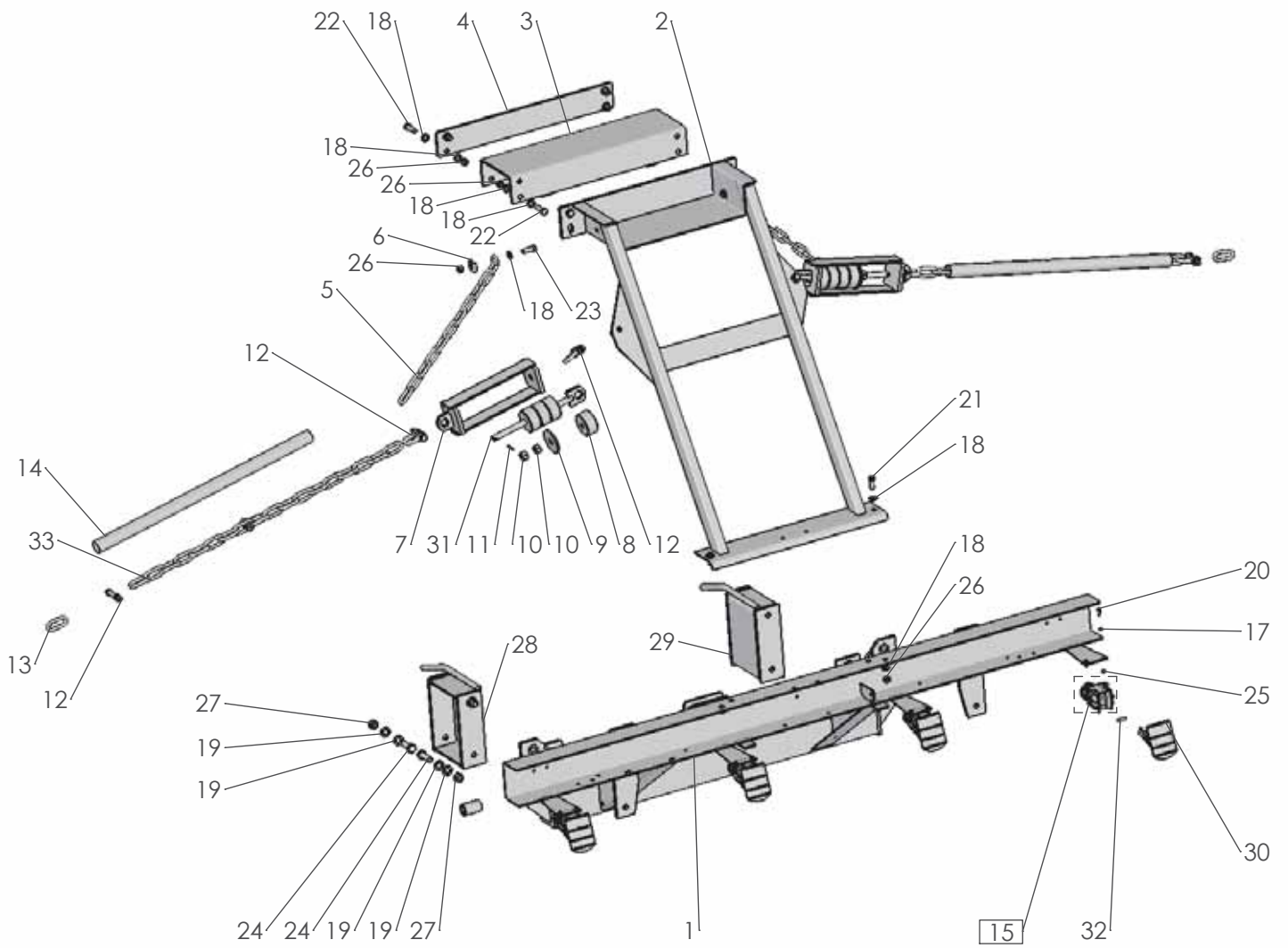
1215

Pos nr/ Ref No	Detalj nr/ Part No	Benämning	Description
1215 Ö		ELDELAVSTÄNGING	PARTIAL SHUT OF
1	4165 29899 00	Rotationsstopp	Bracket
2	4165 29896 00	Rotationsstopp, inre	Bracket, inner
3	4725 23 67 40	Skruv M6S 6x 14 A2-80	Bolt ISO 4014 - M6 x 14 A2-80
4	4734 11 53 49	Bricka DIN 9021 6,4x18 A2	Washer DIN 9021 - 6.4
5	4725 23 68 40	Skruv M6S 6x 16 A2-80	Bolt ISO 4014 - M6 x 16
6	4732 21 16 90	Mutter M6M 6 NF A2-80	Nut DIN 985 - M6
7	4165 32840 00	Vridfjäderkoppling, höger	Jaw clutch coupling, RH
8	4165 30450 00	Kontakt m kabel	Connector w cable
9	4165 32839 00	Vridfjäderkoppling, vänster	Jaw clutch coupling, LH
10	4721 43 14 40	Fjädrande rörpinne FRP 5x 32 RFS	Spring Pin ISO 8752 - 5 x 12



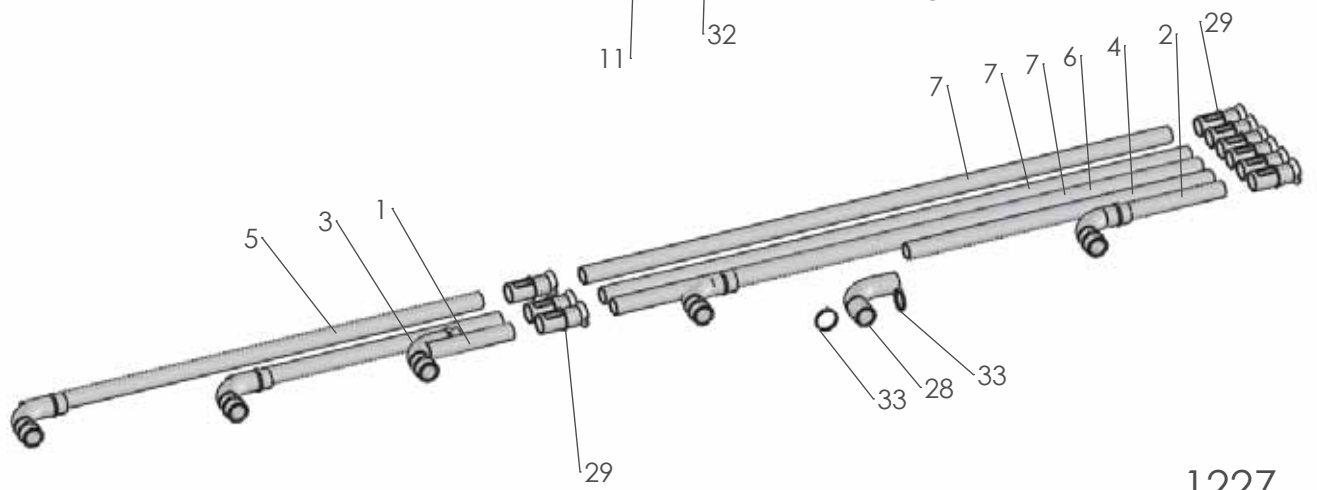
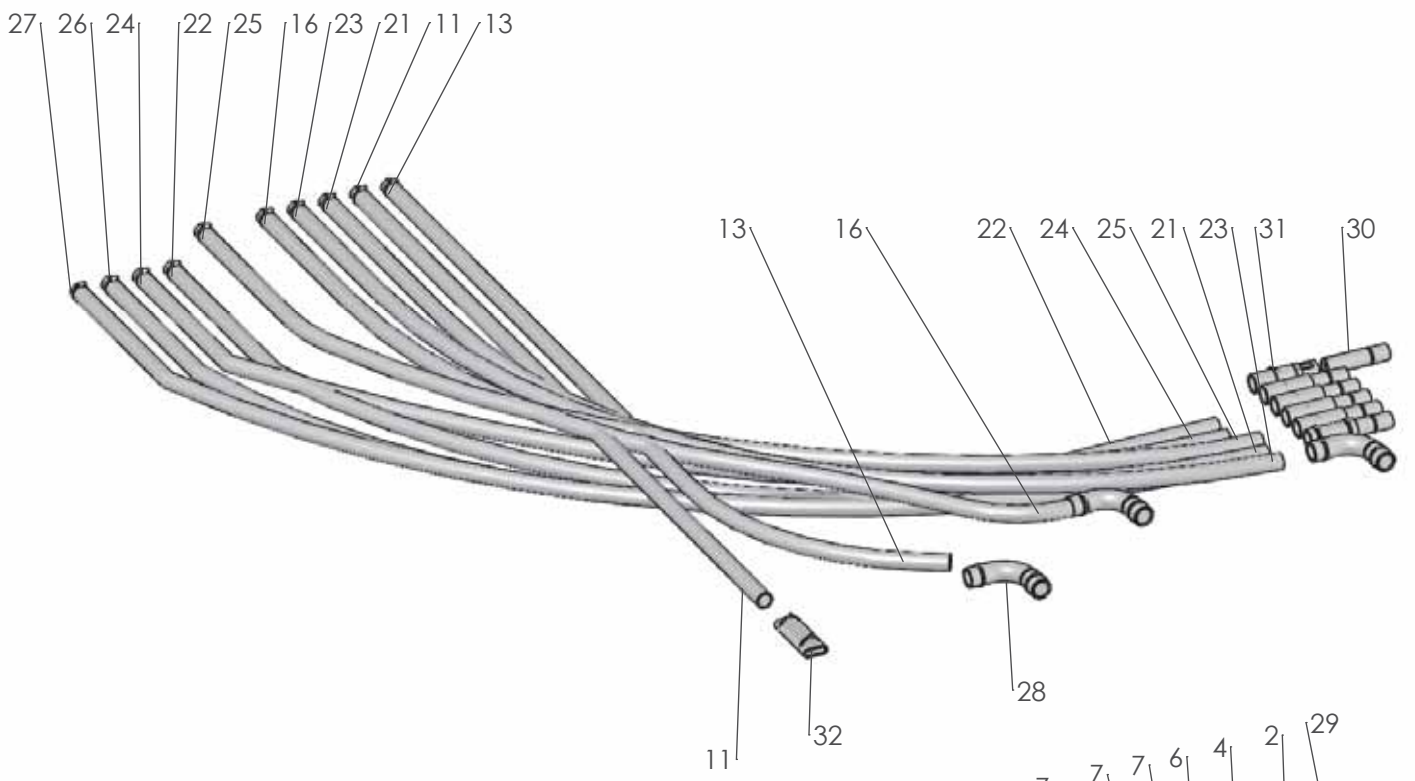
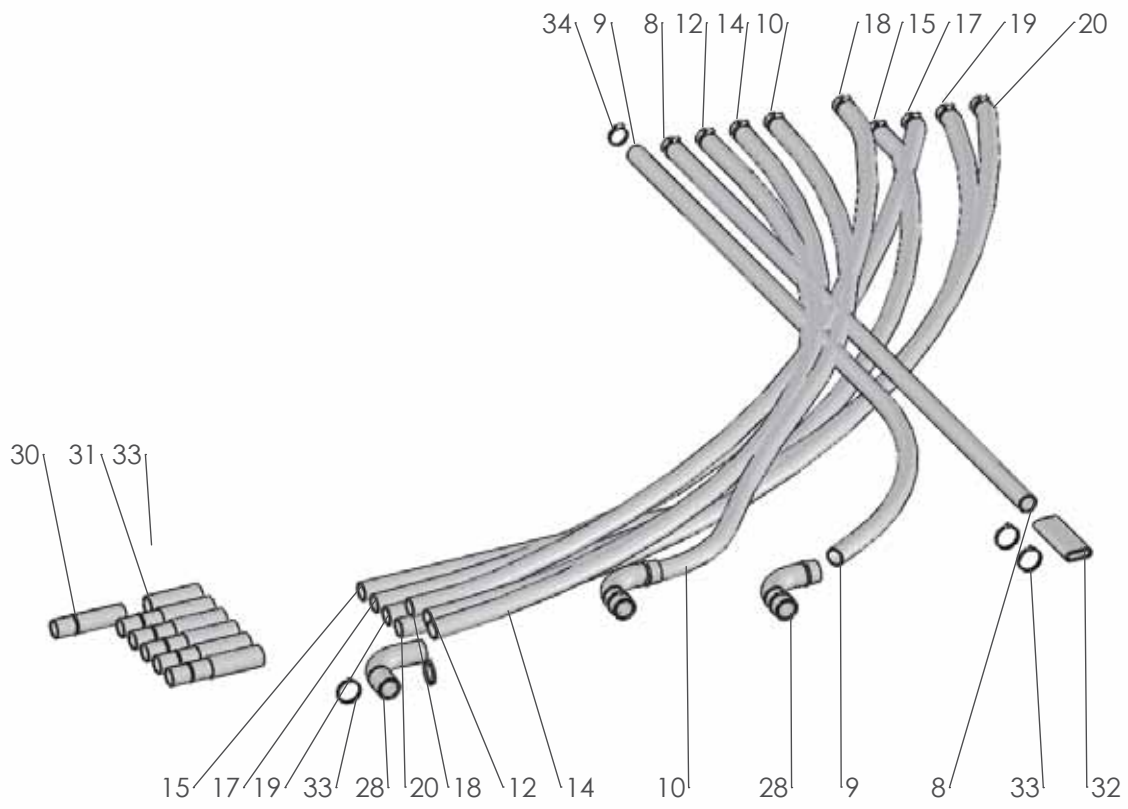
1214

Pos nr/ Ref No	Detalj nr/ Part No	Benämning	Description
1214 Ö		ELEKTRONIK	CONTROL SYSTEM
1	4165 17555 00	Fäste för nivågivare	Bracket
2	4165 29659 00	Fläktgivarfäste	Sensor bracket
3	4725 24 51 57	Skruv M6S 8x 20- 8.8 FZV	Bolt ISO 4014 - M8 x 20
4	4165 30464 00	Indikatorplåt	Indicator bracket
5	4165 25962 00	Induktiv givare (NPN)	Inductive sensor (NPN)
6	4165 25963 00	Givarkabel, L=5000	Sensor cable, L=5000
7	4724 12 22 40	Skruv MRX 3x 8 A2-70-Z	Screw ISO 7045 - M3 x 8 A2-70-Z
8	4734 11 64 09	Bricka BRB 8,4x 16 A2	Washer ISO 7089- 8 A2
9	4165 16571 80	Pulsgivare	Incremental encoder
10	4725 24 51 40	Skruv M6S 8x 20 A2-80	Bolt ISO 4014 - M8 x 20 A2-80
11	4165 16572 10	Slang, Tronic	Rubber hose
12	4165 24322 00	Givarfäste generell	Sensor bracket
13	4725 23 67 40	Skruv M6S 6x 14 A2-80	Bolt ISO 4014 - M6 x 14 A2-80
14	4734 11 53 09	Bricka BRB 6,4x 12 A2	Washer ISO 7089 - 6
15	4732 21 18 90	Mutter M6M 8 NF A2-80	Nut DIN 985 - M8 A2
16	4734 11 64 07	Bricka BRB 8,4x 16 FZV	Washer ISO 7089 - 8
17	4165 16572 70	Stänkskydd	Splash guard
18	4165 27271 40	Fästplåt för elektronik	Bracket
19	4165 30652 00	Maskinlåda kpl WJ, K-Plus	Machine box cpl WJ, K-Plus
20	4165 96639 06	Kontramutter till kabelförskruvning	Check nut
21	4165 30676 00	Kabelförskruvning, PG21	Cable connection, PG21
22	4165 96639 03	Kontramutter till kabelförskruvning	Check nut
23	4723 12 95 40	Skruv MCS 4x 20 A2-70	Bolt ISO 1207 - M4 x 20
24	4731 23 12 40	Mutter M6M 4 A2-80	Hexagon Nut ISO - 4032 - M4
25	4734 11 36 09	Bricka BRB 4,3x 9 A2	Washer ISO 7089 - 4
26	4165 16574 10	Kabelförskruvning, PG11	Cable connection, PG11
27	4165 27625 00	Elledning med kontaktdon	Electric wire, cpl
28	4165 29662 00	COM Kabel, K-Plus	COM Cable, K-Plus
29	4165 30653 01	Kretskort, K-plus	Print card, K-plus
30	4165 30663 00	Plintsats kretskort IOCM05	Connector kit IOCM05
41	4165 31857 00	Kapacitiv givare	Capasitive sensor
42	4165 27625 00	Elledning med kontaktdon	Electric wire, cpl
43	500237823	K-Plus monitor, kompl	K-Plus monitor, cpl
44	4165 33175 00	Givarfäste WJ	Sensor bracket WJ
45	4165 33177 00	Givartapp M8, kort	Sensor pin M8, short
46	4165 33338 00	Fäste för tryckknapp	Bracket for pushbutton
47	4165 33348 00	Tryckknapp för vridprov	Pushbutton for calibration
48	4724 12 93 40	Skruv MRX 4x 16 A2-70-Z	Screw ISO 7045 - M4 x 16 A2-70-Z
49	4165 32383 00	Monteringsbygel, K-Plus	Monitor bracket, K-Plus
50	4165 97058 00	Stjärnvred, M6x15	Lobe knob, M6x15
51	4735 21 73 01	Låsbricka AZ 10,5x18 FZB	Washer DIN 6798-A10.5

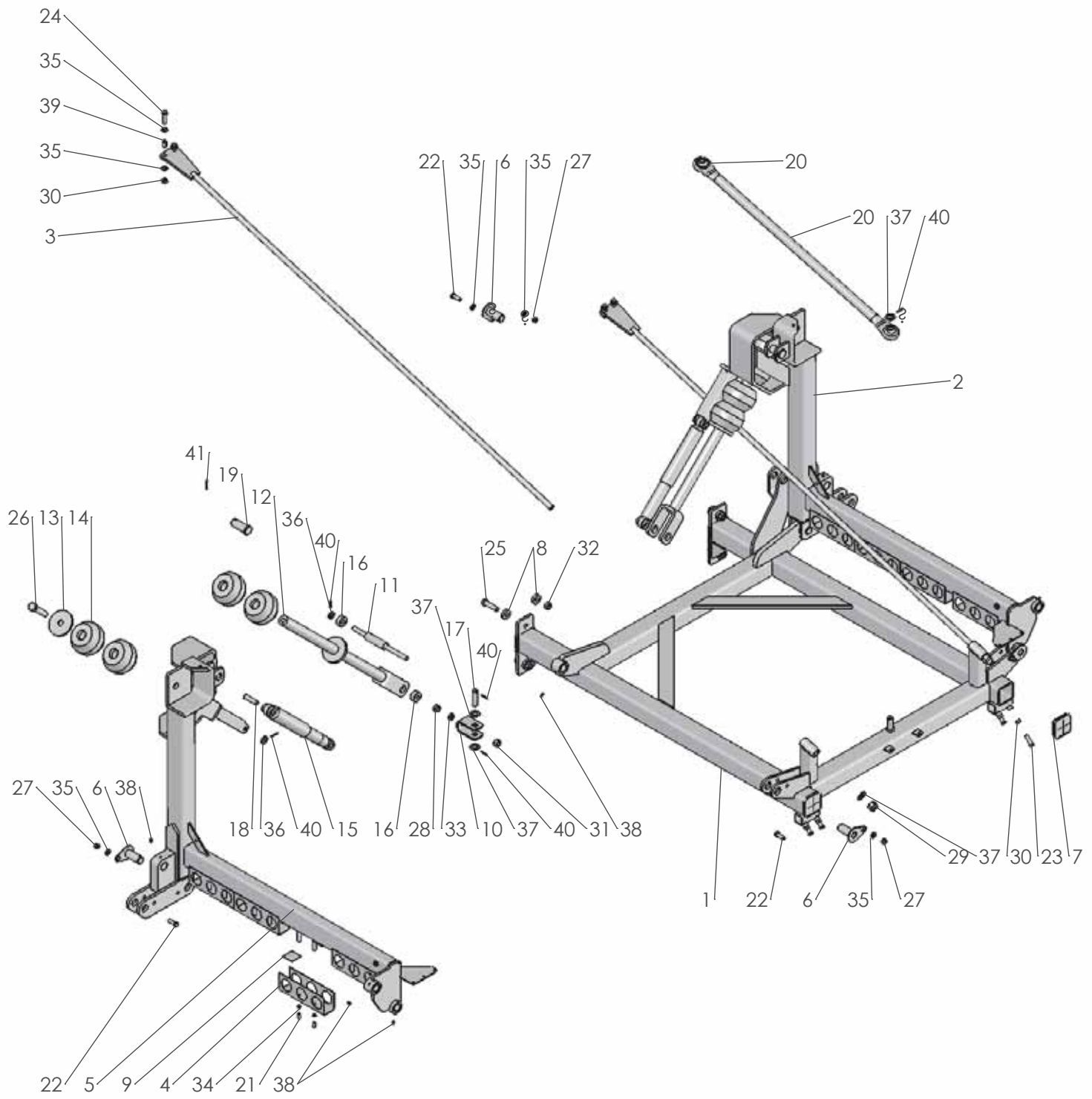


1210

Pos nr/ Ref No	Detalj nr/ Part No	Benämning	Description
1210 Ö	S4812	MITTSEKTION, S4812	MIDDLE SECTION, S4812
1	4165 13074 00	Rampfäste, komplett	Boom bracket, cpl
2	4165 33169 30	Rampstag	Boom stay
3	4165 99573 30	Trappstegsförlängning	Step extension
4	4165 98015 00	Mellanlägg	Plate
5	4165 14303 00	Kätting 11 länk, L=517	Chain 11 links, L=517
6	4165 10197 44	Bricka för vändpinne	Washer
7	4165 13527 00	Ok, svetsat	Bracket, welded
8	4165 16902 00	Gummibuffert, Ø70x35	Rubber damper, Ø70x35
9	4165 16903 00	Bricka, Ø18/75x6	Washer, Ø18/75x6
10	4731 23 24 07	Mutter M6M 16- 8 FZV	Nut ISO - 4032 - M16 FZV
11	4721 42 62 40	Fjädrande rörpinne FRP 4x 32 RFS	Spring Pin ISO 8752 - 4 x 32 A2
12	4165 19511 00	Rak schackel, M12 FZV	Schackle, M12 FZV
13	4165 19538 00	Kätting Ø9x53, 1 Länk, L=53	Chain Ø9x53, 1 Länk, L=53
14	4165 16695 00	Skydds rör, Ø35/38, L=760	Protective tube, Ø35/38, L=760
15	4165 12751 88	Spridarfäste, kompl	Spreader bracket, cpl
16	4165 16745 00	Gummibuffert	Rubber damper
17	4734 11 53 09	Bricka BRB 6,4x 12 A2	Washer ISO 7089 - 6
18	4734 11 78 07	Bricka BRB 13x 24 FZV	Washer ISO 7089 - 12
19	4734 11 86 07	Bricka BRB 17x 30 FZV	Washer ISO 7089 - 16
20	4725 23 68 40	Skruv M6S 6x 16 A2-80	Bolt ISO 4014 - M6 x 16
21	4725 25 36 57	Skruv M6S 12x 30- 8.8 FZV	Bolt ISO 4014 - M12 x 30-8.8
22	4725 25 40 57	Skruv M6S 12x 40- 8.8 FZV	Bolt ISO 4014 - M12 x 40-8.8 FZV
23	4725 25 38 57	Skruv M6S 12x 35- 8.8 FZV	Bolt ISO 4014 - M12 x 35-8.8
24	4725 26 29 57	Skruv M6S 16x 45- 8.8 FZV	Bolt ISO 4014 - M16 x 45-8.8 FZV
25	4165 03619 02	Mutter M6MF 6 A2-70	Nut ISO - 4161 M6 A2
26	4732 21 22 90	Mutter M6M 12 NF A2-80	Nut DIN 985 - M12
27	4732 21 24 90	Mutter M6M 16 NF A2-80	Nut DIN 985 - M16 A2-80
28	4165 98628 30	Rambalksförlängning, vänster	Chassie extension, LH
29	4165 98629 30	Rambalksförlängning, vänster	Chassie extension, LH
30	4165 12751 89	Spridarplatta	Spreader plate
31	4165 14560 00	Spindel M16, kompl	Threaded rod M16, cpl
32	4165 19573 00	Tapp	Pin
33	4165 11160 59	Kätting Ø9x53, 18 länk, L=955	Chain Ø9x53, 18 links, L=955

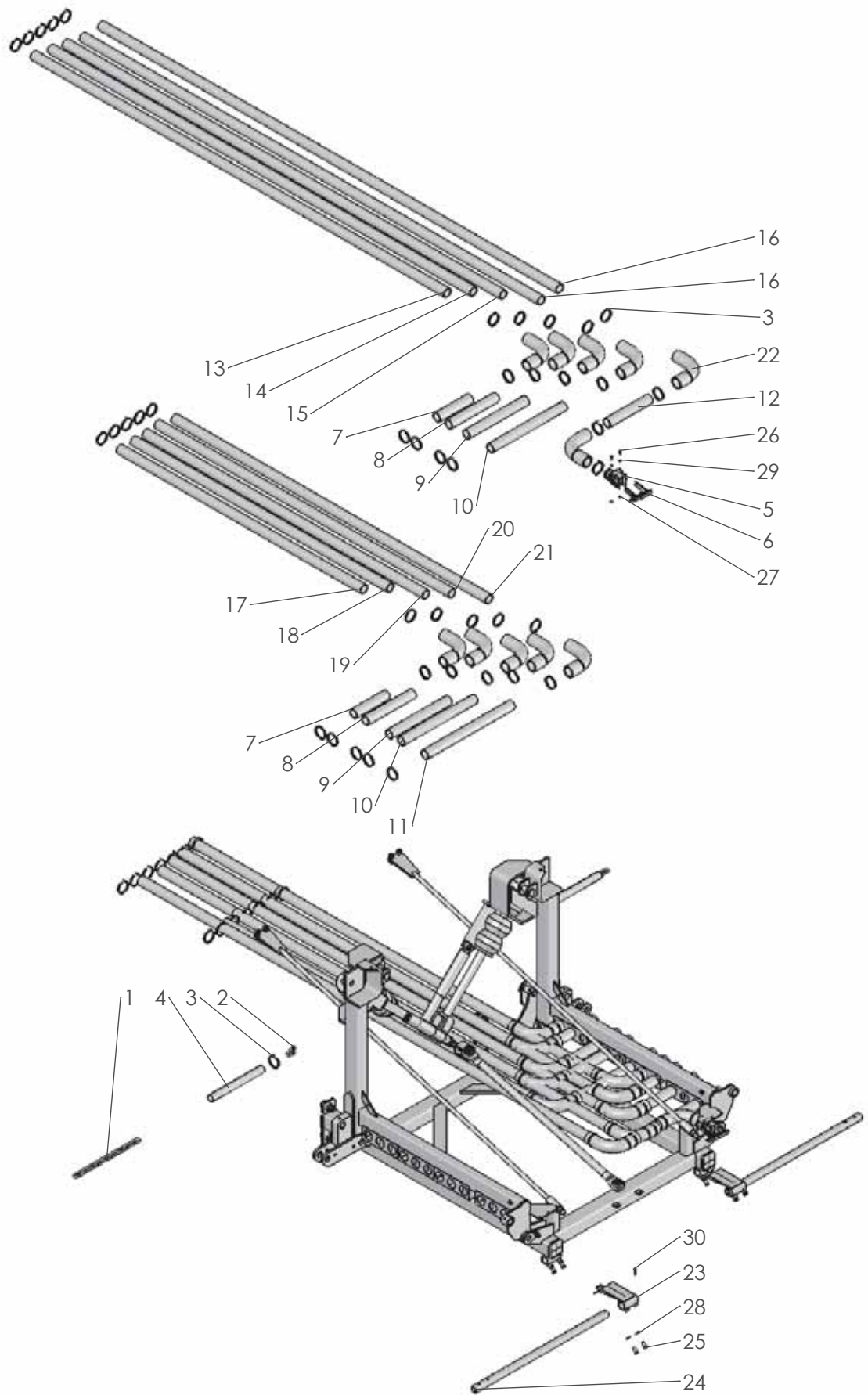


Pos nr/ Ref No	Detalj nr/ Part No	Benämning	Description
1227 Ö		SPRIDARRÖR S4812	SPREADER TUBES S4812
	4165 27905 00	Spridarrör, L=6000 mm	Spreader tube, L=6000 mm
	4165 13005 05	Spridarrör, L=100 m	Spreader tube, L=100 m
1	4165 14114 50	Spridarrör, L= 269	Spreader tube, L= 269
2	4165 14114 60	Spridarrör, L= 381	Spreader tube, L= 381
3	4165 14114 70	Spridarrör, L= 869	Spreader tube, L= 869
4	4165 14114 80	Spridarrör, L= 981	Spreader tube, L= 981
5	4165 14115 20	Spridarrör, L=1469	Spreader tube, L=1469
6	4165 14118 50	Spridarrör, L=1575	Spreader tube, L=1575
7	4165 14118 60	Spridarrör, L=1885	Spreader tube, L=1885
8	4165 14120 50	Spridarrör, L=2205	Spreader tube, L=2205
9	4165 33004 00	Spridarrör, L=2400	Spreader tube, L=2400
10	4165 97770 00	Spridarrör, L=2540	Spreader tube, L=2540
11	4165 27902 00	Spridarrör, L=2760	Spreader tube, L=2760
12	4165 22585 00	Spridarrör, L=2920	Spreader tube, L=2920
13	4165 22585 00	Spridarrör, L=2920	Spreader tube, L=2920
14	4165 14245 00	Spridarrör, L=2970	Spreader tube, L=2970
15	4165 14237 00	Spridarrör, L=3020	Spreader tube, L=3020
16	4165 14393 00	Spridarrör, L=3070	Spreader tube, L=3070
17	4165 14235 00	Spridarrör, L=3100	Spreader tube, L=3100
18	4165 14394 00	Spridarrör, L=3165	Spreader tube, L=3165
19	4165 14236 00	Spridarrör, L=3200	Spreader tube, L=3200
20	4165 27904 00	Spridarrör, L=3320	Spreader tube, L=3320
21	4165 14246 00	Spridarrör, L=3470	Spreader tube, L=3470
22	4165 14251 00	Spridarrör, L=3560	Spreader tube, L=3560
23	4165 14248 00	Spridarrör, L=3590	Spreader tube, L=3590
24	4165 14384 00	Spridarrör, L=3665	Spreader tube, L=3665
25	4165 15831 00	Spridarrör, L=3690	Spreader tube, L=3690
26	4165 14249 00	Spridarrör, L=3755	Spreader tube, L=3755
27	4165 14386 00	Spridarrör, L=3870	Spreader tube, L=3870
28	4165 12160 73	Spridarrör, gummi	Spreader bend, rubber
29	4165 16148 00	Skarvmuff	Joint sleeve
30	4165 12189 26	Skarvrör	Connector pipe
31	4165 16636 00	Gummislang, L=150	Rubber hose, L=150
32	4165 16634 00	Gummislang (oval)	Rubber hose (oval)
33	4165 25094 00	Buntband svart, L=290	Self locking ties, L=290
34	4165 19520 00	Slangklämma, Ø50-70	Hose clamp, Ø50-70



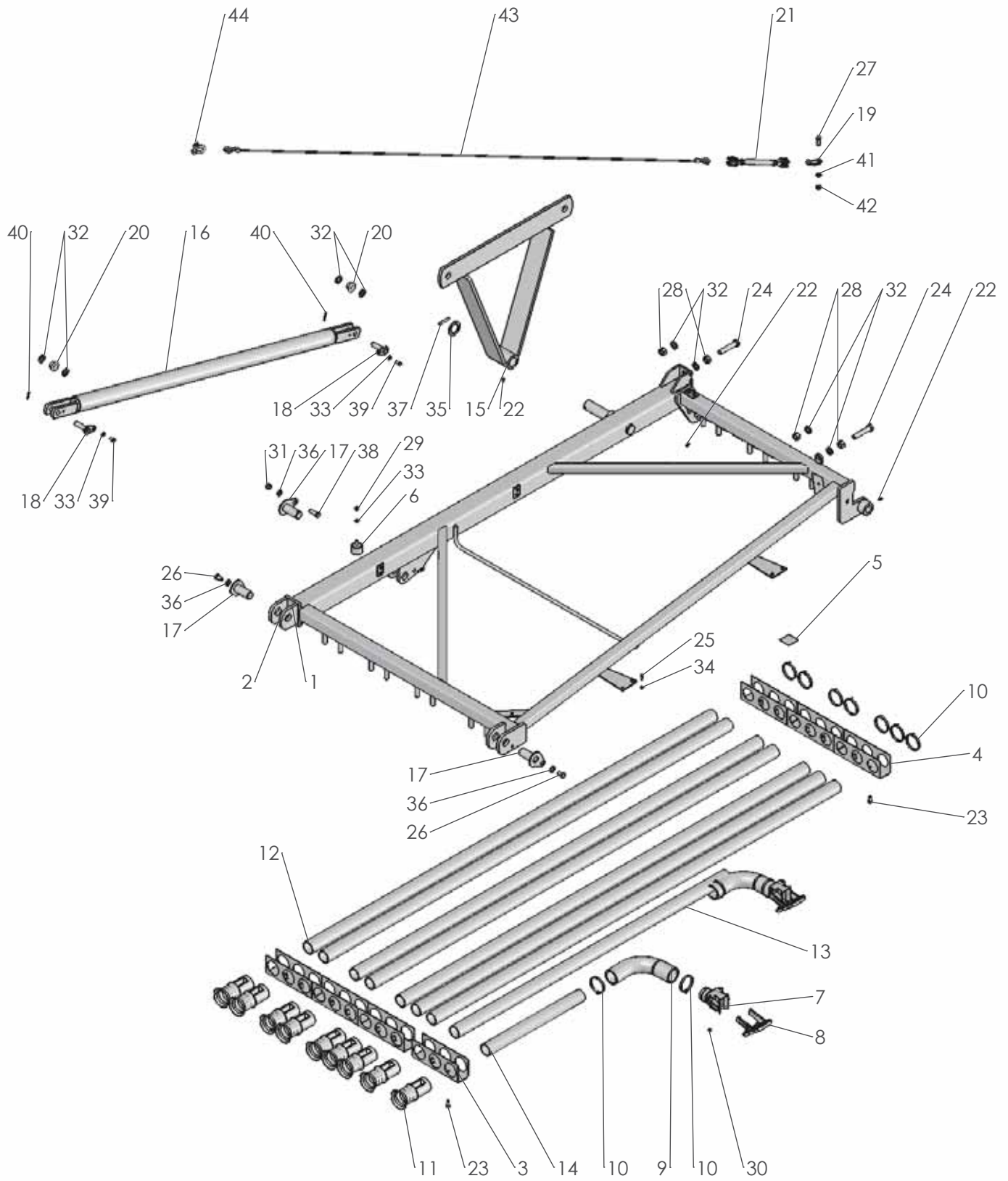
1406

Pos nr/ Ref No	Detalj nr/ Part No	Benämning	Description
1406 Ö	35671	MITTSEKTION BAS, S4818	MIDDLE SECTION BASE, S4818
1	4165 24355- 30	Rampfäste	Middle frame
2	4165 35548 30	Pendlingsram, höger	Pivoted frame, RH
3	4165 24352- 30	Rampstag	Boom stay
4	4165 96722 00	Hållare, Ø52	Clamp, Ø52
5	4165 35549 30	Pendlingsram, vänster	Pivoted frame, LH
6	4165 96298 00	Låstapp, Ø30x70	Locking pin, Ø30x70
7	4165 21910 00	Skyddsplugg, KR80x80	Protective cap, KR80x80
8	4165 85884 00	Bricka, Ø17/38x10	Washer, Ø17/38x10
9	4165 23819 00	Friktionstejp	Friction tape
10	4165 22190- 30	Bygel	Bracket
11	4165 22189 00	Dubbeltapp	Dubble pin
12	4165 21543- 30	Centreringsstag	Centre stay
13	4165 21676 00	Bricka, Ø21/108x8	Washer, Ø21/108x8
14	4165 73993 00	Gummifjäder	Rubber spring
15	4165 19529 00	Stötdämpare, justerbar	Shock damper, adjustable
16	4165 22261 00	Bricka, Ø16,5/40x19	Washer, Ø16,5/40x19
17	4165 22478 00	Cylindrisk pinne, Ø19x71	Parallel pin, Ø19x71
18	4165 73301 01	Cylindrisk bult, Ø16x60	Headed clevis pin, Ø16x60
19	4165 85469 00	Cylindrisk bult, Ø30x74	Headed clevis pin, Ø30x74
20	4165 24363- 30	Stabiliseringsstag L=1030	Stability bar L=1030
21	4725 24 51 40	Skruv M6S 8x 20 A2-80	Bolt ISO 4014 - M8 x 20 A2-80
22	4725 25 38 57	Skruv M6S 12x 35- 8.8 FZV	Bolt ISO 4014 - M12 x 35-8.8
23	4725 25 40 57	Skruv M6S 12x 40- 8.8 FZV	Bolt ISO 4014 - M12 x 40-8.8 FZV
24	4725 25 41 57	Skruv M6S 12x 45- 8.8 FZV	Bolt ISO 4014 - M12 x 45-8.8
25	4725 26 32 81	Skruv M6S 16x 60-10.9 MW	Bolt ISO 4014 M16x60-10.9 MW
26	4725 26 82 72	Skruv M6S 20x 90- 8.8 FZV	Bolt ISO 4017 - M20 x 90-8.8 FZV
27	4732 21 22 90	Mutter M6M 12 NF A2-80	Nut DIN 985 - M12
28	4732 21 24 90	Mutter M6M 16 NF A2-80	Nut DIN 985 - M16 A2-80
29	4732 21 26 51	Mutter M6M 20- 8 NF FZB	Nut ISO 7040-M20-8-NF FZB
30	4731 23 22 07	Mutter M6M 12- 8 FZV	Nut ISO - 4032 - M12 FZV
31	4731 23 24 07	Mutter M6M 16- 8 FZV	Nut ISO - 4032 - M16 FZV
32	4731 23 24 51	Mutter M6M 16-10 MW	Nut ISO-4032 M16-10 MW
33	4731 43 24 01	Mutter ML6M 16- 5 FZB	Hexagon Thin Nut ISO - 4035 - M16
34	4734 11 64 09	Bricka BRB 8,4x 16 A2	Washer ISO 7089- 8 A2
35	4734 11 78 07	Bricka BRB 13x 24 FZV	Washer ISO 7089 - 12
36	4734 11 86 07	Bricka BRB 17x 30 FZV	Washer ISO 7089 - 16
37	4734 11 92 07	Bricka BRB 21x 37 FZV	Washer ISO 7089 - 20 FZV
38	4738 88 20 03	Smörjnippel, AM 8x1,25 FZB	Grease nipple, AM 8x1,25 FZB
39	4165 86240 04	Fjädrande rörpinne FRP 16x 24	Spring pin DIN 7346 S Ø16x 24
40	4721 42 62 40	Fjädrande rörpinne FRP 4x 32 RFS	Spring Pin ISO 8752 - 4 x 32 A2
41	4721 43 47 40	Fjädrande rörpinne FRP 6x 40 RFS	Spring Pin ISO 8752 - 6 x 40 - A2



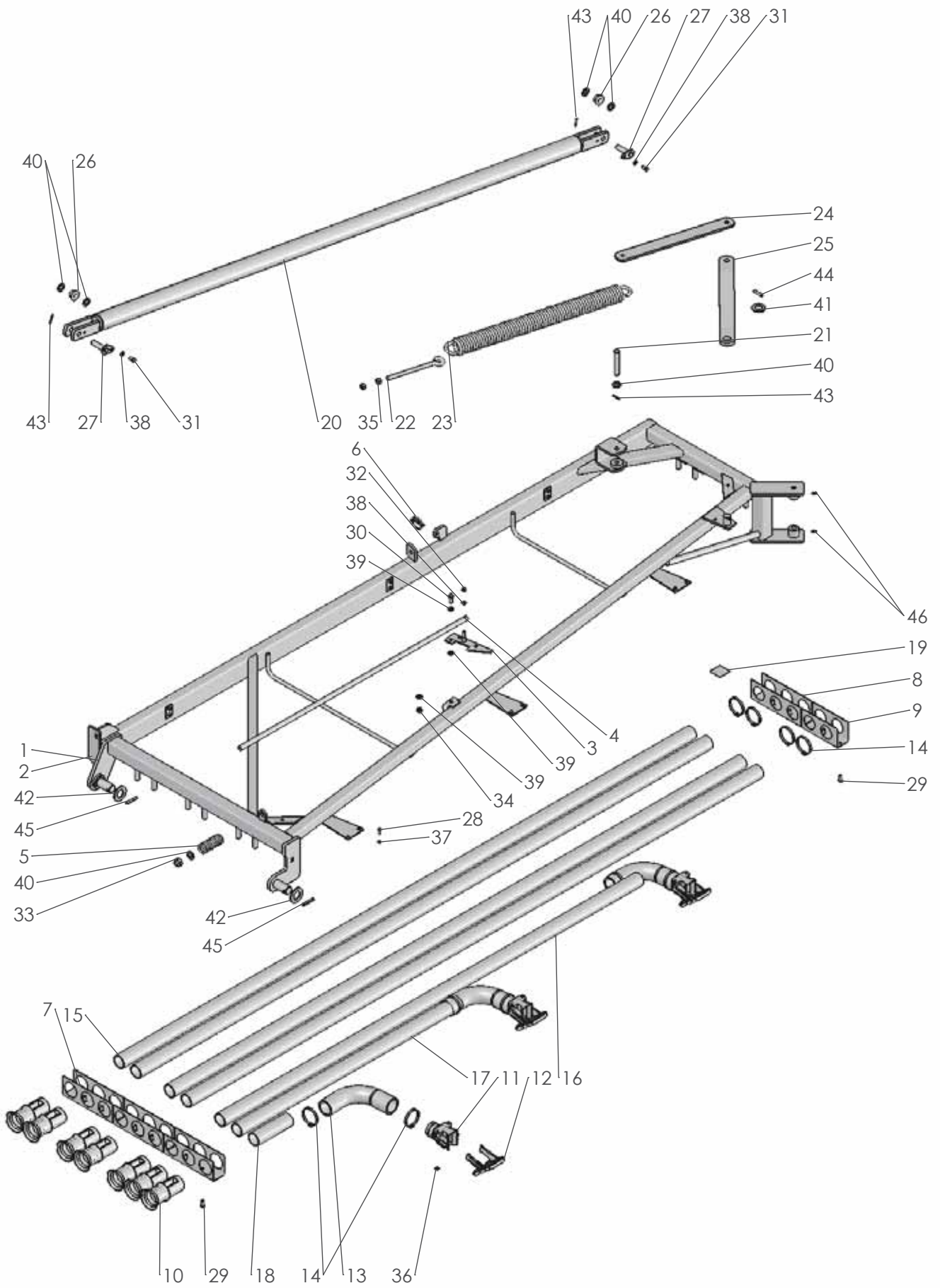
1402

Pos nr/ Ref No	Detalj nr/ Part No	Benämning	Description
1402 Ö	35358	MITTSEKTION, S4818	MIDDLE SECTION, S4818
1	4165 11151 27	Kätting Ø8x47, 9 länk L=423	Chain Ø8x47, 9 links, L=423
2	4165 19601 00	Rak schackel, M10	Schackle, M10
3	4165 25094 00	Buntband svart, L=290	Self locking ties, L=290
4	4165 35789 00	Skydds rör, Ø35/38, L=345	Protective tube, Ø35/38, L=345
5	4165 12751 88	Spridarfäste, kompl	Spreader bracket, cpl
6	4165 12751 89	Spridarplatta	Spreader plate
7	4165 14121 20-	Spridar rör, L= 220	Spreader pipe, L= 220
8	4165 12172 55	Spridar rör, L= 315	Spreader tube, L= 315
9	4165 12176 10	Spridar rör, L= 396	Spreader pipe, L= 396
10	4165 22570 00	Spridar rör, L= 490	Spreader pipe, L= 490
11	4165 22571 00	Spridar rör, L= 580	Spreader pipe, L= 580
12	4165 12176 09	Spridar rör, L= 284	Spreader pipe, L= 284
13	4165 27902 00	Spridar rör, L=2760	Spreader tube, L=2760
14	4165 35788 00	Spridar rör, L= 2820	Spreader pipe, L= 2820
15	4165 22585 00	Spridar rör, L=2920	Spreader tube, L=2920
16	4165 22587 00	Spridar rör, L= 3060	Spreader pipe, L= 3060
17	4165 22575 00	Spridar rör, L= 1630	Spreader pipe, L= 1630
18	4165 35787 00	Spridar rör, L= 1710	Spreader pipe, L= 1710
19	4165 22578 00-	Spridar rör, L= 1870	Spreader pipe, L= 1870
20	4165 14120 10	Spridar rör, L=1965	Spreader tube, L=1965
21	4165 14377 00	Spridar rör, L= 2100	Spreader pipe, L= 2100
22	4165 12160 73	Spridar krök, gummi	Spreader bend, rubber
23	4165 35669 30	Hållare, ljusramp	Bracket, lightbar
24	4165 32511 30	Belysnings rör	Rear light tube
25	4725 25 34 57	Skruv M6S 12x 25- 8.8 FZV	Bolt ISO 4014 - M12 x 25
26	4725 23 68 40	Skruv M6S 6x 16 A2-80	Bolt ISO 4014 - M6 x 16
27	4165 03619 02	Mutter M6MF 6 A2-70	Nut ISO - 4161 M6 A2
28	4734 11 78 07	Bricka BRB 13x 24 FZV	Washer ISO 7089 - 12
29	4734 11 53 09	Bricka BRB 6,4x 12 A2	Washer ISO 7089 - 6
30	4721 43 47 40	Fjädrande rörpinne FRP 6x 40 RFS	Spring Pin ISO 8752 - 6 x 40 - A2



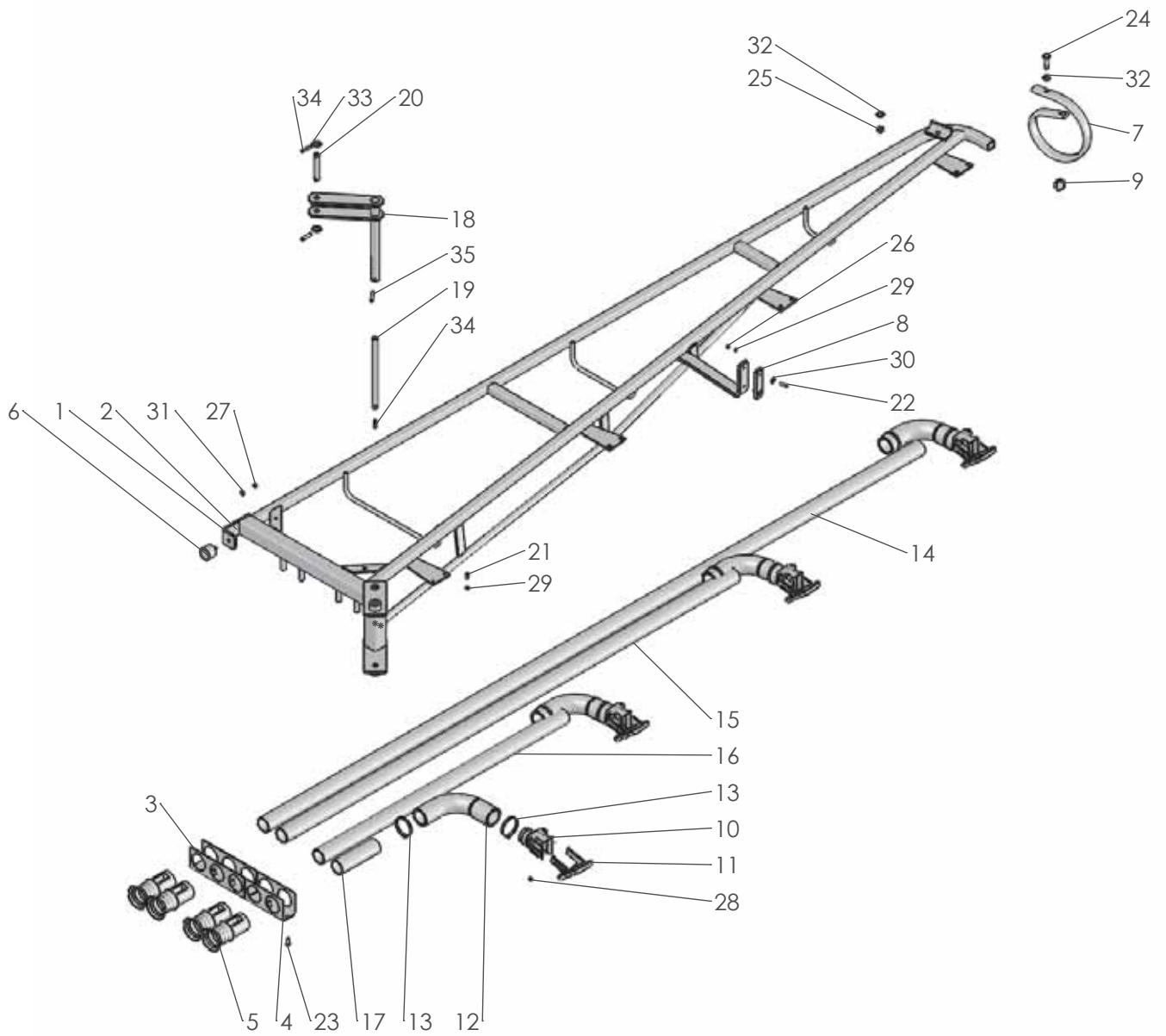
1403

Pos nr/ Ref No	Detalj nr/ Part No	Benämning	Description
1403		SIDOSEKTION 1 4818	BOOM SECTION 1 4818
1	4165 35608 30	Bärbom sektion 1, höger 18 m	Spreader boom section 1, RH 18 m
2	4165 35653 30	Bärbom sektion 1, vänster 18m	Spreader boom section 1, LH 18m
3	4165 96720 00	Hållare, Ø58	Support, Ø58
4	4165 96722 00	Hållare, Ø52	Clamp, Ø52
5	4165 23819 00	Friktionstejp	Friction tape
6	4165 32826 00	Vibrationsdämpare, Ø40x30	Isolator, Ø40x30
7	4165 12751 88	Spridarfäste, kompl	Spreader bracket, cpl
8	4165 12751 89	Spridarplatta	Spreader plate
9	4165 12160 73	Spridarkrök, gummi	Spreader bend, rubber
10	4165 25094 00	Buntband svart, L=290	Self locking ties, L=290
11	4165 16148 00	Skarvmuff	Joint sleeve
12	4165 14118 70	Spridarör, L= 2085	Spreader pipe, L= 2085
13	4165 22574 00	Spridarör, L= 1400	Spreader pipe, L= 1400
14	4165 22570 00	Spridarör, L= 490	Spreader pipe, L= 490
15	4165 21672 30	Länk, inre	Link, inner
16	4165 35651 30	Rampstag	Spreader bar
17	4165 96298 00	Låstapp, Ø30x70	Locking pin, Ø30x70
18	4165 21983 00	Låstapp, Ø16x60	Locking pin, Ø16x60
19	4165 22481 00	Vajeröra	Wire bracket
20	4165 16540 00	Flänsbussning, Ø16/25/35x18	Flange bushing, Ø16/25/35x18
21	4165 22308 00	Vantskruv M12, 225-305	Turnbuckle M12, 225-305
22	4738 88 20 03	Smörjnippel, AM 8x1,25 FZB	Grease nipple, AM 8x1,25 FZB
23	4725 24 51 40	Skruv M6S 8x 20 A2-80	Bolt ISO 4014 - M8 x 20 A2-80
24	4725 26 36 72	Skruv M6S 16x 80- 8.8 FZV	Bolt ISO 4017 - M16 x 80-8.8 FZV
25	4725 23 68 40	Skruv M6S 6x 16 A2-80	Bolt ISO 4014 - M6 x 16
26	4725 25 32 57	Skruv M6S 12x 20- 8.8 FZV	Bolt ISO 4014-M12x20-8.8 FZV
27	4725 24 95 40	Skruv M6S 10x 30 A2-80	Bolt ISO 4014 - M10 x 30 A2-80
28	4731 23 24 07	Mutter M6M 16- 8 FZV	Nut ISO - 4032 - M16 FZV
29	4732 21 18 90	Mutter M6M 8 NF A2-80	Nut DIN 985 - M8 A2
30	4165 03619 02	Mutter M6MF 6 A2-70	Nut ISO - 4161 M6 A2
31	4732 21 22 90	Mutter M6M 12 NF A2-80	Nut DIN 985 - M12
32	4734 11 86 07	Bricka BRB 17x 30 FZV	Washer ISO 7089 - 16
33	4734 11 64 09	Bricka BRB 8,4x 16 A2	Washer ISO 7089- 8 A2
34	4734 11 53 09	Bricka BRB 6,4x 12 A2	Washer ISO 7089 - 6
35	4165 22477 00	Bricka, Ø38,5/57x3	Washer, Ø38,5/57x3
36	4734 11 78 07	Bricka BRB 13x 24 FZV	Washer ISO 7089 - 12
37	4721 43 85 40	Fjädrande rörpinne FRP 8x 50 RFS	Spring pin ISO 8752 8x 50 RFS
38	4725 25 38 57	Skruv M6S 12x 35- 8.8 FZV	Bolt ISO 4014 - M12 x 35-8.8
39	4725 24 49 40	Skruv M6S 8x 16 A2-80	Bolt ISO 4014 - M8 x 16 A2
40	4721 42 62 40	Fjädrande rörpinne FRP 4x 32 RFS	Spring Pin ISO 8752 - 4 x 32 A2
41	4734 11 73 09	Bricka BRB 10,5x 20 A2	Washer ISO 7089 - 10
42	4732 21 20 90	Mutter M6M 10 NF A2-80	Nut DIN 985- M10 A2-80
43	4165 35545 00	Vajer Ø4, L=2040, kpl	Wire Ø4, L=2040, cpl
44	4165 19601 00	Rak schackel, M10	Schackle, M10



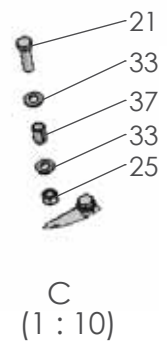
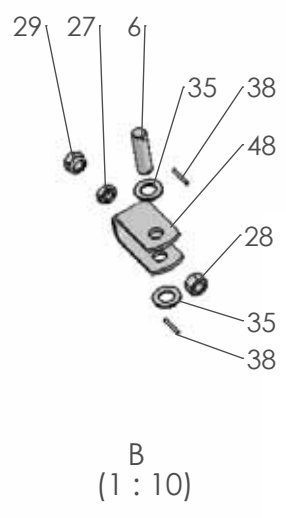
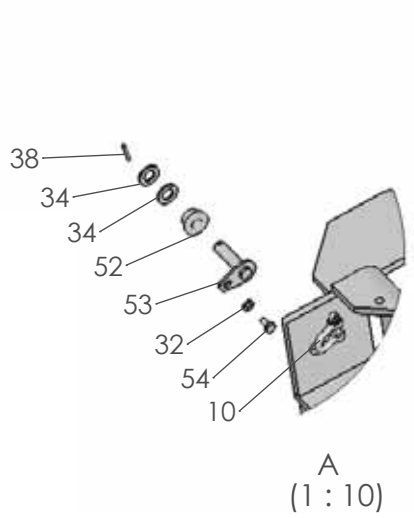
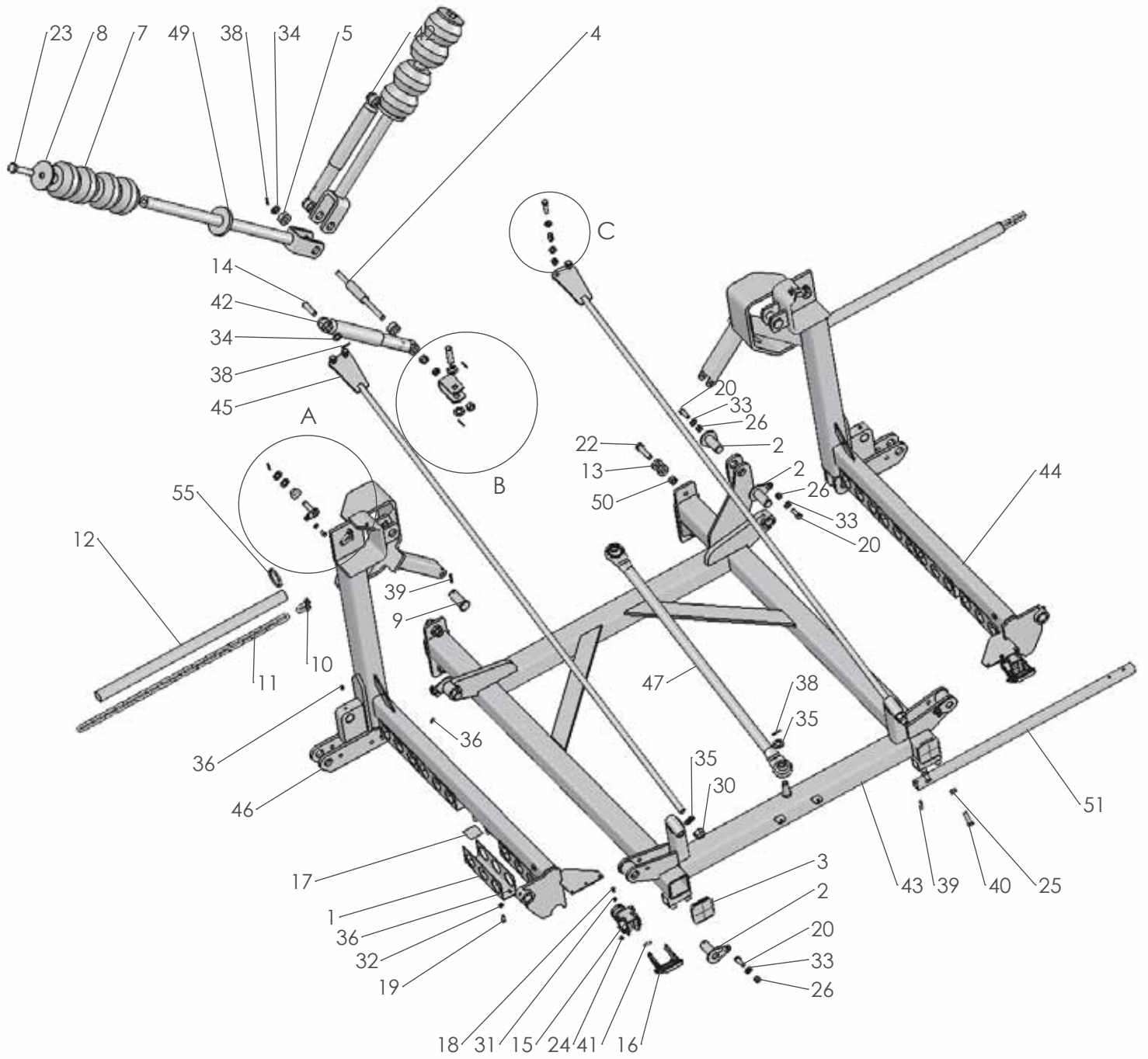
1404

Pos nr/ Ref No	Detalj nr/ Part No	Benämning	Description
1404 Ö	35660	SIDOSEKTION 2, S4818	BOOM SECTION 2, S4818
1	4165 35557 30	Bärbom sektion 2, höger 18 m	Spreader boom section 2, RH 18 m
2	4165 35655 30	Bärbom sektion 2, vänster 18m	Spreader boom section 2, LH 18m
3	4165 18310 00	Spärrhake kompl, höger	Catch compl, right
4	4165 35663 30	Stötstång, lång	Pushrod, long
5	4165 17906 00	Tryckfjäder, Ø17/29x88	Compression spring, Ø17/29x88
6	4165 16556 00	Ringsprint, Ø8x37	Linch pin, Ø8x37
7	4165 96720 00	Hållare, Ø58	Support, Ø58
8	4165 96722 00	Hållare, Ø52	Clamp, Ø52
9	4165 35526 00	Hållare, Ø52	Clamp, Ø52
10	4165 16148 00	Skarvmuff	Joint sleeve
11	4165 12751 88	Spridarfäste, kompl	Spreader bracket, cpl
12	4165 12751 89	Spridarplatta	Spreader plate
13	4165 12160 73	Spridarkrök, gummi	Spreader bend, rubber
14	4165 25094 00	Buntband svart, L=290	Self locking ties, L=290
15	4165 22608 00	Spridarrör, L= 2720	Spreader pipe, L= 2720
16	4165 35791 00	Spridarrör, L= 1990	Spreader pipe, L= 1990
17	4165 12189 67	Spridarrör, L= 1050	Spreader pipe, L= 1050
18	4165 14120 30	Spridarrör, L= 165	Spreader pipe, L= 165
19	4165 23819 00	Friktionstejp	Friction tape
20	4165 21683 32	Rampstag 1-4	Spreader bar 1-4
21	4165 96799 00	Cylindrisk bult, Ø16x95	Headed clevis pin, Ø16x95
22	4165 16674 00	Ögleskruv, M12x200	Eye bolt, M12x200
23	4165 12187 42	Dragfjäder	Extension Spring
24	4165 15883 00	Dragstag (fjäder)	Tie rod (spring)
25	4165 15865 00	Länk	Link
26	4165 16540 00	Flänsbussning, Ø16/25/35x18	Flange bushing, Ø16/25/35x18
27	4165 21983 00	Låstapp, Ø16x60	Locking pin, Ø16x60
28	4725 23 68 40	Skruv M6S 6x 16 A2-80	Bolt ISO 4014 - M6 x 16
29	4725 24 51 40	Skruv M6S 8x 20 A2-80	Bolt ISO 4014 - M8 x 20 A2-80
30	4725 24 93 40	Skruv M6S 10x 25 A2-80	Bolt ISO 4014-M10x25 A2-80
31	4725 24 49 40	Skruv M6S 8x 16 A2-80	Bolt ISO 4014 - M8 x 16 A2
32	4732 21 18 90	Mutter M6M 8 NF A2-80	Nut DIN 985 - M8 A2
33	4732 21 24 90	Mutter M6M 16 NF A2-80	Nut DIN 985 - M16 A2-80
34	4732 21 20 90	Mutter M6M 10 NF A2-80	Nut DIN 985- M10 A2-80
35	4731 23 22 07	Mutter M6M 12- 8 FZV	Nut ISO - 4032 - M12 FZV
36	4165 03619 02	Mutter M6MF 6 A2-70	Nut ISO - 4161 M6 A2
37	4734 11 53 09	Bricka BRB 6,4x 12 A2	Washer ISO 7089 - 6
38	4734 11 64 09	Bricka BRB 8,4x 16 A2	Washer ISO 7089- 8 A2
39	4734 11 73 09	Bricka BRB 10,5x 20 A2	Washer ISO 7089 - 10
40	4734 11 86 07	Bricka BRB 17x 30 FZV	Washer ISO 7089 - 16
41	4734 12 00 07	Bricka BRB 26x 45 FZV	Washer ISO 7089 - 1 inch
42	4734 12 04 07	Bricka BRB 31x 56 FZV	Washer ISO 7089 - 30
43	4721 42 62 40	Fjädrande rörpinne FRP 4x 32 RFS	Spring Pin ISO 8752 - 4 x 32 A2
44	4721 43 83 40	Fjädrande rörpinne FRP 8x 40 RFS	Spring pin ISO 8752 8x40 RFS
45	4721 43 85 40	Fjädrande rörpinne FRP 8x 50 RFS	Spring pin ISO 8752 8x 50 RFS
46	4738 88 20 03	Smörjnippel, AM 8x1,25 FZB	Grease nipple, AM 8x1,25 FZB



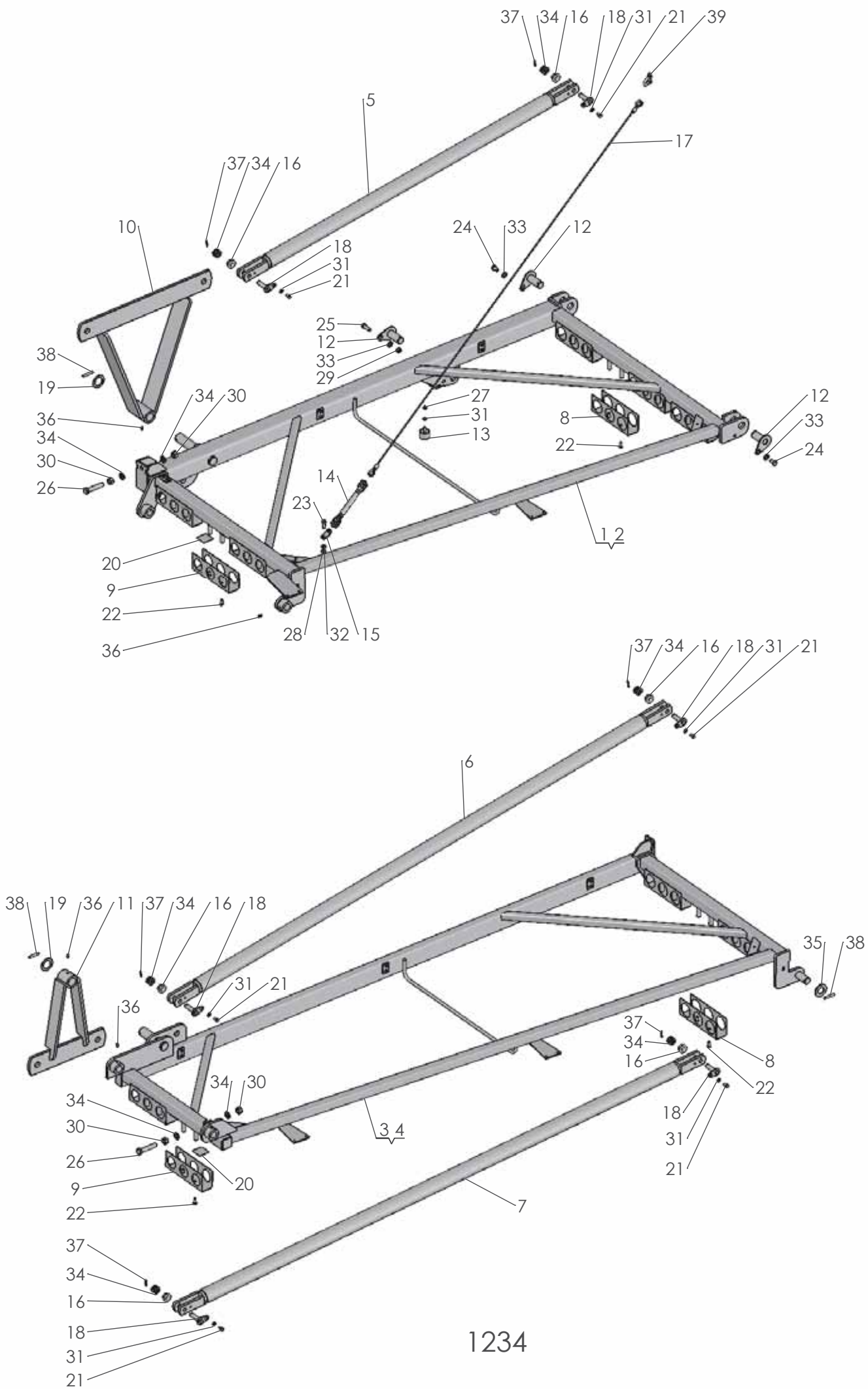
1405

Pos nr/ Ref No	Detalj nr/ Part No	Benämning	Description
1405 Ö	35661	SIDOSEKTION 3, S4818	BOOM SECTION 3 , S4818
1	4165 35628 30	Bärbom sektion 3, höger 18 m	Beam sektion 3, RH 18 m
2	4165 35654 30	Bärbom Sektion 3 vänster 18m	Boom section 3 left 18m
3	4165 96720 00	Hållare, Ø58	Support, Ø58
4	4165 35393 00	Hållare, Ø58	Clamp, Ø58
5	4165 16148 00	Skarvmuff	Joint sleeve
6	4165 32826 00	Vibrationsdämpare, Ø40x30	Isolator, Ø40x30
7	4165 19528 00	Överfjäder	Spring tine
8	4165 17591 00	Gummidämpning	Rubber damping
9	4165 96964 00	Skyddsplugg, KR 30x30x3	Protective cap, KR 30x30x3
10	4165 12751 88	Spridarfäste, kompl	Spreader bracket, cpl
11	4165 12751 89	Spridarplatta	Spreader plate
12	4165 12160 73	Spridarkrök, gummi	Spreader bend, rubber
13	4165 25094 00	Buntband svart, L=290	Self locking ties, L=290
14	4165 35790 00	Spridarör, L= 2850	Spreader pipe, L= 2850
15	4165 14120 10	Spridarör, L=1965	Spreader tube, L=1965
16	4165 14120 20	Spridarör, L= 1065	Spreader pipe, L= 1065
17	4165 14120 30	Spridarör, L= 165	Spreader pipe, L= 165
18	4165 15845 00	Länkarm, svets	Link arm, weldment
19	4165 18167 00	Tapp, Ø16x265	Pin, Ø16x265
20	4165 18169 00	Cylindrisk pinne, Ø16x98	Parallel pin, Ø16x98
21	4725 23 68 40	Skruv M6S 6x 16 A2-80	Bolt ISO 4014 - M6 x 16
22	4725 23 72 40	Skruv M6S 6x 25 A2-80	Bolt ISO 4014 - M6 x 25 A2-80
23	4725 24 51 40	Skruv M6S 8x 20 A2-80	Bolt ISO 4014 - M8 x 20 A2-80
24	4725 25 40 57	Skruv M6S 12x 40- 8.8 FZV	Bolt ISO 4014 - M12 x 40-8.8 FZV
25	4731 23 22 07	Mutter M6M 12- 8 FZV	Nut ISO - 4032 - M12 FZV
26	4732 21 16 90	Mutter M6M 6 NF A2-80	Nut DIN 985 - M6
27	4732 21 18 90	Mutter M6M 8 NF A2-80	Nut DIN 985 - M8 A2
28	4165 03619 02	Mutter M6MF 6 A2-70	Nut ISO - 4161 M6 A2
29	4734 11 53 09	Bricka BRB 6,4x 12 A2	Washer ISO 7089 - 6
30	4734 11 53 49	Bricka DIN 9021 6,4x18 A2	Washer DIN 9021 - 6.4
31	4734 11 64 09	Bricka BRB 8,4x 16 A2	Washer ISO 7089 - 8 A2
32	4734 11 78 07	Bricka BRB 13x 24 FZV	Washer ISO 7089 - 12
33	4734 11 86 07	Bricka BRB 17x 30 FZV	Washer ISO 7089 - 16
34	4721 43 83 40	Fjädrande rörpinne FRP 8x 40 RFS	Spring pin ISO 8752 8x40 RFS
35	4721 43 85 40	Fjädrande rörpinne FRP 8x 50 RFS	Spring pin ISO 8752 8x 50 RFS



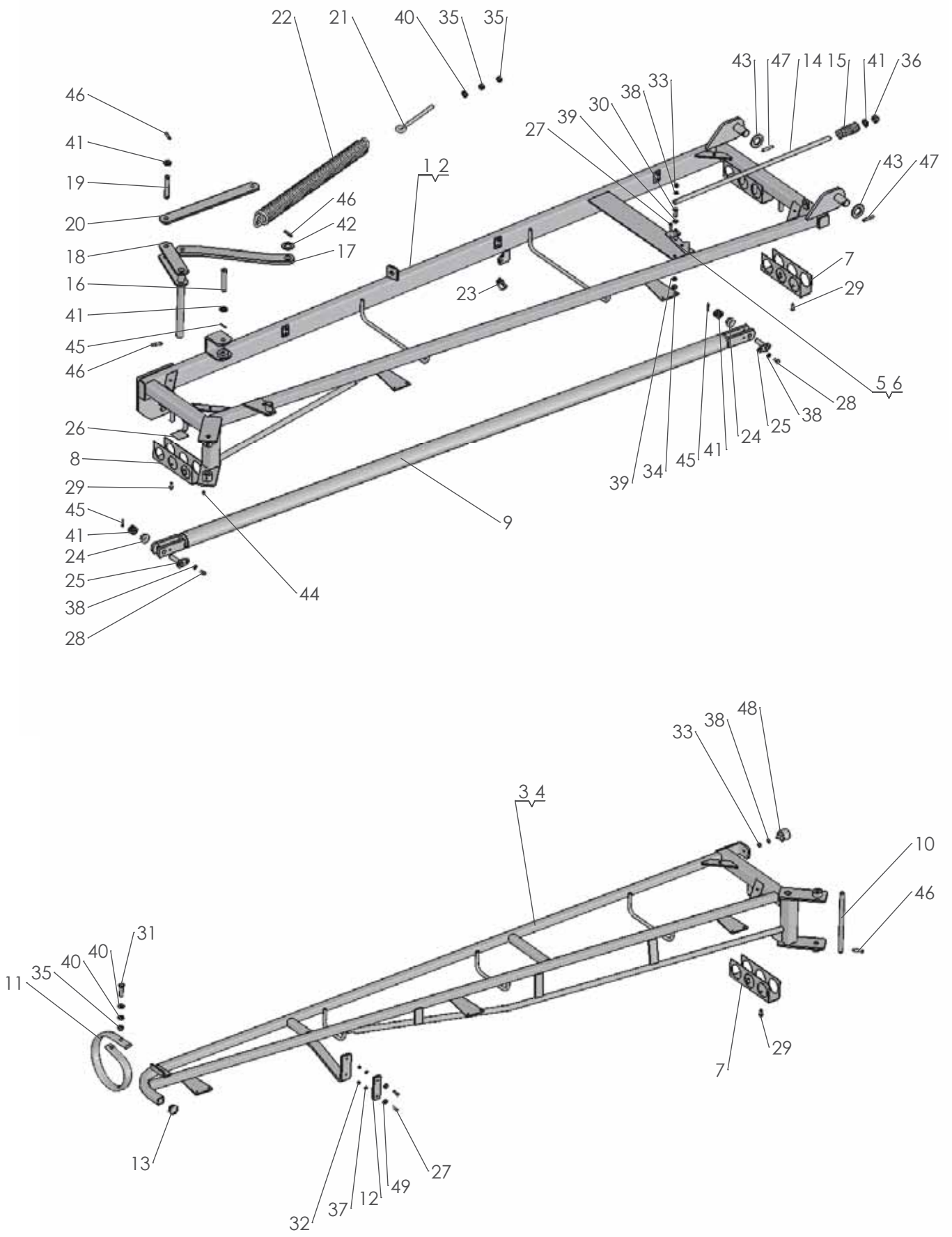
1232

Pos nr/ Ref No	Detalj nr/ Part No	Benämning	Description
1232 Ö	21530	MITTSEKTION S4824	MIDDLE SECTION S4824
1	4165 96722 00	Hållare, Ø52	Clamp, Ø52
2	4165 96298 00	Låstapp, Ø30x70	Locking pin, Ø30x70
3	4165 21910 00	Skyddsplugg, KR80x80	Protective cap, KR80x80
4	4165 22189 00	Dubbeltapp	Dubble pin
5	4165 22261 00	Bricka, Ø16,5/40x19	Washer, Ø16,5/40x19
6	4165 22478 00	Cylindrisk pinne, Ø19x71	Parallel pin, Ø19x71
7	4165 73993 00	Gummifjäder	Rubber spring
8	4165 21676 00	Bricka, Ø21/108x8	Washer, Ø21/108x8
9	4165 85469 00	Cylindrisk bult, Ø30x74	Headed clevis pin, Ø30x74
10	4165 19601 00	Rak schackel, M10	Schackle, M10
11	4165 10207 50	Kätting Ø8x47, 18 länk, L=846	Chain Ø8x47, 18 links, L=846
12	4165 16695 00	Skydds rör, Ø35/38, L=760	Protective tube, Ø35/38, L=760
13	4165 85884 00	Bricka, Ø17/38x10	Washer, Ø17/38x10
14	4165 73301 01	Cylindrisk bult, Ø16x60	Headed clevis pin, Ø16x60
15	4165 12751 88	Spridarfäste, kompl	Spreader bracket, cpl
16	4165 12751 89	Spridarplatta	Spreader plate
17	4165 23819 00	Friktionstejp	Friction tape
18	4725 23 68 40	Skruv M6S 6x 16 A2-80	Bolt ISO 4014 - M6 x 16
19	4725 24 51 40	Skruv M6S 8x 20 A2-80	Bolt ISO 4014 - M8 x 20 A2-80
20	4725 25 38 57	Skruv M6S 12x 35- 8.8 FZV	Bolt ISO 4014 - M12 x 35-8.8
21	4725 25 41 57	Skruv M6S 12x 45- 8.8 FZV	Bolt ISO 4014 - M12 x 45-8.8
22	4725 26 32 81	Skruv M6S 16x 60-10.9 MW	Bolt ISO 4014 M16x60-10.9 MW
23	4725 26 82 72	Skruv M6S 20x 90- 8.8 FZV	Bolt ISO 4017 - M20 x 90-8.8 FZV
24	4165 03619 02	Mutter M6MF 6 A2-70	Nut ISO - 4161 M6 A2
25	4731 23 22 07	Mutter M6M 12- 8 FZV	Nut ISO - 4032 - M12 FZV
26	4732 21 22 90	Mutter M6M 12 NF A2-80	Nut DIN 985 - M12
27	4731 43 24 01	Mutter ML6M 16- 5 FZB	Hexagon Thin Nut ISO - 4035 - M16
28	4731 23 24 07	Mutter M6M 16- 8 FZV	Nut ISO - 4032 - M16 FZV
29	4732 21 24 90	Mutter M6M 16 NF A2-80	Nut DIN 985 - M16 A2-80
30	4732 21 26 51	Mutter M6M 20- 8 NF FZB	Nut ISO 7040-M20-8-NF FZB
31	4734 11 53 09	Bricka BRB 6,4x 12 A2	Washer ISO 7089 - 6
32	4734 11 64 09	Bricka BRB 8,4x 16 A2	Washer ISO 7089- 8 A2
33	4734 11 78 07	Bricka BRB 13x 24 FZV	Washer ISO 7089 - 12
34	4734 11 86 07	Bricka BRB 17x 30 FZV	Washer ISO 7089 - 16
35	4734 11 92 07	Bricka BRB 21x 37 FZV	Washer ISO 7089 - 20 FZV
36	4738 88 20 03	Smörjnippel, AM 8x1,25 FZB	Grease nipple, AM 8x1,25 FZB
37	4165 86240 04	Fjädrande rörpinne FRP 16x 24	Spring pin DIN 7346 S Ø16x 24
38	4721 42 62 40	Fjädrande rörpinne FRP 4x 32 RFS	Spring Pin ISO 8752 - 4 x 32 A2
39	4721 43 47 40	Fjädrande rörpinne FRP 6x 40 RFS	Spring Pin ISO 8752 - 6 x 40 - A2
40	4725 25 40 57	Skruv M6S 12x 40- 8.8 FZV	Bolt ISO 4014 - M12 x 40-8.8 FZV
41	4165 19573 00	Tapp	Pin
42	4165 19529 00	Stötdämpare, justerbar	Shock damper, adjustable
43	4165 24355- 30	Rampfäste	Middle frame
44	4165 35548 30	Pendlingsram, höger	Pivoted frame, RH
45	4165 24352- 30	Rampstag	Boom stay
46	4165 35549 30	Pendlingsram, vänster	Pivoted frame, LH
47	4165 24363- 30	Stabiliseringsstag L=1030	Stability bar L=1030
48	4165 22190- 30	Bygel	Bracket
49	4165 21543- 30	Centreringsstag	Centre stay
50	4731 23 24 51	Mutter M6M 16-10 MW	Nut ISO-4032 M16-10 MW
51	4165 32511 30	Belysningsrör	Rear light tube
52	4165 16540 00	Flänsbussning, Ø16/25/35x18	Flange bushing, Ø16/25/35x18
53	4165 21983 00	Låstapp, Ø16x60	Locking pin, Ø16x60
54	4725 24 49 40	Skruv M6S 8x 16 A2-80	Bolt ISO 4014 - M8 x 16 A2
55	4165 25094 00	Buntband svart, L=290	Self locking ties, L=290



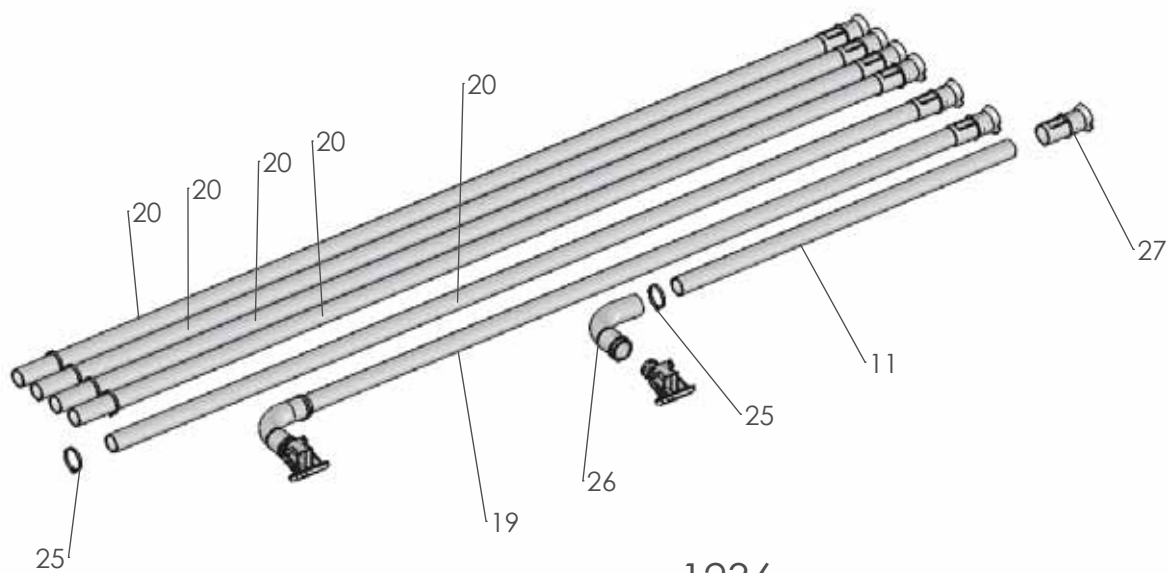
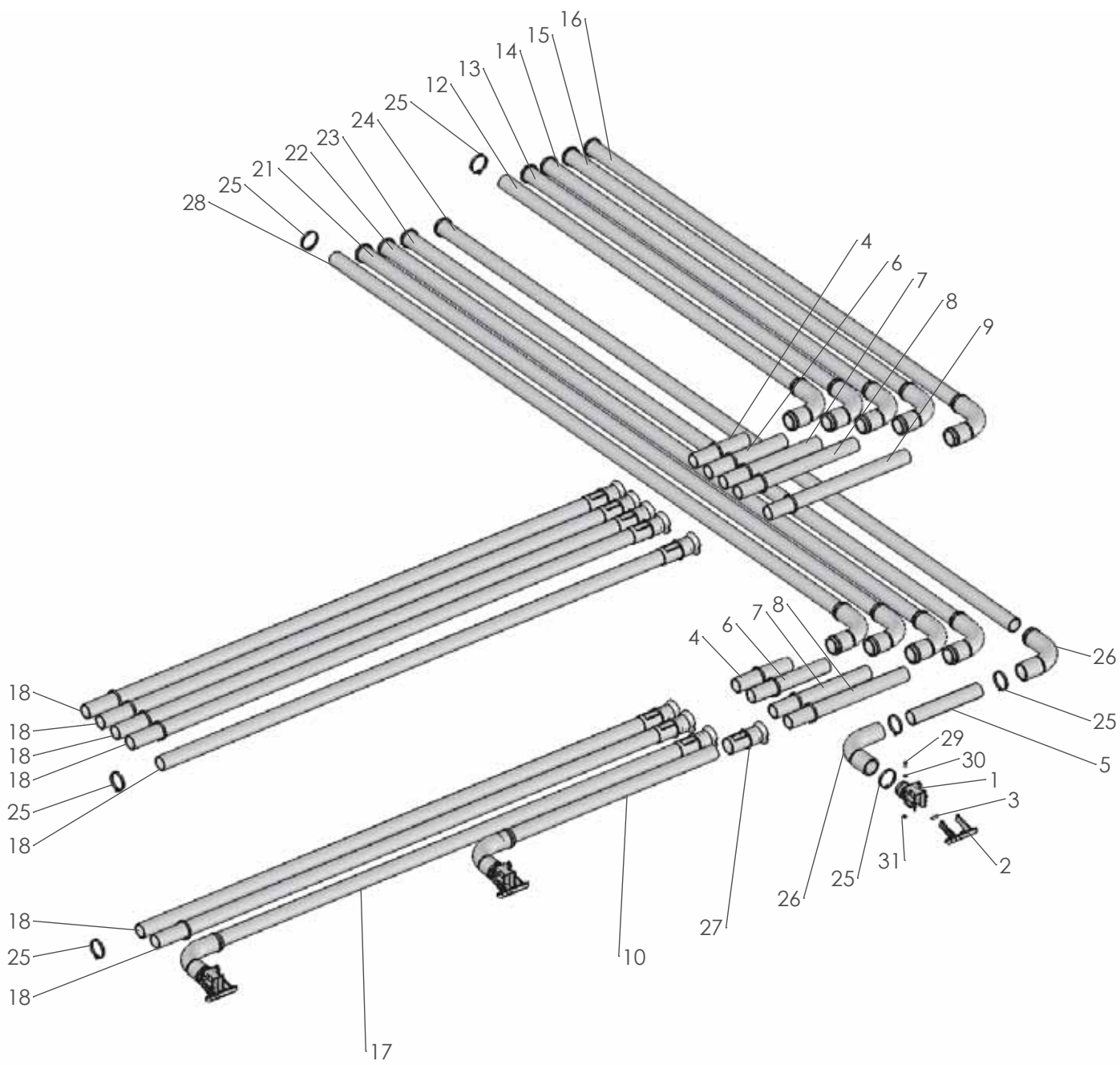
1234

Pos nr/ Ref No	Detalj nr/ Part No	Benämning	Description
1234 Ö	21530	SIDOSEKTION 1 & 2, S4824	BOOM SECTIONS 1 & 2, S4824
1	4165 21991 30	Bärbom sektion 1, vänster	Spreader boom section 1, LH
2	4165 21992 30	Bärbom sektion 1, höger	Spreader boom section 1, RH
3	4165 21989 30	Bärbom sektion 2, vänster	Spreader boom section 2, L.H
4	4165 21990 30	Bärbom sektion 2, höger	Spreader boom section 2, RH
5	4165 21683 31	Rampstag 1	Spreader bar 1
6	4165 21683 32	Rampstag 2	Spreader bar 2
7	4165 21683 33	Rampstag 3	Spreader bar 3
8	4165 96720 00	Hållare, Ø58	Support, Ø58
9	4165 96722 00	Hållare, Ø52	Clamp, Ø52
10	4165 21672 30	Länk, inre	Link, inner
11	4165 21679 30	Länk, yttre	Link, outer
12	4165 96298 00	Låstapp, Ø30x70	Locking pin, Ø30x70
13	4165 32826 00	Vibrationsdämpare, Ø40x30	Isolator, Ø40x30
14	4165 22308 00	Vantskruv M12, 225-305	Tumbuckle M12, 225-305
15	4165 22481 00	Vajeröra	Wire bracket
16	4165 16540 00	Flänsbussning, Ø16/25/35x18	Flange bushing, Ø16/25/35x18
17	4165 22466 00	Vajer Ø4, L=2180, kpl	Wire Ø4, L=2180, cpl
18	4165 21983 00	Låstapp, Ø16x60	Locking pin, Ø16x60
19	4165 22477 00	Bricka, Ø38,5/57x3	Washer, Ø38,5/57x3
20	4165 23819 00	Friktionstejp	Friction tape
21	4725 24 49 40	Skruv M6S 8x 16 A2-80	Bolt ISO 4014 - M8 x 16 A2
22	4725 24 51 40	Skruv M6S 8x 20 A2-80	Bolt ISO 4014 - M8 x 20 A2-80
23	4725 24 95 40	Skruv M6S 10x 30 A2-80	Bolt ISO 4014 - M10 x 30 A2-80
24	4725 25 32 57	Skruv M6S 12x 20- 8.8 FZV	Bolt ISO 4014-M12x20-8.8 FZV
25	4725 25 38 57	Skruv M6S 12x 35- 8.8 FZV	Bolt ISO 4014 - M12 x 35-8.8
26	4725 26 36 72	Skruv M6S 16x 80- 8.8 FZV	Bolt ISO 4017 - M16 x 80-8.8 FZV
27	4732 21 18 90	Mutter M6M 8 NF A2-80	Nut DIN 985 - M8 A2
28	4732 21 20 90	Mutter M6M 10 NF A2-80	Nut DIN 985- M10 A2-80
29	4732 21 22 90	Mutter M6M 12 NF A2-80	Nut DIN 985 - M12
30	4731 23 24 07	Mutter M6M 16- 8 FZV	Nut ISO - 4032 - M16 FZV
31	4734 11 64 09	Bricka BRB 8,4x 16 A2	Washer ISO 7089- 8 A2
32	4734 11 73 09	Bricka BRB 10,5x 20 A2	Washer ISO 7089 - 10
33	4734 11 78 07	Bricka BRB 13x 24 FZV	Washer ISO 7089 - 12
34	4734 11 86 07	Bricka BRB 17x 30 FZV	Washer ISO 7089 - 16
35	4734 12 04 07	Bricka BRB 31x 56 FZV	Washer ISO 7089 - 30
36	4738 88 20 03	Smörjnippel, AM 8x1,25 FZB	Grease nipple, AM 8x1,25 FZB
37	4721 42 62 40	Fjädrande rörpinne FRP 4x 32 RFS	Spring Pin ISO 8752 - 4 x 32 A2
38	4721 43 85 40	Fjädrande rörpinne FRP 8x 50 RFS	Spring pin ISO 8752 8x 50 RFS
39	4165 19601 00	Rak schackel, M10	Schackel, M10



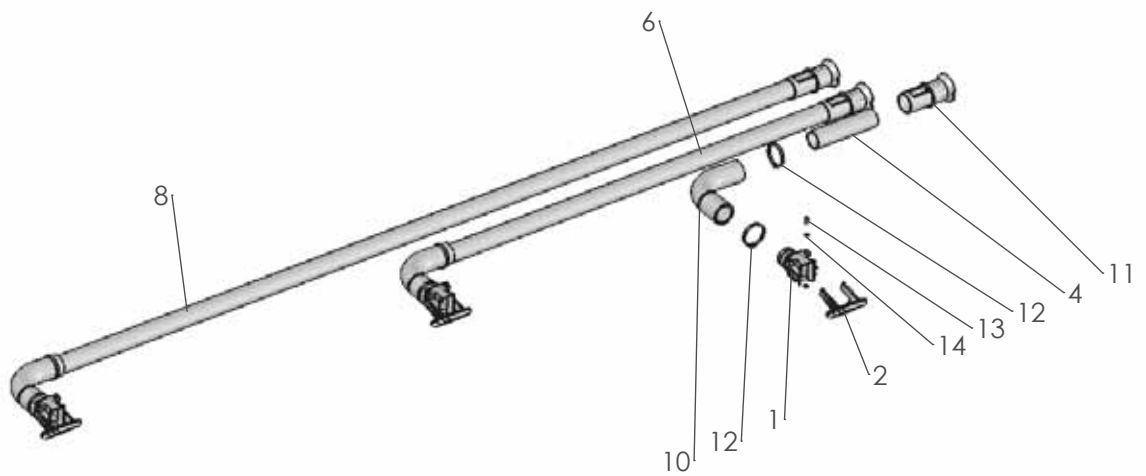
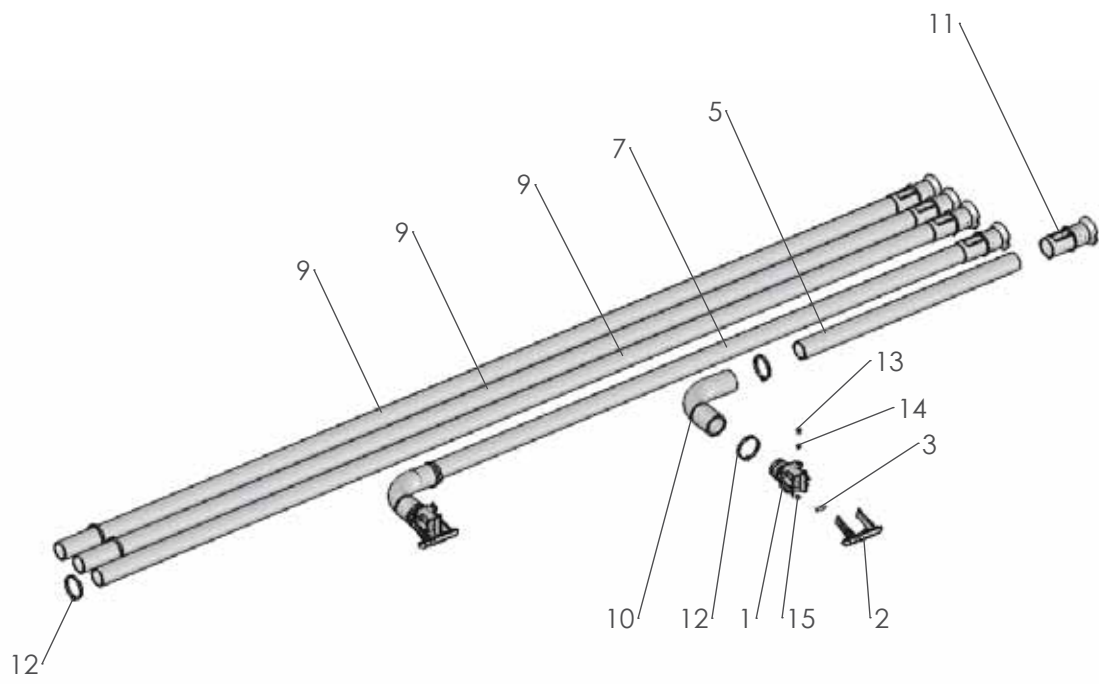
1235

Pos nr/ Ref No	Detalj nr/ Part No	Benämning	Description
1235 Ö	21530	SIDOSEKTION 3 & 4, S4824	BOOM SECTIONS 3 & 4, S4824
1	4165 21987 30	Bärbom sektion 3, vänster	Spreader boom section 3, LH
2	4165 21988 30	Bärbom sektion 3, höger	Spreader boom section 3, RH
3	4165 21985 30	Bärbom Sektion 4 vänster	Boom section 4 left
4	4165 21986 30	Bärbom sektion 4 höger	Beam sektion 4 right
5	4165 18309 00	Spärrhake kompl, vänster	Catch compl, left
6	4165 18310 00	Spärrhake kompl, höger	Catch compl, right
7	4165 96720 00	Hållare, Ø58	Support, Ø58
8	4165 96722 00	Hållare, Ø52	Clamp, Ø52
9	4165 21683 34	Rampstag 4	Spreader bar 4
10	4165 18167 00	Tapp, Ø16x265	Pin, Ø16x265
11	4165 19528 00	Överfjäder	Spring tine
12	4165 17591 00	Gummidämpning	Rubber damping
13	4165 96964 00	Skyddsplugg, KR 30x30x3	Protective cap, KR 30x30x3
14	4165 22292 30	Stötstång	Pushrod
15	4165 17906 00	Tryckfjäder, Ø17/29x88	Compression spring, Ø17/29x88
16	4165 96799 00	Cylindrisk bult, Ø16x95	Headed clevis pin, Ø16x95
17	4165 15865 00	Länk	Link
18	4165 15845 00	Länkarm, svets	Link arm, weldment
19	4165 18169 00	Cylindrisk pinne, Ø16x98	Parallel pin, Ø16x98
20	4165 15883 00	Dragstag (fjäder)	Tie rod (spring)
21	4165 16674 00	Ögleskruv, M12x200	Eye bolt, M12x200
22	4165 12187 42	Dragfjäder	Extension Spring
23	4165 16556 00	Ringsprint, Ø8x37	Linch pin, Ø8x37
24	4165 16540 00	Flänsbussning, Ø16/25/35x18	Flange bushing, Ø16/25/35x18
25	4165 21983 00	Låstapp, Ø16x60	Locking pin, Ø16x60
26	4165 23819 00	Friktionstejp	Friction tape
27	4725 23 72 40	Skruv M6S 6x 25 A2-80	Bolt ISO 4014 - M6 x 25 A2-80
28	4725 24 49 40	Skruv M6S 8x 16 A2-80	Bolt ISO 4014 - M8 x 16 A2
29	4725 24 51 40	Skruv M6S 8x 20 A2-80	Bolt ISO 4014 - M8 x 20 A2-80
30	4725 24 95 40	Skruv M6S 10x 30 A2-80	Bolt ISO 4014 - M10 x 30 A2-80
31	4725 25 41 57	Skruv M6S 12x 45- 8.8 FZV	Bolt ISO 4014 - M12 x 45-8.8
32	4732 21 16 90	Mutter M6M 6 NF A2-80	Nut DIN 985 - M6
33	4732 21 18 90	Mutter M6M 8 NF A2-80	Nut DIN 985 - M8 A2
34	4732 21 20 90	Mutter M6M 10 NF A2-80	Nut DIN 985- M10 A2-80
35	4731 23 22 07	Mutter M6M 12- 8 FZV	Nut ISO - 4032 - M12 FZV
36	4732 21 24 90	Mutter M6M 16 NF A2-80	Nut DIN 985 - M16 A2-80
37	4734 11 53 09	Bricka BRB 6,4x 12 A2	Washer ISO 7089 - 6
38	4734 11 64 09	Bricka BRB 8,4x 16 A2	Washer ISO 7089- 8 A2
39	4734 11 73 09	Bricka BRB 10,5x 20 A2	Washer ISO 7089 - 10
40	4734 11 78 07	Bricka BRB 13x 24 FZV	Washer ISO 7089 - 12
41	4734 11 86 07	Bricka BRB 17x 30 FZV	Washer ISO 7089 - 16
42	4734 12 00 07	Bricka BRB 26x 45 FZV	Washer ISO 7089 - 1 inch
43	4734 12 04 07	Bricka BRB 31x 56 FZV	Washer ISO 7089 - 30
44	4738 88 20 03	Smörjnippel, AM 8x1,25 FZB	Grease nipple, AM 8x1,25 FZB
45	4721 42 62 40	Fjädrande rörpinne FRP 4x 32 RFS	Spring Pin ISO 8752 - 4 x 32 A2
46	4721 43 83 40	Fjädrande rörpinne FRP 8x 40 RFS	Spring pin ISO 8752 8x40 RFS
47	4721 43 85 40	Fjädrande rörpinne FRP 8x 50 RFS	Spring pin ISO 8752 8x 50 RFS
48	4165 32826 00	Vibrationsdämpare, Ø40x30	Isolator, Ø40x30
49	4734 11 53 49	Bricka DIN 9021 6,4x18 A2	Washer DIN 9021 - 6.4



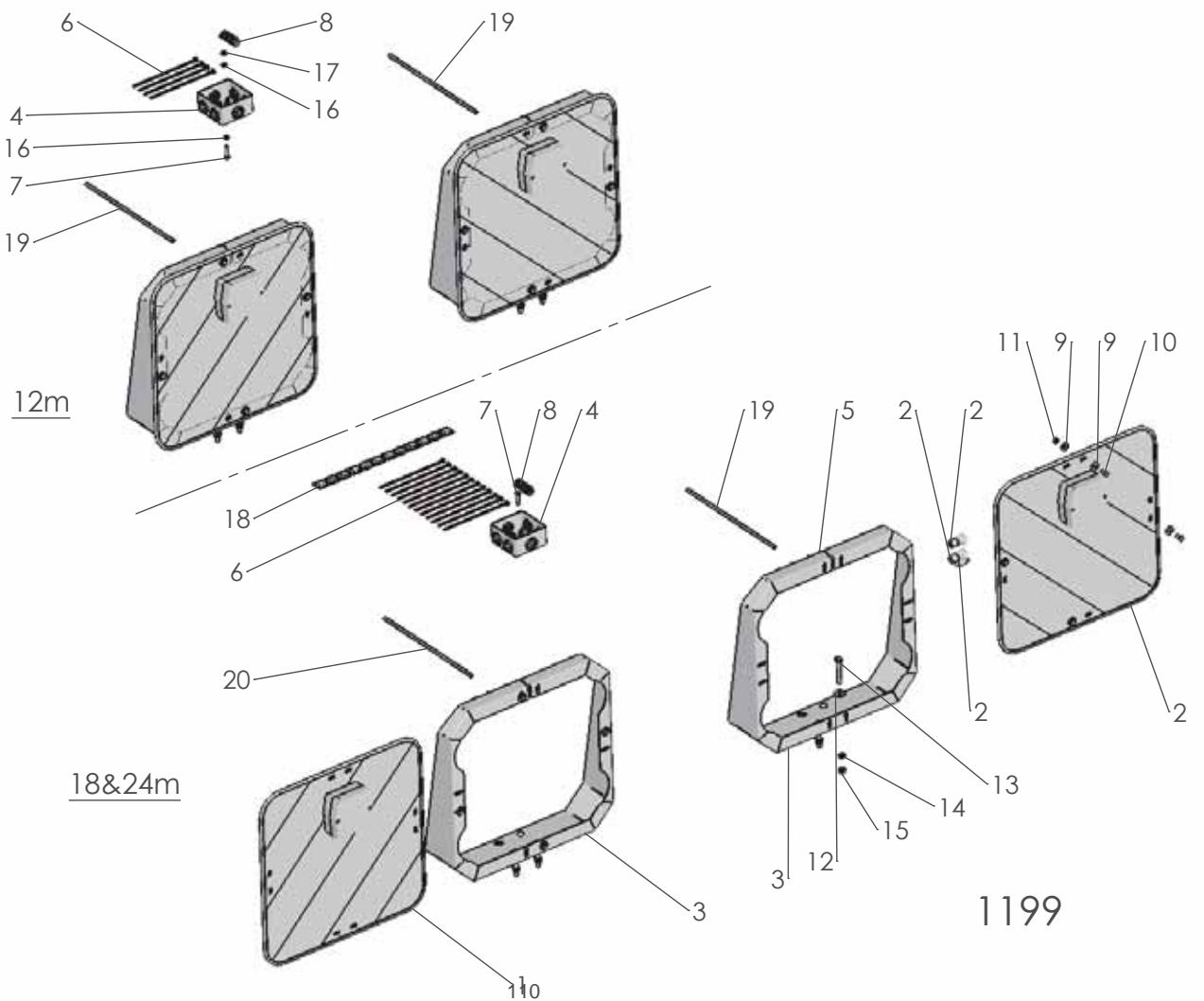
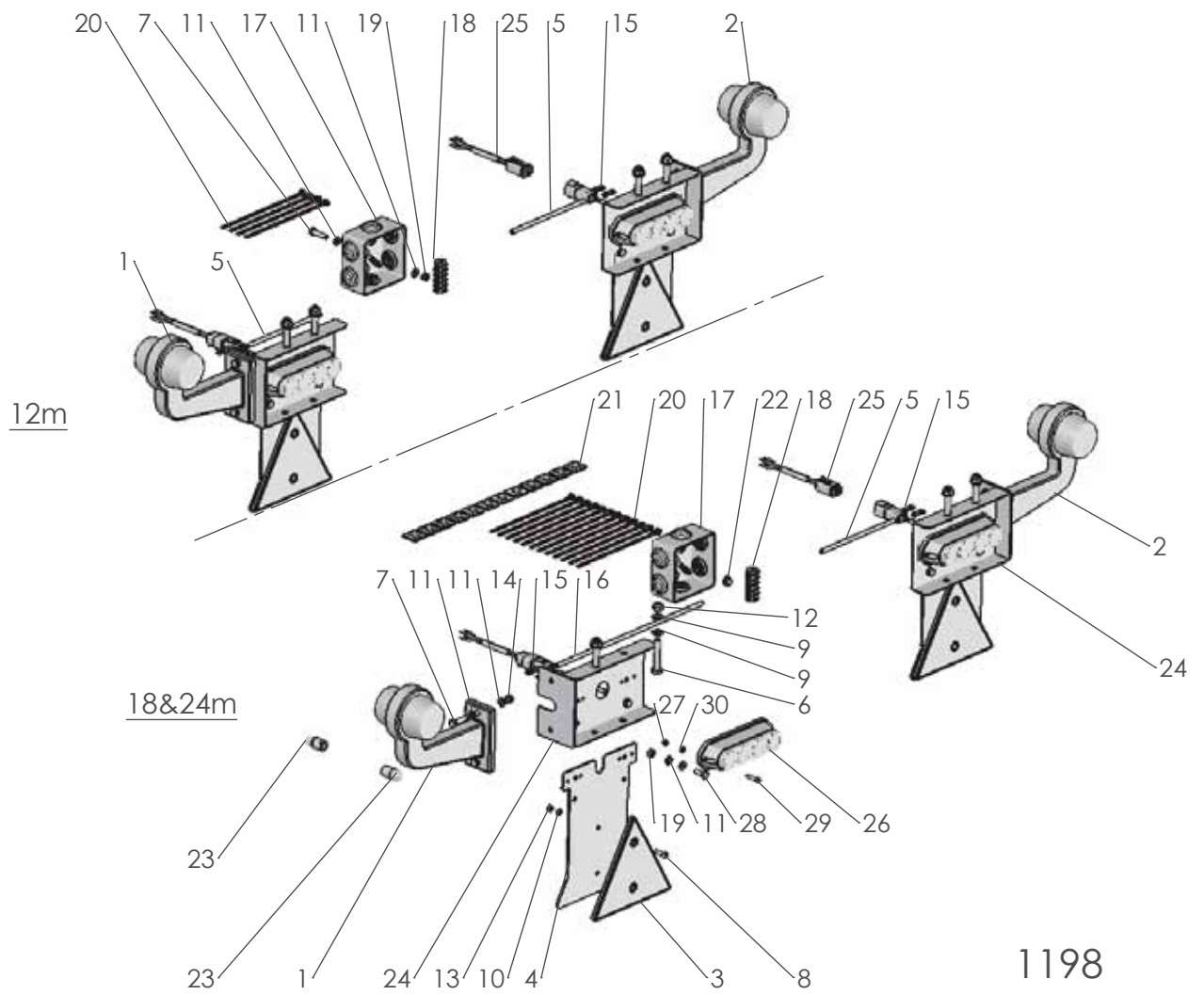
1236

Pos nr/ Ref No	Detalj nr/ Part No	Benämning	Description
1236 Ö		SPRIDARRÖR MITTEN OCH SEKTION 1, S4824	SPREADER TUBES MIDDLE AND SECTION 1, S4824
	4165 27905 00	Spridarrör, L=6000	Spreader tube, L=6000
1	4165 12751 88	Spridarfäste, kompl	Spreader bracket, cpl
2	4165 12751 89	Spridarplatta	Spreader plate
3	4165 19573 00	Tapp	Pin
4	4165 14121 20-	Spridarrör, L= 220	Spreader pipe, L= 220
5	4165 12176 09	Spridarrör, L= 284	Spreader pipe, L= 284
6	4165 12172 55	Spridarrör, L= 315	Spreader tube, L= 315
7	4165 12176 10	Spridarrör, L= 396	Spreader pipe, L= 396
8	4165 22570 00	Spridarrör, L= 490	Spreader pipe, L= 490
9	4165 22571 00	Spridarrör, L= 580	Spreader pipe, L= 580
10	4165 22572 00	Spridarrör, L= 900	Spreader pipe, L= 900
11	4165 22573 00	Spridarrör, L= 1120	Spreader pipe, L= 1120
12	4165 22575 00	Spridarrör, L= 1630	Spreader pipe, L= 1630
13	4165 35787 00	Spridarrör, L= 1710	Spreader pipe, L= 1710
14	4165 22577 00-	Spridarrör, L= 1790	Spreader pipe, L= 1790
15	4165 22578 00-	Spridarrör, L= 1870	Spreader pipe, L= 1870
16	4165 22580 00	Spridarrör, L= 2030	Spreader pipe, L= 2030
17	4165 22581 00	Spridarrör, L= 2070	Spreader pipe, L= 2070
18	4165 22582 00	Spridarrör, L= 2185	Spreader pipe, L= 2185
19	4165 97769 00	Spridarrör, L=2315	Spreader tube, L=2315
20	4165 22584 00	Spridarrör, L= 2785	Spreader pipe, L= 2785
21	4165 35788 00	Spridarrör, L= 2820	Spreader pipe, L= 2820
22	4165 22585 00	Spridarrör, L=2920	Spreader tube, L=2920
23	4165 22586 00-	Spridarrör, L= 3000	Spreader pipe, L= 3000
24	4165 22587 00	Spridarrör, L= 3060	Spreader pipe, L= 3060
25	4165 25094 00	Buntband svart, L=290	Self locking ties, L=290
26	4165 12160 73	Spridarkrök, gummi	Spreader bend, rubber
27	4165 16148 00	Skarvmuff	Joint sleeve
28	4165 27902 00	Spridarrör, L=2760	Spreader tube, L=2760
29	4725 23 68 40	Skruv M6S 6x 16 A2-80	Bolt ISO 4014 - M6 x 16
30	4734 11 53 09	Bricka BRB 6,4x 12 A2	Washer ISO 7089 - 6
31	4165 03619 02	Mutter M6MF 6 A2-70	Nut ISO - 4161 M6 A2



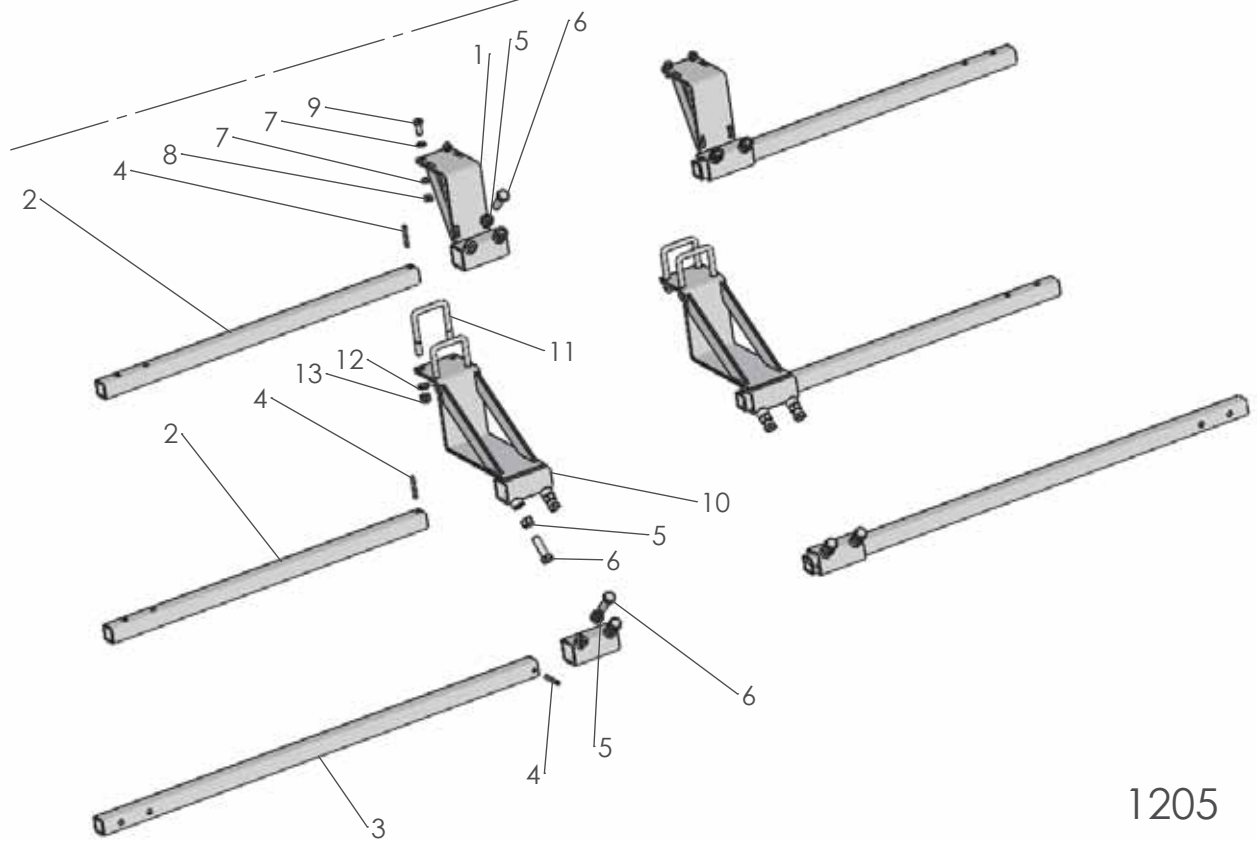
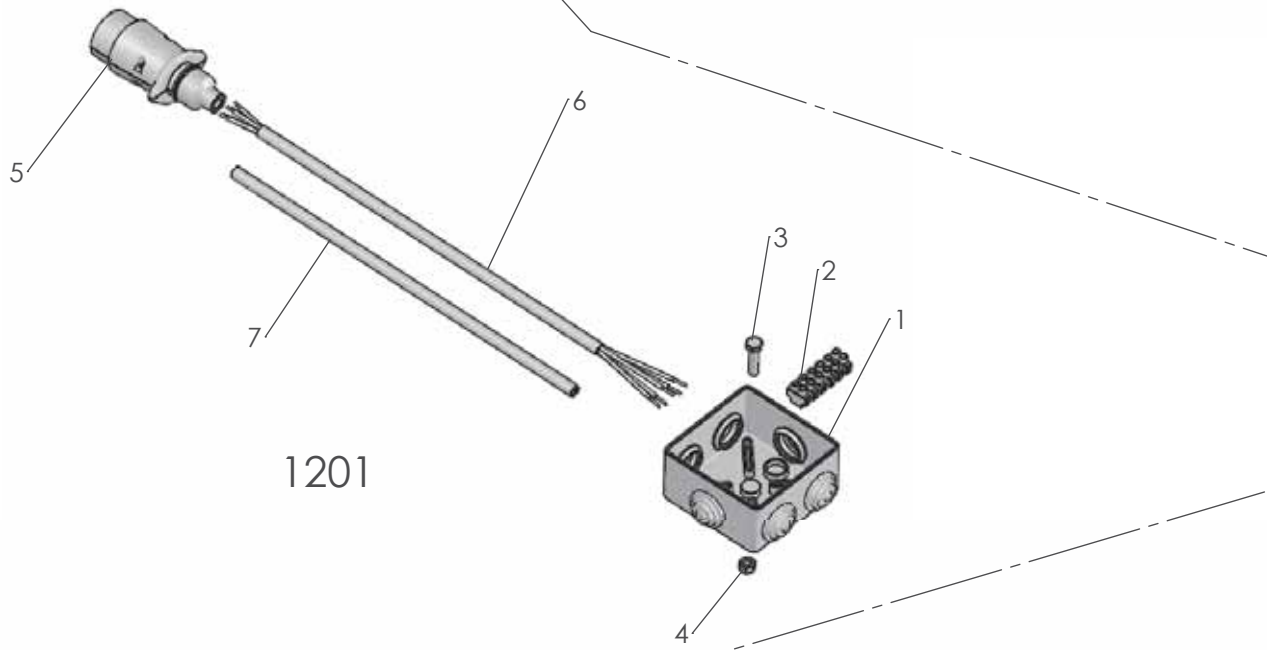
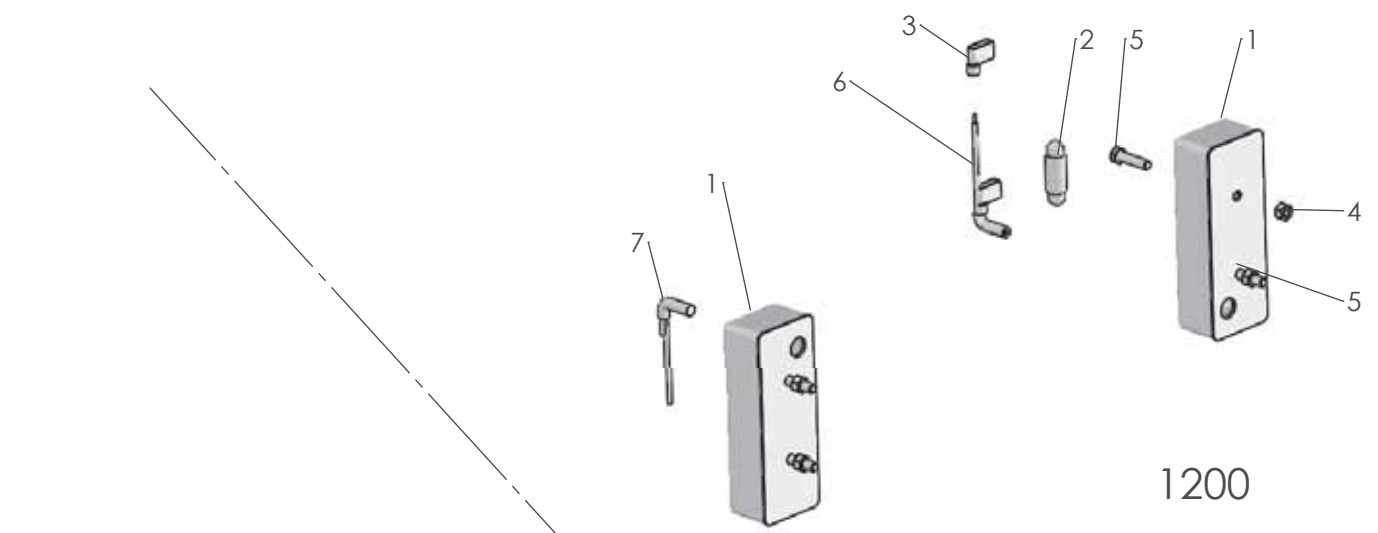
1237

Pos nr/ Ref No	Detalj nr/ Part No	Benämning	Description
1237 Ö		SPIDARRÖR SEKTION 3 & 4, S4824	SPREADER TUBES SECTION 3 & 4, S4824
	4165 27905 00	Spridarrör, L=6000	Spreader tube, L=6000
1	4165 12751 88	Spridarfäste, kompl	Spreader bracket, cpl
2	4165 12751 89	Spridarplatta	Spreader plate
3	4165 19573 00	Tapp	Pin
4	4165 22569 00	Spridarrör, L= 200	Spreader pipe, L= 200
5	4165 14115 50	Spridarrör, L= 723	Spreader pipe, L= 723
6	4165 22574 00	Spridarrör, L= 1400	Spreader pipe, L= 1400
7	4165 22579 00	Spridarrör, L= 1920	Spreader pipe, L= 1920
8	4165 22583 00	Spridarrör, L= 2600	Spreader pipe, L= 2600
9	4165 22588 00	Spridarrör, L= 2885	Spreader pipe, L= 2885
10	4165 12160 73	Spridarkrök, gummi	Spreader bend, rubber
11	4165 16148 00	Skarvmuff	Joint sleeve
12	4165 25094 00	Buntband svart, L=290	Self locking ties, L=290
13	4725 23 68 40	Skruv M6S 6x 16 A2-80	Bolt ISO 4014 - M6 x 16
14	4734 11 53 09	Bricka BRB 6,4x 12 A2	Washer ISO 7089 - 6
15	4165 03619 02	Mutter M6MF 6 A2-70	Nut ISO - 4161 M6 A2



Pos nr/ Ref No	Detalj nr/ Part No	Benämning	Description
1198 Ö		BELYSNING	LIGHTS
1	4165 99430 00	Breddmarkeringsljus	Position light
2	4165 99430 00	Breddmarkeringsljus	Position light
3	4165 12984 85	Reflex (släpvagn)	Reflex (trailer)
4	4165 32522 30	Reflexfäste	Reflector bracket
5	4165 27981 00	Kabel, RKKB 2x1,5x2000	Cable, RKKB 2x1,5x2000
6	4725 24 60 40	Skruv M6S 8x 45 A2-80	Bolt ISO 4014 - M8 x 45
7	4725 23 72 40	Skruv M6S 6x 25 A2-80	Bolt ISO 4014 - M6 x 25 A2-80
8	4723 13 29 40	Skruv MCS 5x 16 A2-70	Bolt ISO 1207 - M5 x 16 A2-70
9	4734 11 64 09	Bricka BRB 8,4x 16 A2	Washer ISO 7089- 8 A2
10	4734 11 46 09	Bricka BRB 5,3x 10 A2	Washer ISO 7089 - 5
11	4734 11 53 09	Bricka BRB 6,4x 12 A2	Washer ISO 7089 - 6
12	4732 21 18 90	Mutter M6M 8 NF A2-80	Nut DIN 985 - M8 A2
13	4731 23 14 40	Mutter M6M 5 A2-80	Nut ISO - 4032 - M5 A2-80
14	4732 21 16 90	Mutter M6M 6 NF A2-80	Nut DIN 985 - M6
15	4165 19321 00	Flatsiftshylsa	Connector
16	4165 98564 00	Kabel, RKKB 2x1,5x3000	Cable, RKKB 2x1,5x3000
17	4165 17071 00	Kopplingsbox	Junction box
18	4762 73 06 57	Kopplingsplint	Terminal block
19	4731 23 16 40	Mutter M6M 6 A2-80	Hexagon Nut ISO - 4032 - M6 A2-80
20	4165 12002 80	Buntband svart, L=170	Self-locking ties black, L=170
21	4165 21911 00	Buntbandsankare, självhäftande	Cable tie clamp
22	4729 83 68 51	Skruv MF6S-TT 6x16 FZB	Bolt MF6S-TT 6x16 FZB
23	4165 12984 72	Glödlampa, 5W	Bulb, 5W
24	4165 32508 30	Belysningshållare	Light bracket
25	4165 30450 00	Kontakt m kabel	Connector w cable
26	4165 36434 00	Bakljus, LED	Rear light, LED
27	4732 21 12 90	Mutter M6M 4 NF A2-80	Nut DIN 985 - M4
28	4725 23 68 40	Skruv M6S 6x 16 A2-80	Bolt ISO 4014 - M6 x 16
29	4723 12 95 40	Skruv MCS 4x 20 A2-70	Bolt ISO 1207 - M4 x 20
30	4734 11 36 09	Bricka BRB 4,3x 9 A2	Washer ISO 7089 - 4

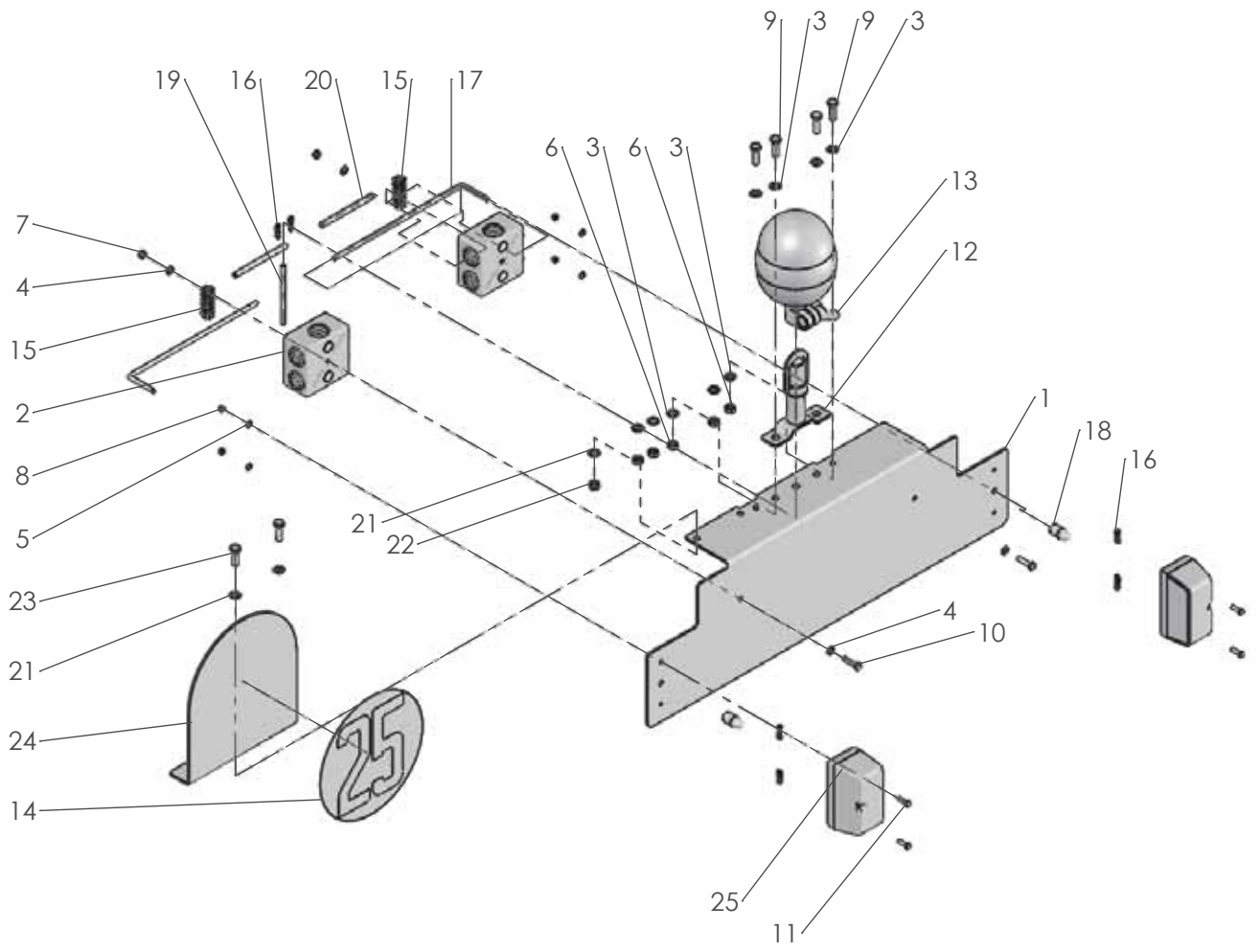
Pos nr/ Ref No	Detalj nr/ Part No	Benämning	Description
1199 Ö		BELYSNING, TYSKLAND	LIGHTS, GERMANY
1	4165 26001 00	Belysningstavla vänster, Tyskland	Light board LH, Germany
2	4165 25497 00	Belysningstavla höger, Tyskland	Light board RH, Germany
3	7203307006	Belysningshållare, universal	Rear light bracket, universal
4	4165 17071 00	Kopplingsbox	Junction box
5	4165 19321 00	Flatsiftshylsa	Connector
6	4165 12002 80	Buntband svart, L=170	Self-locking ties black, L=170
7	4725 23 72 40	Skruv M6S 6x 25 A2-80	Bolt ISO 4014 - M6 x 25 A2-80
8	4762 73 06 57	Kopplingsplint	Terminal block
9	4734 11 53 49	Bricka DIN 9021 6,4x18 A2	Washer DIN 9021 - 6.4
10	4725 23 67 40	Skruv M6S 6x 14 A2-80	Bolt ISO 4014 - M6 x 14 A2-80
11	4732 21 16 90	Mutter M6M 6 NF A2-80	Nut DIN 985 - M6
12	4734 11 64 49	Bricka DIN 9021 8,4x24 A2	Washer DIN 9021 - 8.4
13	4725 24 62 40	Skruv M6S 8x 55 A2-80	Bolt ISO 4014 - M8 x 55 A2-80
14	4734 11 64 09	Bricka BRB 8,4x 16 A2	Washer ISO 7089- 8 A2
15	4732 21 18 90	Mutter M6M 8 NF A2-80	Nut DIN 985 - M8 A2
16	4734 11 53 09	Bricka BRB 6,4x 12 A2	Washer ISO 7089 - 6
17	4731 23 16 40	Mutter M6M 6 A2-80	Hexagon Nut ISO - 4032 - M6 A2-80
18	4165 21911 00	Buntbandsankare, självhäftande	Cable tie clamp
19	4165 22674 00	Kabel, RKKB 4x1,5x2000	Cable, RKKB 4x1,5x2000
20	4165 22675 00	Kabel, RKKB 4x1,5x3000	Cable, RKKB 4x1,5x3000



Pos nr/ Ref No	Detalj nr/ Part No	Benämning	Description
1200 Ö		POSITIONSLJUS, FRAM	POSITIONS LIGHTS, FRONT
1	4165 25964 00	Positionslampa, vit	Position lamp, white
2	4165 25498 00	Glödlampa, 5W S 8,5	Bulb, 5W S 8,5
3	4760 49 52 31	Flatsiftshylsa 90°	Connector 90°
4	4731 23 14 40	Mutter M6M 5 A2-80	Nut ISO - 4032 - M5 A2-80
5	4725 23 31 40	Skruv M6S 5x 20 A2-80	Bolt ISO 4014 - M5 x 20
6	4165 98697 00	Kabel, RKKB 2x1,5x1500	Cable, RKKB 2x1,5x1500
7	4165 98564 00	Kabel, RKKB 2x1,5x3000	Cable, RKKB 2x1,5x3000

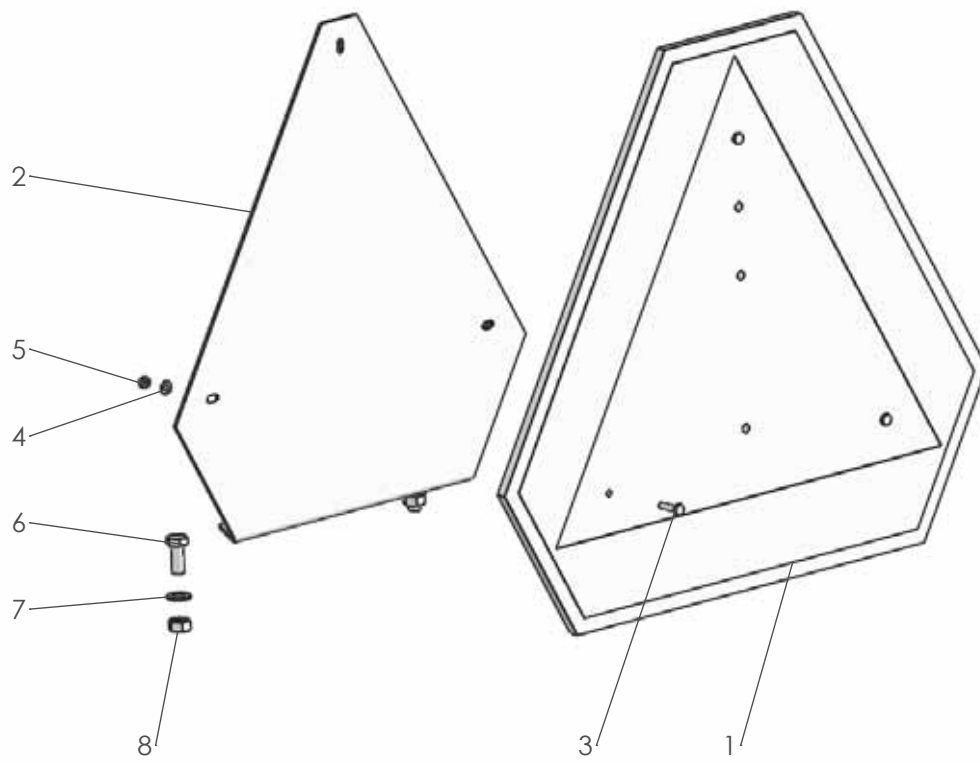
Pos nr/ Ref No	Detalj nr/ Part No	Benämning	Description
1201 Ö		BÄRVAGNSEL	CHASSIS ELECTRIC
1	4165 17071 00	Kopplingsbox	Junction box
2	4762 73 06 57	Kopplingsplint	Terminal block
3	4725 23 72 40	Skruv M6S 6x 25 A2-80	Bolt ISO 4014 - M6 x 25 A2-80
4	4732 21 16 90	Mutter M6M 6 NF A2-80	Nut DIN 985 - M6
5	4165 12983 62	Stickpropp, 7-pol	Plug 7 poles
6	4165 12176 06	Kabel, RKKB 5x1,5x5400	Wire, RKKB 5x1,5x5400
7	4165 98534 00	Kabel, RKKB 5x1,5x5100	Wire, RKKB 5x1,5x5100

Pos nr/ Ref No	Detalj nr/ Part No	Benämning	Description
1205 Ö		BELYSNINGSSARMAR	TAILLIGHT ARMS
1	4165 32514 30	Ljuskäste, kompl	Rear light, bracket, cpl
2	4165 32515 30	Belysningsrör	Rear light tube
3	4165 32511 30	Belysningsrör	Rear light tube
4	4721 43 47 40	Fjädrande rörpinne FRP 6x 40 RFS	Spring Pin ISO 8752 - 6 x 40 - A2
5	4731 23 22 07	Mutter M6M 12- 8 FZV	Nut ISO - 4032 - M12 FZV
6	4725 25 40 57	Skruv M6S 12x 40- 8.8 FZV	Bolt ISO 4014 - M12 x 40-8.8 FZV
7	4734 11 64 09	Bricka BRB 8,4x 16 A2	Washer ISO 7089- 8 A2
8	4732 21 18 90	Mutter M6M 8 NF A2-80	Nut DIN 985 - M8 A2
9	4725 24 51 40	Skruv M6S 8x 20 A2-80	Bolt ISO 4014 - M8 x 20 A2-80
10	4165 32518 30	Ljuskäste, kompl	Rear light, bracket, cpl
11	500010776	Krampa, M10x54x75	Clamp, M10x54x75
12	4734 11 73 09	Bricka BRB 10,5x 20 A2	Washer ISO 7089 - 10
13	4732 21 20 90	Mutter M6M 10 NF A2-80	Nut DIN 985- M10 A2-80



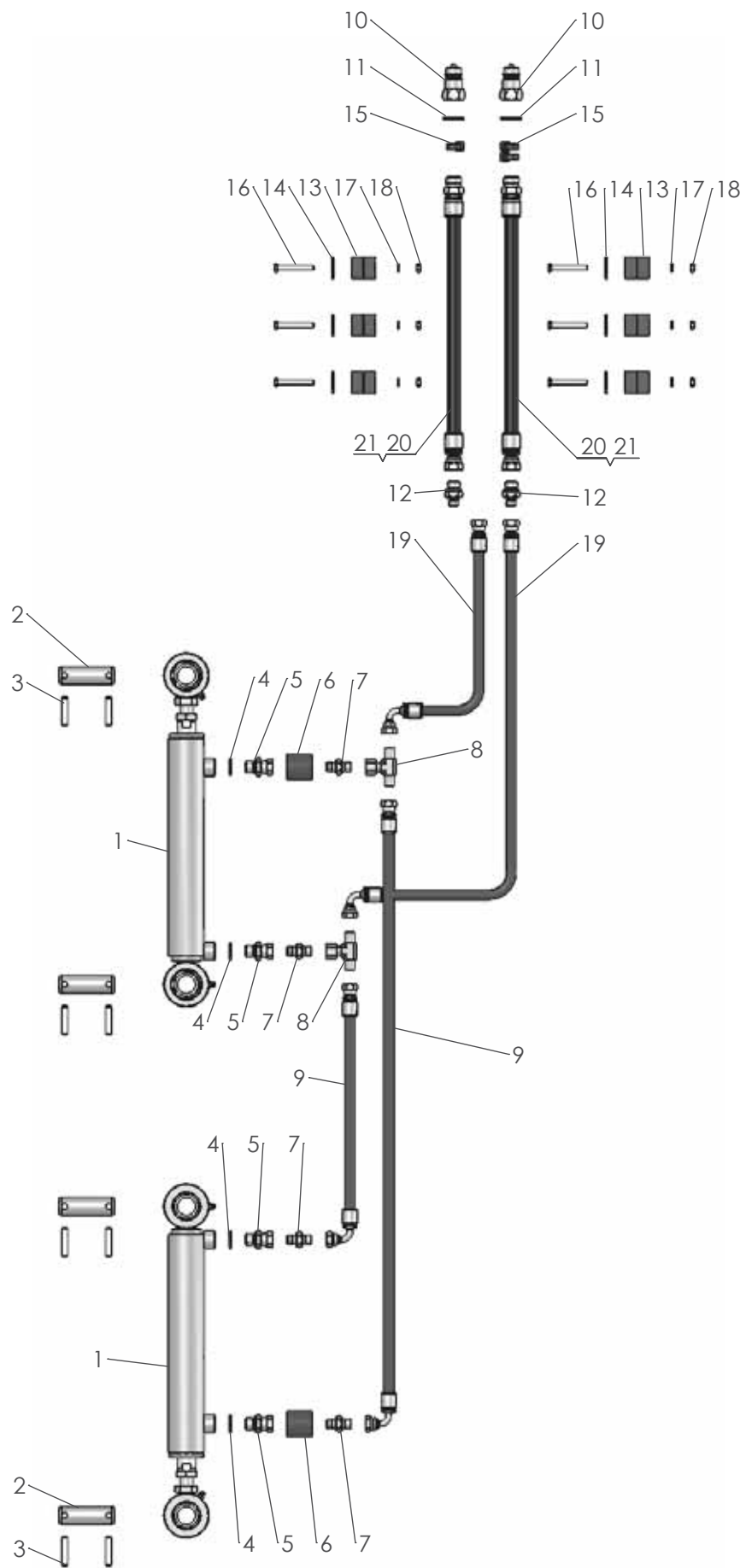
1261

Pos nr/ Ref No	Detalj nr/ Part No	Benämning	Description
1261 Ö		BELYSNING, FRANKRIKE	LIGHTS, FRANCE
1	4165 32507 30	Nummerskyltplåt	Number plate plate
2	4165 17071 00	Kopplingsbox	Junction box
3	4734 11 64 07	Bricka BRB 8,4x 16 FZV	Washer ISO 7089 - 8
4	4734 11 53 09	Bricka BRB 6,4x 12 A2	Washer ISO 7089 - 6
5	4734 11 46 09	Bricka BRB 5,3x 10 A2	Washer ISO 7089 - 5
6	4731 23 18 07	Mutter M6M 8- 8 FZV	Nut ISO - 4032 - M8 FZV
7	4731 23 16 40	Mutter M6M 6 A2-80	Hexagon Nut ISO - 4032 - M6 A2-80
8	4732 21 14 90	Mutter M6M 5 NF A2-80	Nut DIN 985-M5 NF
9	4725 24 53 57	Skruv M6S 8x 25- 8.8 FZV	Bolt ISO 4014 - M8 x 25-8.8
10	4725 23 72 40	Skruv M6S 6x 25 A2-80	Bolt ISO 4014 - M6 x 25 A2-80
11	4725 23 29 40	Skruv M6S 5x 16 A2-80	Bolt ISO 4014 - M5 x 16
12	4165 32530 00	Fäste för varningsljus	Bracket for warning light
13	4165 32527 00	Roterande varningsljus	Rotating warning light
14	4165 33354 00	Dekal: 25km/h FR	Decal: 25km/h FR
15	4762 73 06 57	Kopplingsplint	Terminal block
16	4165 19321 00	Flatsiftshylsa	Connector
17	4165 32544 00	Kabel, RKKB 2x1,5x 300	Cable, RKKB 2x1,5x 300
18	4165 32526 00	Glödlampa, 10W	Bulb, 10W
19	4165 35294 00	Kabel, RKKB 2x1,5x 400	Cable, RKKB 2x1,5x 400
20	4165 35295 00	Kabel, RKKB 4x1,5x500	Cable, RKKB 4x1,5x500
21	4734 11 64 09	Bricka BRB 8,4x 16 A2	Washer ISO 7089- 8 A2
22	4732 21 18 90	Mutter M6M 8 NF A2-80	Nut DIN 985 - M8 A2
23	4725 24 53 40	Skruv M6S 8x 25 A2-80	Bolt ISO 4014- M8x 25 A2-80
24	4165 33355 40	Dekalfäste	Decal bracket
25	4165 32525 00	Skyltbelysning	Number plate light

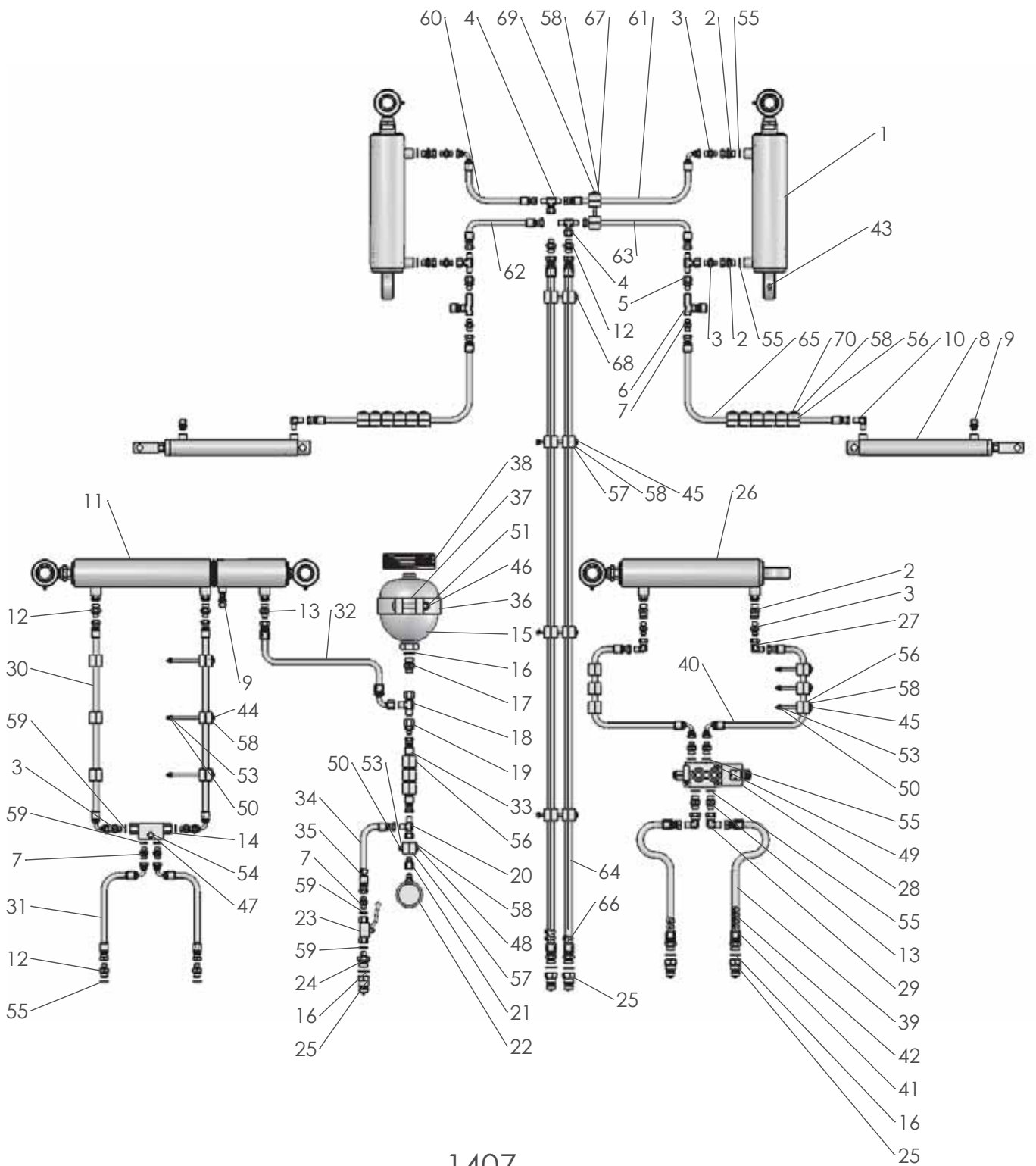


1207

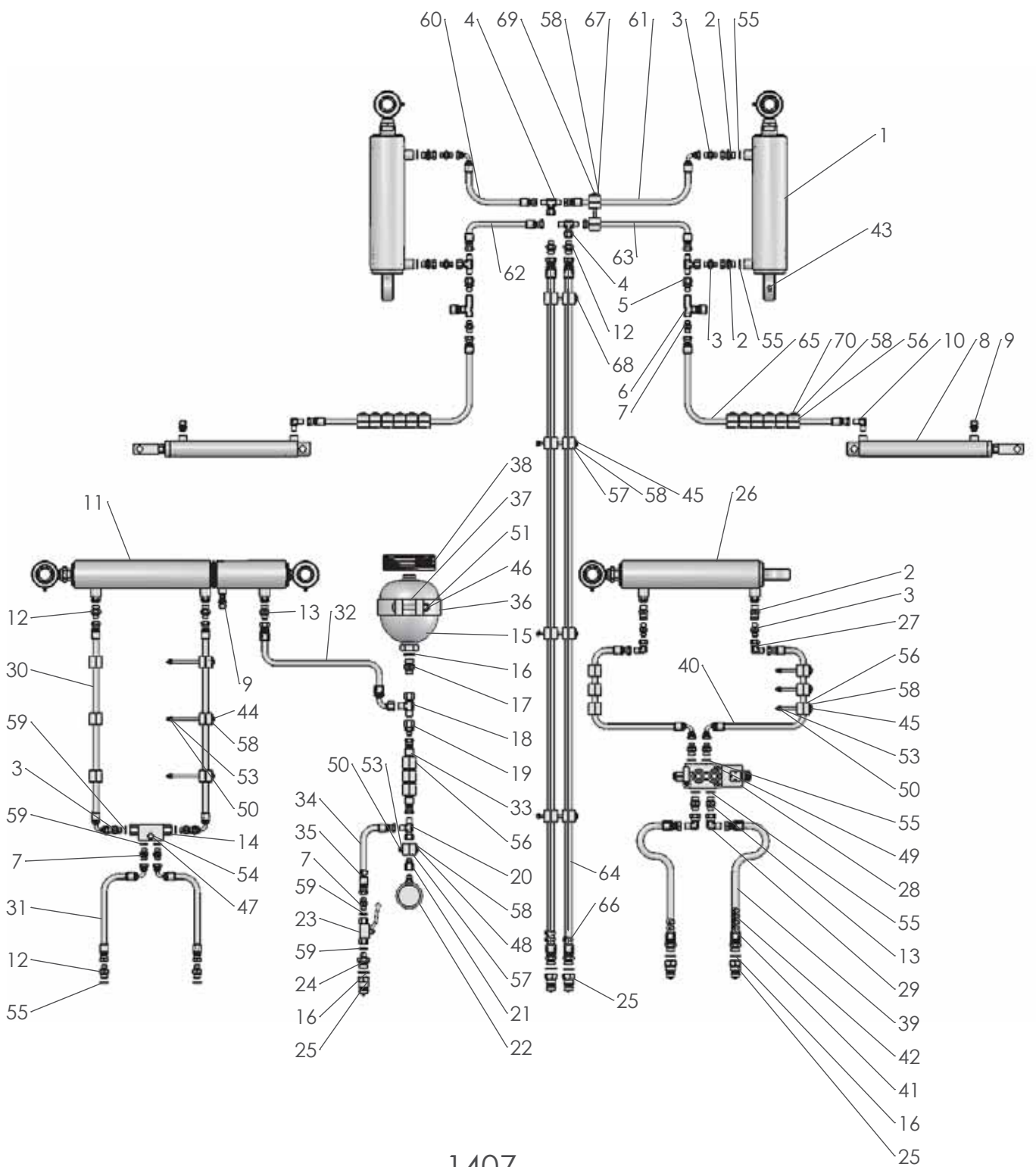
Pos nr/ Ref No	Detalj nr/ Part No	Benämning	Description
1207 Ö		LGF-SKYLT	SMV-SIGN
1	4165 19351 00	LGF-skylt	SMV-sign
2	4165 14677 00	Fästplåt för LGF-skylt	Bracket plate for SMV-sign
3	4725 22 93 40	Skruv M6S 4x 16 A2-80	Bolt ISO 4014-M4x16 A2-80
4	4734 11 36 09	Bricka BRB 4,3x 9 A2	Washer ISO 7089 - 4
5	4731 23 12 40	Mutter M6M 4 A2-80	Hexagon Nut ISO - 4032 - M4
6	4725 24 51 40	Skruv M6S 8x 20 A2-80	Bolt ISO 4014 - M8 x 20 A2-80
7	4734 11 64 09	Bricka BRB 8,4x 16 A2	Washer ISO 7089- 8 A2
8	4731 23 18 40	Mutter M6M 8 A2-80	Nut ISO - 4032 - M8 A2-80



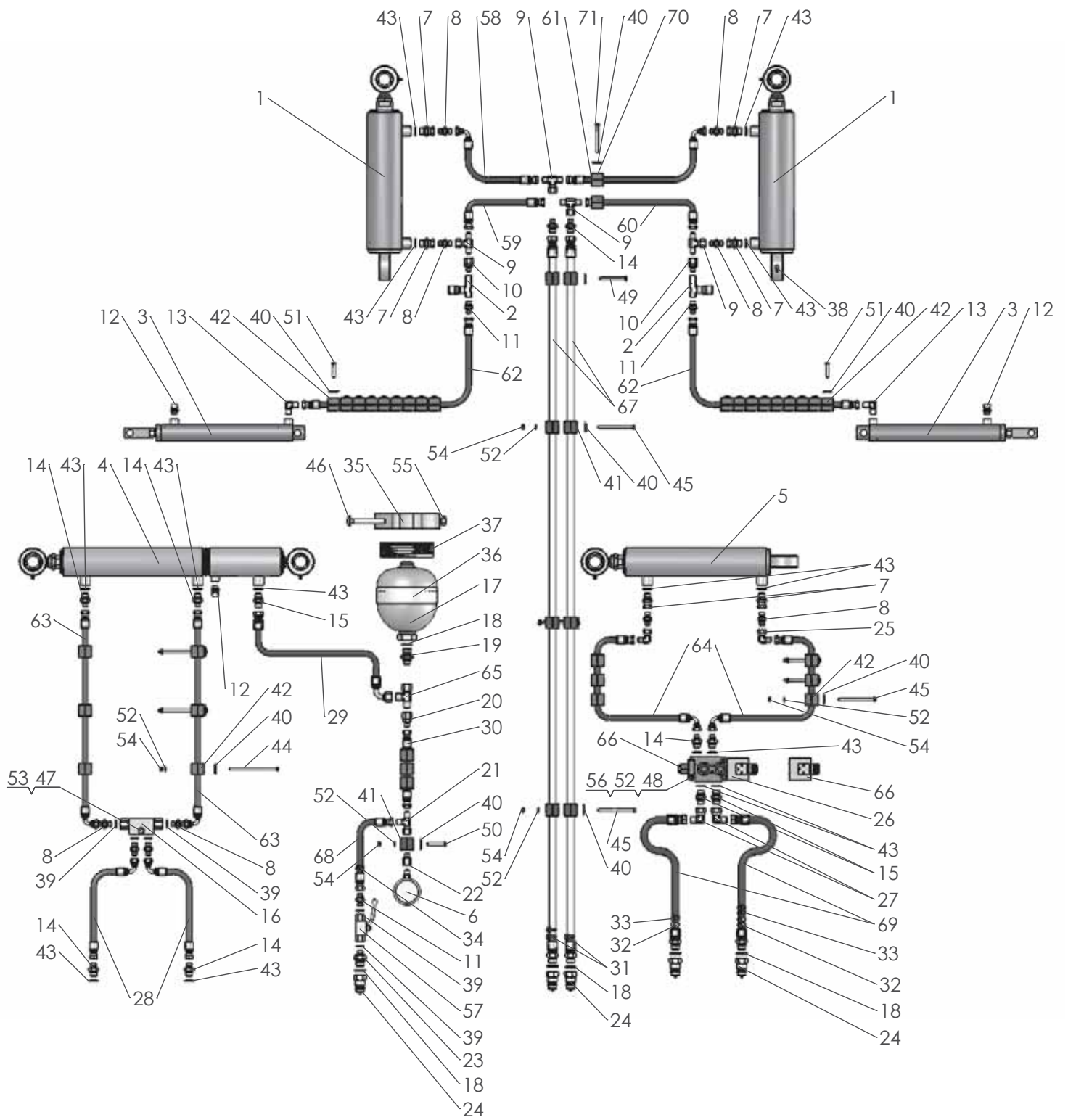
Pos nr/ Ref No	Detalj nr/ Part No	Benämning	Description
1172 Ö		HYDRAULSYSTEM S4812	HYDRAULIC SYSTEM S4812
1	4165 14193 00	Hydraulcylinder DV, Ø40/25x200	Hydraulic cylinder DA, Ø40/25x200
2	4165 16606 00	Cylindrisk pinne, Ø25x77	Parallel pin, Ø25x77
3	4721 43 83 40	Fjädrande rörpinne FRP 8x 40 RFS	Spring pin ISO 8752 8x40 RFS
4	4165 94417 00	Gummistålbricka, G3/8	Bonded seal, G3/8
5	4165 16814 00	Rak adapt, 3/8" - 1/4"	Stright union, 3/8" - 1/4"
6	4165 14883 00	Såslang, L=35	Seed hose, L=35
7	4165 25215 00	Strypadapt Ø0,8, 1/4"	Restriction union Ø0,8, 1/4"
8	4165 91311 00	T-adapt	T-union
9	4165 14196 00	Hydraulslang 1/4, L=700	Hydraulic hose 1/4, L=700
10	4165 74814 00	Handel 1/2"	Quick coupling M, 1/2"
11	4165 80316 00	Gummistålbricka, G1/2	Bonded seal, G1/2
12	4165 93574 00	Rak adapt, 3/8" - 1/4"	Stright union, 3/8"-1/4"
13	4165 23812 00	Klammerpar, Ø16	Tube clamps, Ø16
14	4165 22614 00	Täckplatta 26	Covering plate 26
15	4165 23588 00	Buntband blå, L=368	Cable tie blue, L=368
16	4725 23 80 40	Skruv M6S 6x 50 A2-80	Bolt ISO 4014 - M6 x 50 A2-80
17	4734 11 53 09	Bricka BRB 6,4x 12 A2	Washer ISO 7089 - 6
18	4731 23 16 40	Mutter M6M 6 A2-80	Hexagon Nut ISO - 4032 - M6 A2-80
19	4165 14603 00	Hydraulslang, L=970	Hydraulic hose, L=970
20	4165 33826 00	Hydraulslang, L=7100	Hydraulic hose, L=7100
21	4165 23810 00	Hydraulslang, L=6850	Hydraulic hose, L=6850



Pos nr/ Ref No	Detalj nr/ Part No	Benämning	Description
1407 Ö1		HYDRAULIK S4818	HYDRAULIC S4818
1	4165 23550 50	Hydraulicylinder DV, Ø80/40x245	Hydraulic cylinder DA, Ø80/40x245
2	4165 16814 00	Rak adapt, 3/8" - 1/4"	Stright union, 3/8" - 1/4"
3	4165 25215 00	Strypadapt Ø0,8, 1/4"	Restriction union Ø0,8, 1/4"
4	4165 91311 00	T-adapt	T-union
5	4165 94577 00	Rakadapt, 1/4	Stright union, 1/4
6	4165 91396 00	Backstryventil, ISO-G1/4	Check valve
7	4165 79031 00	Adapt, 1/4" - 1/4"	Stright union, 1/4" - 1/4"
8	4165 13774 00	Hydraulicylinder DV, Ø32/16x261	Hydraulic cylinder DA, Ø32/16x261
9	4165 91814 00	Filterpropp, G1/4	Breathing filter, G1/4
10	4165 84446 00	L-adapt 1/4"	L-union 1/4"
11	4165 22560 50	Hydraulicylinder DDV, Ø63/32	Hydraulic cylinder DDA, Ø63/32
12	4165 93574 00	Rak adapt, 3/8" - 1/4"	Stright union, 3/8"-1/4"
13	4165 92434 00	Rak adapt, 3/8" - 3/8"	Stright union, 3/8" - 3/8"
14	4165 99185 00	Pilotstyrd backventil	Pilot operated checkvalv
15	4165 23468 50	Membranackumulator 1,4l, 5MPa	Membrane accumulator 1.4l, 5MPa
16	4165 80316 00	Gummistålbricka, G1/2	Bonded seal, G1/2
17	4165 92438 00	Rak adapt, 1/2" - 3/8"	Stright union
18	4165 93968 00	T-adapt	T-Union
19	4165 17980 00	Rak adapt, 1/4" - 3/8"	Stright union, 1/4" - 3/8"
20	4165 91077 00	T-adapt	T-Union
21	4165 92226 00	Rak adapt	Stright union
22	4165 80750 00	Manometer	Pressure gauge
23	4165 84096 00	Kulventil, ISO-G1/4	Ball valve, ISO-G1/4
24	4165 77231 00	Rak adapt 1/2" - 1/4"	Stright union
25	4165 74814 00	Handel 1/2"	Quick coupling M, 1/2"
26	4165 22080 50	Hydraulicylinder DV, Ø63/32x245	Hydraulic cylinder DA, Ø63/32x245
27	4165 85636 00	L-adapt, 1/4"	L-Union, 1/4"
28	4165 96331 50	Omkastarventil, elstyrd 6/2	Shifter valve, 6/2
29	4165 92939 00	L-Adapt 3/8" - 3/8"	L-Union 3/8" - 3/8"
30	4165 16612 40	Hydraulslang 1/4, L=4700	Hydraulic hose 1/4, L=4700
31	4165 98772 00	Hydraulslang 1/4, L=500	Hydraulic hose 1/4, L= 500
32	4165 93568 00	Hydraulslang, L=1820	Hydraulic hose, L=1820
33	4165 77329 00	Hydraulslang, L=4540	Hydraulic hose, L=4540
34	4165 92691 00	Hydraulslang, L=4040	Hydraulic hose, L=4040
35	4165 24477 00	Buntband natur, L=206	Cable tie, L=206
36	4165 93755 50	Ackumulatorfäste, Ø155	Accumulator bracket, Ø155
37	4165 24842 03	Självhäftande list	Self adhesive list
38	4165 23002 00	Dekal: Ackumulator 5MPa, S/GB	Decal: Accumulator 5MPa, S/GB
39	4165 99970 00	Hydraulslang 3/8, L=3900	Hydraulic hose 3/8, L=3900
40	4165 16606 60	Hydraulslang 1/4, L=3900	Hydraulic hose 1/4, L=3900
41	4165 23586 00	Buntband gul, L=368	Cable tie yellow, L=368
42	4165 23589 00	Buntband svart, L=206	Cable tie black, L=206
43	4738 88 70 02	Smörjnippel, CM 6 FZB	Grease nipple, CM 6 FZB
44	4725 23 94 40	Skruv M6S 6x120 A2-80	Bolt ISO 4014 - M6 x 120
45	4725 23 88 40	Skruv M6S 6x 90 A2-80	Bolt ISO 4014 - M6 x 90
46	4727 65 50 51	Skruv MVBF 12x 90- 8.8 FZB	Bolt ISO 8677-M12x90-8.8 FZB
47	4725 24 49 57	Skruv M6S 8x 16- 8.8 FZV	Bolt ISO 4014 - M8 x 16-8.8
48	4725 23 79 40	Skruv M6S 6x 45 A2-80	Bolt ISO 4014 - M6 x 45 A2-80
49	4725 53 80 40	Skruv MC6S 6x 50 A2-80	Bolt ISO 4762 M6 x 50 A2-80
50	4731 23 16 40	Mutter M6M 6 A2-80	Hexagon Nut ISO - 4032 - M6 A2-80

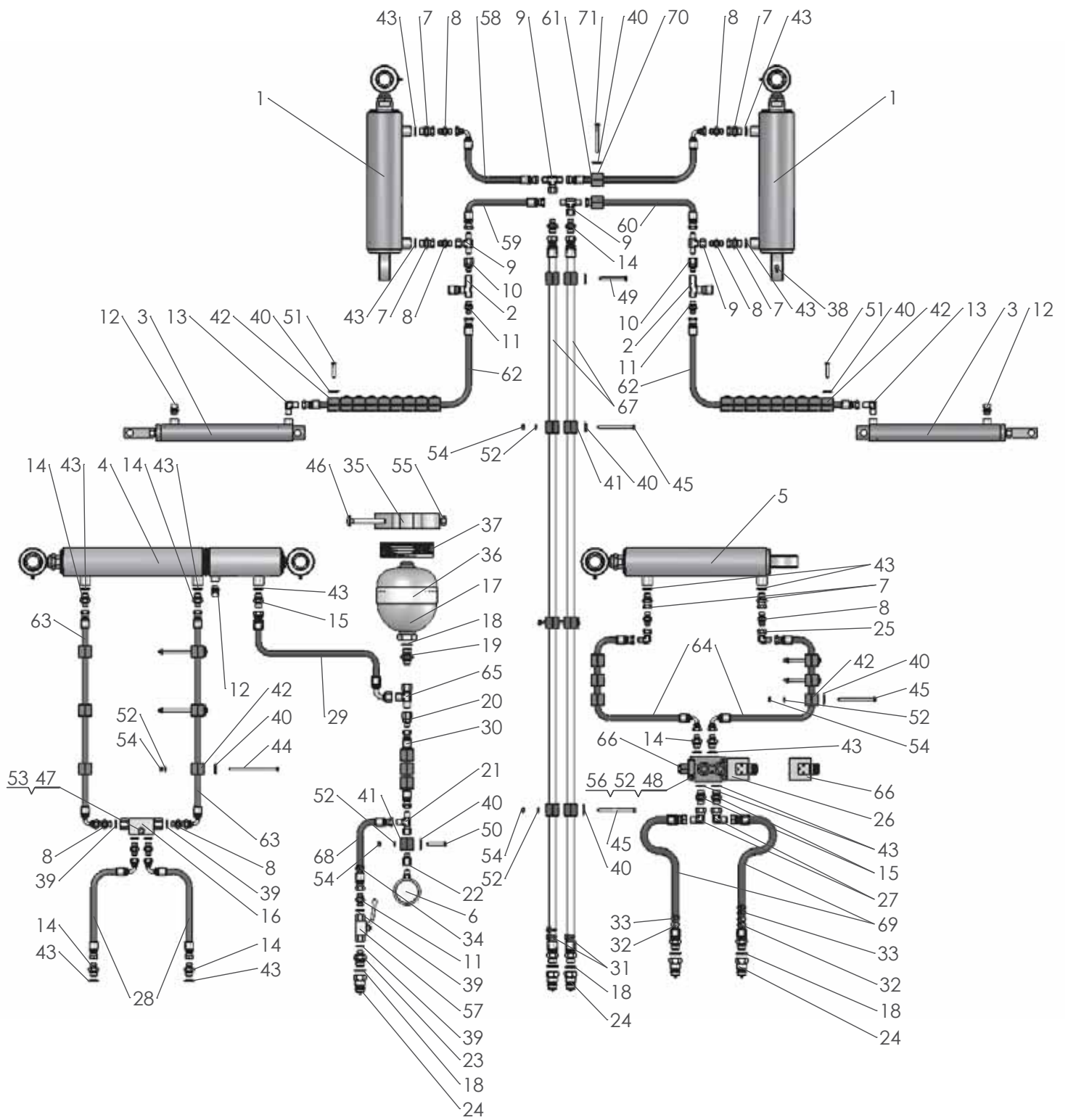


Pos nr/ Ref No	Detalj nr/ Part No	Benämning	Description
1407 Ö2		HYDRAULIK S4818	HYDRAULIC S4818
51	4731 23 22 40	Mutter M6M 12 A2-80	Nut ISO - 4032 - M12 A2-80
52	4732 21 16 90	Mutter M6M 6 NF A2-80	Nut DIN 985 - M6
53	4734 11 53 09	Bricka BRB 6,4x 12 A2	Washer ISO 7089 - 6
54	4734 11 64 07	Bricka BRB 8,4x 16 FZV	Washer ISO 7089 - 8
55	4165 94417 00	Gummistålbricka, G3/8	Bonded seal, G3/8
56	4165 94290 00	Klammerpar, Ø12,7	Tube clamps, Ø12,7
57	4165 23812 00	Klammerpar, Ø16	Tube clamps, Ø16
58	4165 22614 00	Täckplatta 26	Covering plate 26
59	4165 12983 01	Gummistålbricka, G1/4"	Bonded seal, G1/4
60	4165 22110 00	Hydraulslang 1/4, L=800	Hydraulic hose 1/4, L=800
61	4165 14632 00	Hydraulslang, L=1900	Hydraulic hose, L=1900
62	4165 92466 00	Hydraulslang, L=500	Hydraulic hose, L=500
63	4165 77234 00	Hydraulslang, L=1540	Hydraulic hose, L=1540
64	4165 25485 00	Hydraulslang, L=7400	Hydraulic hose, L=7400
65	4165 15905 00	Hydraulslang, L=5070	Hydraulic hose, L=5070
66	4165 23588 00	Buntband blå, L=368	Cable tie blue, L=368
67	4165 31501 00	Klammerpar, Ø18	Tube clamps, Ø18
68	4725 23 83 40	Skruv M6S 6x 65 A2-80	Bolt ISO 4014 - M6 x 65 A2-80
69	4725 23 84 40	Skruv M6S 6x 70 A2-80	Bolt ISO 4014 - M6 x 70 A2-80
70	4725 23 76 40	Skruv M6S 6x 35 A2-80	Bolt ISO 4014 - M6 x 35 A2-80



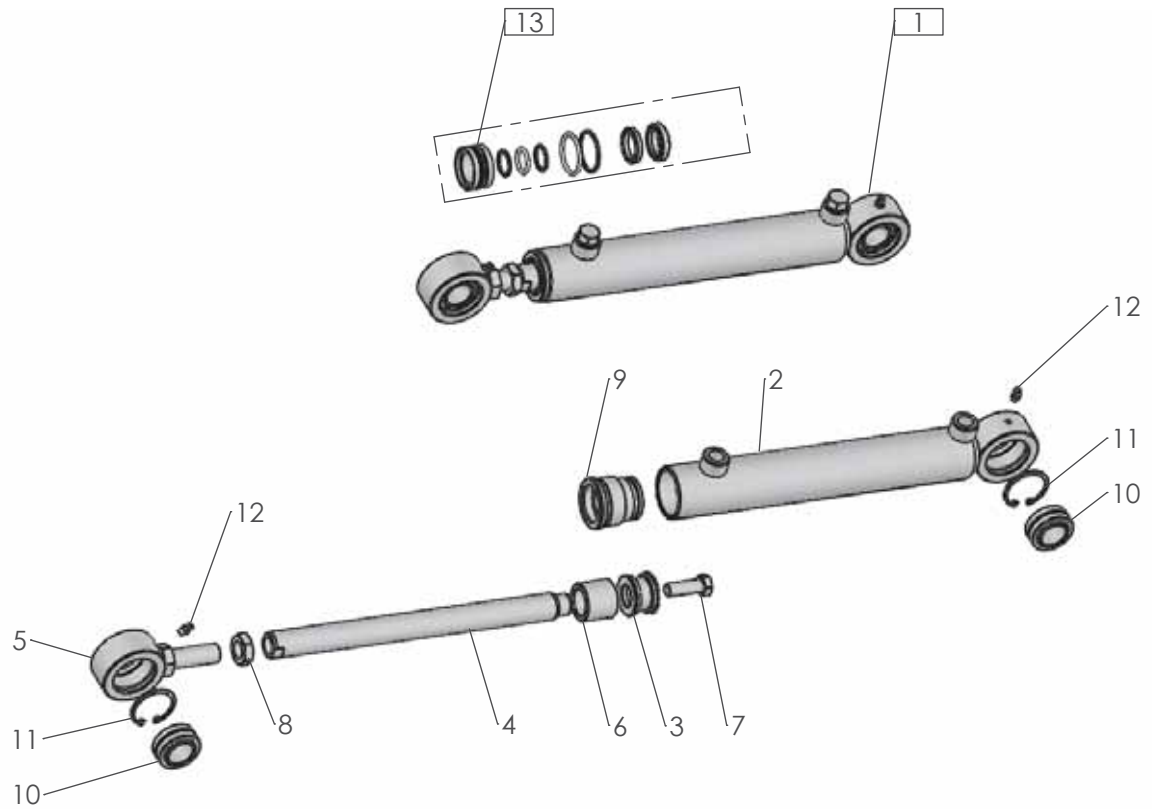
1174

Pos nr/ Ref No	Detalj nr/ Part No	Benämning	Description
1174 Ö1		HYDRAULIK S4824	HYDRAULIC S4824
1	4165 23550 50	Hydraulcylinder DV, Ø80/40x245	Hydraulic cylinder DA, Ø80/40x245
2	4165 91396 00	Backstryventil, ISO-G1/4	Check valve
3	4165 13774 00	Hydraulcylinder DV, Ø32/16x261	Hydraulic cylinder DA, Ø32/16x261
4	4165 22560 50	Hydraulcylinder DDV, Ø63/32	Hydraulic cylinder DDA, Ø63/32
5	4165 22080 50	Hydraulcylinder DV, Ø63/32x245	Hydraulic cylinder DA, Ø63/32x245
6	4165 80750 00	Manometer	Pressure gauge
7	4165 16814 00	Rak adapt, 3/8" - 1/4"	Stright union, 3/8" - 1/4"
8	4165 25215 00	Strypadapt Ø0,8, 1/4"	Restriction union Ø0,8, 1/4"
9	4165 91311 00	T-adapt	T-union
10	4165 94577 00	Rakadapt, 1/4	Stright union, 1/4
11	4165 79031 00	Adapt, 1/4" - 1/4"	Stright union, 1/4" - 1/4"
12	4165 91814 00	Filterpropp, G1/4	Breathing filter, G1/4
13	4165 84446 00	L-adapt 1/4"	L-union 1/4"
14	4165 93574 00	Rak adapt, 3/8" - 1/4"	Stright union, 3/8"-1/4"
15	4165 92434 00	Rak adapt, 3/8" - 3/8"	Stright union, 3/8" - 3/8"
16	4165 99185 00	Pilotstyrd backventil	Pilot operated checkvalv
17	4165 23468 50	Membranackumulator 1,4l, 5MPa	Membrane accumulator 1,4l, 5MPa
18	4165 80316 00	Gummistålbricka, G1/2	Bonded seal, G1/2
19	4165 92438 00	Rak adapt, 1/2" - 3/8"	Stright union
20	4165 17980 00	Rak adapt, 1/4" - 3/8"	Stright union, 1/4" - 3/8"
21	4165 91077 00	T-adapt	T-Union
22	4165 92226 00	Rak adapt	Stright union
23	4165 77231 00	Rak adapt 1/2" - 1/4"	Stright union
24	4165 74814 00	Handel 1/2"	Quick coupling M, 1/2"
25	4165 85636 00	L-adapt, 1/4"	L-Union, 1/4"
26	4165 96331- 50	Omkastarventil, elstyrd 6/2	Shifter valve, 6/2
27	4165 92939 00	L-Adapt 3/8" - 3/8"	L-Union 3/8" - 3/8"
28	4165 98772 00	Hydraulslang 1/4, L=500	Hydraulic hose 1/4, L= 500
29	4165 93568 00	Hydraulslang, L=1820	Hydraulic hose, L=1820
30	4165 77329 00	Hydraulslang, L=4540	Hydraulic hose, L=4540
31	4165 23588 00	Buntband blå, L=368	Cable tie blue, L=368
32	4165 23586 00	Buntband gul, L=368	Cable tie yellow, L=368
33	4165 23589 00	Buntband svart, L=206	Cable tie black, L=206
34	4165 24477 00	Buntband natur, L=206	Cable tie, L=206
35	4165 93755 50	Ackumulatorfäste, Ø155	Accumulator bracket, Ø155
36	4165 24842 03	Självhäftande list	Self adhesive list
37	4165 23002 00	Dekal: Ackumulator 5MPa, S/GB	Decal: Accumulator 5MPa, S/GB
38	4738 88 70 02	Smörjnippel, CM 6 FZB	Grease nipple, CM 6 FZB
39	4165 12983 01	Gummistålbricka, G1/4"	Bonded seal, G1/4
40	4165 22614 00	Täckplatta 26	Covering plate 26
41	4165 23812 00	Klammerpar, Ø16	Tube clamps, Ø16
42	4165 94290 00	Klammerpar, Ø12,7	Tube clamps, Ø12,7
43	4165 94417 00	Gummistålbricka, G3/8	Bonded seal, G3/8
44	4725 23 94 40	Skruv M6S 6x120 A2-80	Bolt ISO 4014 - M6 x 120
45	4725 23 88 40	Skruv M6S 6x 90 A2-80	Bolt ISO 4014 - M6 x 90
46	4727 65 50 51	Skruv MVBF 12x 90- 8.8 FZB	Bolt ISO 8677-M12x90-8.8 FZB
47	4725 24 49 57	Skruv M6S 8x 16- 8.8 FZV	Bolt ISO 4014 - M8 x 16-8.8
48	4725 53 80 40	Skruv MC6S 6x 50 A2-80	Bolt ISO 4762 M6 x 50 A2-80
49	4725 23 83 40	Skruv M6S 6x 65 A2-80	Bolt ISO 4014 - M6 x 65 A2-80
50	4725 23 79 40	Skruv M6S 6x 45 A2-80	Bolt ISO 4014 - M6 x 45 A2-80

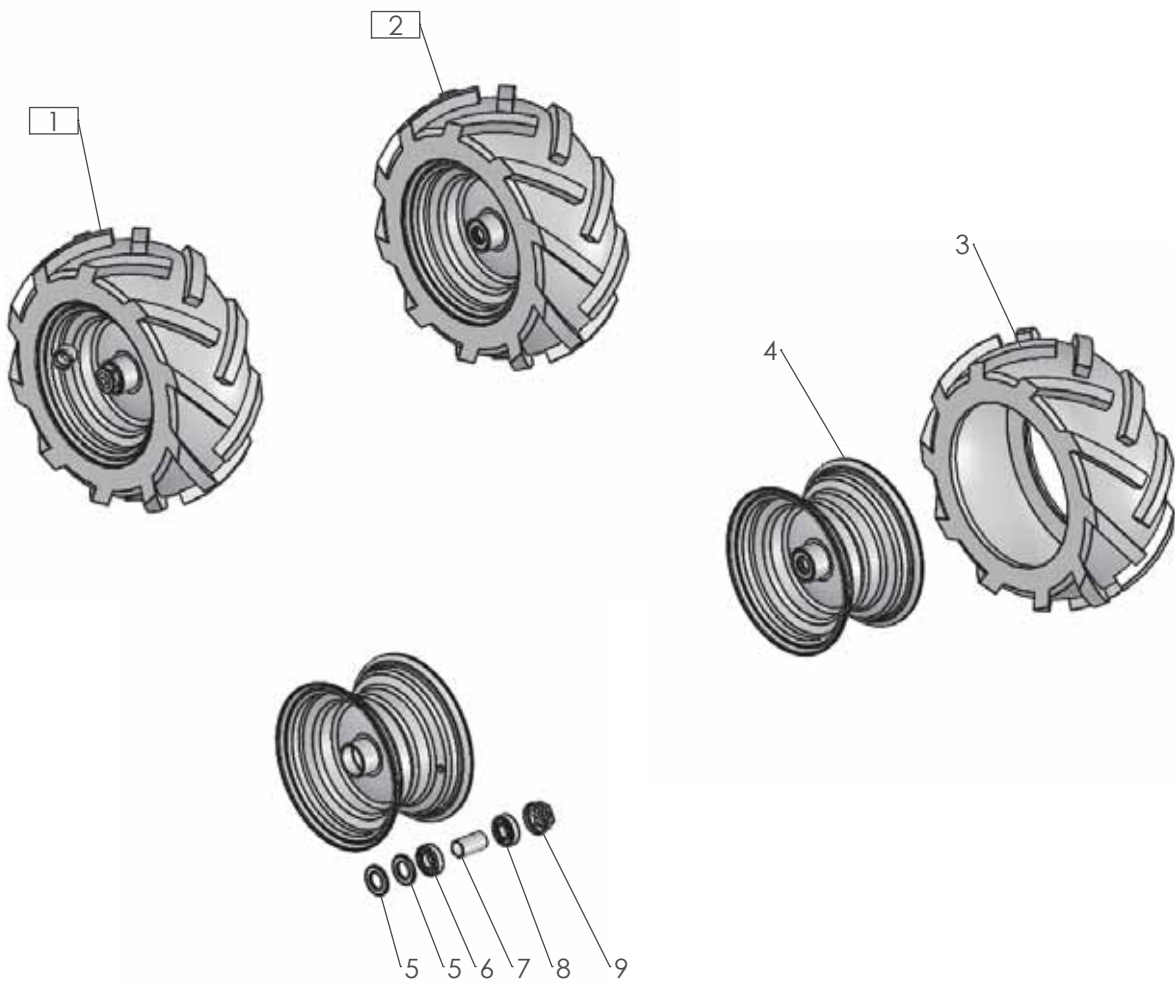


1174

Pos nr/ Ref No	Detalj nr/ Part No	Benämning	Description
1174 Ö2		HYDRAULIK S4824	HYDRAULIC S4824
51	4725 23 76 40	Skruv M6S 6x 35 A2-80	Bolt ISO 4014 - M6 x 35 A2-80
52	4734 11 53 09	Bricka BRB 6,4x 12 A2	Washer ISO 7089 - 6
53	4734 11 64 07	Bricka BRB 8,4x 16 FZV	Washer ISO 7089 - 8
54	4731 23 16 40	Mutter M6M 6 A2-80	Hexagon Nut ISO - 4032 - M6 A2-80
55	4731 23 22 40	Mutter M6M 12 A2-80	Nut ISO - 4032 - M12 A2-80
56	4732 21 16 90	Mutter M6M 6 NF A2-80	Nut DIN 985 - M6
57	4165 84096 00	Kulventil, ISO-G1/4	Ball valve, ISO-G1/4
58	4165 22110 00	Hydraulslang 1/4, L=800	Hydraulic hose 1/4, L=800
59	4165 92466 00	Hydraulslang, L=500	Hydraulic hose, L=500
60	4165 77234 00	Hydraulslang, L=1540	Hydraulic hose, L=1540
61	4165 14632 00	Hydraulslang, L=1900	Hydraulic hose, L=1900
62	4165 78576 00	Hydraulslang, L=8100	Hydraulic hose, L=8100
63	4165 16612 40	Hydraulslang 1/4, L=4700	Hydraulic hose 1/4, L=4700
64	4165 16606 60	Hydraulslang 1/4, L=3900	Hydraulic hose 1/4, L=3900
65	4165 93968 00	T-adapt	T-Union
66	4165 96331 50	Omkastarventil, elstyrd 6/2	Shifter valve, 6/2
67	4165 25485 00	Hydraulslang, L=7400	Hydraulic hose, L=7400
68	4165 92691 00	Hydraulslang, L=4040	Hydraulic hose, L=4040
69	4165 99970 00	Hydraulslang 3/8, L=3900	Hydraulic hose 3/8, L=3900
70	4165 31501 00	Klammerpar, Ø18	Tube clamps, Ø18
71	4725 23 84 40	Skruv M6S 6x 70 A2-80	Bolt ISO 4014 - M6 x 70 A2-80



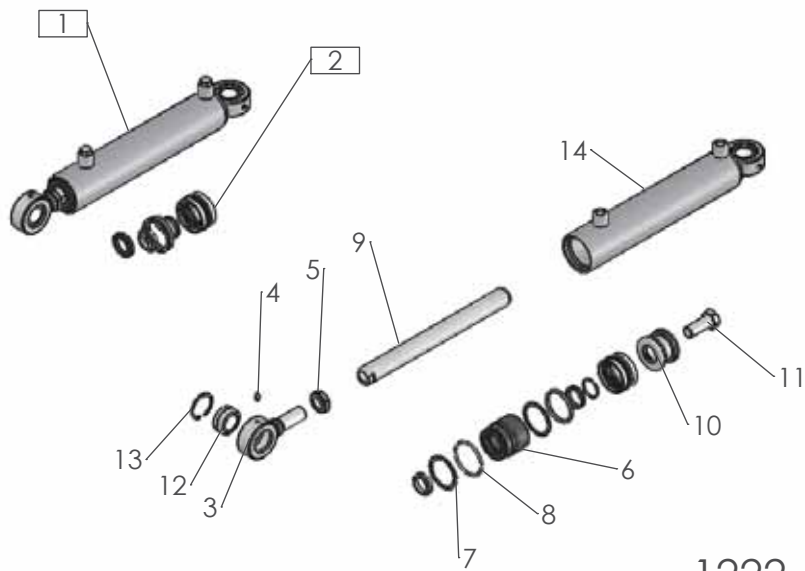
1062



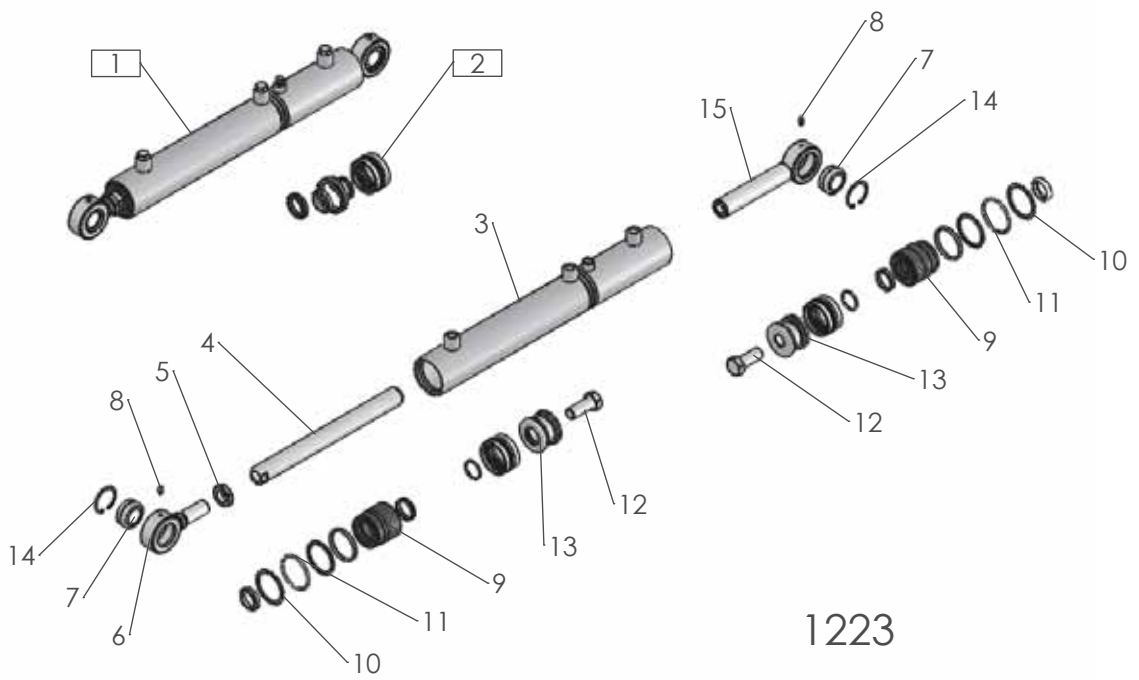
1073

Pos nr/ Ref No	Detalj nr/ Part No	Benämning	Description
1062 Ö		HYDRAULCYLINDER, MELLANPACKER	HYDRAULIC CYLINDER, INTERMEDIATE PACKER
1	4165 14193 00	Hydraulicylinder DV, Ø40/25x200	Hydraulic cylinder DA, Ø40/25x200
2	4165 29023 50	Cylinderrör Ø40/50 kpl	Cylinder jacket Ø40/50 compl
3	4165 30477 00	Kolv, Ø40/25	Piston, Ø40/25
4	4165 29024 00	Kolvstång, Ø25x310,5	Piston rod, Ø25x310,5
5	4165 29025 00	Öra, Justerbart	Ear, adjustable
6	4165 29026 00	Hylsa, Ø25,1/36x32	Sleeve, Ø25,1/36x32
7	4725 25 38 51	Skruv M6S 12x 35- 8.8 FZB	Bolt ISO 4014 - M12 x 35-8.8 FZB
8	4165 29034 00	Mutter ML6M 18x1,5-4 FZB	Nut ML6M 18x1,5-4 FZB
9	4165 24986 00	Styrning, Ø40/25	Guide, Ø40/25
10	4165 86405 01	Ledlager, Ø25	Spherical plain bearing, Ø25
11	4735 31 38 11	Spårring SgH 42 FZB	Circlip DIN 472 - 42 x 1.75
12	4738 88 10 01	Smörjnippel, AH M6 FZB	Grease nipple, AH M6 FZB
13	4165 18608 00	Packningssats 3	Sealing kit 3

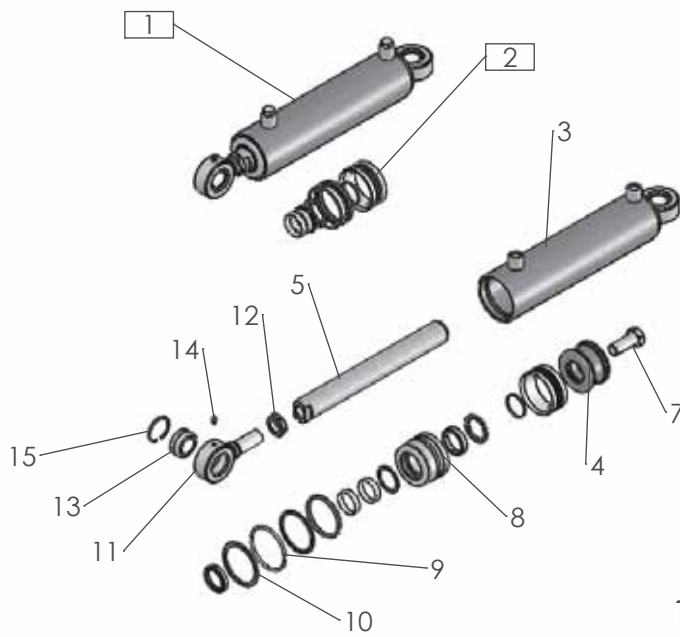
Pos nr/ Ref No	Detalj nr/ Part No	Benämning	Description
1073 Ö		PACKER- OCH STABILISERINGSHJUL	PACKER AND STABILIZATION WHEELS
1	4165 21227 52	Hjul kompl 23x8.50-12 PR4	Wheel 23x8.50-12 PR4
2	4165 21227 51	Hjul kompl 23x8.50-12 PR4	Wheel 23x8.50-12 PR4
3	4165 21229 00	Däck 23x8.50-12 PR4	Tyre 23x8.50-12 PR4
4	4165 21226 50	Fälg med nav 7.00x12	Rim with hub 7.00x12
5	4165 93473 00	Z-lamell, Z 007	Z-lamell, Z 007
6	4738 22 06 19	Kullager 6206-2RS1	Ballbearing 6206-2RS1
7	4165 93470 00	Hylsa, Ø31/35x64,2	Sleeve, Ø31/35x64,2
8	4738 23 05 34	Kullager 6305-2RS1	Ballbearing, 6305-2RS1
9	4165 93469 00	Navkapsel Hadsten nr 928	Hub cap Hadsten no 928



1222



1223



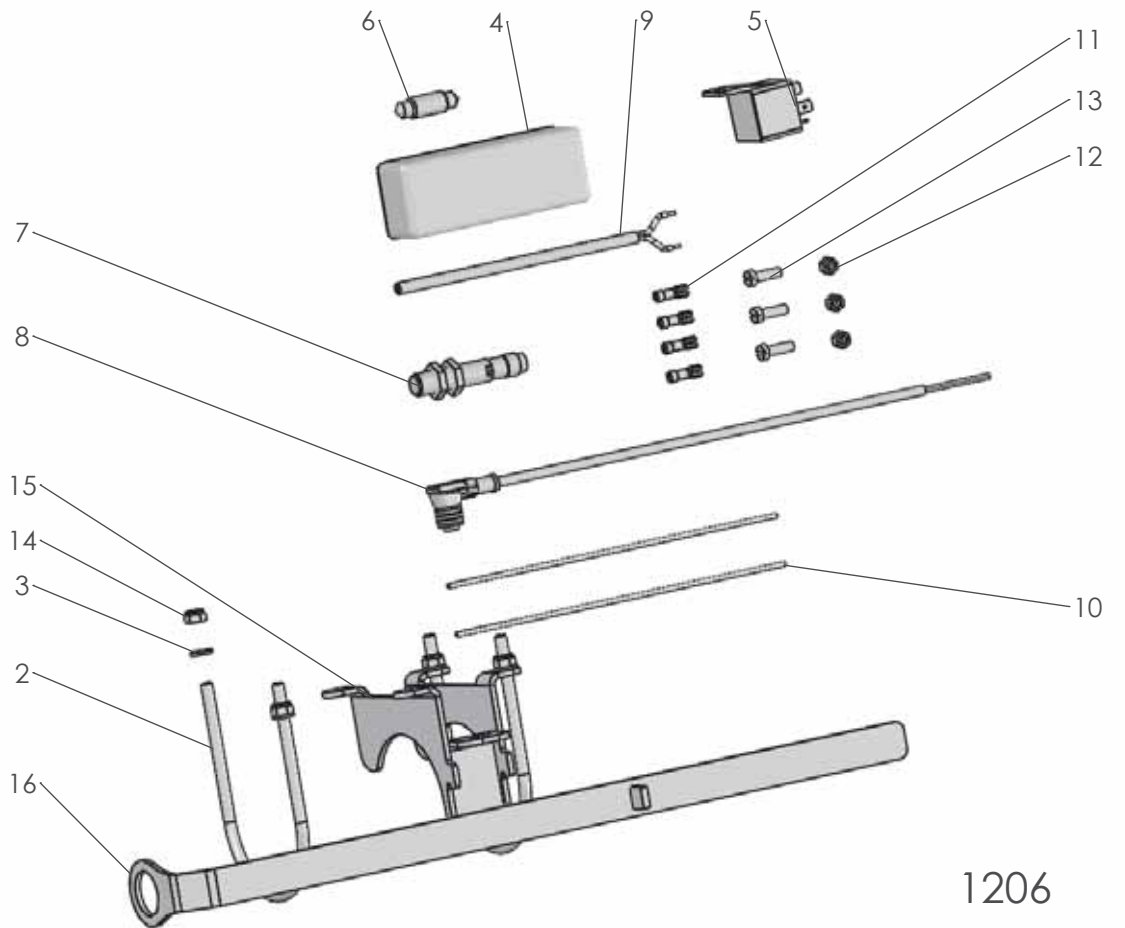
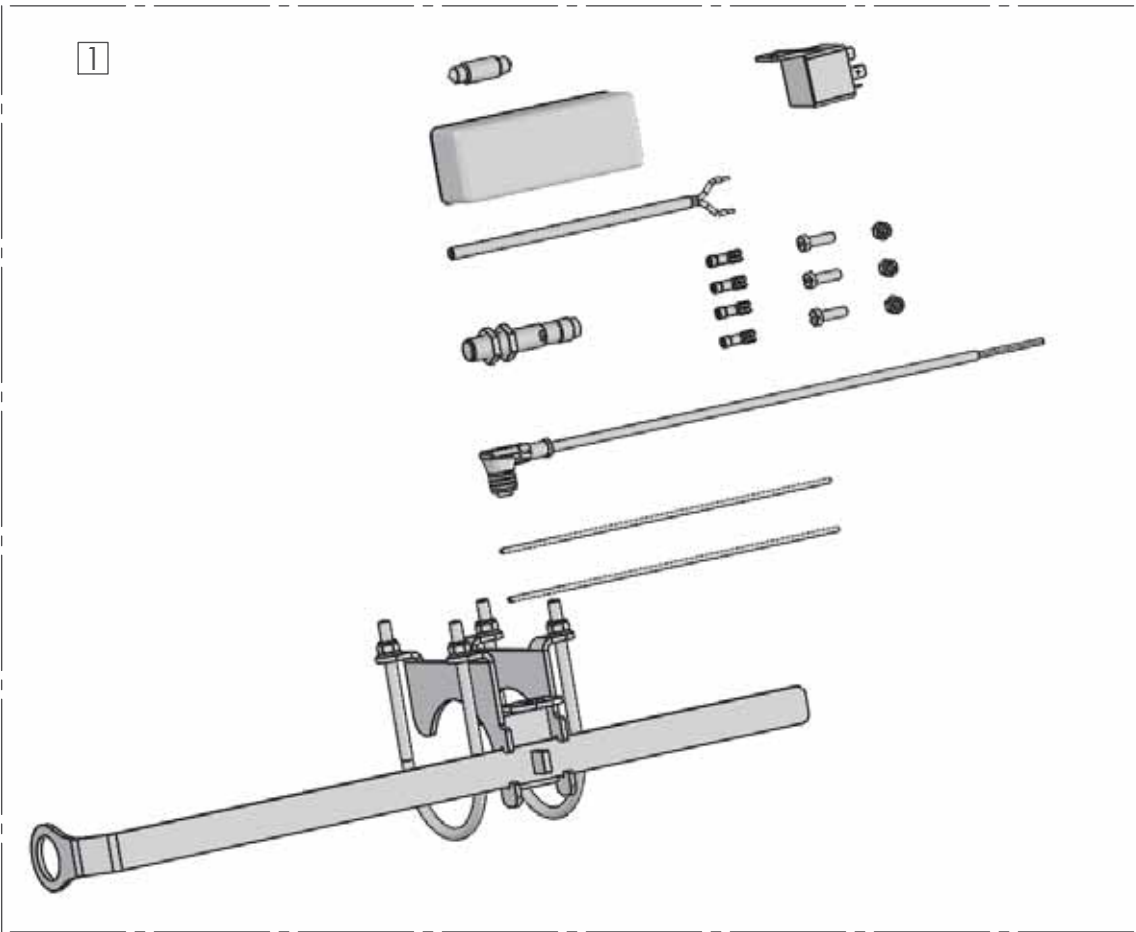
1224

Pos nr/ Ref No	Detalj nr/ Part No	Benämning	Description
1222 Ö		HYDRAULCYLINDER TILT VINKEL S4818/4824	HYDRAULIC CYLINDER TILT ANGEL S4818/4824
1	4165 22080 50	Hydraulcylinder DV, Ø63/32x245	Hydraulic cylinder DA, Ø63/32x245
2	4165 86984 00	Packningssats, cyl Ø63/32	Kit of seals, cyl Ø63/32
3	4165 95826 00	Länkände, M24x2	Pistong rod end
4	4738 88 10 01	Smörjnippel, AH M6 FZB	Grease nipple, AH M6 FZB
5	4165 95828 00	Mutter, ML6M 24x2 FZB	Nut, ML6M 24x2 FZB
6	4165 86558 00	Styrning, Ø63/32	Guide, Ø63/32
7	4735 31 46 61	Spårring AV 58 FZB	Retaining ring AV 58 FZB
8	4165 86550 00	Låsringshalvor för cyl Ø63	Locking halves for cyl Ø63
9	4165 95825 00	Kolvstång, Ø32x343	Piston rod, Ø32x343
10	4165 86556 00	Kolv, Ø63	Piston, Ø63
11	4725 26 74 51	Skruv M6S 20x 50- 8.8 FZB	Bolt ISO 4014 - M20 x 50-8.8 FZB
12	4165 86405 02	Ledlager, Ø30	Spherical plain bearing, Ø30
13	4735 31 40 11	Spårring SgH 47 FZB	Circlip DIN 472 - 47 x 1.75
14	4165 22476 50	Cylinderrör Ø63/73, kompl	Cylinder jacket Ø63/73, compl

Pos nr/ Ref No	Detalj nr/ Part No	Benämning	Description
1223 Ö		HYDRAULCYLINDER PILVINKEL S4818/4824	HYDRAULIC CYLINDER ARROW ANGEL S4818/4824
1	4165 22560 50	Hydraulcylinder DDV, Ø63/32	Hydraulic cylinder DDA, Ø63/32
2	4165 86984 00	Packningssats, cyl Ø63/32	Kit of seals, cyl Ø63/32
3	4165 22559 50	Cylinderrör, dubbelt Ø63/73	Cylinder jacket, double Ø63/73
4	4165 95825 00	Kolvstång, Ø32x343	Piston rod, Ø32x343
5	4165 95828 00	Mutter, ML6M 24x2 FZB	Nut, ML6M 24x2 FZB
6	4165 95826 00	Länkände, M24x2	Pistong rod end
7	4165 86405 02	Ledlager, Ø30	Spherical plain bearing, Ø30
8	4738 88 10 01	Smörjnippel, AH M6 FZB	Grease nipple, AH M6 FZB
9	4165 86558 00	Styrning, Ø63/32	Guide, Ø63/32
10	4735 31 46 61	Spårring AV 58 FZB	Retaining ring AV 58 FZB
11	4165 86550 00	Låsringshalvor för cyl Ø63	Locking halves for cyl Ø63
12	4725 26 74 51	Skruv M6S 20x 50- 8.8 FZB	Bolt ISO 4014 - M20 x 50-8.8 FZB
13	4165 86556 00	Kolv, Ø63	Piston, Ø63
14	4735 31 40 11	Spårring SgH 47 FZB	Circlip DIN 472 - 47 x 1.75
15	4165 22562 50	Kolvstång Ø32, kompl	Piston rod Ø32, compl

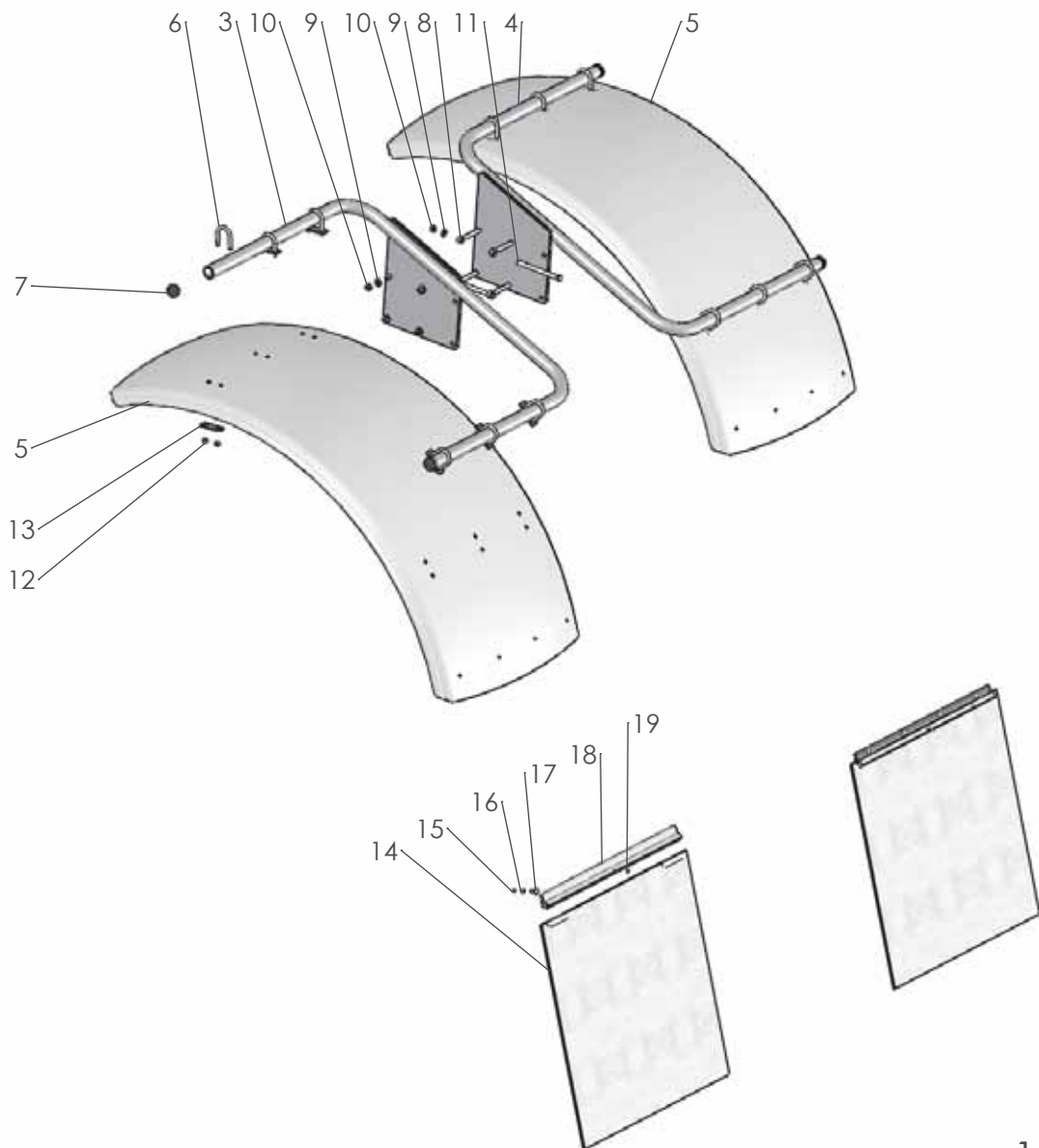
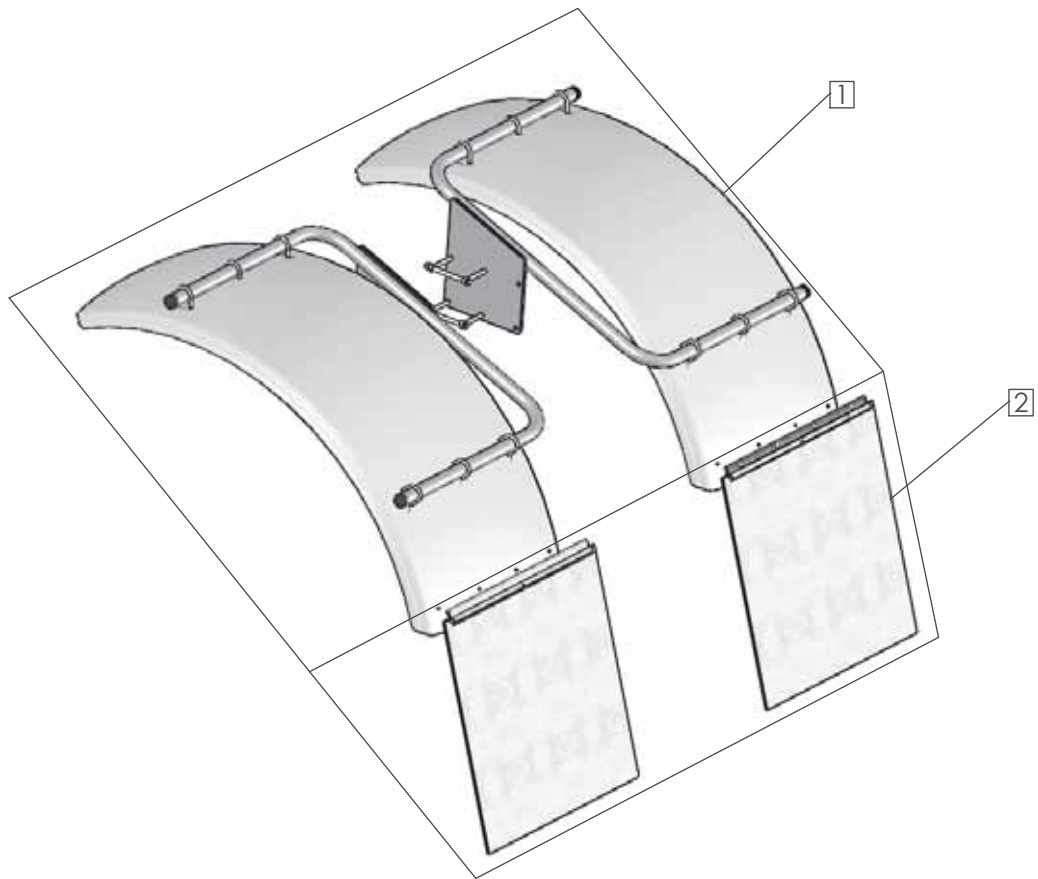
Pos nr/ Ref No	Detalj nr/ Part No	Benämning	Description
1224 Ö		HYDRAULCYLINDER IHOPFÄLLNING S4818/4824	HYDRAULIC CYLINDER FOLDING S4818/4824
1	4165 23550 50	Hydraulcylinder DV, Ø80/40x245	Hydraulic cylinder DA, Ø80/40x245
2	4165 93810 00	Packningssats till cylinder, Ø80/40	Sealing kit for cylinder, Ø80/40
3	4165 23551 50	Cylinderrör Ø80/90, komplett	Cylinder tube Ø80/90, cpl
4	4165 93805 00	Kolv, Ø80/40	Piston, Ø80/40
5	4165 23553 00	Kolvstång, Ø40x343	Piston rod, Ø40x343
6	4740 44 12 00	O-ring, OR 39,2x3,0	O-ring, OR 39,2x3,0
7	4725 26 74 51	Skruv M6S 20x 50- 8.8 FZB	Bolt ISO 4014 - M20 x 50-8.8 FZB
8	4165 93806 00	Styrning, Ø80/40	Guide, Ø80/40
9	4165 89206 00	Låsringshalvor för cyl Ø80	Locking ring for cyl Ø80
10	4735 31 54 61	Spårring AV 75 FZB	Retaining ring AV 75 FZB
11	4165 95826 00	Länkände, M24x2	Pistong rod end
12	4165 95828 00	Mutter, ML6M 24x2 FZB	Nut, ML6M 24x2 FZB
13	4165 86405 02	Ledlager, Ø30	Spherical plain bearing, Ø30
14	4738 88 10 01	Smörjnippel, AH M6 FZB	Grease nipple, AH M6 FZB
15	4735 31 40 11	Spårring SgH 47 FZB	Circlip DIN 472 - 47 x 1.75

1

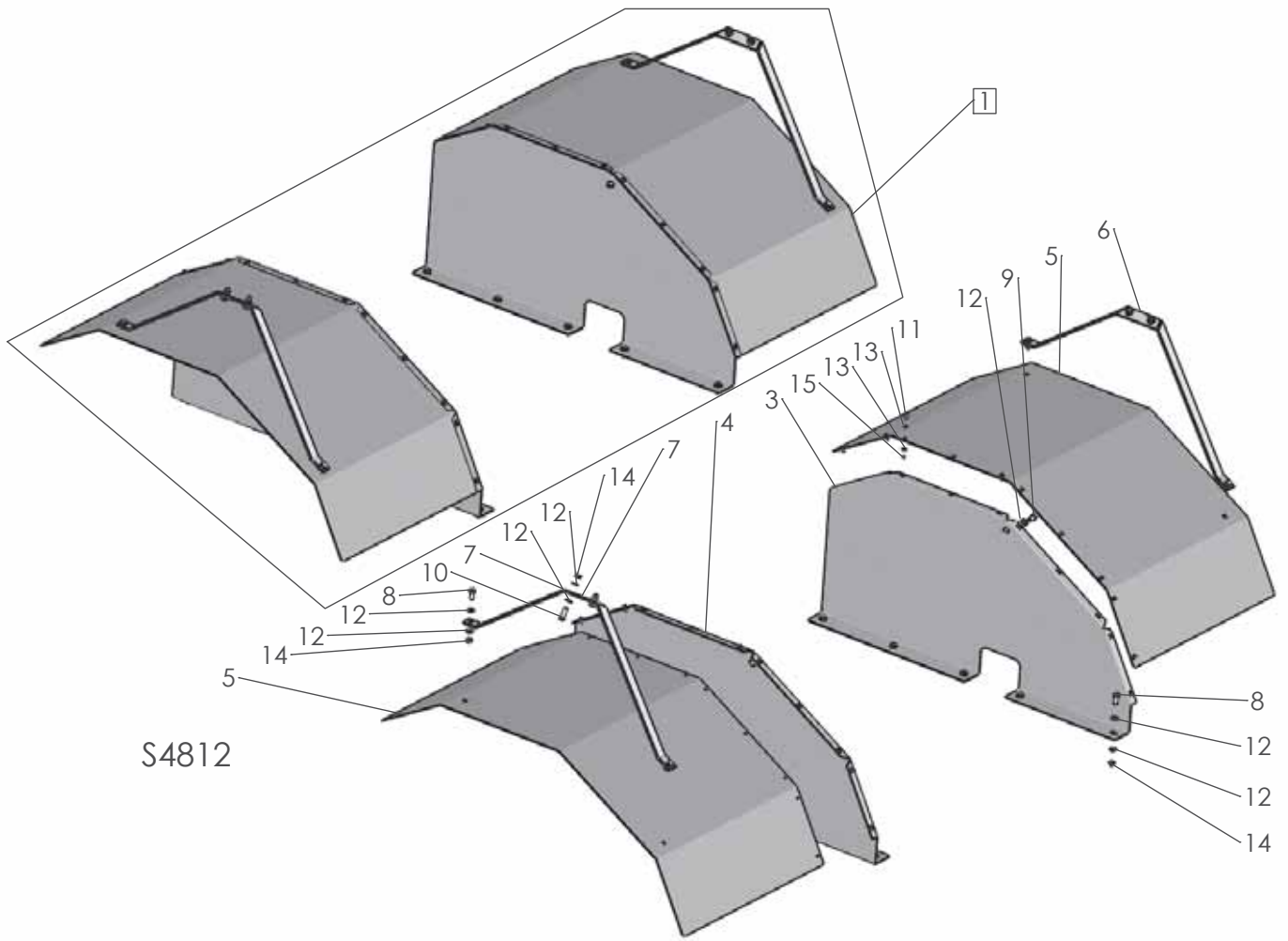


1206

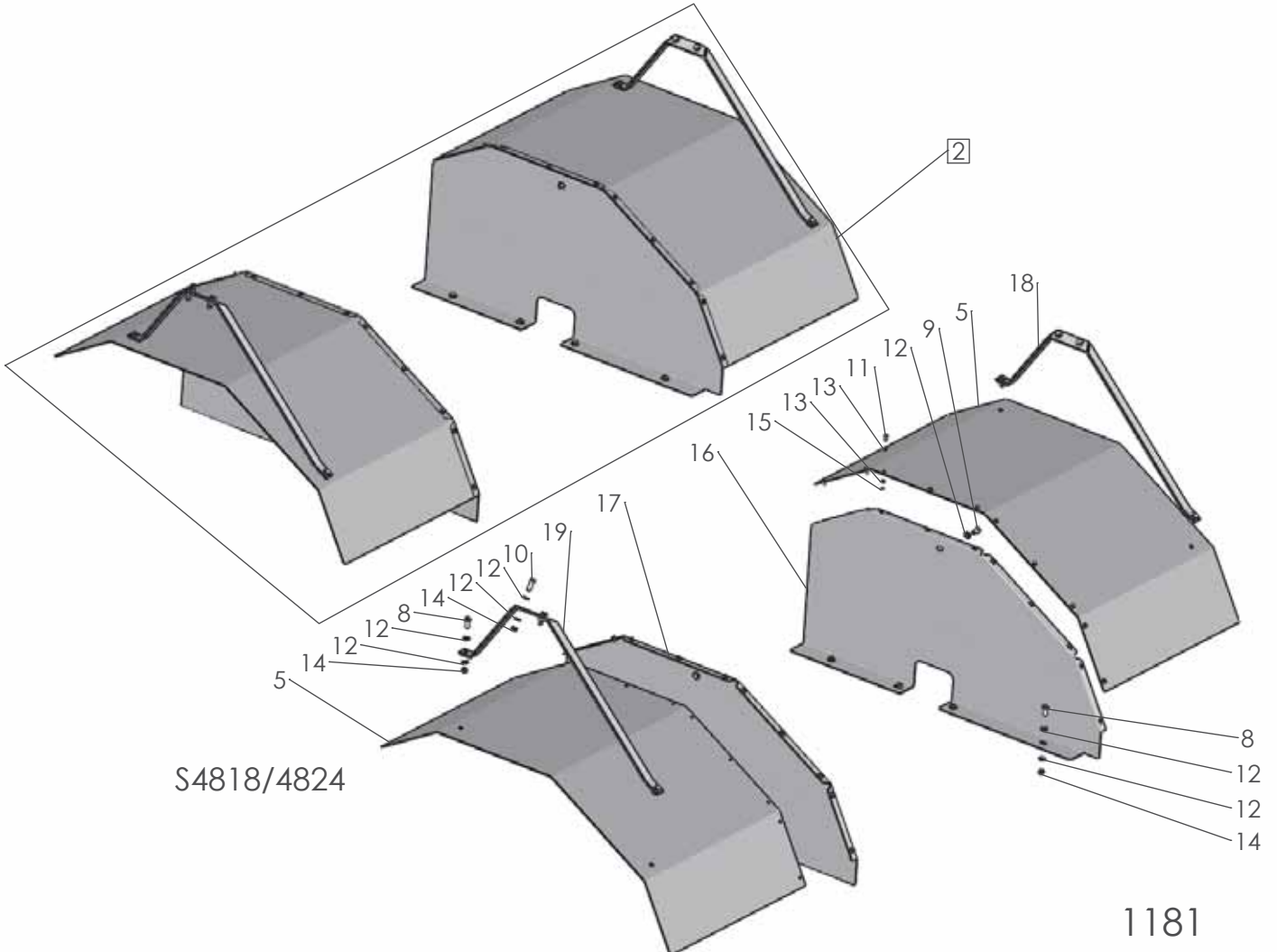
Pos nr/ Ref No	Detalj nr/ Part No	Benämning	Description
1206 Ö		HORISONTALLAGESINDIKATOR, S4818/4824	HORIZONTAL POSITION INDICATOR S4818/4824
1	4165 25981 00	Horisontallägesindikering	Horizontal position indicator
2	4165 25982 00	U-bygel, M6x74x112	U-clamp, M6x74x112
3	4734 11 53 09	Bricka BRB 6,4x 12 A2	Washer ISO 7089 - 6
4	4165 25964 00	Positionslymba, vit	Position lamp, white
5	4165 25966 00	Relä 12V 30A	Relay 12V 30A
6	4165 25498 00	Glödlampa, 5W S 8,5	Bulb, 5W S 8,5
7	4165 25962 00	Induktiv givare (NPN)	Inductive sensor (NPN)
8	4165 25963 00	Givarkabel, L=5000	Sensor cable, L=5000
9	4165 98697 00	Kabel, RKKB 2x1,5x1500	Cable, RKKB 2x1,5x1500
10	4165 20529 00	Kabel RKUB 1x1,5, L=200	Cable RKUB 1x1,5, L=200
11	4165 19338 60	Flatsiftshysla röd, 6,3mm	Receptacle red, 6,3mm
12	4731 23 14 40	Mutter M6M 5 A2-80	Nut ISO - 4032 - M5 A2-80
13	4723 13 29 40	Skruv MCS 5x 16 A2-70	Bolt ISO 1207 - M5 x 16 A2-70
14	4732 21 16 90	Mutter M6M 6 NF A2-80	Nut DIN 985 - M6
15	4165 25983 50	Horisontalgivarfäste	Horizontal sensor bracket
16	4165 25984 50	Styrskena	Guide rail



Pos nr/ Ref No	Detalj nr/ Part No	Benämning	Description
1180 Ö		STÄNKSKÄRMAR FÖR S4812-4824, PLAST Standard chassi & hjul: 600/55-26.5, 800/40-26.5 Högt chassi & hjul: 600/55-26.5, 800/45-30.5, 420/85-34	MUDGUARDS FOR S4812-4824, PLASTIC Standard chassis & wheels: 600/55-26.5, 800/40-26.5 High chassis & wheels: 600/55-26-5, 800/45-30.5, 420/85-34
1	4165 24940 00	Stänkskärmar, spridare	Mud guards, spreader
2	4165 25190 00	Stänkskydd kompl sats	Mudflaps compl kit
3	4165 24938 40	Skärmfäste, vänster	Mudguard bracket, LH
4	4165 24937 40	Skärmfäste, höger	Mudguard bracket, RH
5	4165 24936 00	Stänkskärm, plast	Mudguard, plastic
6	4165 11188 38	U-bygel, M8x35x55	U-clamp, M8x35x55
7	4 165 21450 00	Skyddplugg, Ø35	Protective cap, Ø35
8	4165 23554 00	Länkskruv, M10x110	Eye bolt, M10x110
9	4734 11 73 09	Bricka BRB 10,5x 20 A2	Washer ISO 7089 - 10
10	4732 21 20 90	Mutter M6M 10 NF A2-80	Nut DIN 985- M10 A2-80
11	4725 25 18 57	Skruv M6S 10x140- 8.8 FZV	Bolt ISO 4014 - M10 x 140- 8.8
12	4732 21 18 90	Mutter M6M 8 NF A2-80	Nut DIN 985 - M8 A2
13	4165 24943 00	Dubbelbricka, 70x25x3	Double washer, 70x25x3
14	4165 25182 00	Stänkskydd	Mudguard
15	4731 23 16 40	Mutter M6M 6 A2-80	Hexagon Nut ISO - 4032 - M6 A2-80
16	4734 11 53 09	Bricka BRB 6,4x 12 A2	Washer ISO 7089 - 6
17	4727 63 70 40	Skruv MVBF 6x 20 A2	Bolt ISO 8677-M6x20
18	4165 25189 00	Aluminium profil	Aluminium profile
19	4729 53 44 40	Skruv RTS ST4,2x16 A2	Screw ISO 14585-ST4,2x16 A2



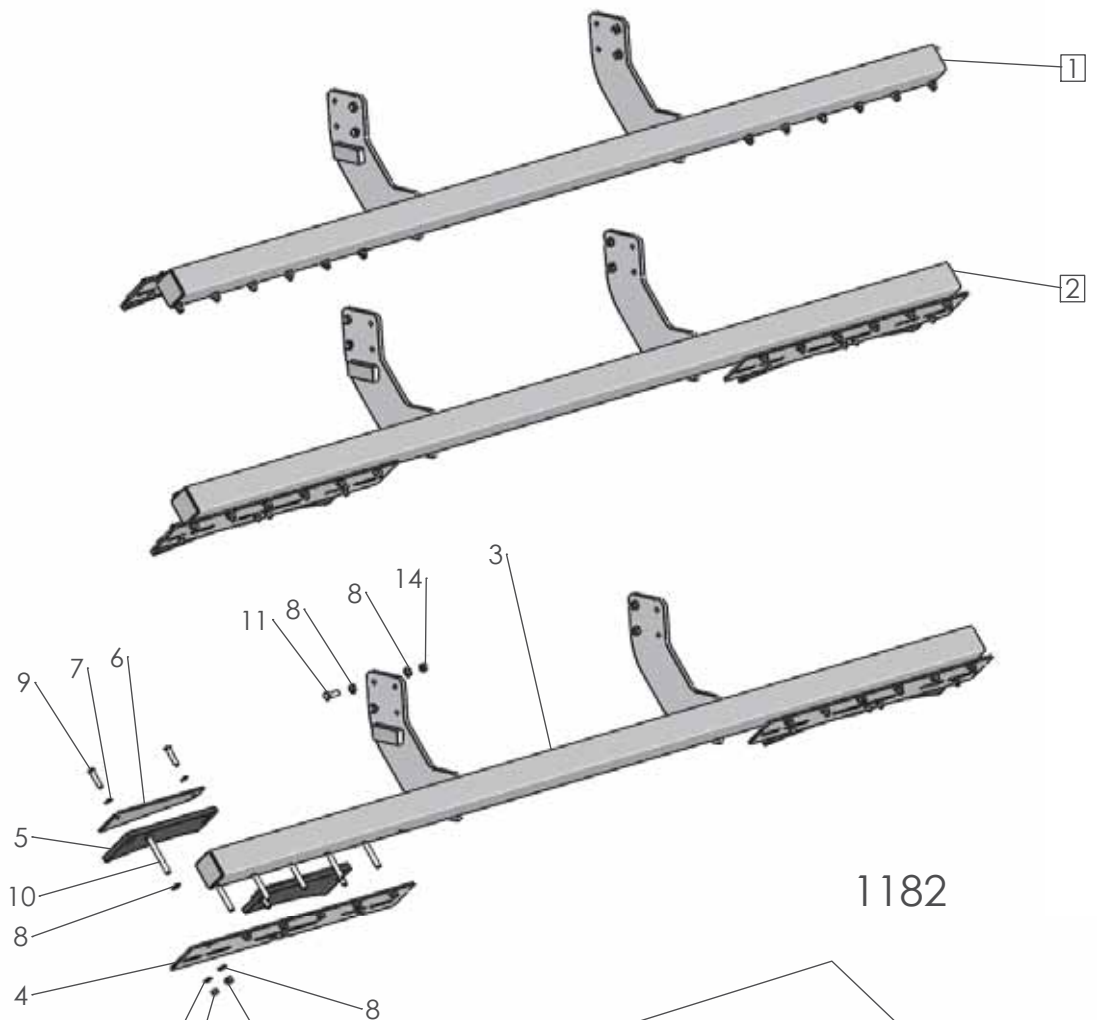
S4812



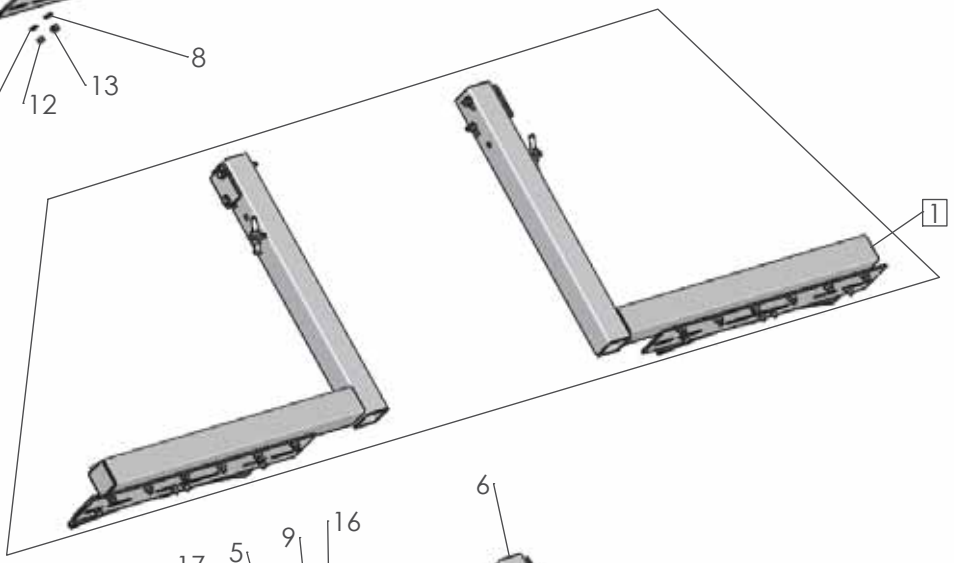
S4818/4824

1181

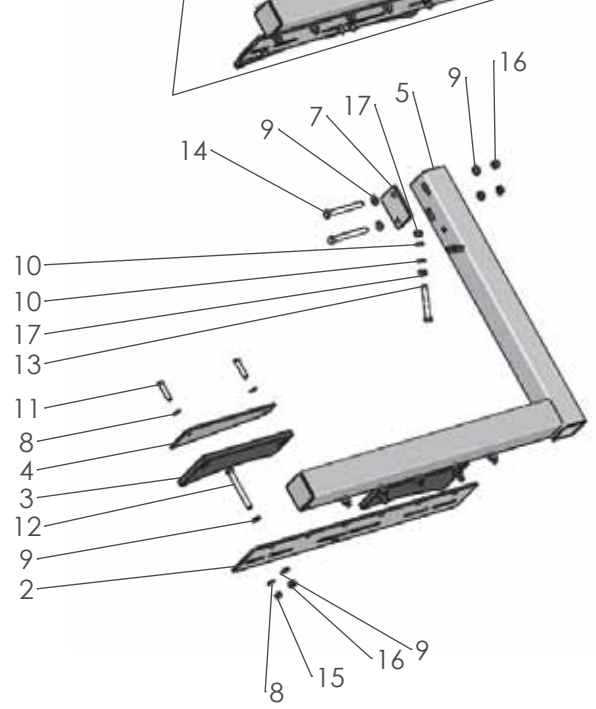
Pos nr/ Ref No	Detalj nr/ Part No	Benämning	Description
1181 Ö		STÄNKSKÄRMAR, PLÅT FÖR HJUL: 600/55-26.5 OCH 800/40-26.5	MUDGUARDS, SHEET METALL FOR WHEEL: 600/55-26.5 AND 800/40-26.5
1	4165 98692 00	Stänkskärmar S4012-4020, standard	Mudguards S4012-4020, standard
2	4165 22950 00	Stänkskärmar S4024, standard	Mudguards S4024, standard
3	4165 98690 40	Sidoplåt, höger	Side plate, RH
4	4165 98761 40	Sidoplåt, vänster	Side plate, LH
5	4165 98691 40	Överplåt, h & v	Upper plate, RH & LH
6	4165 99725 40	Stag stänkskärm, höger	Stay mudguard, RH
7	4165 99724 40	Stag stänkskärm, vänster	Stay mudguard, LH
8	4725 24 93 57	Skruv M6S 10x 25- 8.8 FZV	Bolt ISO 4014 - M10 x 25
9	4725 24 91 57	Skruv M6S 10x 20- 8.8 FZV	Bolt ISO 4014 - M10 x 20
10	4725 24 95 57	Skruv M6S 10x 30- 8.8 FZV	Bolt ISO 4014 - M10 x 30 FZV
11	4725 23 67 40	Skruv M6S 6x 14 A2-80	Bolt ISO 4014 - M6 x 14 A2-80
12	4734 11 73 07	Bricka BRB 10,5x 20 FZV	Washer ISO 7089 - 10
13	4734 11 53 09	Bricka BRB 6,4x 12 A2	Washer ISO 7089 - 6
14	4731 23 20 07	Mutter M6M 10- 8 FZV	Nut ISO - 4032 - M10 FZV
15	4731 23 16 40	Mutter M6M 6 A2-80	Hexagon Nut ISO - 4032 - M6 A2-80
16	4165 22951 40	Sidoplåt, höger	Side plate, RH
17	4165 22952 40	Sidoplåt, vänster	Side plate, LH
18	4165 22953 40	Stag stänkskärm, höger	Stay mudguard, RH
19	4165 22954 40	Stag stänkskärm, vänster	Stay mudguard, LH



1182

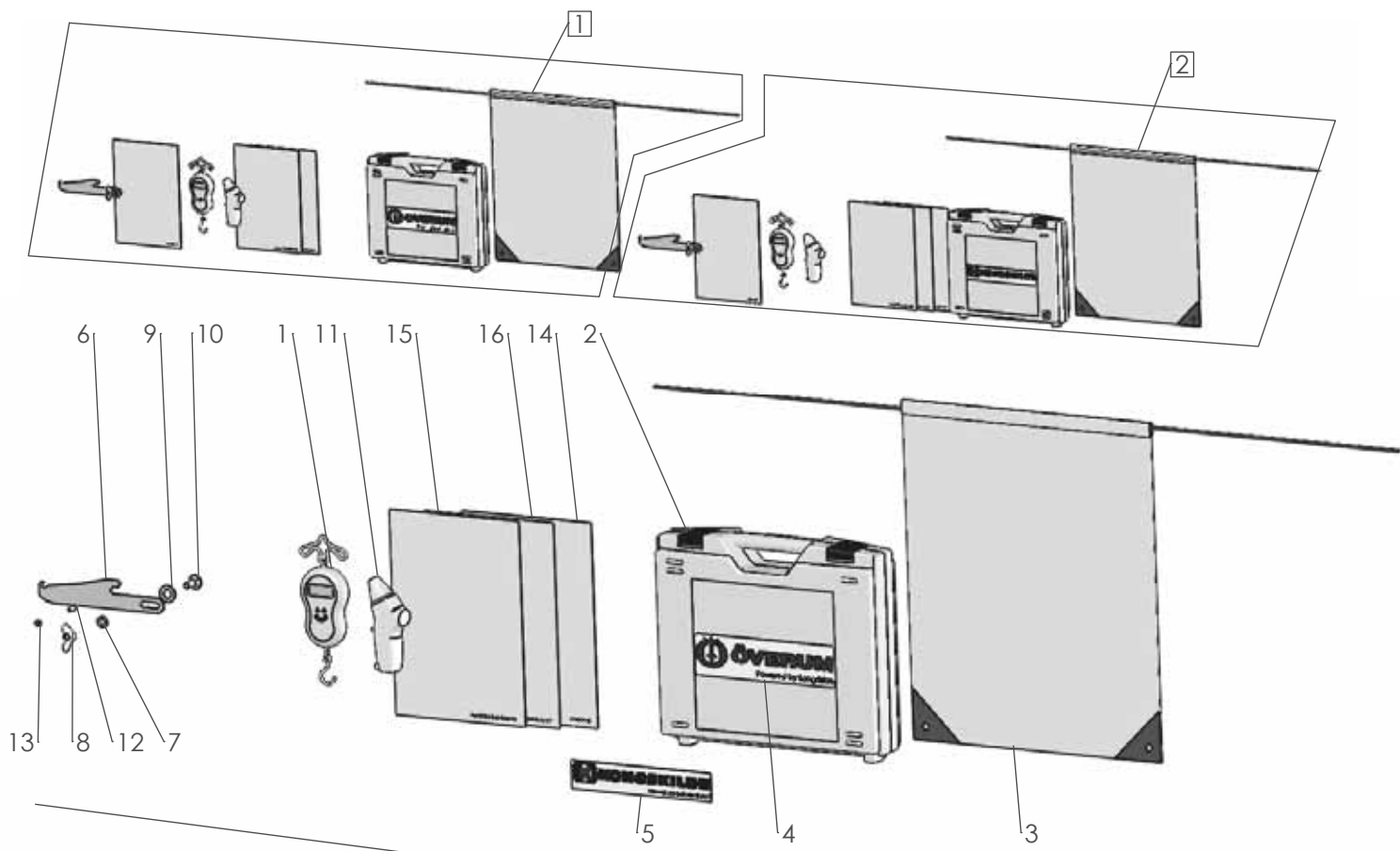


1183

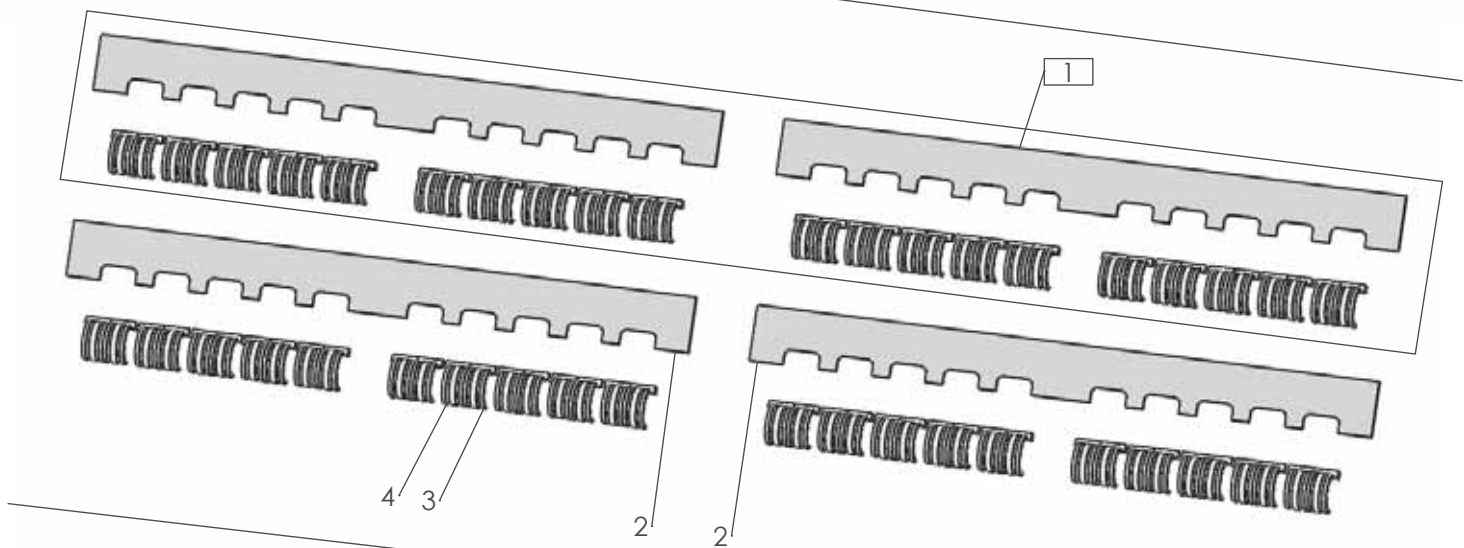


Pos nr/ Ref No	Detalj nr/ Part No	Benämning	Description
1182 Ö		HJULSKRAPA STANDARD CHASSI För hjul: 600/55-26.5, 800/40-26.5	WHEEL SCRAPER STANDARD CHASSIS For wheels: 600/55-26.5, 800/40-26.5
1	4165 22770 01	Hjulskrapa S4812/4820	Wheel scraper S4812/4820
2	4165 22770 02	Hjulskarapa S4818/4824	Wheel scraper S4818/4824
3	4165 22771 30	Hjulskraparbalk, S4012-4024	Wheel scraper beam, S4012-4024
4	4165 98687 30	Tryckskena, lång	Pressure plate, long
5	4165 16716 00	Gummiskrapa	Rubber scraper
6	4165 16718 00	Tryckplatta, sned	Pressure plate
7	4734 11 73 07	Bricka BRB 10,5x 20 FZV	Washer ISO 7089 - 10
8	4734 11 78 07	Bricka BRB 13x 24 FZV	Washer ISO 7089 - 12
9	4725 25 01 57	Skruv M6S 10x 50- 8.8 FZV	Bolt ISO 4014 - M10 x 50
10	4725 25 54 57	Skruv M6S 12x110- 8.8 FZV	Bolt ISO 4014 - M12 x 110-8.8
11	4725 25 38 57	Skruv M6S 12x 35- 8.8 FZV	Bolt ISO 4014 - M12 x 35-8.8
12	4732 21 20 90	Mutter M6M 10 NF A2-80	Nut DIN 985- M10 A2-80
13	4732 21 22 90	Mutter M6M 12 NF A2-80	Nut DIN 985 - M12
14	4731 23 22 07	Mutter M6M 12- 8 FZV	Nut ISO - 4032 - M12 FZV

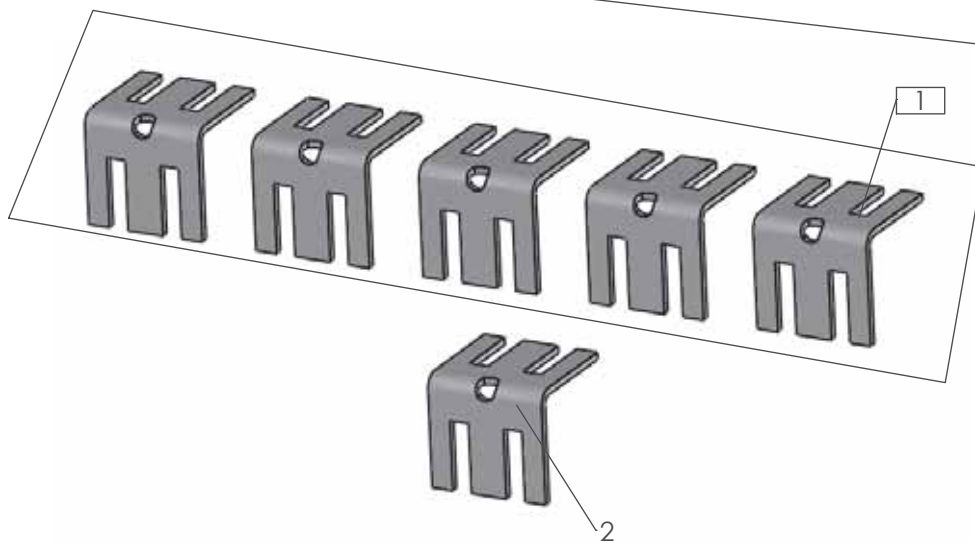
Pos nr/ Ref No	Detalj nr/ Part No	Benämning	Description
1183 Ö		HJULSKRAPA HÖGT CHASSI För hjul: 800/45-30.5, 420/85-34	WHEEL SCRAPER HIGH CHASSIS For wheels: 800/45-30.5, 420/85-34
1	4165 21977 00	Hjulskrapa S4824 högt chassi, kompl	Wheel scraper S4824 high chassie, cpl
2	4165 98687 30	Tryckskena, lång	Pressure plate, long
3	4165 16716 00	Gummiskrapa	Rubber scraper
4	4165 16718 00	Tryckplatta, sned	Pressure plate
5	4165 22496 30	Avskraparbalk, vänster	Scraper beam, LH
6	4165 22495 30	Avskraparbalk, höger	Scraper beam, RH
7	4165 22796 30	Bricka	Washer
8	4734 11 73 07	Bricka BRB 10,5x 20 FZV	Washer ISO 7089 - 10
9	4734 11 78 07	Bricka BRB 13x 24 FZV	Washer ISO 7089 - 12
10	4734 11 78 09	Bricka BRB 13x 24 A2	Washer ISO 7089 - 12
11	4725 25 01 57	Skruv M6S 10x 50- 8.8 FZV	Bolt ISO 4014 - M10 x 50
12	4725 25 54 57	Skruv M6S 12x110- 8.8 FZV	Bolt ISO 4014 - M12 x 110-8.8
13	4725 25 50 45	Skruv M6S 12x 90 A2-80	Bolt ISO 4017-M12x 90 A2-80
14	4725 25 56 57	Skruv M6S 12x120- 8.8 FZV	Bolt ISO 4014- M12 -120
15	4732 21 20 90	Mutter M6M 10 NF A2-80	Nut DIN 985- M10 A2-80
16	4732 21 22 90	Mutter M6M 12 NF A2-80	Nut DIN 985 - M12
17	4731 23 22 40	Mutter M6M 12 A2-80	Nut ISO - 4032 - M12 A2-80



1184



1185



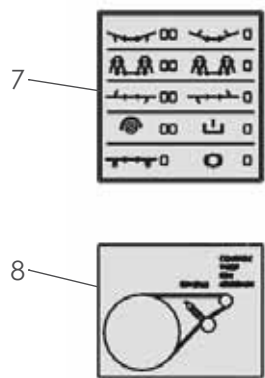
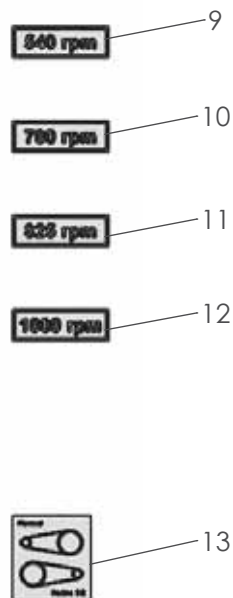
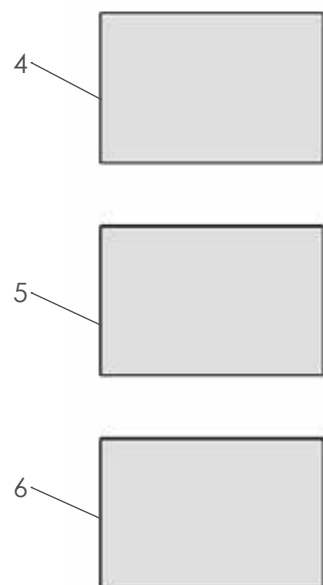
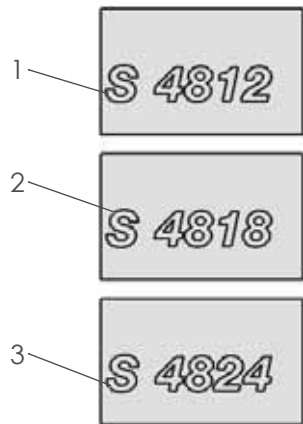
1065

Pos nr/ Ref No	Detalj nr/ Part No	Benämning	Description
1184 Ö		VÅGUTRUSTNING, KOMPLETT	SCALE KIT, COMPLETE
1	4165 31430 02	Vågutrustning S, Överum	Scale kit S, Överum
2	4165 31430 04	Vågutrustning S, Kongskilde	Scale kit S, Kongskilde

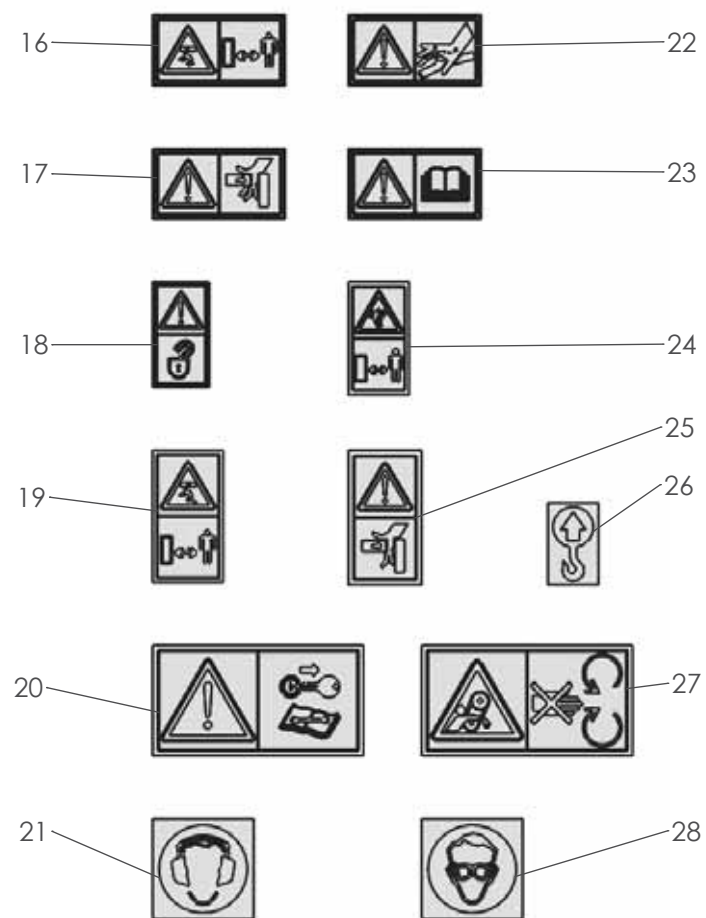
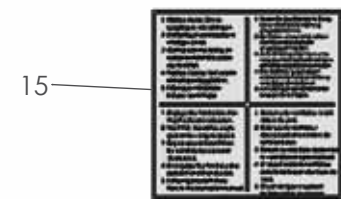
Pos nr/ Ref No	Detalj nr/ Part No	Benämning	Description
1184 Ö		VÅGUTRUSTNING	SCALE KIT
1	4165 30781 00	Hängvåg	Scale
2	4165 31500 00	Vågväska med inredning	Scale case with inlay
3	4165 31509 00	Provtagningsspåse	Callibration bag
4	4165 31512 00	Dekal: ÖVERUM, h=19,5	Decal: ÖVERUM, h=19,5
5	4165 31523 00	Dekal: KONGSKILDE, h=14,2	Decal: KONGSKILDE, h=14,2
6	4165 31502 50	Vågfäste, S&FD	Scale bracket, S&FD
7	4734 11 64 09	Bricka BRB 8,4x 16 A2	Washer ISO 7089- 8 A2
8	4732 41 18 40	Mutter VM 8 A2	Nut DIN 315-M8
9	4734 11 78 09	Bricka BRB 13x 24 A2	Washer ISO 7089 - 12
10	4727 64 53 40	Skruv MVBF 8x 25 A2	Bolt ISO 8677-M8x25
11	4165 33743 00	Lufftrycksmätare	Air pressure gauge
12	4725 23 27 40	Skruv M6S 5x 12 A2-80	Bolt ISO 4014 - M5 x 12 A2-80
13	4731 23 14 40	Mutter M6M 5 A2-80	Nut ISO - 4032 - M5 A2-80
14	4165 31561 00	Monteringsanvisning Vågsats S	Assembly instructions Scale kit S
15	4165 68007 05	Quick Guide S SE	Quick Guide S SE
16	4165 68007 07	Quick Guide S Hydro SE	Quick Guide S Hydro SE

Pos nr/ Ref No	Detalj nr/ Part No	Benämning	Description
1185 Ö		MATARVALSINSATSER	REDUCING INSERTS
1	4165 18848 00	Matarvalsinsatser för microgranulat	Reducing inserts for micro granulate
2	4165 13482 00	Gummiskärm	Rubber screen
3	4165 11163 33	Matarvalsinsats, vänster	Reducing insert, LH
4	4165 11163 32	Matarvalsinsats, höger	Reducing insert, RH

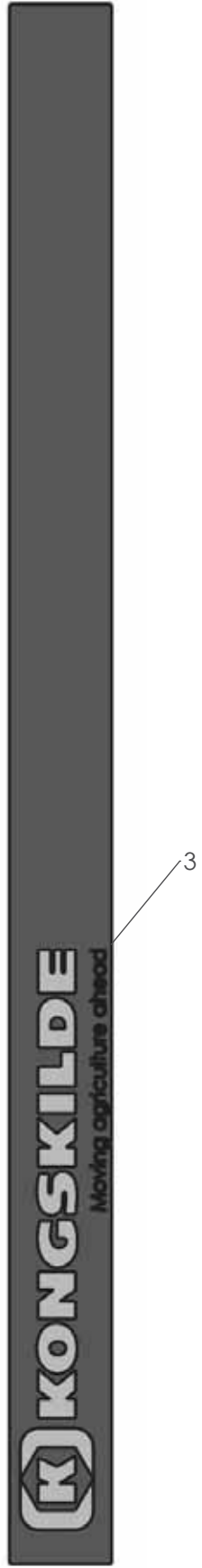
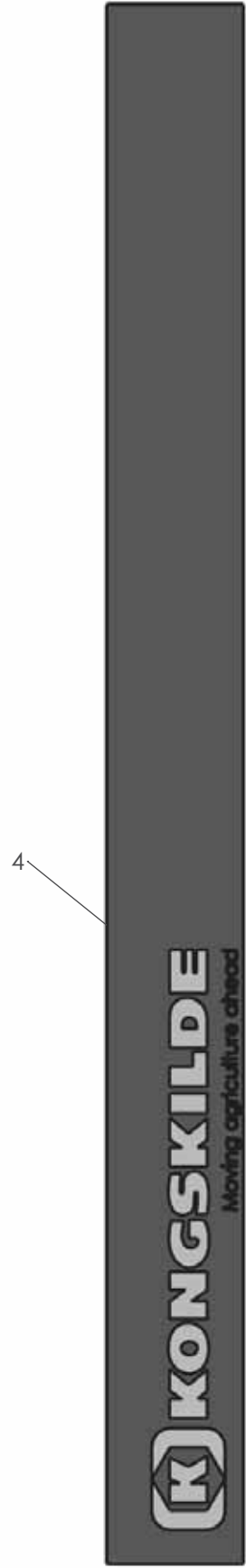
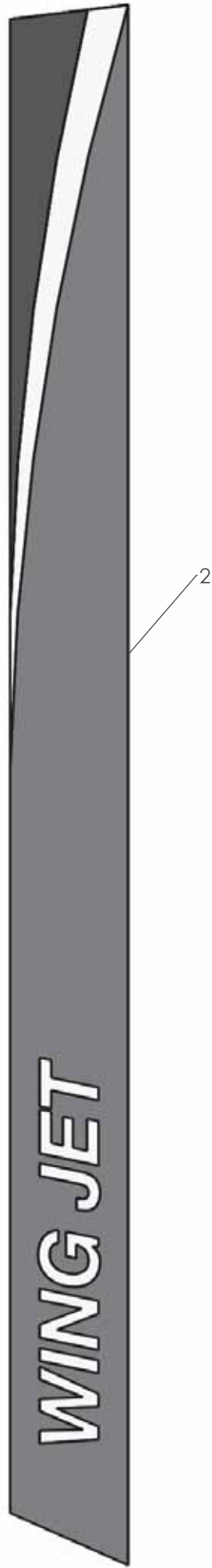
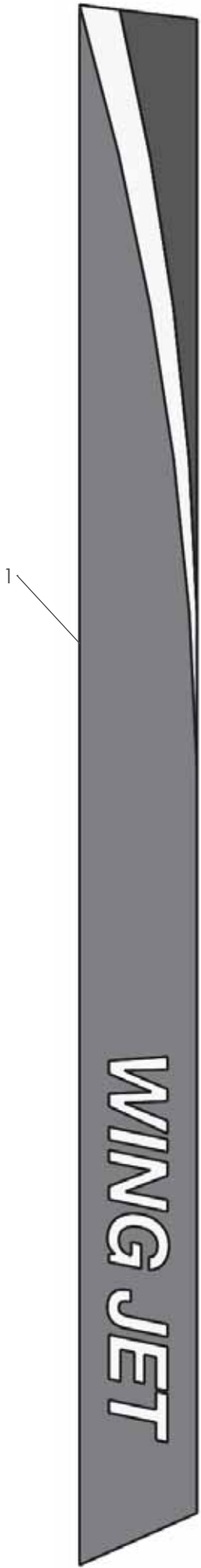
Pos nr/ Ref No	Detalj nr/ Part No	Benämning	Description
1065 Ö		RENSVERKTYG FÖR MATARVALSER	CLEANER FOR FEED ROLLERS
1	4165 11902 28	Rensverktyg, kompl	Cleaning tool, cpl
2	4165 11185 03	Rensplatta	Cleaner plate



14 K-PLUS HYDRO



Pos nr/ Ref No	Detalj nr/ Part No	Benämning	Description
1709 Ö		DEKALER	DECALS
1	4165 35362 00	Dekal: S 4812, h=55	Decal: S 4812, h=55
2	4165 35363 00	Dekal: S 4818, h=55	Decal: S 4818, h=55
3	4165 35365 00	Dekal: S 4824, h=55	Decal: S 4824, h=55
4	4165 25375 00	Dekal: Maxbelastning däck S4012	Decal: Max load tyres S4012
5	4165 25376 00	Dekal: Maxbelastning däck S4020	Decal: Max load tyres S4020
6	4165 25377 00	Dekal: Maxbelastning däck S4024	Decal: Max load tyres S4024
7	4165 33398 00	Dekal: Färgmärkning S -14	Decal: Colour marking S -14
8	4165 17154 00	Dekal: Kilremsjustering	Decal: Belt adjustment
9	4165 17120 00	Dekal: 540 rpm	Decal: 540 rpm
10	4165 99988 00	Dekal: 700 rpm	Decal: 700 rpm
11	4165 20649 00	Dekal: 825 rpm	Decal: 825 rpm
12	4165 17124 00	Dekal: 1000 rpm	Decal: 1000 rpm
13	4165 33533 00	Dekal: Reduktionsväxel 1:2	Decal: Reduction gear 1:2
14	4165 34057 00	Dekal: K-PLUS HYDRO, h=42	Decal: K-PLUS HYDRO, h=42
15	4165 14930 00	Dekal: Startinstruktion	Decal: Start instuction
16	4165 98301 00	Dekal: Arbetsområde	Decal: Stay a safe distance from the machine
17	4165 25073 00	Dekal: Varning klämrisk	Decal: Warning risk of crushing
18	4165 99104 00	Dekal: Transportlås	Sticker: Transport locking
19	4165 33469 00	Dekal: Varning Arbetsområde	Decal: Warning Work area
20	4165 33479 00	Dekal: Varning Stäng av motor	Decal: Warning Shut off engine
21	4165 33466 00	Dekal: Hörselskydd måste användas	Decal: Ear protection must be used
22	4165 98300 00	Dekal: Högt oljetryck	Decal: High pressure fluid-injection into body
23	4165 99101 00	Dekal: Läs instruktionsboken	Decal: Read instruction manual
24	4165 33472 00	Dekal: Varning Fjäderbelastade delar	Decal: Warning Lever is spring loaded
25	4165 33467 00	Dekal: Varning Klämrisk	Decal: Warning Risk of crushing
26	4165 95076 00	Dekal: Lyftpunkt	Decal: Lifting point
27	4165 33465 00	Dekal: Varning rem/kedje transmission	Decal: Warning belt/chain drive
28	4165 33520 00	Dekal: Ögonskydd måste användas	Decal: Eye protection must be used
29	4165 25412 00	Dekal: 25 km/h	Decal: 25 km/h
30	4165 33354 00	Dekal: 25km/h FR	Decal: 25km/h FR
31	4165 97077 00	Reflex	Reflex



1711

Pos nr/ Ref No	Detalj nr/ Part No	Benämning	Description
1711 KK	35282	DEKALER	DECALS
1	4165 35283 00	Dekal: WING JET, vänster	Decal: WING JET, LH
2	4165 35287 00	Dekal: WING JET, höger	Decal: WING JET, RH
3	4165 35368 00	Dekal: KONGSKILDE, h=55 (bak)	Decal: KONGSKILDE, h=55 (rear)
4	4165 35367 00	Dekal: KONGSKILDE, h=55 (front)	Decal: KONGSKILDE, h=55 (front)

4165 68010 58 – 2019-01-10

You can always find the latest version of the manuals at www.kongskilde.com