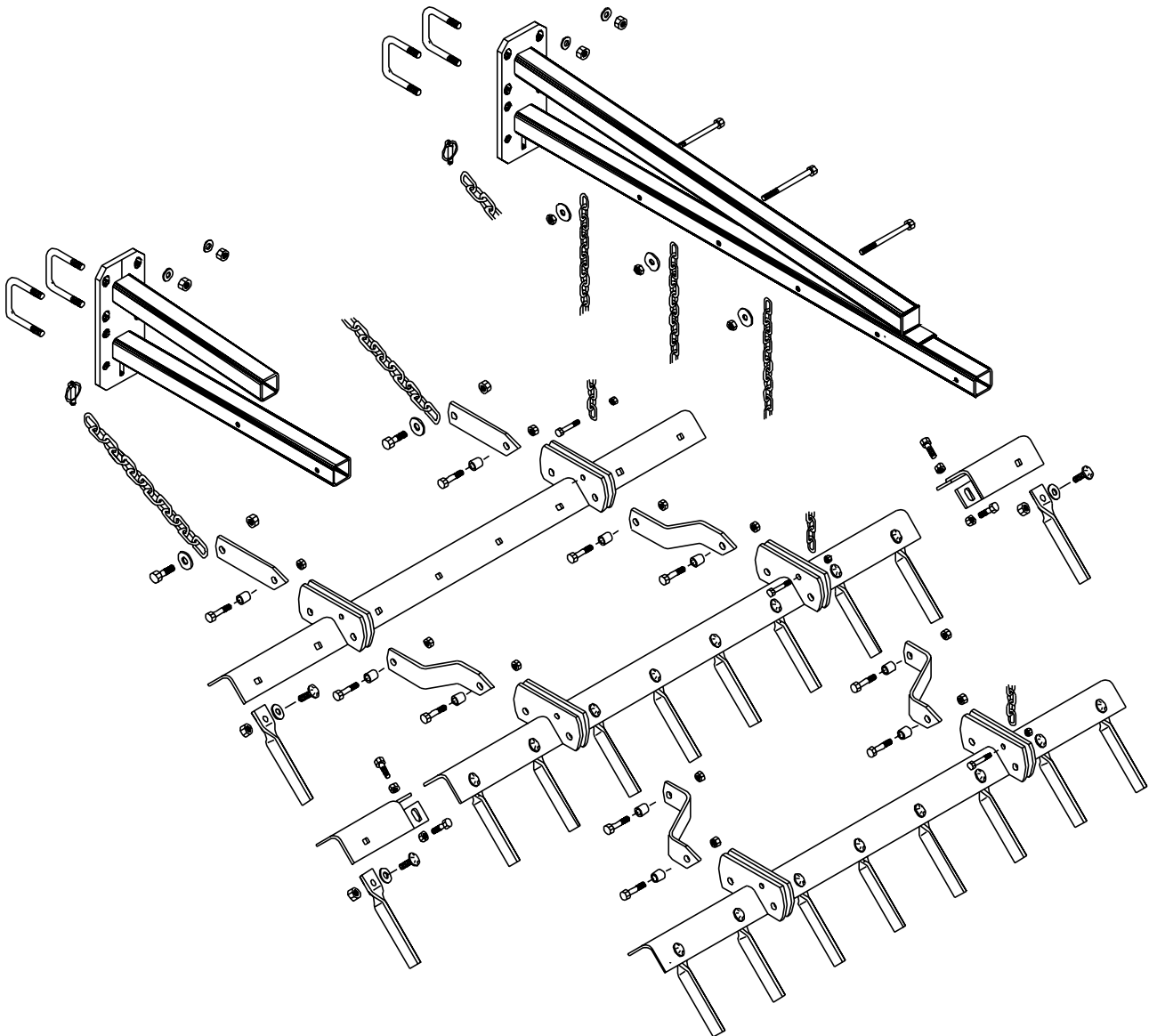


300DSPK Harrows

Flex Drag Spike Harrows

Kongskilde
300 DSPK



SPARE PARTS LIST

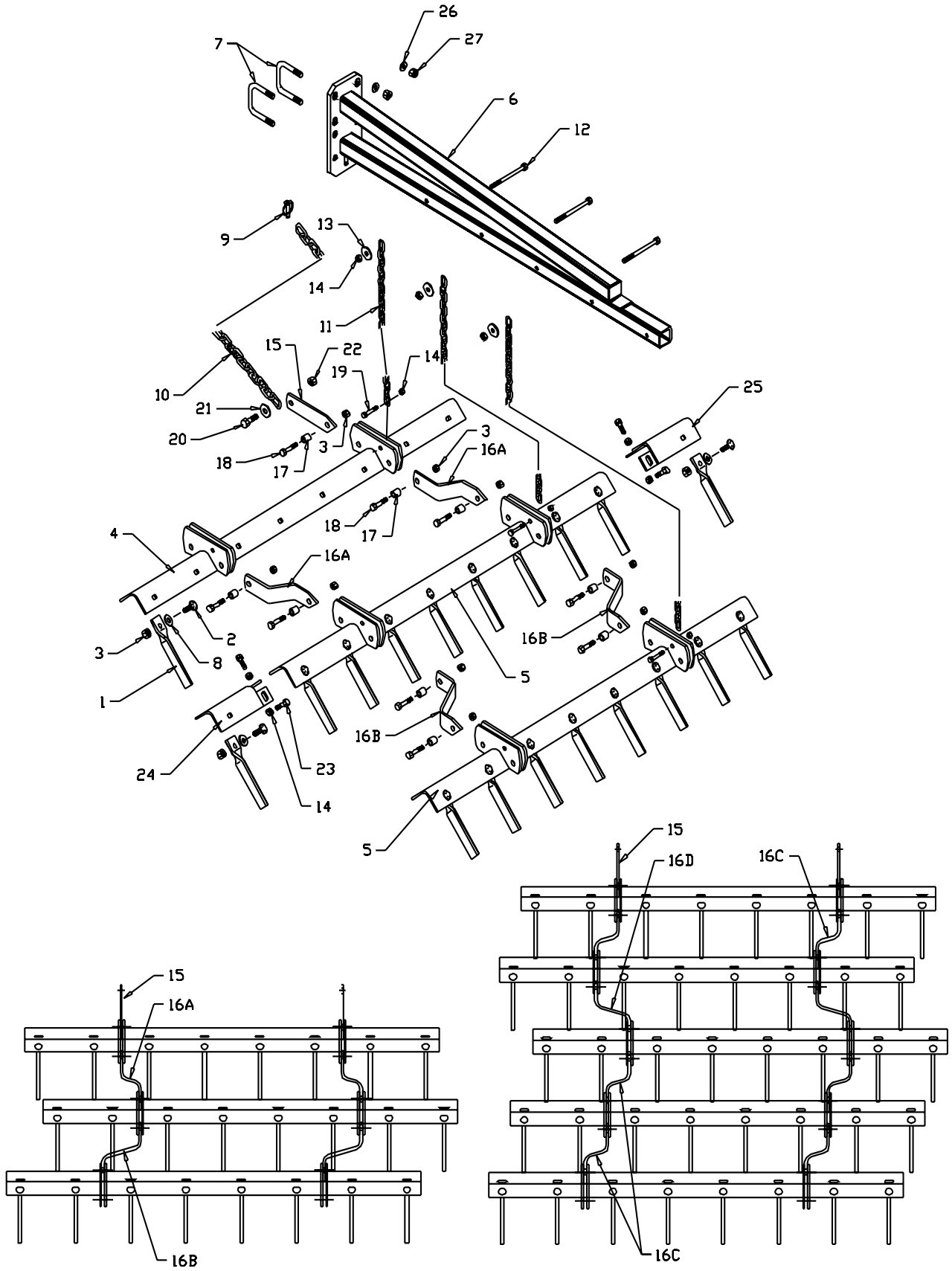


Fig.	Part no.	Description
1	602-060-100	Drag Spike
2	600-361-036	Carriage Bolt 1/2" - 13 x 1-1/2"
3	600-366-005	Locknut 1/2"
4	602-060-101	Harrow Bar Weldment 700 mm - 4 Spike
	760 052 002	Harrow Bar Weldment 900 mm - 5 Spike
	602-060-102	Harrow Bar Weldment 1100 mm - 6 Spike
	602-060-103	Harrow Bar Weldment 1300 mm - 7 Spike
	602-060-104	Harrow Bar Weldment 1500 mm - 8 Spike
	760 052 003	Harrow Bar Weldment 1700 mm - 9 Spike
	602-060-105	Harrow Bar Weldment 1900 mm - 10 Spike
5	602-060-134	Harrow Bar Assembly 700 mm (Includes Items 1, 2, 3, 4) - 4 Spikes
	760 053 001	Harrow Bar Assembly 900 mm (Includes Items 1, 2, 3, 4) - 5 Spikes
	602-060-135	Harrow Bar Assembly 1100 mm (Includes Items 1, 2, 3, 4) - 6 Spikes
	602-060-136	Harrow Bar Assembly 1300 mm (Includes Items 1, 2, 3, 4) - 7 Spikes
	602-060-137	Harrow Bar Assembly 1500 mm (Includes Items 1, 2, 3, 4) - 8 Spikes
	760 053 002	Harrow Bar Assembly 1700 mm (Includes Items 1, 2, 3, 4) - 9 Spikes
	602-060-138	Harrow Bar Assembly 1900 mm (Includes Items 1, 2, 3, 4) - 10 Spikes
6	602-060-266	Hanger Arm Weldment for 2800/3800 Series
7	600-373-066	U-Bolt 5/8" x 2-1/2" x 4-1/4"
	600 373 058	U-Bolt 5/8" x 4" x 5-1/2"
8	600-381-050	Flatwasher 1/2"
9	600-331-014	Lynch Pin 5/16" x 1-1/2" (use Quick Link 00 461 009 on old style hanger arms)
10	602-060-197	Draw Chain (replaces 02 060 141)
11	602-060-140	Hanger Chain
12	600-356-019	Bolt 3/8" x 3"
13	600-381-006	Flatwasher 3/8"
14	600-366-004	Locknut 3/8"
15	602-060-114	Straight Joiner Link*
16A	602-060-118	Offset Joiner Link - 67 Right (3 Bar)*
16B	602-060-117	Offset Joiner Link - 134 Left (3 Bar)*
16C	602-060-115	Offset Joiner Link - 80 Left (5 Bar)*
16D	602-060-119	Offset Joiner Link - 120 Right (5 Bar)*
17	602-060-112	Bushing
18	600-356-139	Bolt 1/2" x 1-3/4"
19	600-356-115	Bolt 3/8" x 1-1/2"
20	600-356-145	Bolt 3/4" x 2"
21	600-381-009	Washer 3/4"
22	600-366-007	Locknut 3/4"
23	600-356-016	Bolt 3/8" x 1-1/4"
24	602-060-193	Harrow Bar Extension - LH
25	602-060-194	Harrow Bar Extension - RH
	602-060-480	Harrow Bar Extension Kit - LH (Includes items 1, 2, 3, 16, 25 & 26)
	602-060-481	Harrow Bar Extension Kit - RH (Includes items 1, 2, 3, 16, 25 & 27)
26	600-381-020	Washer 5/8"
27	600-366-006	Locknut 5/8"
*		*NOTE: Diagrams show offset links assembled for shallow working angle. For steep angle setting, flip offset brackets over and assemble opposite to diagram.

