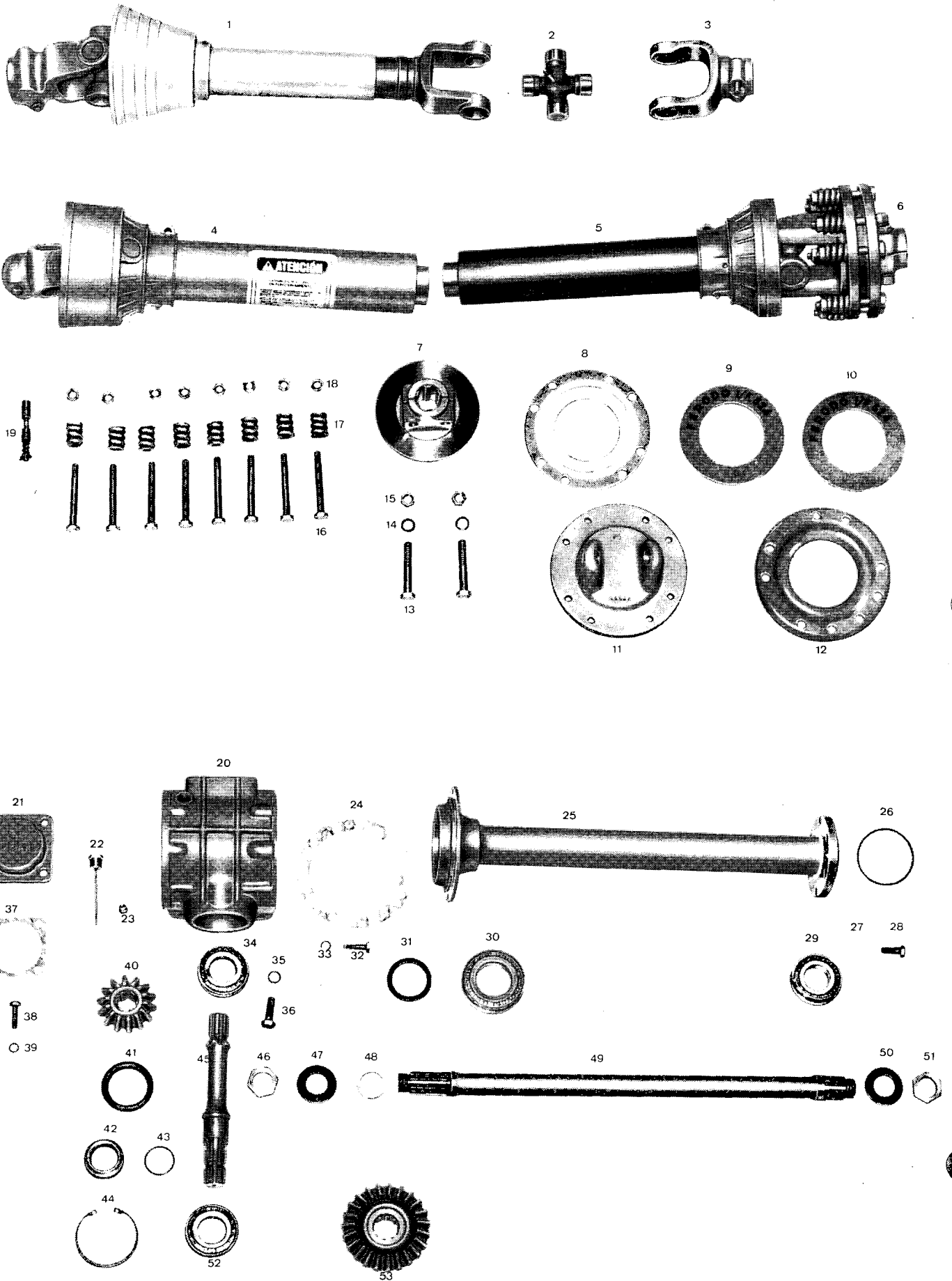
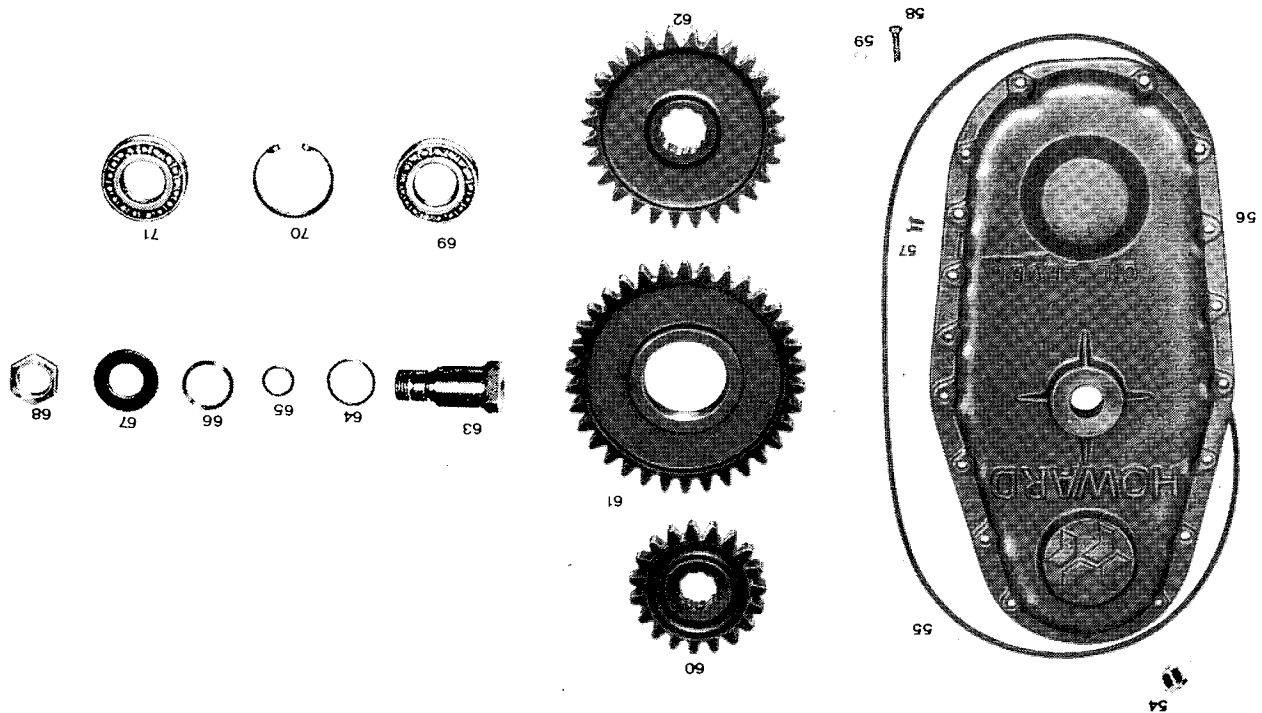
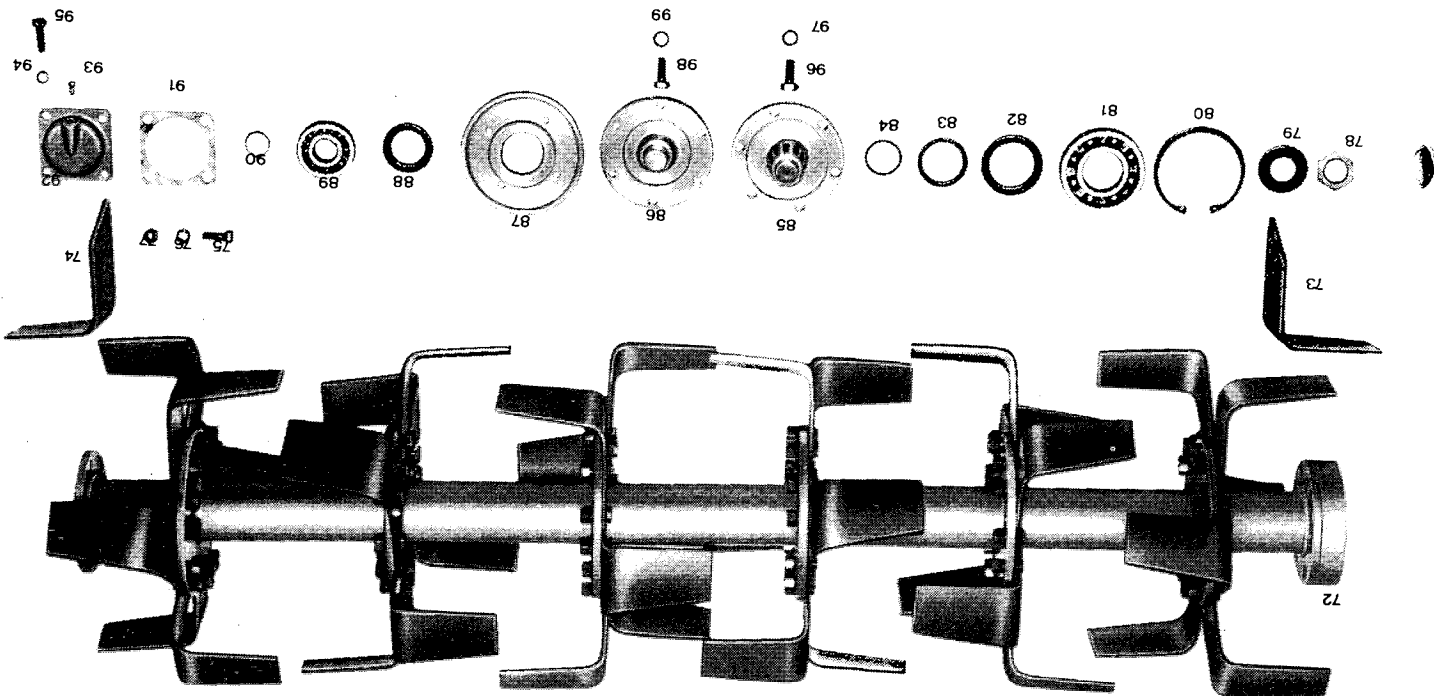
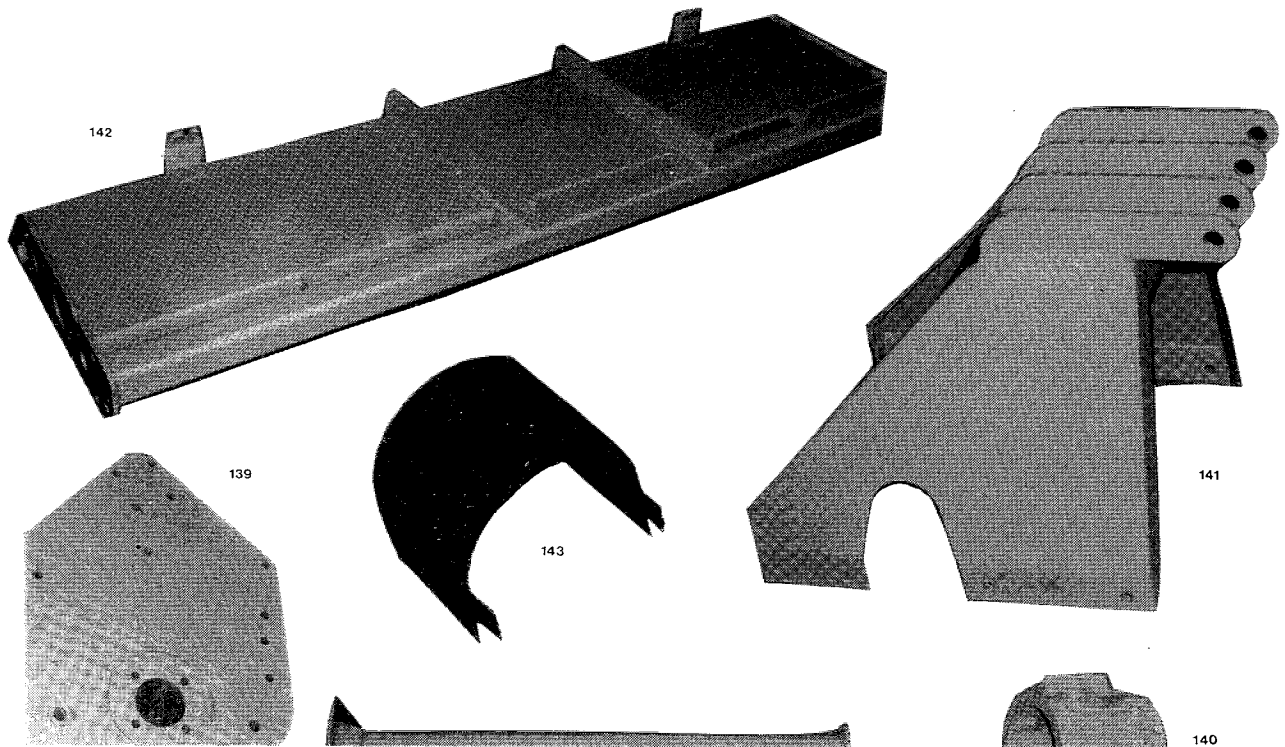
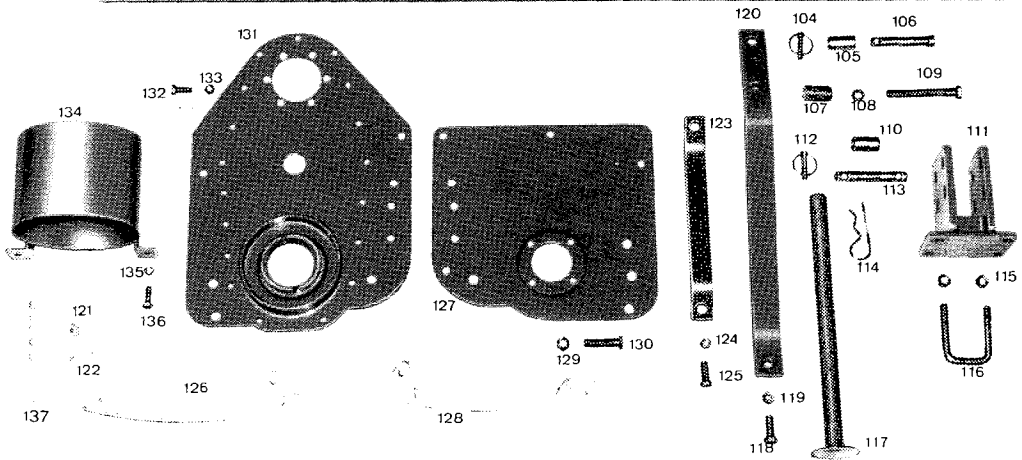
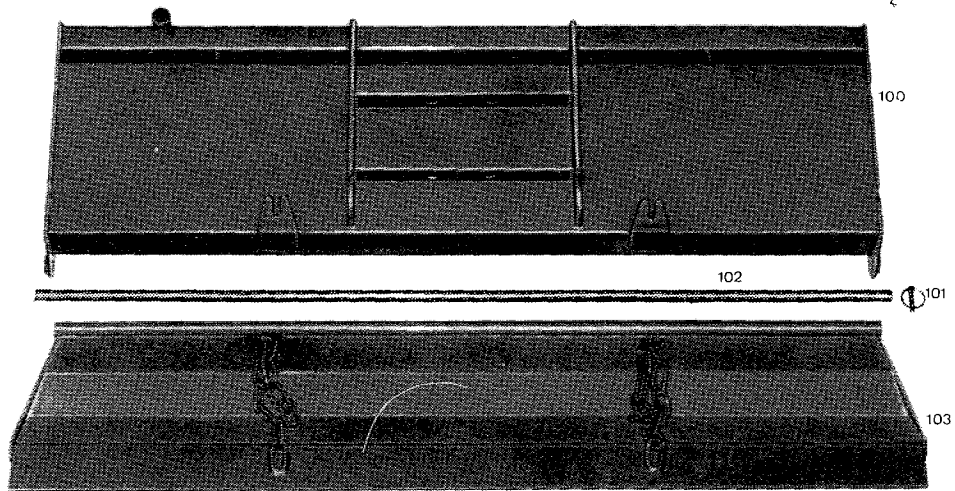


HR15





HR15



PARTS LIST

LISTA DE PIEZAS

LISTE DE PIÉCES

LISTA DE PEÇAS

ONLY FOR:
SOLO PARA:
POUR:
SÓ:

HR15-35/60

Nº	Reference	Description	Descripción	Désignation	Descrição
-	000665008	U/J with clutch	Transmisión c/embrague	Cardan	Transmissão c/embragem
1	000665009	U/J without clutch	Transmisión s/embrague	Cardan avec limiteur	Transmissão s/embragem
2	000649356	Spider assy	Cruceta	Croisillon	Cruzeta
3	000649360	Yoke assy	Conjunto horquilla	Machoire	Conjunto garfo
4	000649359	Yoke and tube	Media transm. hembra	Fourche femelle	Media transmiss. fêmea
5	000649358	Yoke and shaft	Media transm. macho	Fourche mâle	Media transmiss. macho
6	000649635	Clutch assy	Conjunto embrague	Limiteur	Conjunto embraagem
7	000649335	Clutch disc	Núcleo	Plateau de cardan	Núcleo
8	000649336	Wearing disc	Disco desgastable	Disque intermédiaire	Disco desgastável
9	000649337	Friction disc	Disco fricción	Disque de friction	Disco de fricção
10	000649337	Friction disc	Disco fricción	Disque de friction	Disco de fricção
11	000649379	Clutch plate	Plato cardan	Plateau	Disco cardan
12	000649339	Inner cover	Protector	Couvercle	Protector
13	000649343	Bolt	Tornillo	Boulon	Parafuso
14	000649344	Washer	Arandela	Rondelle	Anilha
15	000649345	Nut	Tuerca	Ecrou	Porca
16	000649340	Stud	Espárrago	Goujon	Espia
17	000649341	Spring	Muelle	Ressort	Mola
18	000649342	Nut	Tuerca	Ecrou	Porca
19	000649347	Yoke pin assy	Pulsador completo	Poussoir de machoire	Botão completo

ONLY FOR:
SOLO PARA:
POUR:
SÓ:

HR15-65/75

Nº	Reference	Description	Descripción	Désignation	Descrição
-	000665000	U/J with clutch	Transmisión c/embrague	Cardan	Transmissão c/embragem
1	000640630	U/J without clutch	Transmisión s/embrague	Cardan avec limiteur	Transmissão s/embragem
2	000649334	Spider assy	Cruceta	Croisillon	Cruzeta
3	000649333	Yoke assy	Conjunto horquilla	Machoire	Conjunto garfo
4	000649331	Yoke and tube	Media transm. hembra	Fourche femelle	Media transmiss. fêmea
5	000649332	Yoke and shaft	Media transm. macho	Fourche mâle	Media transmiss. macho
6	000640990	Clutch assy	Conjunto embrague	Limiteur	Conjunto embraagem
7	000649335	Clutch disc	Núcleo	Plateau de cardan	Núcleo
8	000649336	Wearing disc	Disco desgastable	Disque intermédiaire	Disco desgastável
9	000649337	Friction disc	Disco fricción	Disque de friction	Disco de fricção
10	000649337	Friction disc	Disco fricción	Disque de friction	Disco de fricção
11	000649338	Clutch plate	Plato cardan	Plateau	Disco cardan
12	000649339	Inner cover	Protector	Couvercle	Protector
13	000649343	Bolt	Tornillo	Boulon	Parafuso
14	000649344	Washer	Arandela	Rondelle	Anilha
15	000649345	Nut	Tuerca	Ecrou	Porca
16	000649340	Stud	Espárrago	Goujon	Espia
17	000649341	Spring	Muelle	Ressort	Mola
18	000649342	Nut	Tuerca	Ecrou	Porca

HR15

N°	Reference	Description	Descripción	Désignation	Descrição
20	000640629	Gearbox	Carter	Carter de boîte	Carter
21	000328069	End cover	Tapeta	Couvercle	Tapete
22	000649623	Plug 1/2"	Tapón nivel	Jauge	Tampão nivel
23	203031230	Plug 1/4"	Tapón vaciado	Bouchon	Tampão de esvaziamento
24	000061021	Gasket	Junta	Joint de trompette	Junta de culatra
25	000640694	J/shaft hsg.HR15-35	Trompeta HR15-35	Trompette 0,90m	Trombeta HR15-35
25	000640695	J/shaft hsg.HR15-45	Trompeta HR15-45	Trompette 1,15m	Trombeta HR15-45
25	000640696	J/shaft hsg.HR15-50/55	Trompeta HR15-50/55	Trompette 1,30m	Trombeta HR15-50/55
25	000640697	J/shaft hsg.HR15-60/65	Trompeta HR15-60/65	Trompette 1,55m	Trombeta HR15-60/65
25	000649733	J/shaft hsg.HR15-70	Trompeta HR15-70	Trompette 1,80m	Trombeta HR15-70
25	000649061	J/shaft hsg.HR15-75	Trompeta HR15-75	Trompette 1,90m	Trombeta HR15-75
26	202071440	O'ring 87x95x4	Junta tórica 87x95x4	Joint torique	Junta tórica 87x95x4
27	307212050	Nut M 12 gripco	Tuerca M 12	Ecrou sécurité 12	Porca M 12
28	301212300	Bolt M 12x30	Tornillo M12x30	Vis 12x30	Parafuso M 12x30
29	254080201	Roller brg. 30208	Rodamiento rodillos 30208	Roulement 30208	Mancal de roletes 30208
30	255510231	Roller brg. 30211	Rodamiento rodillos 30211	Roulement 30211	Mancal de roletes 30211
31	267055081	Oil seal 70x55x8	Retén aceite 70x55x8	Bague d'étanchéité 70x55x8	Retém de óleo 70x55x8
32	301210250	Bolt M 12x25	Tornillo M 10x25	Vis 10x25	Parafuso M 10x25
33	108061140	Spring washer D10	Grower M 10	Rondelle 10	Grower M 10
34	254080201	Roller brg. 30208	Rodamiento rodillos 30208	Roulement 30208	Mancal de roletes 30208
35	308140040	Spring washer D 14	Grower M 14	Rondelle 14	Grower M 14
36	301214400	Bolt M 14x40	Tornillo M 14x40	Vis 14x40	Parafuso M 14x40
37	000328071	Gasket	Junta tapeta	Joint de couvercle	Junta de culatra
38	301210250	Bolt M 10x25	Tornillo M 10x25	Vis 10x25	Parafuso M 10x25
39	108061140	Spring washer D 10	Grower M 10	Rondelle 10	Grower M 10
40	000640118	Pinion	Piñón cónico	Pignon conique	Pinhão cônico
41	268060102	Oil seal 80x60x10	Retén 80x60x10	Bague d'étanchéité 80x60x10	Retém de óleo 80x60x10
42	000640622	Spacer	Anillo	Entretoise	Anilha
43	202070530	O'ring 40x48x4	Junta tórica 40x48x4	Joint torique 40x48x4	Junta tórica 40x48x4
44	208001320	Circlip I-80	Anillo seeger I-80	Circlip 80-I	Anilha seeger I-80
45	000640626	Drive shaft	Eje	Arbre primaire	Eixo
46	000640114	Special nut	Tuerca especial	Ecrou	Porca especial
47	203026020	Belleville washer	Belleville	Rondelle	Belleville
48	000640115	Spacer	Distanciador	Entretoise	Distanciador
49	000640601	J/shaft HR15-35	Palier HR15-35	Arbre secondaire 0,90m	Palier HR15-35
49	000640238	J/shaft HR15-45	Palier HR15-45	Arbre secondaire 1,15m	Palier HR15-45
49	000640239	J/shaft HR15-50/55	Palier HR15-50/55	Arbre secondaire 1,30m	Palier HR15-50/55
49	000640240	J/shaft HR15-60/65	Palier HR15-60/65	Arbre secondaire 1,55m	Palier HR15-60/65
49	000649735	J/shaft HR15-70	Palier HR15-70	Arbre secondaire 1,80m	Palier HR15-70
49	000649063	J/shaft HR15-75	Palier HR15-75	Arbre secondaire 1,90m	Palier HR15-75
50	203026020	Belleville washer	Belleville	Rondelle	Belleville
51	000640114	Special nut	Tuerca especial	Ecrou	Porca especial
52	254080201	Roller brg. 30208	Rodamiento rodillos 30208	Roulement 30208	Mancal de roletes 30208
53	000640117	Crownwheel	Corona cónica	Couronne conique	Roda de coroa
54	203031190	Plug 1/2"	Tapón de llenado	Bouchon	Tampão de encher
55	000640995	Rubber ring	Junta tapa	Joint de carter	Junta tampa
56	000069722	Gearcase	Tapa lateral	Carter latéral	Tampa lateral
57	203031230	Plug 1/4"	Tapón de vaciado	Bouchon	Tampão de esvaziamento
58	301208300	Bolt M 8x30	Tornillo M 8x30	Vis M 8x30	Parafuso M 8x30
59	307208050	Nut M 8 Gripco	Tuerca M 8	Ecrou sécurité 8	Porca M 8
60	000640623	J/shaft gear	Engranaje superior	Pignon supérieur	Engrenagem superior
61	000069724	Idler gear	Engranaje central	Pignon central	Engrenagem central

Nº	Reference	Description	Descripción	Désignation	Descrição
64	202070530	O'ring 40x48x4	Junta tórica 40x48x4	Joint torique	Junta tórica 40x48x4
65	202074710	O'ring 24x32x4	Junta tórica 24x32x4	Joint torique	Junta tórica 24x32x4
66	000640955	Spacer	Distanciador	Entretoise	Separador
67	203026020	Belleville washer	Belleville	Rondelle	Belleville
68	000640114	Special nut	Tuerca	Ecrou	Porca especial
69	254080201	Roller brg. 30208	Rodamiento rodillos 30208	Roulement 30208	Mancal de roletes 30208
70	208001320	Circlip I-80	Anillo seeger I-80	Circlips Dia 80-I	Anilha seeger I-80
71	254080201	Roller brg. 30208	Rodamiento rodillos 30208	Roulement 30208	Mancal de roletes 30208
72	000640502	Rotor HR15-35	Tubo rotor HR15-35	Rotor 0,90m	Tubo rotor HR15-35
72	000640503	Rotor HR15-45	Tubo rotor HR15-45	Rotor 1,15m	Tubo rotor HR15-45
72	000649038	Rotor HR15-50	Tubo rotor HR15-50	Rotor 1,30m	Tubo rotor HR15-50
72	000640504	Rotor HR15-55	Tubo rotor HR15-55	Rotor 1,40m	Tubo rotor HR15-55
72	000649039	Rotor HR15-60	Tubo rotor HR15-60	Rotor 1,55m	Tubo rotor HR15-60
72	000640505	Rotor HR15-65	Tubo rotor HR15-65	Rotor 1,65m	Tubo rotor HR15-65
72	000649040	Rotor HR15-70	Tubo rotor HR15-70	Rotor 1,80m	Tubo rotor HR15-70
72	000640506	Rotor HR15-75	Tubo rotor HR15-75	Rotor 1.90m	Tubo rotor HR15-75
73	000009900	Blade LH universal	Cuchilla universal izda.	Lame gauche	Faca universal esquerda
74	000009901	Blade RH universal	Cuchilla universal dcha.	Lame droite	Faca universal direita
75	000009852	Blade bolt 7/16"	Tornillo 7/16"	Vis	Parafuso 7/16"
76	108071240	Spring washer 7/16"	Grower 7/16"	Rondelle	Grower 7/16"
77	000061188	Blade nut 7/16"	Tuerca 7/16"	Ecrou	Porca 7/16"
78	000640114	Special nut	Tuerca especial	Ecrou	Porca especial
79	203026020	Belleville washer	Belleville	Rondelle	Belleville
80	208001520	Circlip I-110	Anillo seeger I-110	Circlips 110-I	Anillo seeger I-110
81	255011271	Ball brg. 6310	Rodamiento bolas 6310	Roulement 6310	Rolamento 6310
82	269065132	Oil seal 90x65x13	Retén 90x65x13	Bague d'étanchéité 90x65x13	Retém de óleo 90x65x13
83	000640951	Sleeve	Anillo	Entretoise	Anilla
84	202023410	O'ring 44x50x3	Junta tórica 44x50x3	Joint torique 44x50x3	Junta tórica 44x50x3
85	000640950	Rotor drive shaft	Eje rotor conductor	Arbre de commande	Eixo rotor conductor
86	000640952	* Stub axle	Eje rotor conducido	Fusée de rotor	Eixo rotor conduzido
86	000665055	** Stub axle	Eje rotor conducido	Fusée de rotor	Eixo rotor conduzido
87	000640953	Brg. housing	Alojamiento	Palier de fusée	Encaixe
88	266545081	Oil seal 45x65x8	Retén 45x65x8	Bague d'étanchéité 45x65x8	Retém de óleo 45x65x8
89	253072191	Ball brg. 6306	Rodamiento bolas 6306	Roulement 6306	Rolamento 6306
90	208102250	* Circlip E-30	Anillo seeger E-30	Circlips	Anilha seeger E-30
90	000665062	** Special nut M 24	Tuerca especial M 24	Ecrou	Porca especial M 24
91	000640970	Gasket	Junta	Joint de couvercle	Junta
92	000328029	End cover	Tapeta	Couvercle de fusée	Tapete
93	202030020	Grease nipple 1/8"	Engrasador 1/8"	Graisseur	Lubrificador 1/8"
94	108061140	Spring washer D 10	Grower M 10	Rondelle	Grower M 10
95	301210350	Bolt M 10x35	Tornillo M 10x35	Vis 10x35	Parafuso M 10x35
96	301214300	Bolt M 14x30	Tornillo M 14x30	Vis 10x30	Parafuso M 14x30
97	308140040	Spring washer D 14	Grower M 14	Rondelle 14	Grower M 34
98	301212300	Bolt M 12x30	Tornillo M 12x30	Vis 12x30	Parafuso M 12x30
99	108081440	Spring washer D 12	Grower M 12	Rondelle 12	Grower M 12
100	000640712	Hull w.a. HR15-35	Capot HR15-35	Capot 0,90m	Capot HR15-35
100	000640593	Hull w.a. HR15-45	Capot HR15-45	Capot 1,15m	Capot HR15-45
100	000640594	Hull w.a. HR15-50	Capot HR15-50	Capot 1,40m	Capot HR15-50
100	000640595	Hull w.a. HR15-55	Capot HR15-55	Capot 1,55m	Capot HR15-55
100	000640596	Hull w.a. HR15-60	Capot HR15-60	Capot 1,65m	Capot HR15-60
100	000640597	Hull w.a. HR15-65	Capot HR15-65	Capot 1,80m	Capot HR15-65
100	000640598	Hull w.a. HR15-70	Capot HR15-70	Capot 1.90m	Capot HR15-70

HR15

N°	Reference	Description	Descripción	Désignation	Descrição
101	000060495	Clip pin	Clavija	Goupille à anneau	Cavilha
102	000640565	Pin T/B HR15-35	Pasador bisagra HR15-35	Charnière de tablier 0,90	Chaveta dobradiça HR15-35
102	000640566	Pin T/B HR15-45	Pasador bisagra HR15-45	Charnière de tablier 1,15	Chaveta dobradiça HR15-45
102	000649035	Pin T/B HR15-50	Pasador bisagra HR15-50	Charnière de tablier 1,30	Chaveta dobradiça HR15-50
102	000640567	Pin T/B HR15-55	Pasador bisagra HR15-55	Charnière de tablier 1,40	Chaveta dobradiça HR15-55
102	000649036	Pin T/B HR15-60	Pasador bisagra HR15-60	Charnière de tablier 1,55	Chaveta dobradiça HR15-60
102	000640568	Pin T/B HR15-65	Pasador bisagra HR15-65	Charnière de tablier 1,65	Chaveta dobradiça HR15-65
102	000649537	Pin T/B HR15-70	Pasador bisagra HR15-70	Charnière de tablier 1,70	Chaveta dobradiça HR15-70
102	000640569	Pin T/B HR15-75	Pasador bisagra HR15-75	Charnière de tablier 1,90	Chaveta dobradiça HR15-75
103	000640550	Trailing board HR15-35	Tablier HR15-35	Tablier 0,90m	Tablier HR15-35
103	000640600	Trailing board HR15-45	Tablier HR15-45	Tablier 1,15m	Tablier HR15-45
103	000640601	Trailing board HR15-50	Tablier HR15-50	Tablier 1,30m	Tablier HR15-50
103	000640602	Trailing board HR15-55	Tablier HR15-55	Tablier 1,40m	Tablier HR15-55
103	000640603	Trailing board HR15-60	Tablier HR15-60	Tablier 1,55m	Tablier HR15-60
103	000640604	Trailing board HR15-65	Tablier HR15-65	Tablier 1,65m	Tablier HR15-65
103	000640605	Trailing board HR15-70	Tablier HR15-70	Tablier 1,80m	Tablier HR15-70
103	000640606	Trailing board HR15-75	Tablier HR15-75	Tablier 1,90m	Tablier HR15-75
104	000060495	Clip pin	Clavija	Goupille à anneau	Cavilha
105	000065577	Sleeve	Distanciador	Bague d'axe	Bucha
106	000065566	Draw pin	Pasador	Axe	Chaveta
*		Models til 3/91	Modelos hasta 3/91	Modèles jusqu'a 3/91	Modelos até 3/91
**		Models from 4/91	Modelos desde 4/91	Modèles à partir 4/91	Modelos desde 4/91
107	000640616	Sleeve	Distanciador	Bague d'axe	Bucha
108	307216050	Nut M 16 gripco	Tuerca M 16	Ecrou 16	Porca M 16
109	301616130	Bolt M 16x130	Tornillo M 16x130	Vis 16x130	Parafuso M 16x130
110	000054463	Sleeve	Distanciador	Bague d'axe	Bucha
110 *	000665064	Sleeve	Distanciador	Bague d'axe	Bucha
111	000640585	Mounting plate	Brida de enganches	Bride	Brida de engates
112	000060495	Clip pin	Clavija	Goupille à anneau	Cavilha
113	000640195	Lifting pin	Pasador	Axe	Chaveta
113 *	000665063	Lifting pin	Pasador	Axe	Chaveta
114	000649588	Elastic pin	Pasador elástico	Goupille	Chaveta elástico
115	307216050	Nut M 16 gripco	Tuerca M 16	Ecrou 16	Porca M 16
116	000640597	U bolt	Abarcón	Etrier 16	Braçadeira
117	000649586	Stand w.a.	Pata apoyo	Béquille	Pé de apoio
118	301214400	Bolt M 14x40	Tornillo M 14x40	Vis 14x40	Parafuso M 14x40
119	307214050	Nut M 14 gripco	Tuerca M 14	Ecrou 14	Porca M 14
120	000640593	Top mast arm	Mástil	Bras de potence arrière	Mastro
121	307212050	Nut M 12 gripco	Tuerca M 12	Ecrou 12	Porca M 12
122	301412350	Bolt M 12x35	Tornillo M 12x35	Vis 12x35	Parafuso M 12x35
123	000640592	Support arm top mast	Soporte mástil	Bras de potence avant	Suporte mastro
124	307214050	Nut M 14 gripco	Tuerca M 14	Ecrou 14	Porca M 14
125	301214400	Bolt M 14x40	Tornillo M 14x40	Vis 14x40	Parafuso M 14x40
126	000649378	Skid w.a.	Patín izquierdo	Patin gauche	Patim esquerdo
127	000640710	Support plate w.a.	Placa base derecha	Flasque droit	Placa base direita
128	000649374	Skid w.a.	Patín derecho	Patin droit	Patim direito
129	307216050	Nut M 16 gripco	Tuerca M 16	Ecrou 16	Porca M 16
130	301216600	Bolt M 16x60	Tornillo M 16x60	Vis 16x60	Parafuso M 16x60
131	000640708	Backplate w.a.	Placa base izquierda	Flasque gauche	Placa base esquerda
132	301212300	Bolt M 12x30	Tornillo M 12x30	Vis 12x30	Parafuso M 12x30

N°	Reference	Description	Descripción	Désignation	Descrição
134	000649584	Clutch cover w.a.	Protector embrague	Protecteur d'embrayage	Protector embraíagem
135	307210050	Nut M 10 gripco	Tuerca M 10	Ecrou 10	Porca M 10
136	301210250	Bolt M 10x25	Tornillo M 10x25	Vis 10x25	Parafuso M 10x25
137	000649373	Adjusting bar	Cremallera	Pied de réglage	Barra de ajuste

PARTS

PIEZAS

PIÈCES

PEÇAS

HR 15 new version

HR 15 nueva version

HR 15 nouveau version

HR 15 nova versão

138	000665751	Rh.side plate HR15-35	Doble trompeta HR15-35	Double trompette 0,90m	Doble trombeta HR15-35
138	000665752	Rh.side plate HR15-45	Doble trompeta HR15-45	Double trompette 1,15m	Doble trombeta HR15-45
138	000665753	Rh.side plate HR15-50	Doble trompeta HR15-50	Double trompette 1,30m	Doble trombeta HR15-50
138	000665754	Rh.side plate HR15-55	Doble trompeta HR15-55	Double trompette 1,40m	Doble trombeta HR15-55
138	000665755	Rh.side plate HR15-60	Doble trompeta HR15-60	Double trompette 1,55m	Doble trombeta HR15-60
138	000665756	Rh.side plate HR15-65	Doble trompeta HR15-65	Double trompette 1,65m	Doble trombeta HR15-65
138	000665757	Rh.side plate HR15-70	Doble trompeta HR15-70	Double trompette 1,70m	Doble trombeta HR15-70
138	000665758	Rh.side plate HR15-75	Doble trompeta HR15-75	Double trompette 1,90m	Doble trombeta HR15-75
139	000665747	Support plate w.a.	Placa derecha	Flasque droite	Placa direita
140	000640971	Gearbox	Carter	Carter de boîte	Carter
141	000665740	Top mast support w.a.	Torreta	Potence	Torreta
142	000665769	Hull HR15-35 w.a.	Capot HR15-35	Capot HR15-35	Capot HR15-35
142	000665770	Hull HR15-45 w.a.	Capot HR15-45	Capot HR15-45	Capot HR15-45
142	000665771	Hull HR15-50 w.a.	Capot HR15-50	Capot HR15-50	Capot HR15-50
142	000665772	Hull HR15-55 w.a.	Capot HR15-55	Capot HR15-55	Capot HR15-55
142	000665773	Hull HR15-60 w.a.	Capot HR15-60	Capot HR15-60	Capot HR15-60
142	000665774	Hull HR15-65 w.a.	Capot HR15-65	Capot HR15-65	Capot HR15-65
142	000665775	Hull HR15-70 w.a.	Capot HR15-70	Capot HR15-70	Capot HR15-70
142	000665776	Hull HR15-75 w.a.	Capot HR15-75	Capot HR15-75	Capot HR15-75
143	000665778	Cover	Protector	Protecteur	Protector



NUMERICAL INDEX

INDICE NUMERICO

HR15

N°	Reference	N°	Reference	N°	Reference	N°	Reference	N°	Reference	N°	Reference	N°	Reference
05	000009852	103	000640550	025	000640696	010	000649337	-	000665008	043	202070530	098	301212300
03	000009900	102	000640565	025	000640697	011	000649338	001	000665009	026	202071440	096	301214300
04	000009901	102	000640566	131	000640708	012	000649339	086	000665055	065	202074710	036	301214400
00	000054463	102	000640567	127	000640710	012	000649339	090	000665062	079	203026020	118	301214400
01	000060495	102	000640568	100	000640712	016	000649340	113	000665063	067	203026020	125	301214400
04	000060495	102	000640569	085	000640950	017	000649341	110	000665064	050	203026020	130	301216600
02	000060495	111	000640585	083	000640951	017	000649341	141	000665740	047	203026020	122	301412350
04	000061021	123	000640592	086	000640952	018	000649342	139	000665747	054	203031190	109	301616130
02	000061081	120	000640593	087	000640953	018	000649342	138	000665751	057	203031230	059	307208050
07	000061188	100	000640593	063	000640954	013	000649343	138	000665752	023	203031230	135	307210050
06	000065566	100	000640594	066	000640955	013	000649343	138	000665753	044	208001320	027	307212050
05	000065577	100	000640595	091	000640970	014	000649344	138	000665754	070	208001320	121	307212050
06	000069722	100	000640596	140	000640971	014	000649344	138	000665755	080	208001520	133	307212050
01	000069724	100	000640597	006	000640990	015	000649345	138	000665756	090	208102250	124	307214050
02	000328029	116	000640597	055	000640995	015	000649345	138	000665757	089	253072191	119	307214050
01	000328069	100	000640598	102	000649035	019	000649347	138	000665758	029	254080201	115	307216050
07	000328071	100	000640599	102	000649036	002	000649356	142	000665769	069	254080201	129	307216050
08	000640114	103	000640600	072	000649038	005	000649358	142	000665770	034	254080201	108	307216050
08	000640114	103	000640601	072	000649039	004	000649359	142	000665771	052	254080201	035	308140040
06	000640114	049	000640601	072	000649040	003	000649360	142	000665772	071	254080201	097	308140040
01	000640114	103	000640602	025	000649061	137	000649373	142	000665773	081	255011271		
08	000640115	103	000640603	049	000649063	128	000649374	142	000665774	030	255510231		
03	000640117	103	000640604	004	000649331	126	000649378	142	000665775	088	266545081		
00	000640118	103	000640605	005	000649332	011	000649379	142	000665776	031	267055081		
03	000640195	103	000640606	003	000649333	102	000649537	143	000665778	041	268060102		
09	000640238	107	000640616	002	000649334	134	000649584	094	108061140	082	269065132		
09	000640239	042	000640622	007	000649335	117	000649586	039	108061140	058	301208300		
09	000640240	060	000640623	007	000649335	114	000649588	033	108061140	038	301210250		
02	000640502	045	000640626	008	000649336	022	000649623	076	108071240	136	301210250		
02	000640503	020	000640629	008	000649336	006	000649635	099	108081440	032	301210250		
02	000640504	001	000640630	009	000649337	005	000649733	084	202023410	095	301210350		
02	000640505	025	000640694	010	000649337	049	000649735	093	202030020	132	301212300		
02	000640506	025	000640695	009	000649337	-	000665000	064	202070530	028	301212300		