

Vibro Crop Intelli



Vibro Crop Intelli

Interrow-cultivator

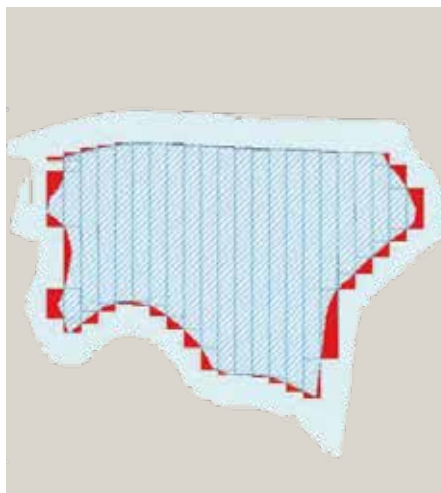


With the new Vibro Crop Intelli series Kongskilde offers a range of row crop cultivators with new intelligent solutions for the farmer, providing increased capacity, precision, and user-friendliness. All these elements improve the profitability and efficiency of mechanical row crop cleaning.

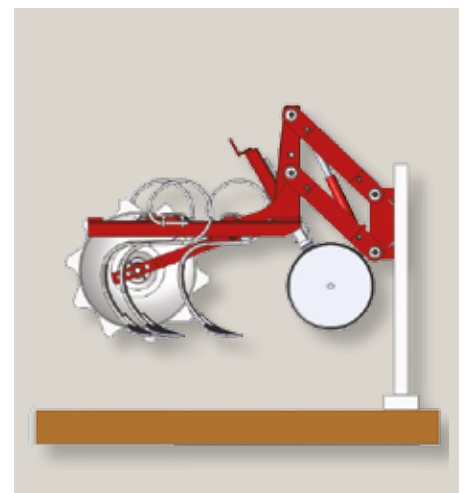
Section Control

Via a GPS terminal the automatic section control can individually raise and lower the tine sections when the cultivator approaches the headland or irregular-shaped areas of the field. This means that the field can be 100% cleaned.

- No crop damage in headlands
- Possible to save the last herbicide spraying
- Utilise existing GPS investment for auto-steering
- Great advantage in irregular-shaped fields
- Possible to raise each individual section manually
- Reduced transport width with the sections in raised position



GPS section control ensures 100% cleaning of the field without damaging the crop.



New cleaning sections ensure 25 cm ground clearance in raised position.

Camera Steering

A stereo camera mounted on the row crop cultivator identifies the green plants in the rows, ensuring that the cultivator constantly follows the individual rows.

- The cultivator is mounted in a hydraulic side-shift frame attached to the tractor
- The cultivator is adjusted to follow the row and therefore works independently of the tractor's position in the rows
- Accuracy down to +/- 2.5 cm
- Working speed can be increased
- Cleaning shares can be adjusted to work very close to the plant rows
- Automatic steering reduces operator fatigue
- Stabilizing discs ensure 100% transfer of the side shift to the machine



Camera steering allows higher speed, thus increased capacity.



The height and angle of the stereo camera can be adjusted depending on the actual growth stage of the crop.



VCO-I with section control - outer section to the left is raised

Large Working Width

A new frame construction with double folding system enables working widths up to 9.0 m, whilst at the same time maintaining a compact and easy-to-transport design.

- Large cleaning capacity
- Integrated side-shift frame gives a compact machine with the gravity point close to the tractor
- 9.0 m version can be used for 6.0 m working width by folding the outer side wings
- Simple folding mechanism ensures a transport width of 3.0 m
- Automatic transport lock for safe road transport
- Heavy-duty support legs for safe parking in folded position
- 2 stabilizing discs ensure a 100% transfer of the side shift to the cultivator
- Large rubber support wheels ensure in-field frame stability

FS Seeder

Compact pneumatic seeding unit for sowing intermediate crops in e.g. maize simultaneously with the final cultivation pass.

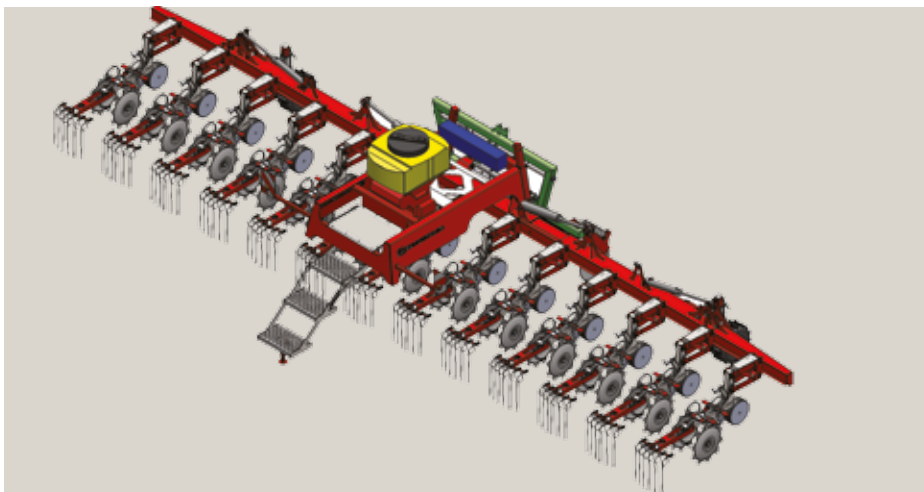
- Electric and highly accurate mechanical feeding
- Adjustable spreader plates mounted in front of the rear harrow tines
- Incorporation of the seeds for a fast germination
- Application rate based on either fixed speed or forward speed
- Steps and platform with handrails for easy and safe access to the hopper
- Simple design with gravity point close to the tractor
- Simple and easy calibration of the seeding system



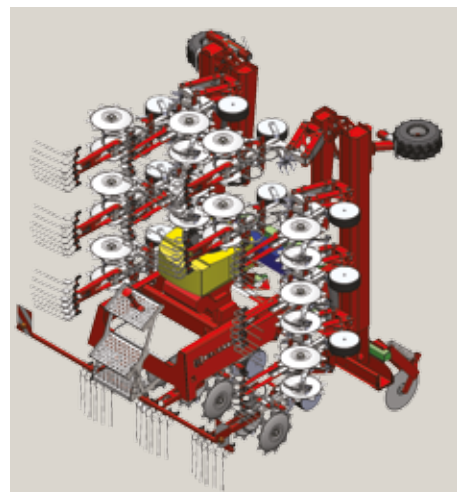
Compact design and easy operation of FS Seeder.



Intermediate crops established together with the final cleaning pass.



9.0 m frame construction with a hydraulic side-shift frame ensures high capacity in season.



Wide boom can be folded to a transport width of only 3.0 m.



Simple and sturdy rear harrow protecting FS Seeder spreader plates.



Cleaning sections with genuine Kongskilde tines and shares and rotating plant protection shields for optimum cleaning.

Cleaning Sections

New reinforced cleaning sections provide reliable strength during work and road transport and optimise the use of the section control and FS Seeder.

- New hydraulic side-shift frame provides 25 cm ground clearance when the sections are raised in the field
- Section control can be retro fitted
- New reinforced beam attachment bracket
- Minimal plant damage and no dragging of plant residues due to rotating plant protection shields
- Genuine Kongskilde Vibro S / VCO tines and shares for optimum weed cut.
- Newly developed rear harrow levels the soil, leaving weeds to dry out on the surface
- Large rubber depth wheels, depth control easily changed via spindle adjustment

Technical specifications

Standard						Optional						
<ul style="list-style-type: none"> • Hydraulic side-shift frame • Vision camera with tractor terminal and sensors • Tractor pattern support wheels • Steering disc(s) • VCO-I cleaning sections with Kongskilde Vibro-S / VCO tines and plant protection shields • Hydraulic folding 						<ul style="list-style-type: none"> • Section control (hydraulics + electronics) • FS Seeder (120/200/300 litre) with steps and platform • Rear harrow (necessary with FS Seeder) • Xenon lights to assist camera in low light or dark conditions • Light kit 						

Model	Number of rows	Row width cm	Beam width m	Transport width m	Tine type	Number of tines	Steering disc	Camera steering	GPS section control	FS Seeder	Rear harrow	Weight kg *)
VCOF 8 - 75	8	75	6,7	2,5	Vibro-S	41	1	Standard	Optional	Optional	Optional	1350
VCOF 12 - 50	12	50	6,7	2,5	VCO	37	1	Standard	Optional	-	Optional	1572
VCOF 12 - 75	12	75	9,9	3,0	Vibro-S	61	2	Standard	Optional	Optional	Optional	2264
VCOF 18 - 50	18	50	9,9	3,0	VCO	55	2	Standard	Optional	-	Optional	2600

*) with rear harrow, without FS Seeder.

Kongskilde Agriculture

Tel. +45 61 80 50 00

office@kongskilde.com

www.kongskilde.com

K KONGSKILDE
Moving agriculture ahead