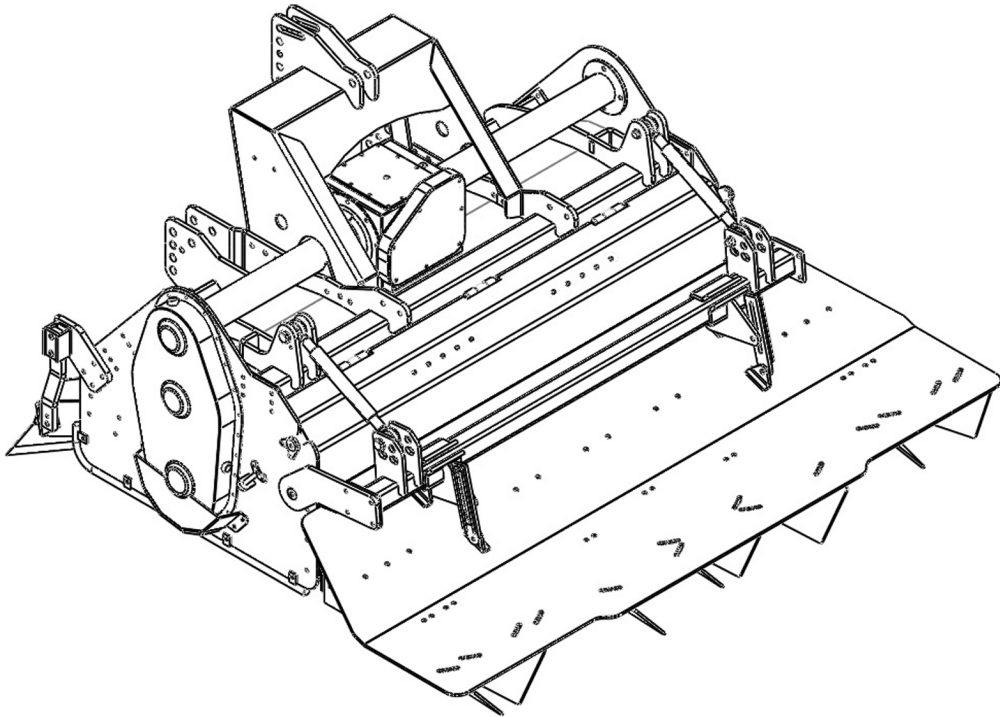


ST600



Reservedelsliste
Spare parts list
Ersatzteilliste
Onderdelenlijst
Liste de pièce de rechange
Lista de Piezas
Parti di ricambio

Reservedelsliste

Spare parts list

Ersatzteilliste

Onderdelenlijst

Liste de pièce de rechange

Lista de Piezas

Parti di ricambio

14

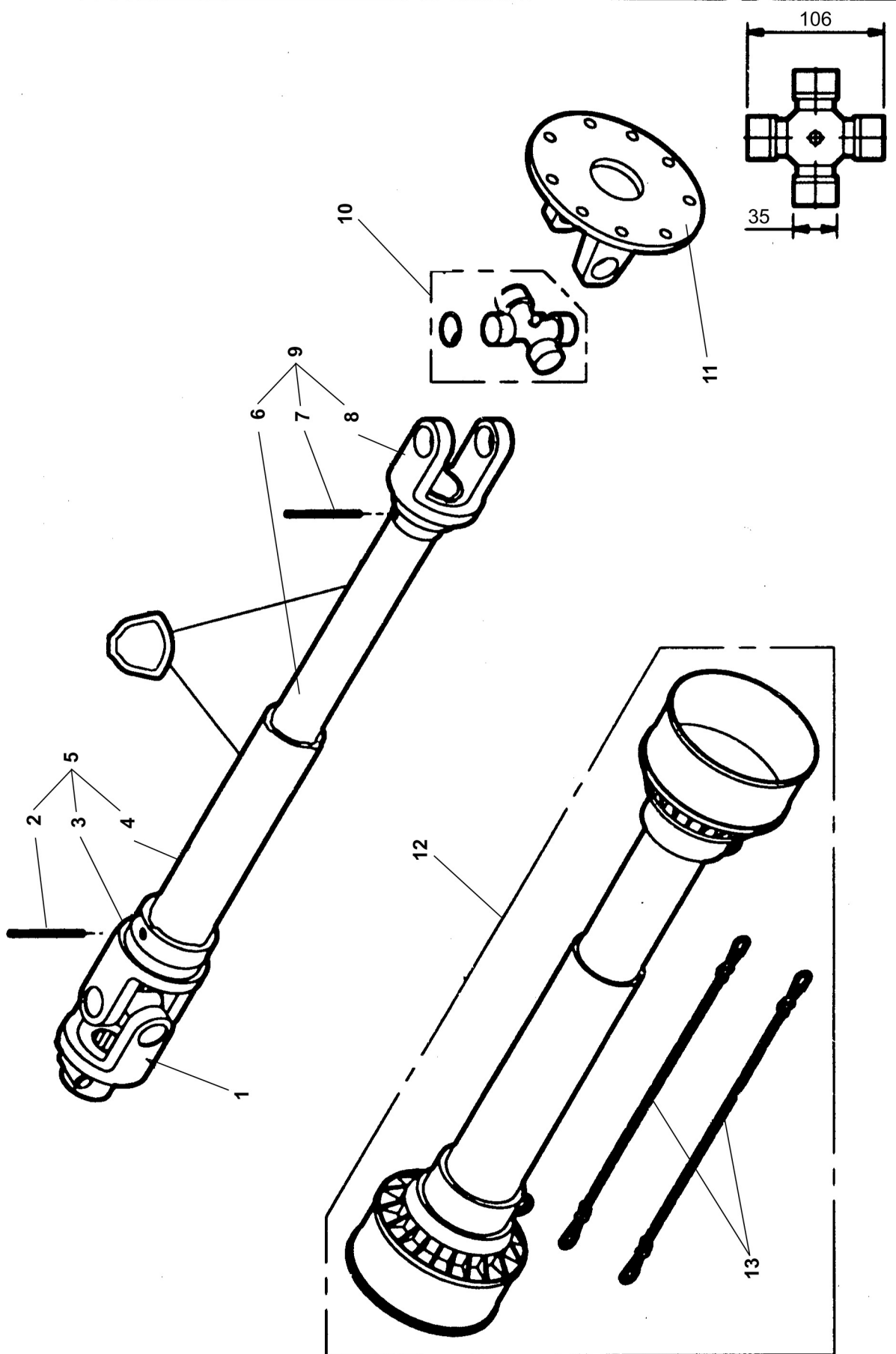


Fig.	Serial n°	Part n°	Pieces	Notes
BONDIOLI & PAVESI Typ 1C8				
1		204051050	1	1 3/8"-6
1		204051220	1	1 3/8"-21
1		204051030	1	1 3/4"-6
1		204051230	1	1 3/4"-21
2		208110040	1	
3		204051760	1	
4		204054620	1	
5		204052100	1	
6		204054630	1	
7		208089880	1	
8		204051510	1	
9		204052110	3	
10		204056010	1	35 x 106 mm
11		204056987	1	
12		20455240	1	
13		204055899	1	
14		204057098	1	1 3/8"-6
14		204057099	1	1 3/8"-21
14		204057119	1	1 3/4"-6

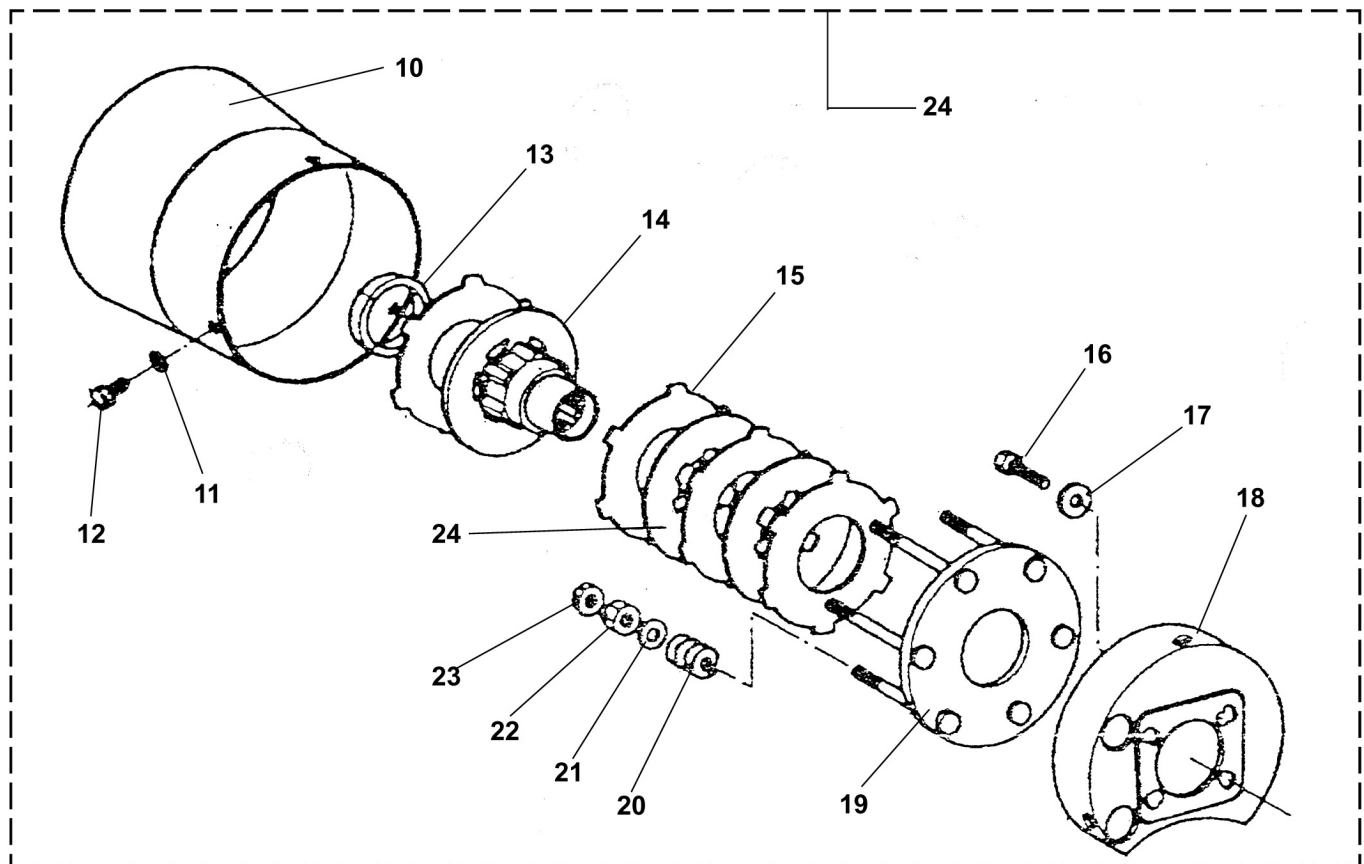
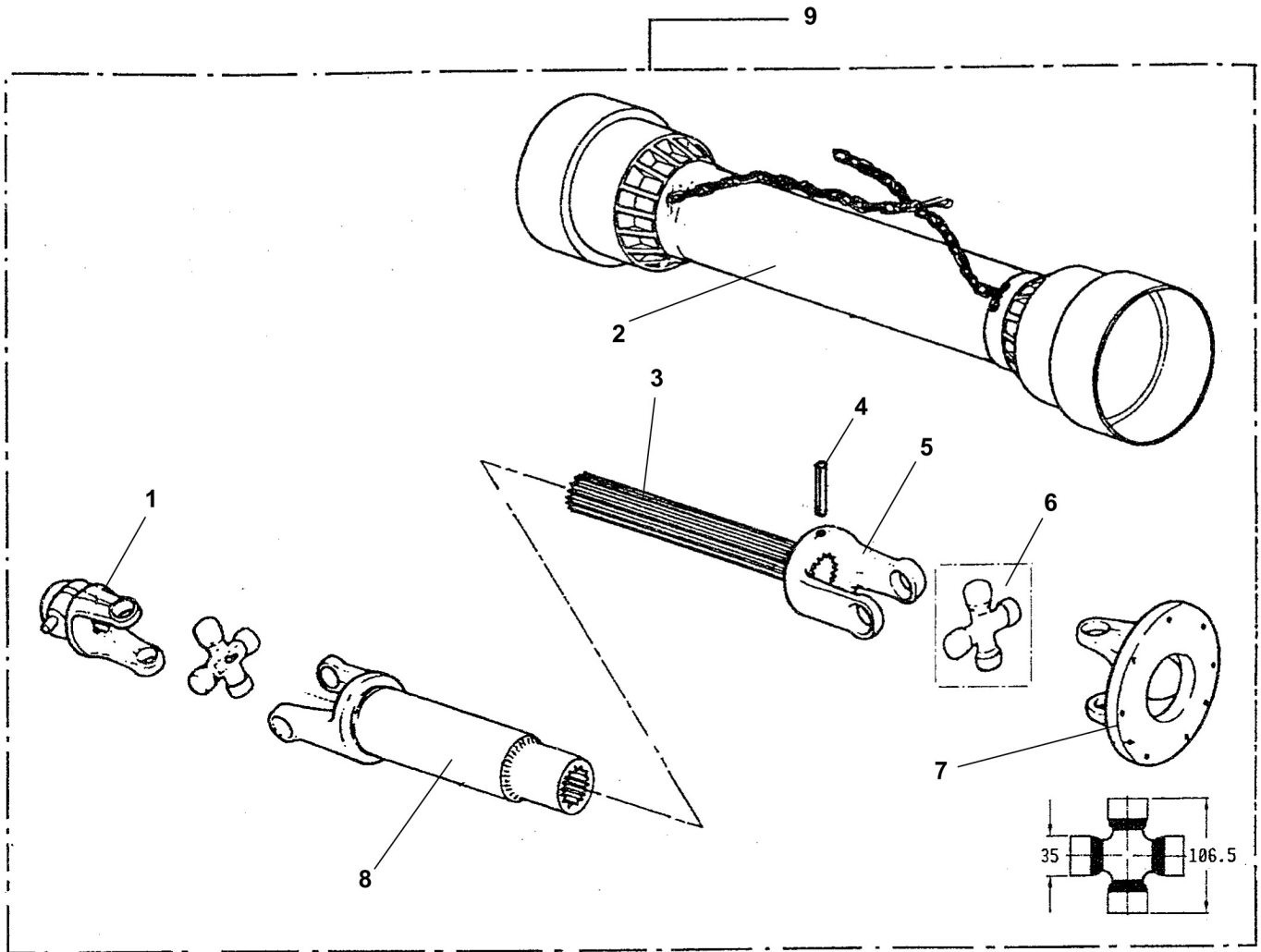


Fig.	Serial nº	Part nº	Pieces	Notes
BONDIOLI & PAVESI Typ 408				
1		204051230	1	1 3/4"-20
1		204051030	1	1 3/6"-6
1		204051050	1	1 3/8"-6
1		204051220	1	1 3/8"-21
2		204055240	1	
3		204053020	1	
3		204053080	1	
4		204052630	1	
5		204052626	1	
6		204056010	1	
7		204056987	1	
8		204052630	1	
9		204057202	1	1 3/8" x 21
10		74966829200	1	
11		308100135	3	
12		301410165	3	
13		71000650345	1	
14		71000653289	1	
15		71000650347	4	
16		301214405	4	
17		209019240	4	
18		74966976100	1	
19		71000650020	1	
20		71000650349	6	
21		308120025	6	
22		307212015	12	
23		71000650346	2	
24		71000653340	1	

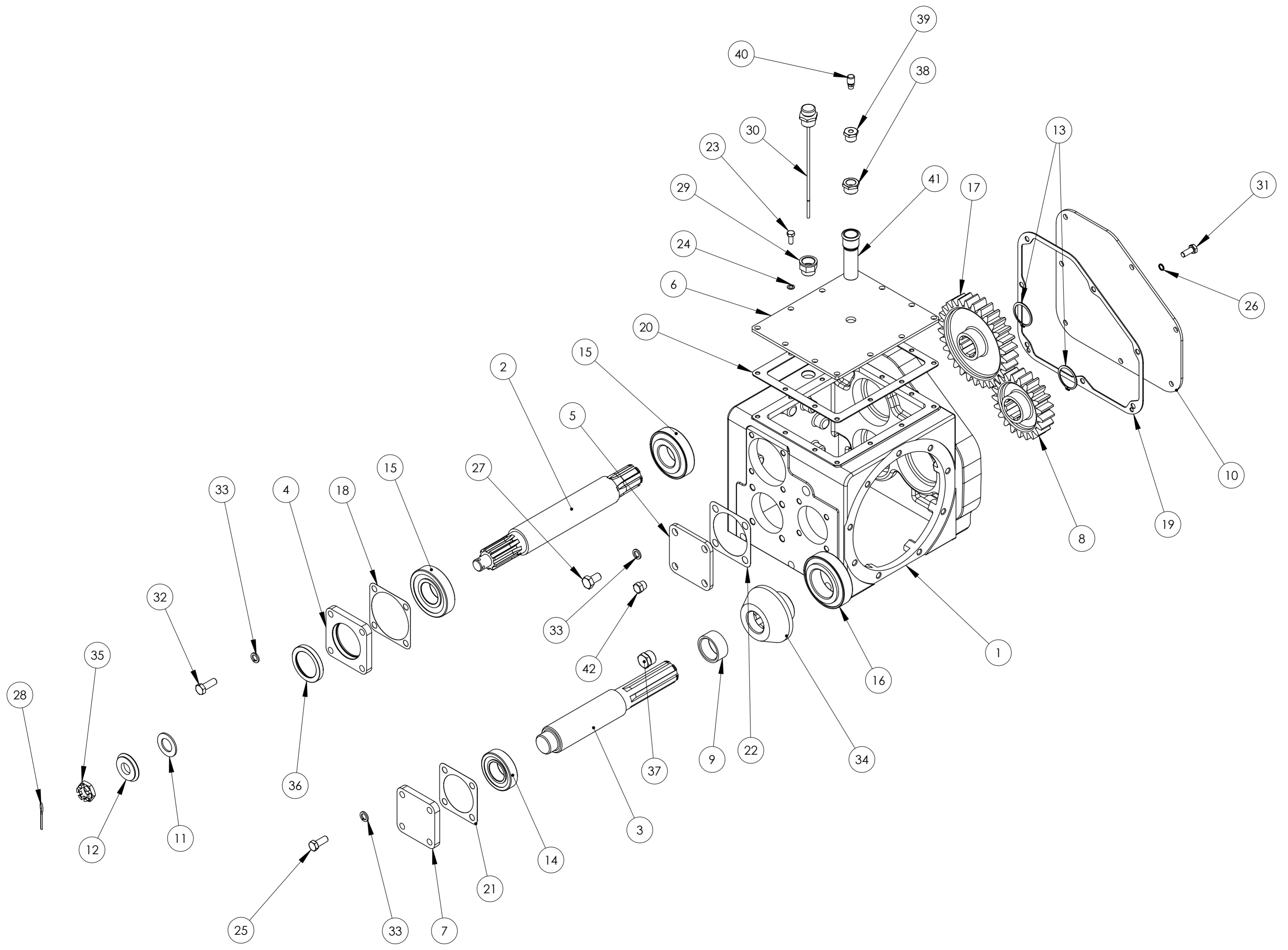


Fig.	Serial nº	Part nº	Pieces	Notes
1		71000652001	1	Gearbox housing
2		71000110435	1	Input shaft
3		71000652020	1	Output shaft
4		71000110436	1	Bearing cover
5		71000110437	1	Closing lid
6		71000110438	1	Top cover
7		71000651018	1	Bearing cover
8		71000652018	1	Gear 21 teeth
9		71000652021	1	Spacer
10		71000652024	1	Gear cover
11		71000652847	1	Input shaft washer
12		71000652848	1	Rubber washer
13		71208002710	2	Circlip 45x1,75
14		71254080251	1	Bearing 32208
15		73254510256	2	Bearing 30309
16		73256011282	1	Bearing 32212
17		71000652019	1	Gear 29 teeth
18		71000652011	1	Gasket 0,1 mm
18		71000652012	1	Gasket 0,25 mm
18		71000652013	1	Gasket 0,5 mm
19		71000652023	1	Gear cover gasket
20		71000652025	1	Top cover gasket
21		71000704161	1	Gasket 0,1 mm
21		71000704162	1	Gasket 0,25 mm
21		71000704163	1	Gasket 0,5 mm
22		71000650036	1	Gasket 0,1 mm
22		71000650037	1	Gasket 0,25 mm
22		71000650038	1	Gasket 0,5 mm
23		71301408200	12	Setscrew M8x20
24		71209019370	12	Fixation washer
25		74301212300	8	Setscrew M12x30
26		71202029410	7	Flat washer
27		74301414250	4	Setscrew M14x25
28		71208010860	1	Split pin
29		74966934800	1	Extention 3/4"
30		71000330046	1	Oil level plug
31		71301410250	7	Setscrew M10x25
32		71301412350	8	Setscrew M12x35
33		71108081440	1	Spring washer
34		71000652022	1	Pinion gear 13 teeth
35		71307624145	1	Slotted nut M24x1,5
36		71267555102	1	Seal 75x55x10
37		71203031200	1	Plug 3/4"
38		74202079387	1	Reduction 3/4" to 1/2"
39		74202079398	1	Reduction 1/2" to 1/8"
40		71203032010	1	Breather 1/8"
41		71202079190	1	Adapter 3/4"
42		71203031180	1	Plug 3/4"

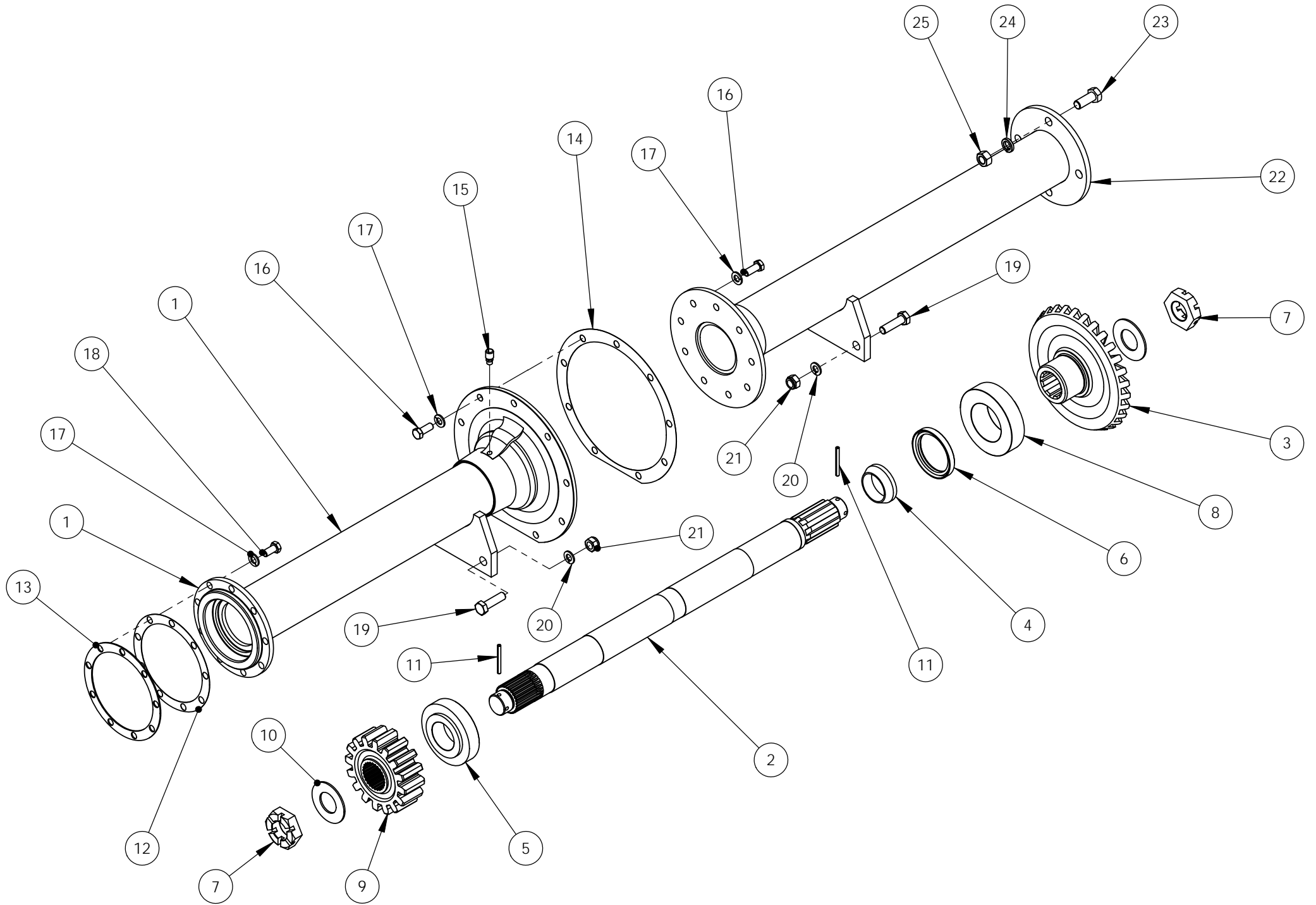


Fig.	Serial nº	Part nº	Pieces	Notes
1		74966913418	1	Jackshaft 180
1		74966913420	1	Jackshaft 205
1		74966913425	1	Jackshaft 255
1		74966913430	1	Jackshaft 305
2		71000109790	1	Shaft 180
2		71000109799	1	Shaft 205
2		71000109801	1	Shaft 255
2		71000109802	1	Shaft 305
3		71000652044	1	Crown wheel
4		71000762142	1	Distance ring
5		71255512316	1	Bearing 30311
6		71269575121	1	Seal 90x60x90
7		71307140140	2	Castellated nut M40x1,5
8		73257513311	1	Bearing 32215
9		71000110279	1	Upper pinion
10		74203026150	2	Belleville
11		74208016120	2	Elastic pin 6x60
12		71000653387	1	Gasket 0,5mm
13		74966888500	1	Spacer jackshaft
14		71000110123	1	Gasket
15		71203032010	1	Breather R1/8"
16		74301212300	18	Bolt M12x30
17		73308120045	27	Spring washer M12
18		74301212250	9	Bolt M12x25
19		71301416405	4	Bolt M16x40
20		71308140045	4	Spring washer M14
21		73307212050	4	Self locking nut M12x1,75
22		74966913618	1	Dummy jackshaft 180
22		74966913620	1	Dummy jackshaft 205
22		74966913625	1	Dummy jackshaft 255
22		74966913630	1	Dummy jackshaft 305
23		71301416405	4	Bolt M16x40
24		71308160045	4	Spring washer M16
25		71307216015	4	Self locking nut M16

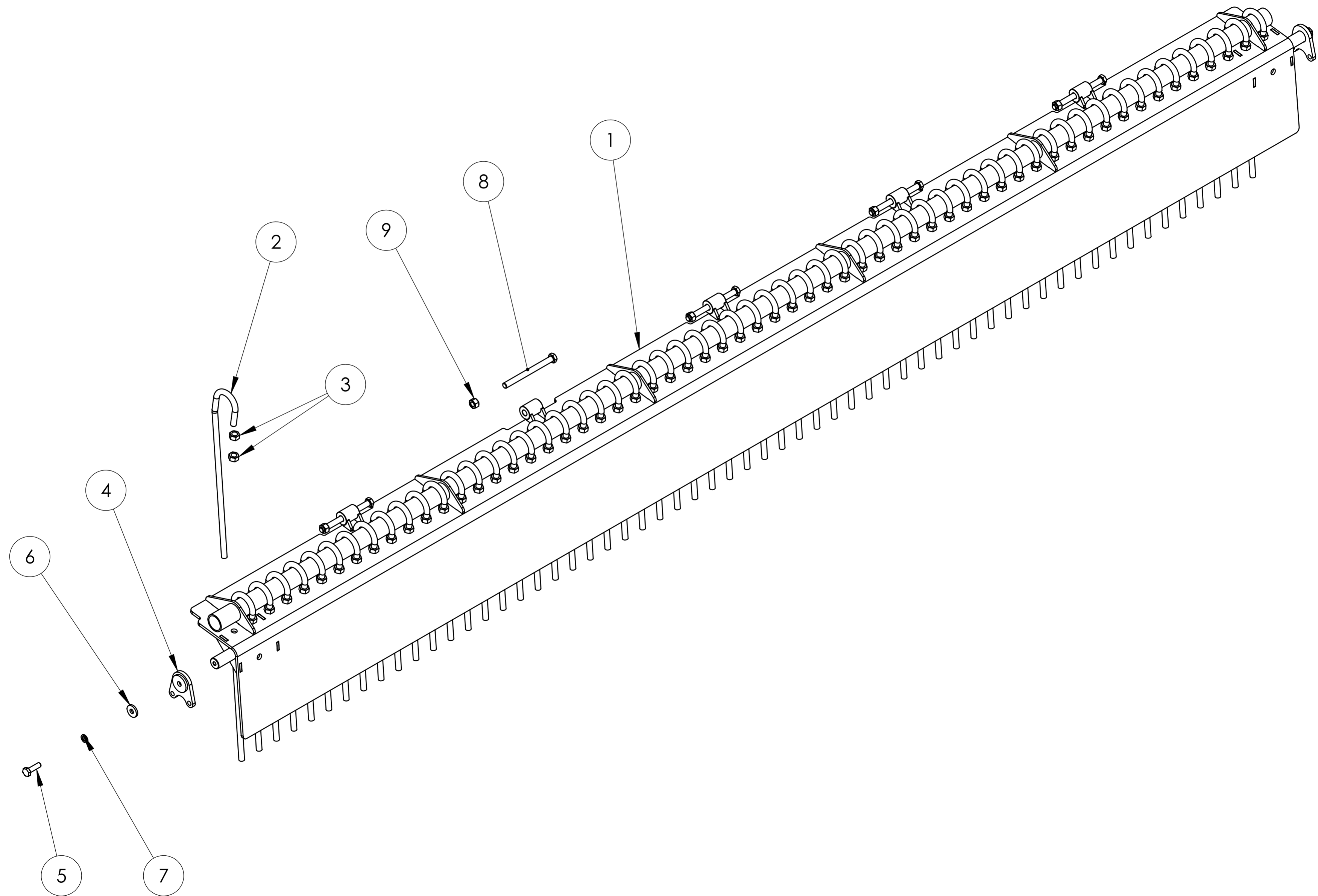


Fig.	Serial nº	Part nº	Pieces	Notes
1		74967043218	1	Spring support 180
1		74967043220	1	Spring support 205
1		74967043225	1	Spring support 255
1		74967043230	1	Spring support 305
2		74967043400	#	Trailing board rib
3		74301212140	#	Nut M12
4		74966938300	2	Spring support
5		71301212500		Bolt M12x50
6		74308100295		Flat washer
7		74108061140		Spring washer M10
8		74301212140		Bolt M12x140
9		73307212050		Self locking nut M12

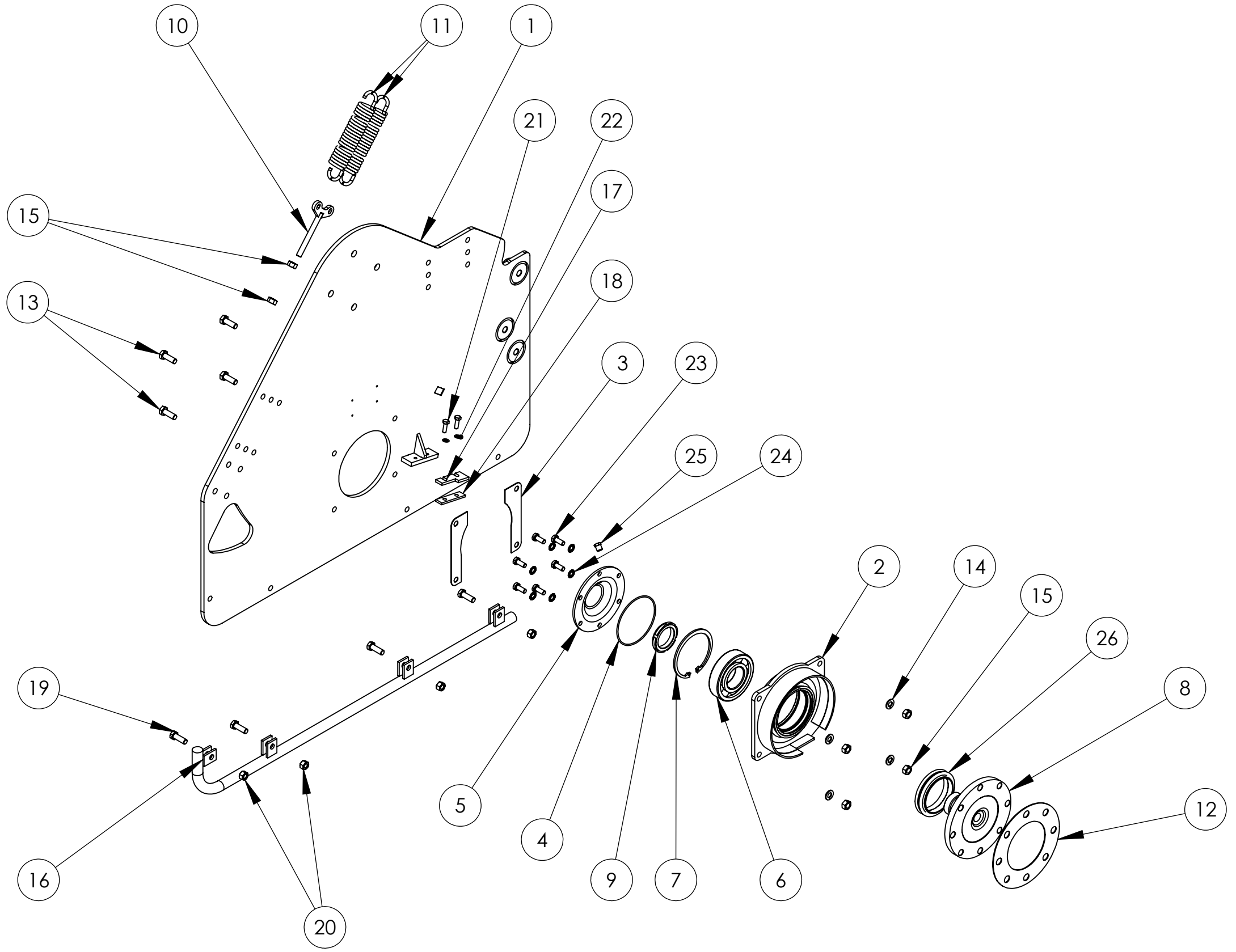


Fig.	Serial nº	Part nº	Pieces	Notes
1		74966935700	1	Side plate
2		71000109654	1	Rotor bearing housing
3		71000109659	2	Compensation plate
4		71202074830	1	O Ring 124x3 mm
5		71000109658	1	Bearing cover
6		71255512291	1	Bearing 6311
7		71208101590	1	Circlip I-120
8		71000109653	1	
9		71208109150	1	Self locking nut M55x2
10		74966938306	1	Trailing board spring's tensor
11		103120018	2	Spring
12		74966888400	1	Spacer
13		71301412350	4	Bolt M12x35
14		73308120045	4	Spring washer M12
15		73307212015	6	Self locking nut M12
16		74966948500	1	Skids
17		71000653322	1	
18		71000653323	1	
19		74301212300	4	Bolt M12x30
20		73307212050	4	Nut M12
21		71301208255	2	Bolt M8x25
22		71308080045	2	Spring washer M8
23		71301410205	6	Setscrew M10x25
24		74108061140	6	Spring washer M10
25		74203031230	1	Plug 1/4"
26		71202078070	1	Face Seal

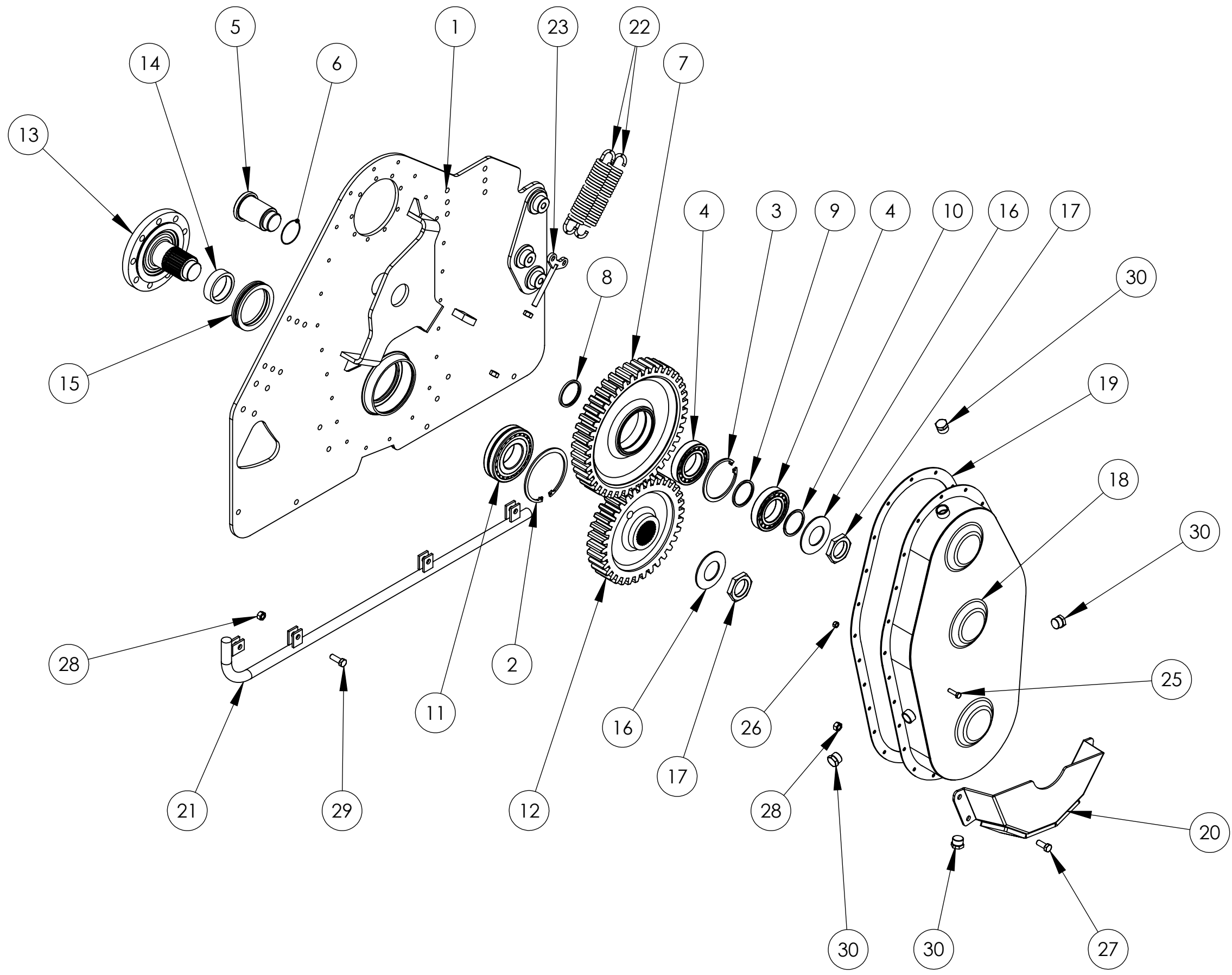


Fig.	Serial nº	Part nº	Pieces	Notes
1		74966935000	1	Side plate
2		71208001570	1	Circlip I-140
3		73208001520	1	Circlip I-110
4		71256011227	2	Bearing NJ212
5		71000653325	1	Spindle
6		73202070950	1	O Ring 60,04x1,78
7		71000652215	1	Central pinion
8		74966903901	1	Spacer
9		74966903902	1	Spacer
10		74966903903	1	Spacer
11		71256514335	1	Bearing 21313CC
12		74966901900	1	Lower pinion
13		71288109665	1	Rotor drive shaft
14		71000109668	1	Spacer
15		71202078071	1	Face seal
16		73203026100	2	Belleville 100x51x3,5
17		71000650018	2	Special nut
18		74966911300	1	Side cover
19		74966915300	1	Joint
20		74966912900	1	Side cover protection
21		74966948500	1	Skids
22		103120018	2	Spring
23		74966938306	1	Trailing board spring's tensor
24		73307212015	2	Nut M12
25		71301408305	24	Bolt M8x30
26		71307208125	20	Self locking nut M8
27		74301212300	4	Bolt M12x30
28		73307212050	4	Self locking nut M12
29		74301212300	4	Bolt M12x30
30		71203031200	4	Plug 3/4"

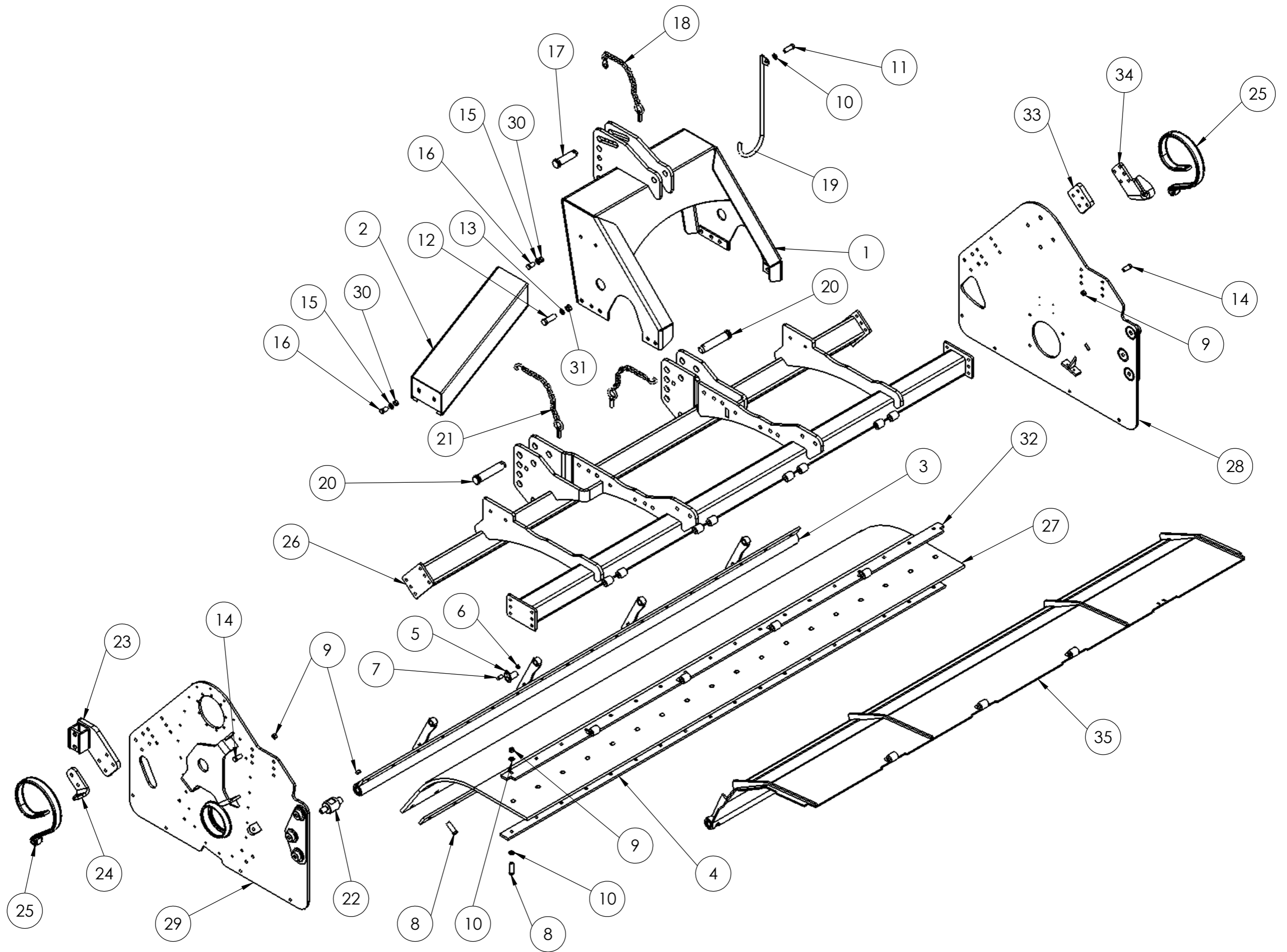


Fig.	Serial nº	Part nº	Pieces	Notes
1		71918925900	1	Top mast
2		71918926400	2	Side wing 205/255
2		71918926401	2	Side wing 355
3		74966937018	1	Front tube
3		74966937020	1	Front tube
3		74966937025	1	Front tube
3		74966937030	1	Front tube
4		74966938518	2	Fixation plate
4		74966938520	2	Fixation plate
4		74966938525	2	Fixation plate
4		74966938530	2	Fixation plate
5		74966938700	4	Pin
6		71307208125	#	Self locking nut M8
7		71301208255	#	Bolt M8x25
8		71301212500	#	Bolt M12x50
9		73307212050	#	Self locking nut M12
10		74308120025	#	Flat washer M12
11		71301212450	#	Bolt M12x45
12		71301216600	10	Bolt M16x60
13		71209019330	10	Spring washer M12
14		74301212300	10	Bolt M12x30
15		73308120045	#	Spring washer M12
16		74301212300	#	Bolt M12x30
17		71000653321	1	Pin
18		74966887500	1	Chain link pin
19		71000109785	1	
20		71000653320	2	Pin
21		71000109959	2	Chain link pin
22		74966987400	2	
23		74966939800	1	Skimmer support
23		74966939801	1	Skimmer support
24		74966982800	1	Spring support
24		74966982801	1	Spring support
25		104000004	2	Spring
26		74966935218	1	Frame
26		74966935220	1	Frame
26		74966935225	1	Frame
26		74966935230	1	Frame
27		74966936518	1	Hull
27		74966936520	1	Hull
27		74966936525	1	Hull
27		74966936530	1	Hull
28		74966935700	1	Side plate
29		74966935000	1	Side plate
30		73307212050	#	Nut M12
31		74307212015	10	Nut M12
32		74967044718	1	Hull support hinge
32		74967044720	1	Hull support hinge
32		74967044725	1	Hull support hinge

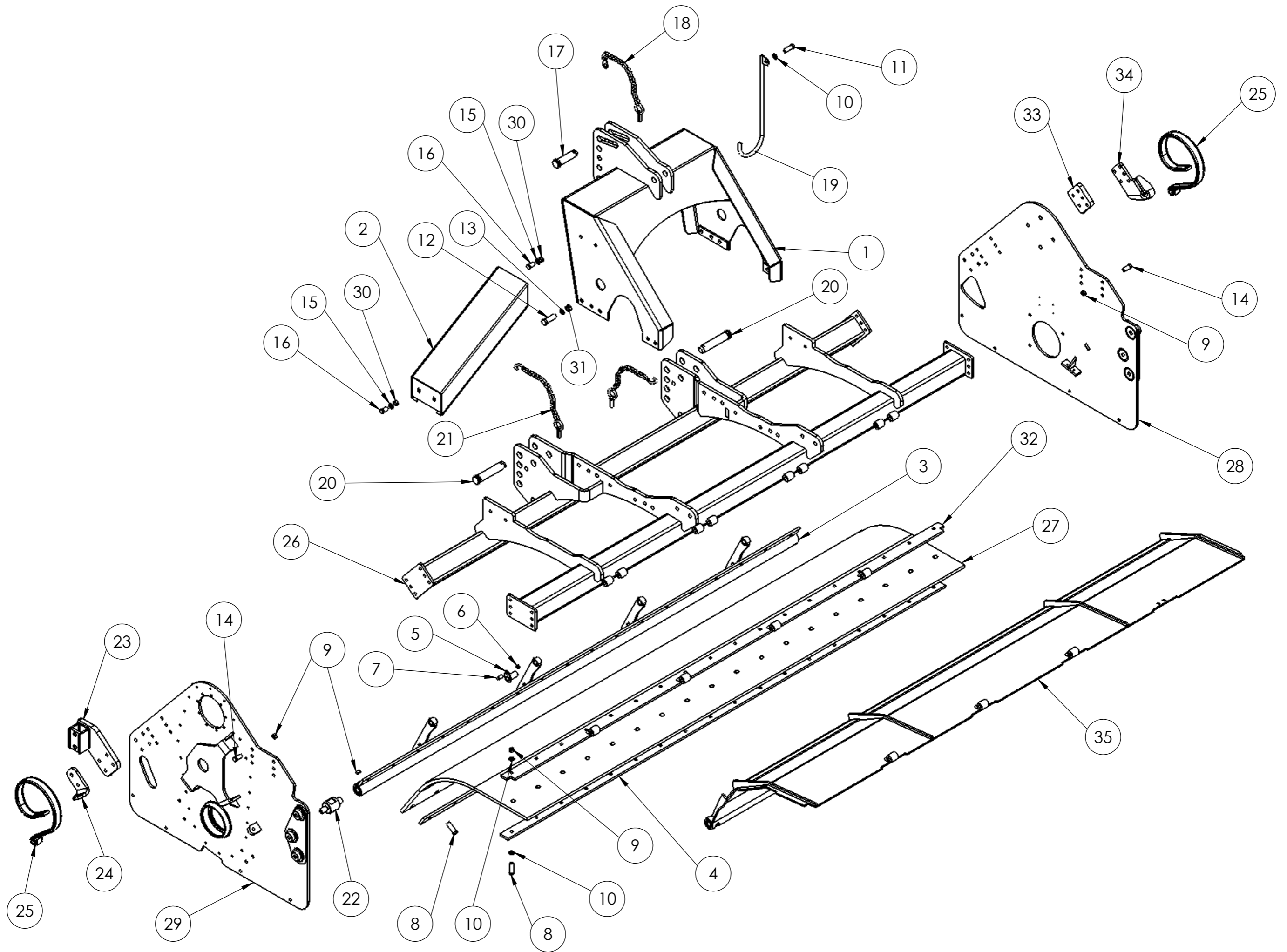
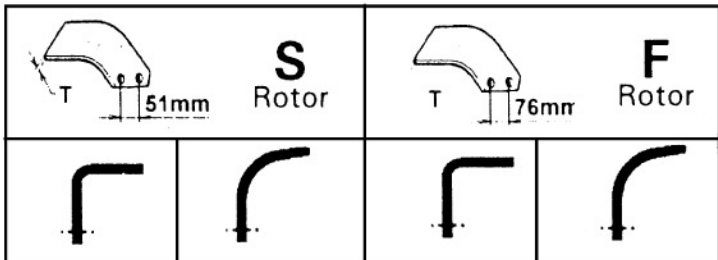


Fig.	Serial nº	Part nº	Pieces	Notes
32		74967044730	1	Hull support hinge
33		74967047800	2	Spacer
34		74966982810	1	Spring support
34		74966982811	1	Spring support
35		74967042918	1	Metallic hull
35		74967042920	1	Metallic hull
35		74967042925	1	Metallic hull
35		74967042930	1	Metallic hull



Tnm	10	10	8	8	180	205	230	255	280	305	355	405
◀	9862	9950	762719	109343	x 21	x 24	x 27	x 30	x 33	x 36	x 42	x 48
▶	9863	9951	762720	109344	x 21	x 24	x 27	x 30	x 33	x 36	x 42	x 48

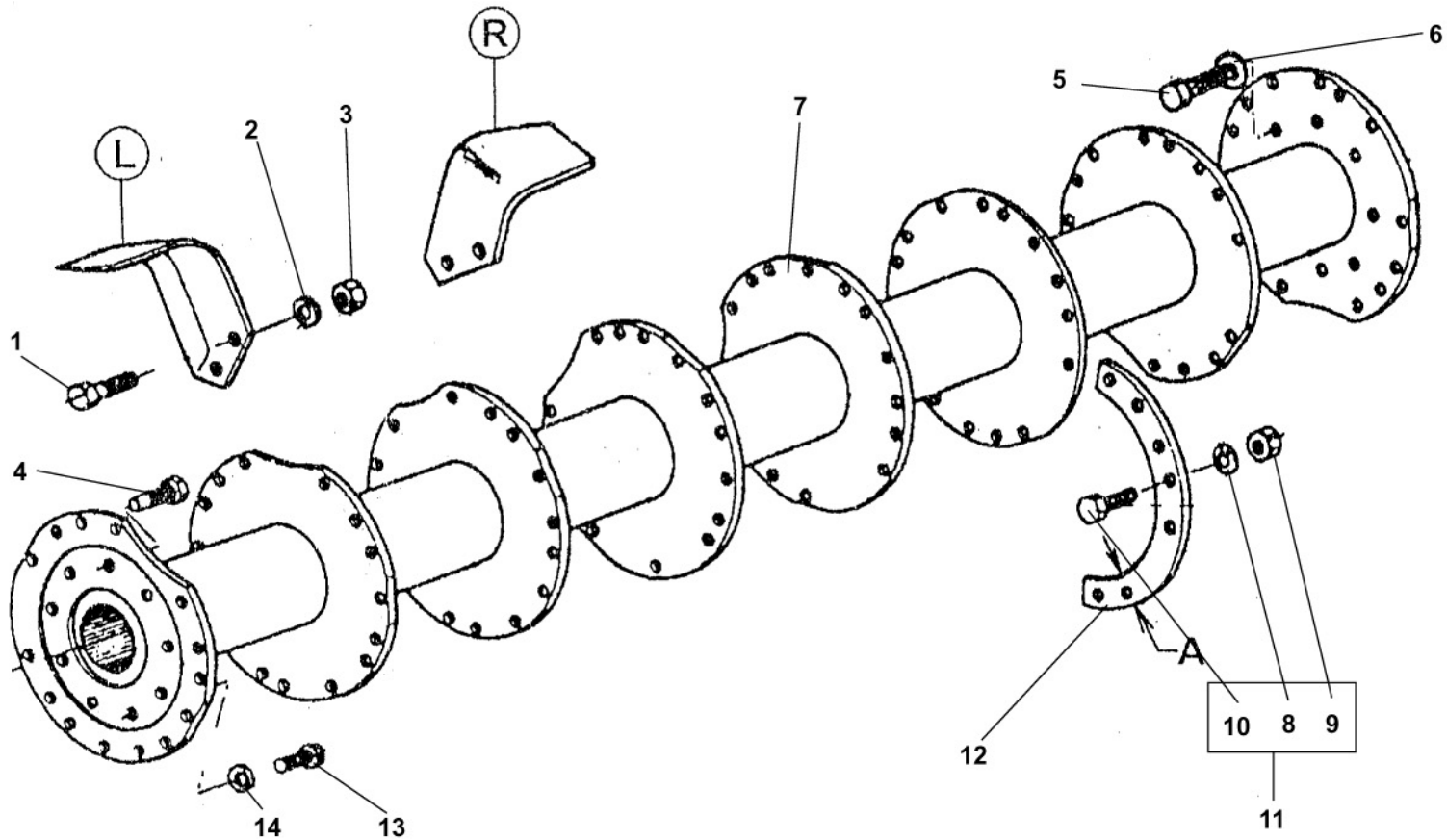


Fig.	Serial nº	Part nº	Pieces	Notes
1		71000762130	#	Bolt blade F
1		71208056999	#	Bolt blade S
2		71308160045	#	Spring washer M16
3		71208056470	#	Nut M16 grade 12
4		71000762013	#	Special Bolt
5		71301116355	8	Bolt fine M16 x 35 mm
6		71308160045	8	Spring washer M16
7		71000653378R	1	Rotor S 180
7		71000653376R	1	Rotor S 205
7		71000653374R	1	Rotor S 230
7		71000653369R	1	Rotor S 255
7		71000110431R	1	Rotor S 280
7		71000653250R	1	Rotor S 305
7		71000653652R	1	Rotor F 180
7		71000653653R	1	Rotor F 205
7		71000653655R	1	Rotor F 230
7		71000653656R	1	Rotor F 255
7		71000110432R	1	Rotor F 280
7		71000653657R	1	Rotor F 305
7		74966914818R	1	Rotor S 180 Open
7		74966914820R	1	Rotor S 205 Open
7		74966914823R	1	Rotor S 230 Open
7		74966914825R	1	Rotor S 255 Open
7		74966914828R	1	Rotor S 280 Open
7		74966914830R	1	Rotor S 305 Open
7		74966915018R	1	Rotor F 180 Open
7		74966915020R	1	Rotor F 205 Open
7		74966915023R	1	Rotor F 230 Open
7		74966915025R	1	Rotor F 255 Open
7		74966915028R	1	Rotor F 280 Open
7		74966915030R	1	Rotor F 305 Open
7		74967044618	1	Rotor S 180 Hardox 400
7		74967044620	1	Rotor S 205 Hardox 400
7		74967044625	1	Rotor S 255 Hardox 400
7		74967044630	1	Rotor S 305 Hardox 400
8		71308160045	1	Spring washer M16
9		71208056470	1	Nut M16 grade 12
10		71000652232	1	Bolt M16 x 55 x 1,5 DACROMET
11		71000652231	#	Bolt M16 x 1,5 x 55 assembly
12		71000109582R	#	Rotor S
12		71000652230R	#	Rotor F
13		71208056390	8	Bolt M16 x 40 mm
14		71308160045	17	Spring washer M16

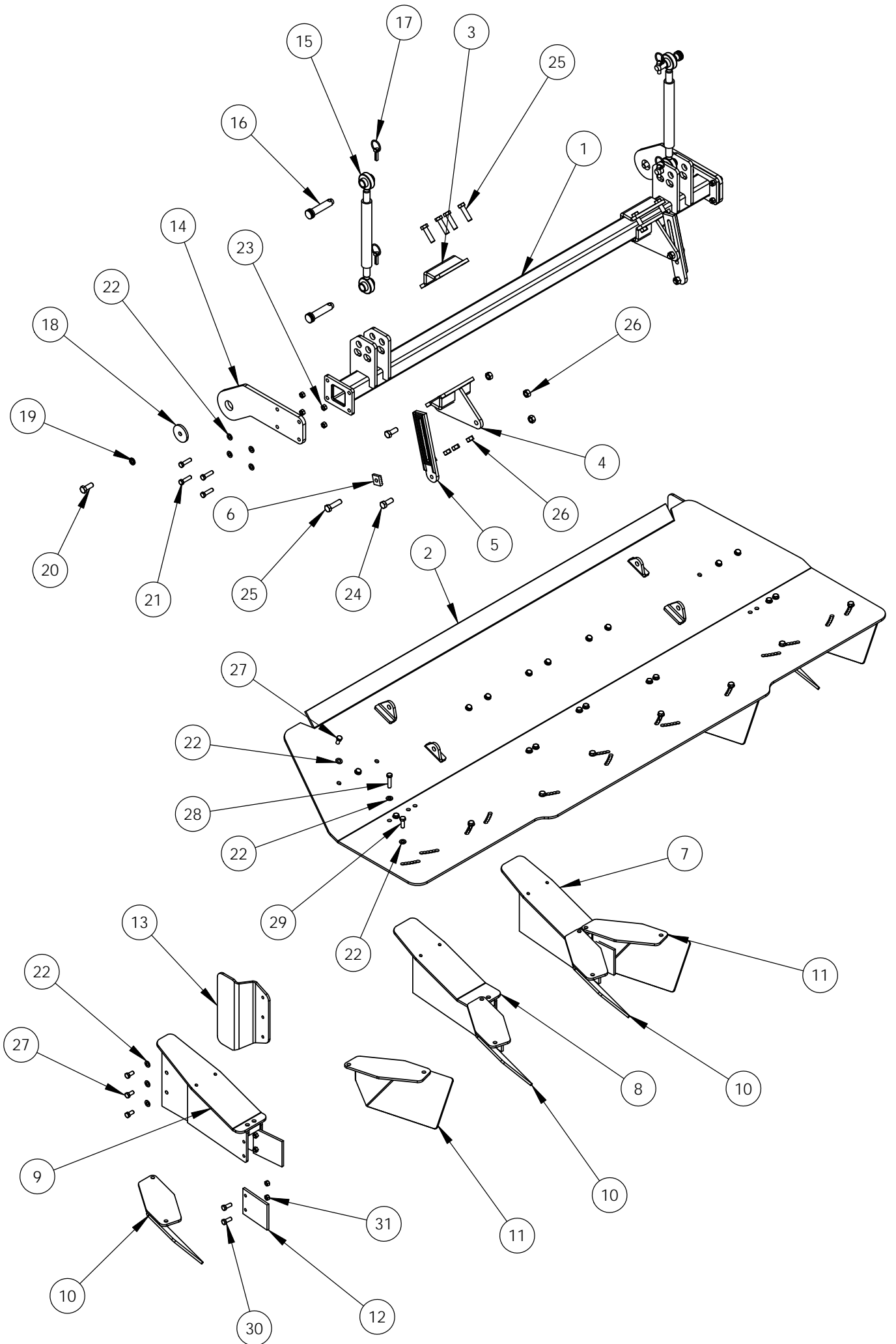


Fig.	Serial nº	Part nº	Pieces	Notes
1		74966938618	1	Union tube 180
1		74966938620	1	Union tube 205
1		74966938625	1	Union tube 255
1		74966938630	1	Union tube 305
2		74966961800	1	Furrower
3		74966853300	4	
4		74966900900	2	
5		74562050476	2	
6		74562050477	2	
7		74966963700	1	
8		74966963701	2	
9		74966962901	2	
10		74966961900	4	
11		74966962000	4	
12		74966972900	8	
13		74966962800	2	
14		74966972800	2	Furrower arm
15		74966904800	2	
16		71000653321	4	
17		74000060495	4	
18		74966911900	2	
19		71108101740	2	
20		71208056390	2	
21		71301212450	8	
22		74308120025	42	
23		73307212050	8	
24		73301216405	4	
25		71301216600	10	
26		73307216050	14	
27		74301212250	16	
28		71301212500	10	
29		71301412350	8	
30		74301212300	16	
31		73307210050	16	

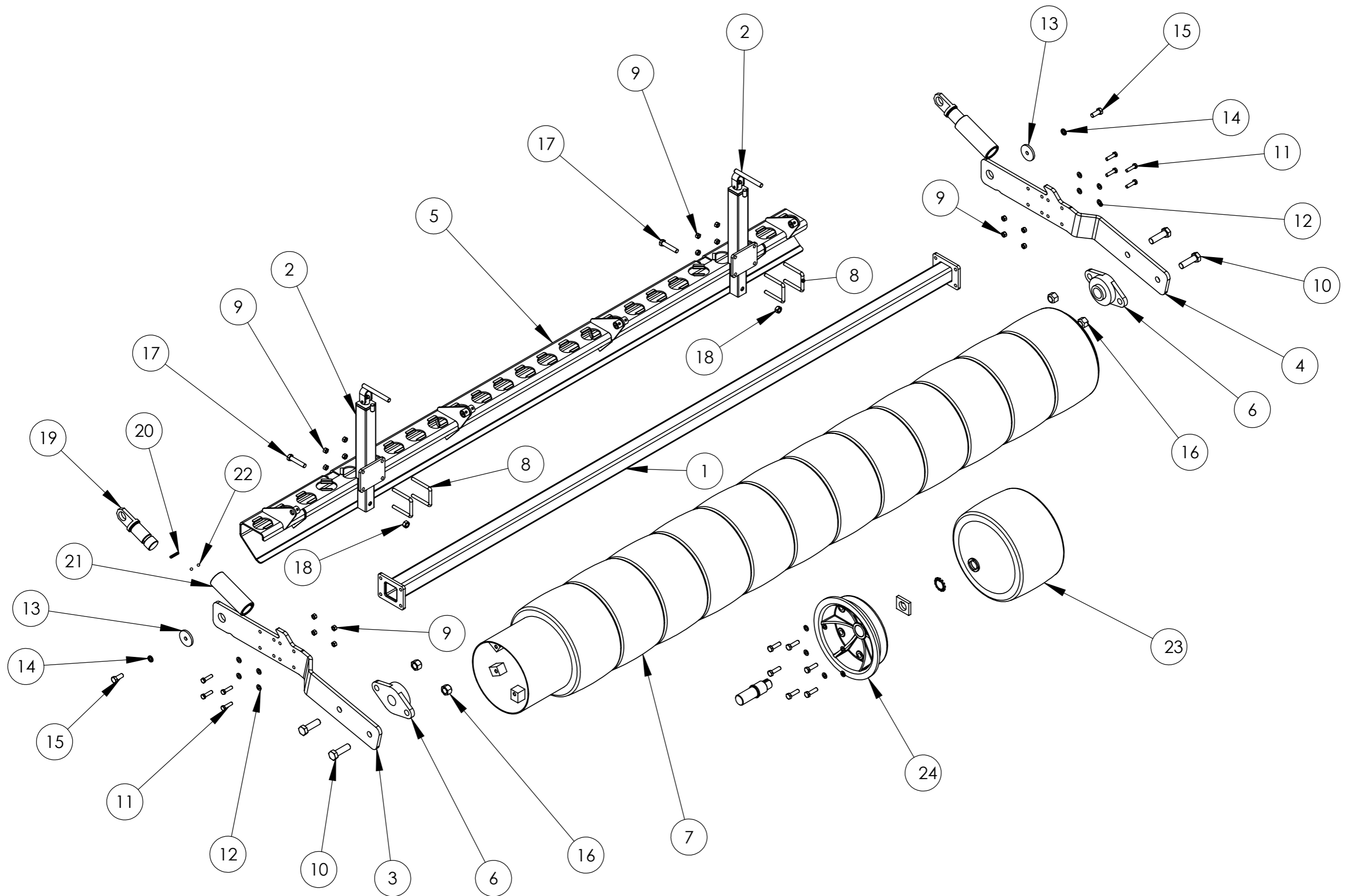


Fig.	Serial nº	Part nº	Pieces	Notes
1		74966938618	1	Union tube 180
1		74966938620	1	Union tube 205
1		74966938625	1	Union tube 255
1		74966938630	1	Union tube 305
2		74966894010	2	Screw spindle
3		74966984626	1	Rubber roller arm LH
4		74966984627	1	Rubber roller arm RH
5		74966938018	1	Blade 180
5		74966938020	1	Blade 205
5		74967000425	1	Blade 255
5		74967000430	1	Blade 305
6		74254517700	2	Bearing UCFL 309 SB
7		74966982418	1	Rubber roller 180
7		74966982420	1	Rubber roller 205
7		74966982424	1	Rubber roller 255
7		74966982426	1	Rubber roller 305
8		71208007948	4	U-bolt M12
9		73307212050	16	Selflocking nut M12x1,75
10		71301224800	4	Bolt M24x80
11		71301212450	8	Bolt M12x45
12		74308120025	8	Flat washer
13		74966911900	2	Special washer
14		71108101740	2	Spring washer
15		71208056390	2	Bolt M16x40
16		71307224050	4	Selflocking nut M24
17		71301216805	2	Bolt M16x80
18		73307216050	2	Nut M16
19		74967019610	2	Adjustment screw
20		74967019910	2	Spring
21		74967019700	2	Limit nut
22		71250010001	4	Ball Ø10
23		74966982525	#	Tyre 250 mm.
24		74966982600	2	End plate

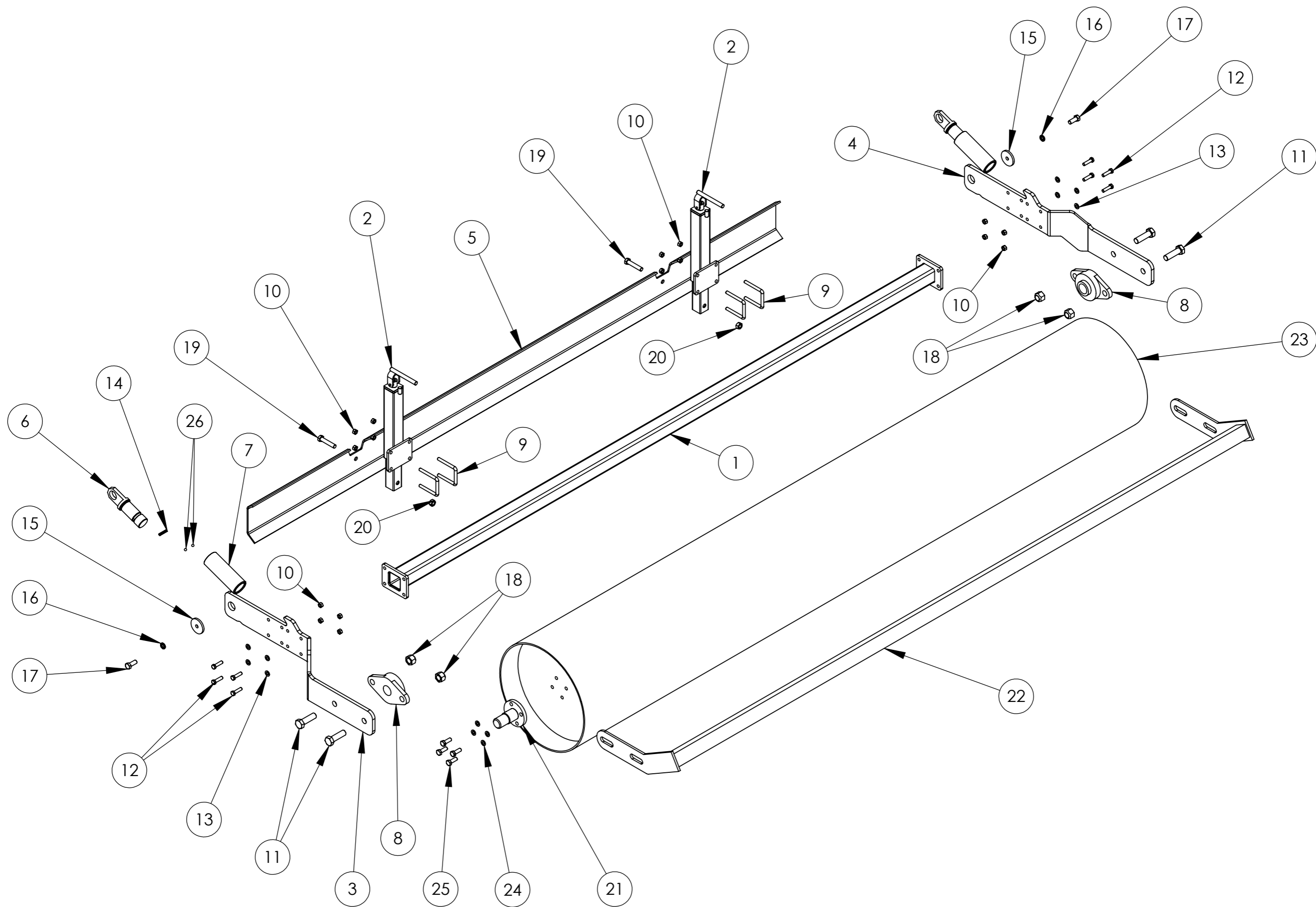


Fig.	Serial nº	Part nº	Pieces	Notes
1		74966938618	1	Union tube 180
1		74966938620	1	Union tube 205
1		74966938625	1	Union tube 255
1		74966938630	1	Union tube 305
2		74966894010	2	Screw spindle
3		74966937602	1	Roller arm LH
4		74966937603	1	Roller arm RH
5		74966938018	1	Blade 180
5		74966938020	1	Blade 205
5		74967000425	1	Blade 255
5		74967000430	1	Blade 305
6		74967019610	2	Adjustment screw
7		74967019700	2	Limit nut
8		74254517700	2	Bearing UCFL 309 SB
9		71208007948	4	U bolt
10		73307212050	16	Selflocking nut M12x1,75
11		71301224800	4	Bolt M24x80
12		71301212450	8	Bolt M12x45
13		74308120025	8	Flat washer
14		74967019910	2	Spring
15		74966911900	2	Special washer
16		71108101740	2	Spring washer
17		71208056390	2	Bolt M16x40
18		71307224050	4	Selflocking nut M24
19		71301216805	2	Bolt M16x80
20		73307216050	2	Nut M16
21		74966867500	2	Roller stub axle
22		74966871070	1	Scraper 180
22		74966871071	1	Scraper 205
22		74966871072	1	Scraper 255
22		74966871073	1	Scraper 305
23		74966870870	1	Roller 180
23		74966870871	1	Roller 205
23		74966870872	1	Roller 255
23		74966870873	1	Roller 305
24		71308140040	8	Spring washer
25		71301212400	8	Bolt M12x40
26		71250010001	4	Ball Ø10

