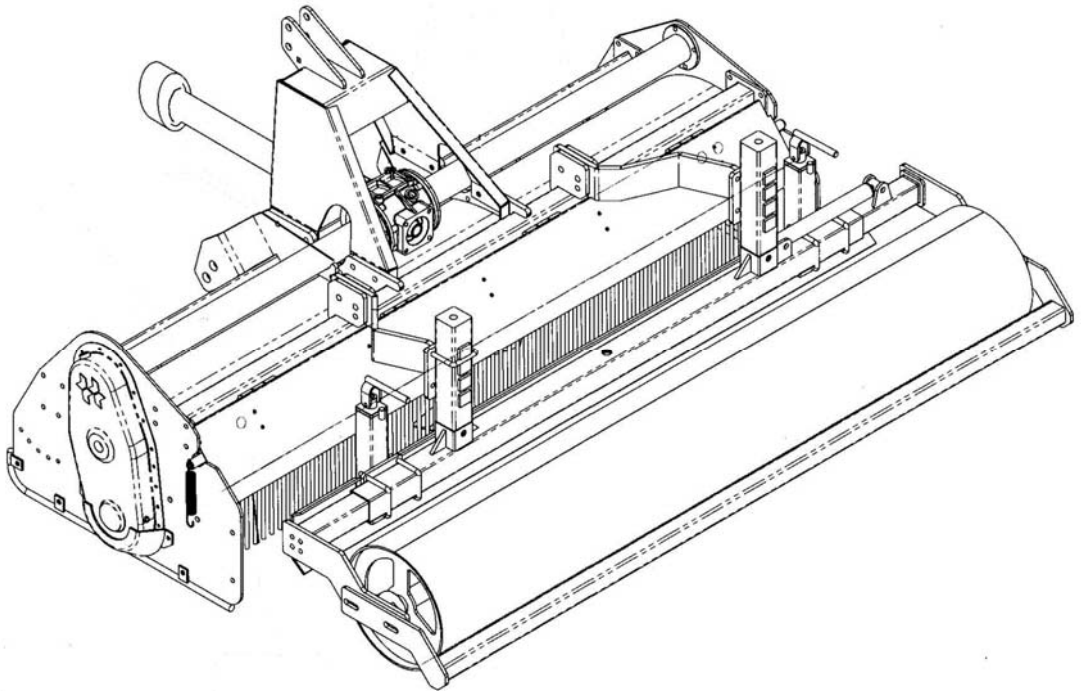


**STONEBURIER ST 400**

- Ⓚ Reservedelsliste
- Ⓒ Spare parts list
- Ⓓ Ersatzteilliste
- Ⓝ Onderdelenlijst
- Ⓕ Liste de pièce de rechange
- Ⓔ Lista de Piezas
- Ⓘ Parti di ricambio

# ST400

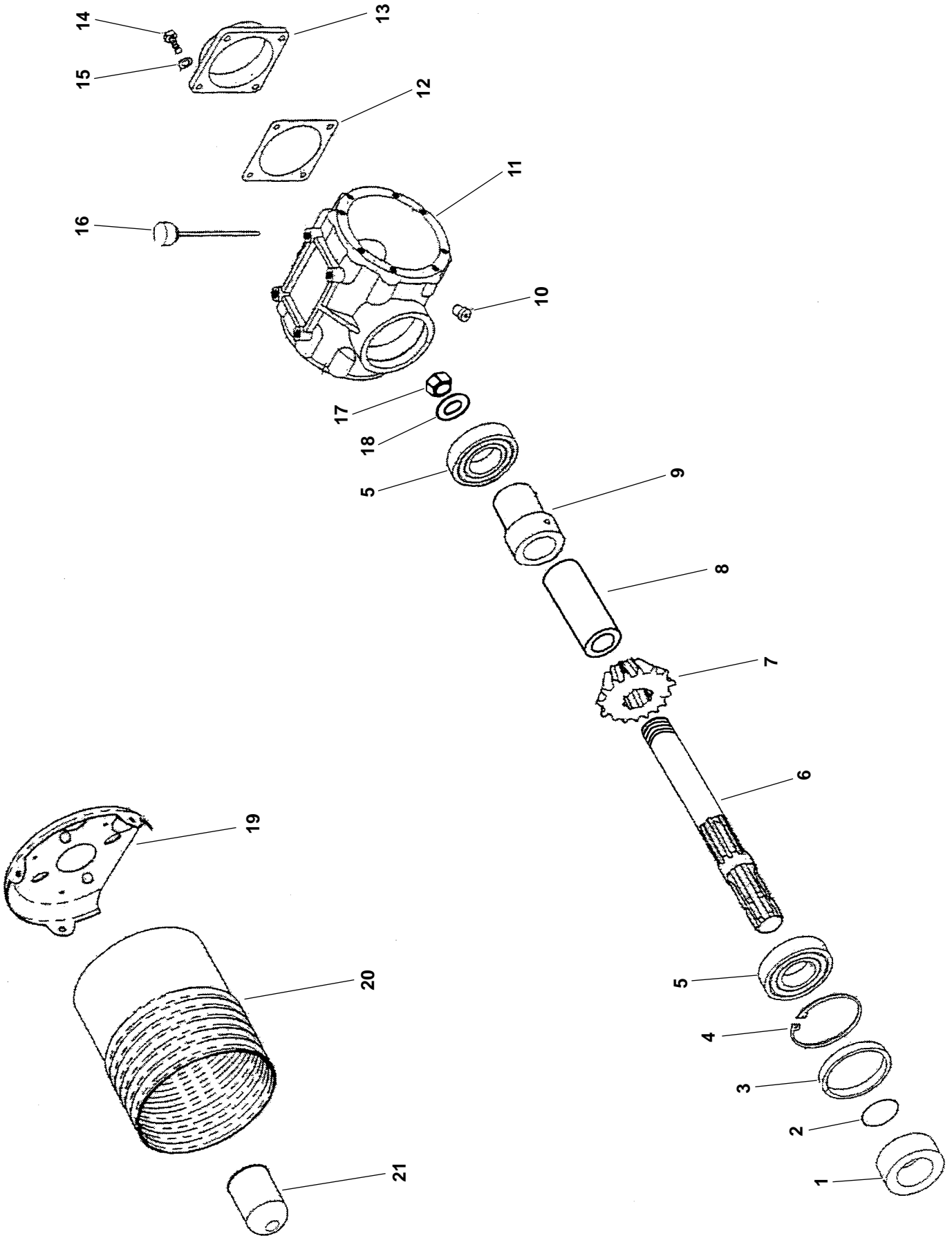


Fig.	Serial n°	Part n°	Pieces	Notes
1		74 000665073	1	
2		202 070 530	1	O'ring 40 x 48 x 4 mm
3		268 060 102	1	Seal 80 x 60 x 10 mm
4		208 001 320	1	Circlip I-80
5		254 080 201	2	Bearing # 30208
6		74 000665072	1	
7		74 9668973 00	1	Z = 15
8		74 000665076	1	
9		74 000665075	1	
10		203 031 232	1	Plug 1/4"
11		74 000666671R	1	
12		74 000328071	1	
13		74 000328069R	1	
14		301 210 250	4	Bolt M10 x 25 mm
15		108 061 140	4	Spring washer M10
16		74 000649854	1	
17		74 000665062	1	Special nut
18		203 026 130	1	Belleville
19		74 9668293 00	1	
20		74 9668291 00	1	
21		202 040 590	1	

# ST400

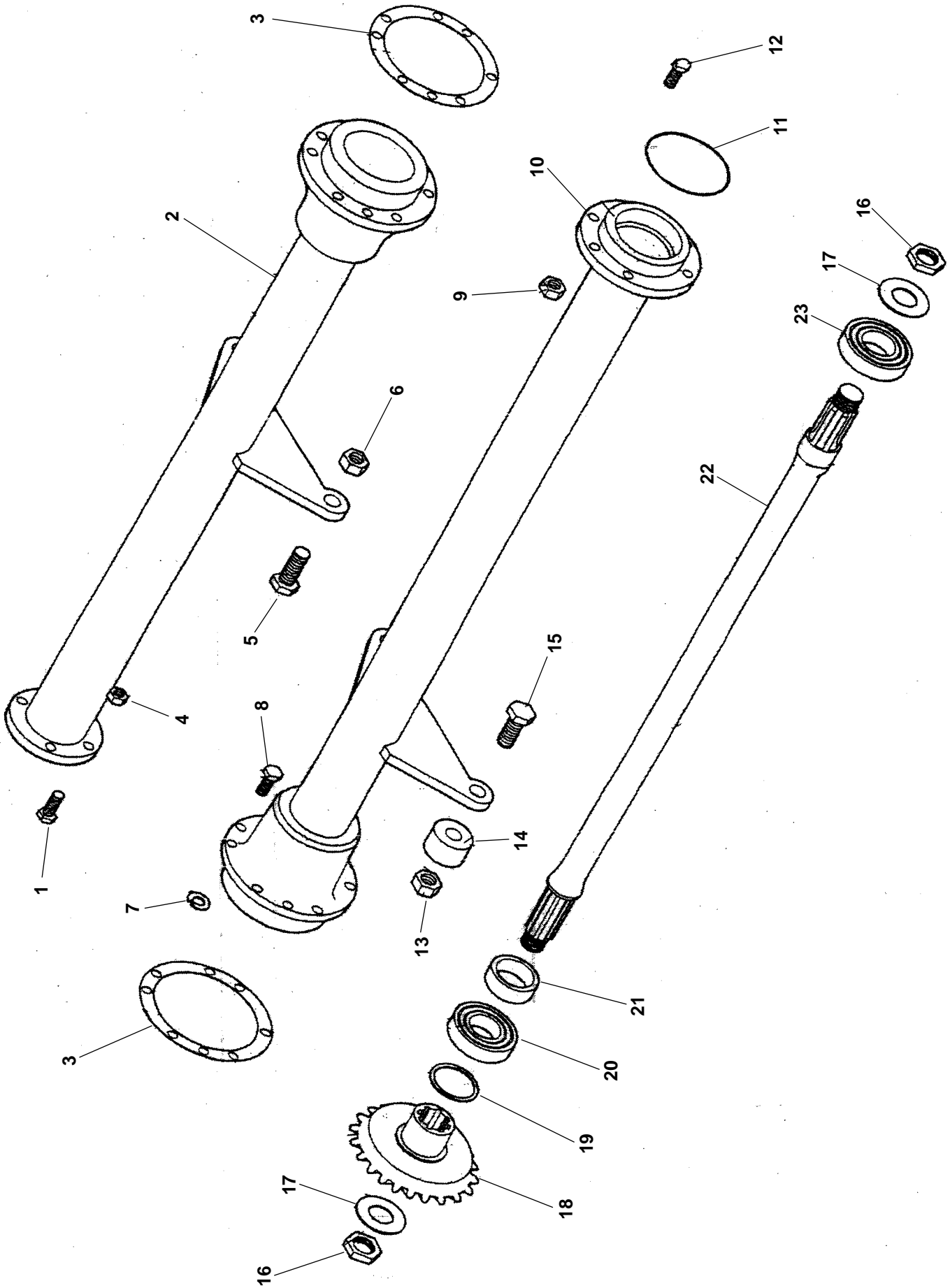


Fig.	Serial nº	Part nº	Pieces	Notes
1		301 210 250	4	Bolt M10 x 25mm
2		74 9668906 13 R	1	130
2		74 9668906 15 R	1	155
2		74 9668906 16 R	1	165
2		74 9668906 18 R	1	180
2		74 9668906 20 R	1	205
3		74 000061021	#	
4		307 210 050	4	Self locking nut M10
5		301 212 450	2	Bolt M12 x 45mm
6		307 212 450	2	Self locking nut M12
7		108 061 140	16	Spring washer M10
8		301 210 250	16	Bolt M10 x 25mm
9		307 210 050	6	Self locking nut M10
10		74 9668905 13 R	1	130
10		74 9668905 15 R	1	155
10		74 9668905 16 R	1	165
10		74 9668905 18 R	1	180
10		74 9668905 20 R	1	205
11		202 072 550	1	O'ring 97 x 105 x 4mm
12		301 210 250	6	Bolt M10 x 25mm
13		307 212 050	2	Self locking nut M12
14		74 000665892	2	
15		301 212 600	2	Bolt M12 x 60mm
16		74 000640114	2	Special nut
17		203 026 020	2	Belleville
18		74 000667800	1	Z = 22
19		267 055 081	1	Seal 70 x 55 x 8mm
20		255 510 231	1	Bearing #30211
21		74 000640115	1	
22		74 000665922	1	130
22		74 000665924	1	155
22		74 000665925	1	165
22		74 000665926	1	180
22		74 000665928	1	205
23		254 090 251	1	Bearing #30308

# ST400

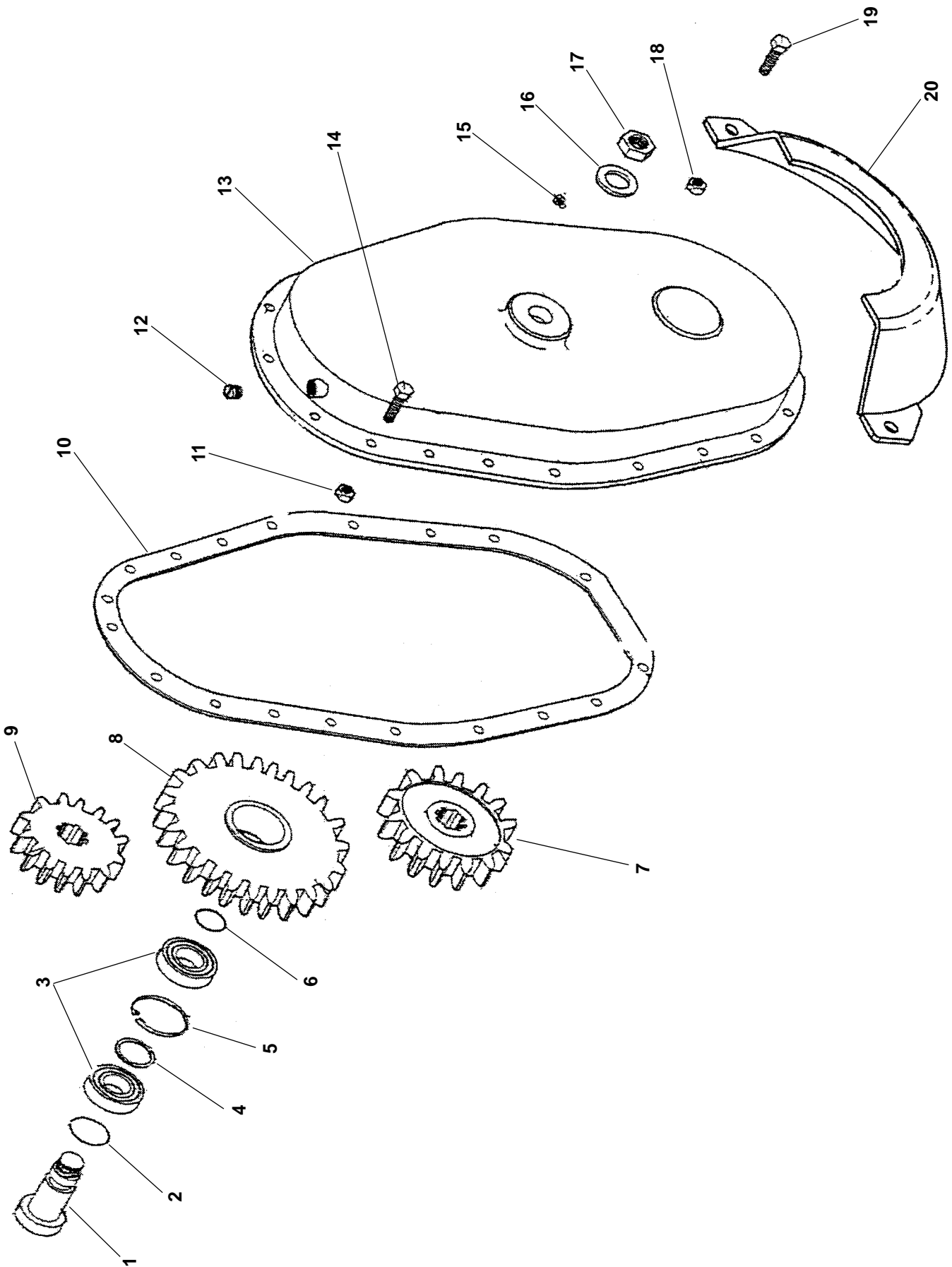


Fig.	Serial nº	Part nº	Pieces	Notes
1		74 000640954	1	
2		202 070 530	1	O'ring 40 x 48 x 4 mm
3		254 080 201	2	Bearing # 30208
4		74 000640955	1	
5		208 001 320	1	Circlip I-80
6		202 074 710	1	O'ring 24 x 32 x 4 mm
7		74 000061081	1	
8		74 000069724	1	
9		74 000640623	1	
10		74 000665171	1	
11		307 208 050	18	Self locking nut M8
12		203 031 190	1	Plug 1/2"
13		74 000665815 R	1	
14		301 208 250	18	Bolt M8 x 25 mm
15		203 031 160	1	Plug 1/8"
16		203 026 020	1	Belleville
17		74 000640114	1	Special nut
18		307 210 050	2	Self locking nut M10
19		301 210 200	2	Bolt M10 x 20 mm
20		74 9668969 00 V	1	

# ST400

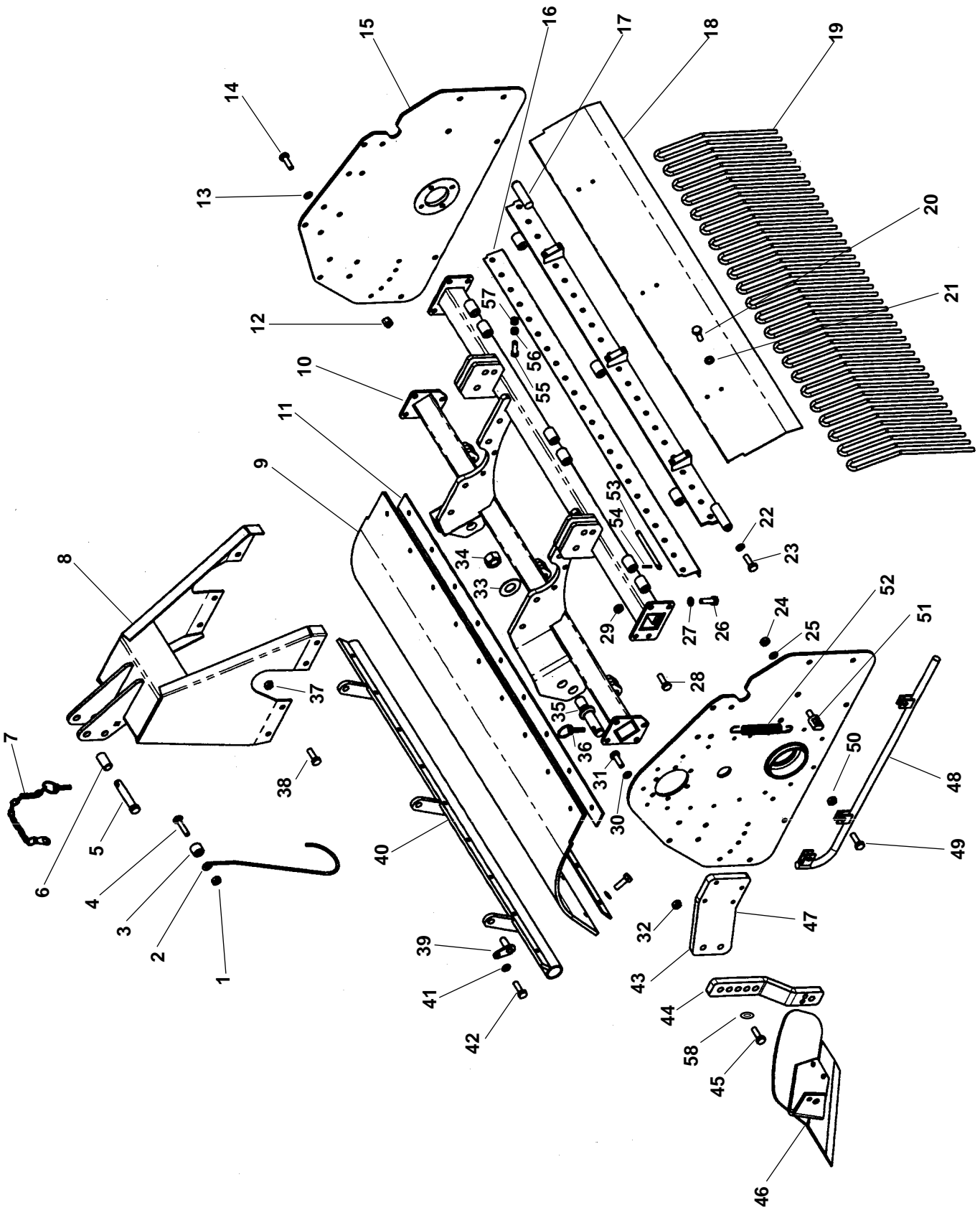




Fig.	Serial nº	Part nº	Pieces	Notes
1		307 212 050	1	Self locking nut M12
2		74 9668750 00	1	
3		74 9668751 00	1	
4		301 212 555	1	Bolt M12 x 55mm
5		74 000065566	1	
6		74 000065577	1	
7		74 9668875 00	1	
8		74 9668455 00 R	1	
9		74 9668926 13	1	130
9		74 9668926 15	1	155
9		74 9668926 16	1	165
9		74 9668926 18	1	180
9		74 9668926 20	1	205
10		74 9668900 13 R	1	130
10		74 9668900 15 R	1	155
10		74 9668900 16 R	1	165
10		74 9668900 18 R	1	180
10		74 9668900 20 R	1	205
11		74 9669014 13	2	130
11		74 9669014 15	2	155
11		74 9669014 16	2	165
11		74 9669014 18	2	180
11		74 9669014 20	2	205
12		74 9668964 00 R	4	
13		308 100 045	4	Spring washer M10
14		301 210 250	4	Bolt M10 x 25mm
15		74 9668959 00 R	1	
16		74 9668913 13	1	130
16		74 9668913 15	1	155
16		74 9668913 16	1	165
16		74 9668913 18	1	180
16		74 9668913 20	1	205
17		74 9668912 13	1	130
17		74 9668912 15	1	155
17		74 9668912 16	1	165
17		74 9668912 18	1	180
17		74 9668912 20	1	205
18		74 9668918 13	1	130
18		74 9668918 15	1	155
18		74 9668918 16	1	165
18		74 9668918 18	1	180
18		74 9668918 20	1	205
19		74 9668916 00	#	
20		301 408 200	#	Bolt M8 x 20mm
21		308 080 020	#	Flat washer M8
22		308 080 020	2	Flat washer M8
23		301 408 200	2	Bolt M8 x 20mm
24		308 140 040	2	Spring washer M14
25		307 214 125	2	Nut M14
26		301 210 250	#	Bolt M10 x 25mm
27		308 100 045	#	Spring washer M10
28		301 412 205	12	Bolt M12 x 25mm
29		307 212 125	12	Self lockng nut M12
30		308 120 040	4	Spring washer M12
31		301 412 250	4	Bolt M12 x 25mm
32		208 056 470	4	Self locking nut M16
33		74 308270045	2	Spring washer M27
34		74 307627015	2	Nut M27
35		74 9669016 00	2	
36		74 000060495	2	
37		307 212 050	8	Self locking nut M12
38		301 412 355	8	Bolt M12 x 35mm
39		74 9669001 00	#	
40		74 9668922 13	1	130
40		74 9668922 15	1	155
40		74 9668922 16	1	165
40		74 9668922 18	1	180
40		74 9668922 20	1	205
41		308 100 045	#	Spring washer M10
42		301 210 250	#	Bolt M10 x 25mm
43		74 9669002 00	1	
44		74 9669003 00	1	
45		301 116 500	4	Bolt M16 x 50mm
46		1659826150	1	
46		1659826050	1	

# ST400

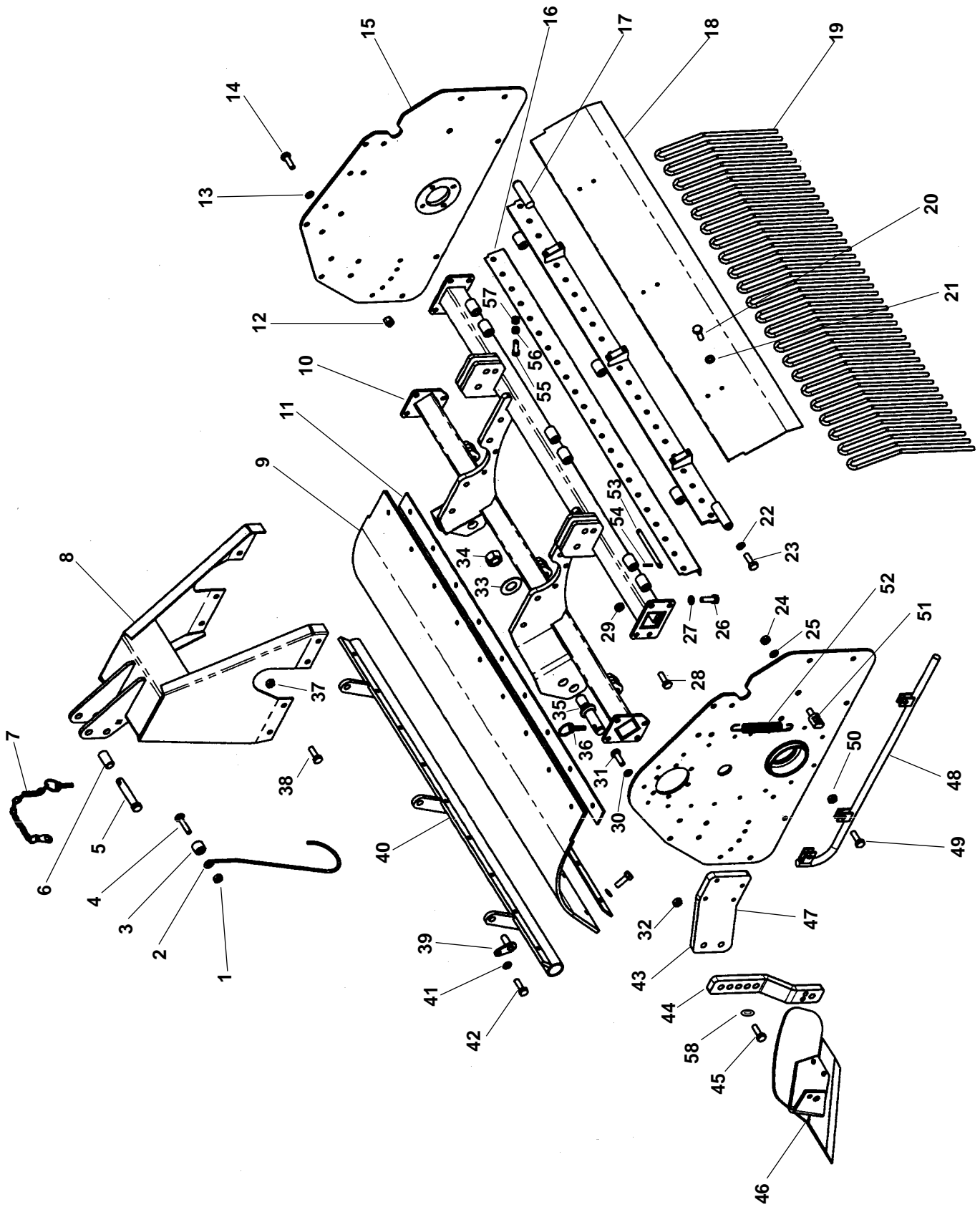


Fig.	Serial nº	Part nº	Pieces	Notes
47		74 9668958 00R	1	
48		74 9668999 00	2	
49		301 412 305	6	Bolt M12 x 30mm
50		307 212 125	6	Self locking nut M12
51		74 9669000 00	2	
52		103120019	2	
53		74 9669281 00	#	
54		208 012 544	#	Pin 5 x 28mm
55		301 212 450	#	Bolt M12 x 45mm
56		74 9668968 00	#	
57		307 212 050	#	Self locking nut M12
58		108 101 740	4	Spring washer M16

# ST400

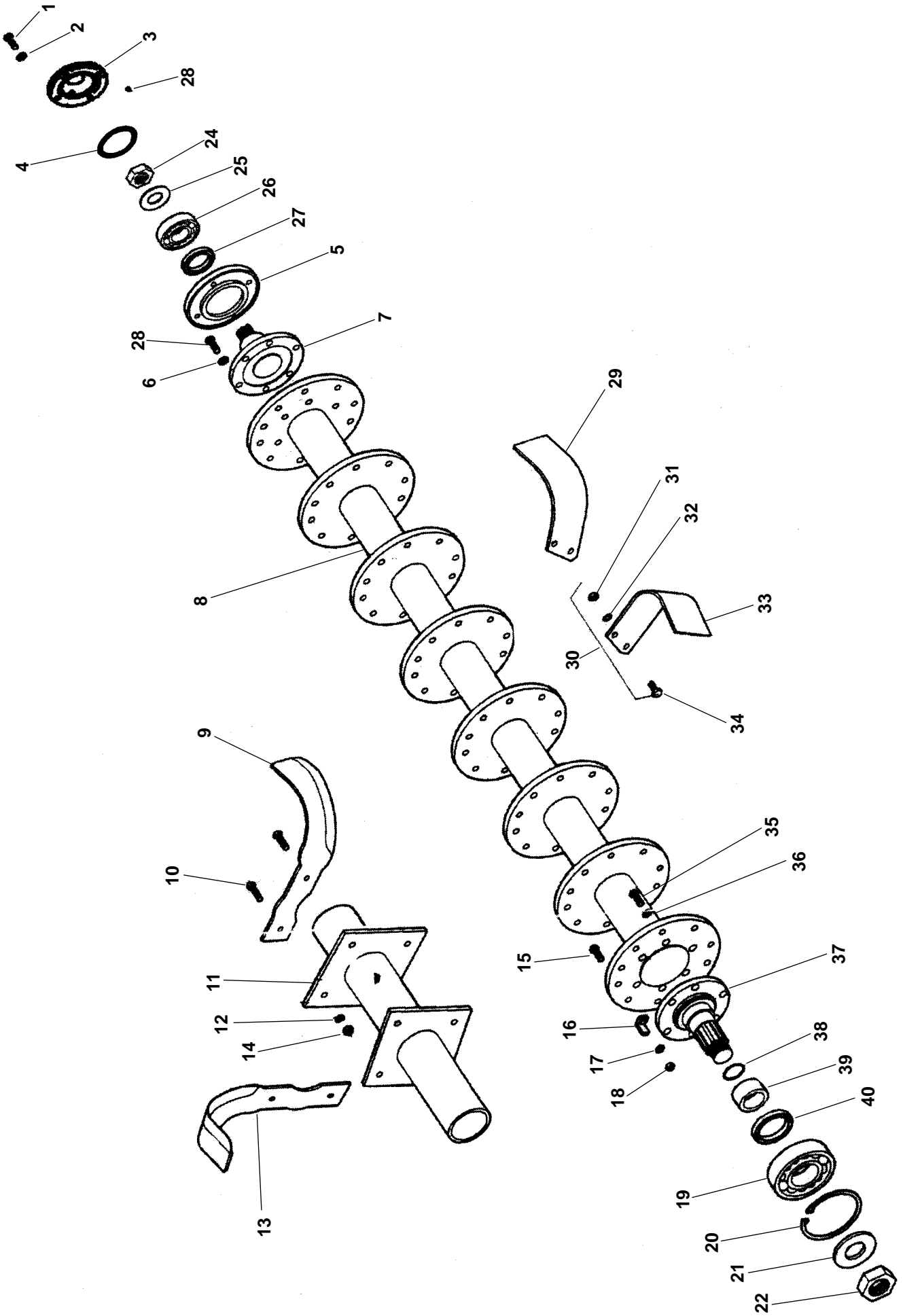


Fig.	Serial nº	Part nº	Pieces	Notes
1		74 304 210 355	4	Bolt M10 x 35mm
2		108 061 140	4	Spring washer M10
3		74 9668810 00 R	1	
4		74 202 071 190	1	
5		74 000640953	1	
6		108 081 440	6	Spring washer M12
7		74 000665055	1	
8		74 000640956 R	1	130
8		74 000640957 R	1	155
8		74 000649824 R	1	165
8		74 000640958 R	1	180
8		74 000649140 R	1	205
9		73 000009942 V	#	
10		101 107 140	#	Bolt 7/16" UNF
11		74 9669283 13 R	1	130
11		74 9669283 15 R	1	155
11		74 9669283 16 R	1	165
11		74 000667404 R	1	180
11		74 000667405 R	1	205
12		108 071 240	#	Spring washer 7/16"
13		73 000009941 V	#	
14		74 000061188	#	Nut 7/16"
15		74 000009852	2	
16		74 000649784 V	1	
16		74 000649785 V	1	
17		108 071 240	2	Spring washer
18		74 000061021	2	
19		255 011 271	1	Bearing #6310
20		208 001 520	1	Circlip I - 110
21		203 026 020	1	Belleville
22		74 000640114	1	Special nut
23		202 030 020	1	Grease nipple 1/8"
24		74 000665062	1	
25		308 240 020	1	Belleville
26		253 072 191	1	Bearing #6306
27		266 545 081	1	Seal 65 x 45 x 8mm
28		301 212 300	6	Bolt M12 x 30mm
29		73 000009901 V	#	
30		74 000069667	#	
31		74 000061188	#	
32		108 071 240	#	Spring washer
33		73 000009900 V	#	
34		74 000009852	#	
35		301 214 300	6	Bolt M14 x 30mm
36		308 140 040	6	Spring washer M14
37		74 000640950	1	
38		202 023 410	1	O'ring 44 x 50 x 3mm
39		74 000640951	1	
40		269 065 132	1	Seal 90 x 65 x 13 mm

# ST400

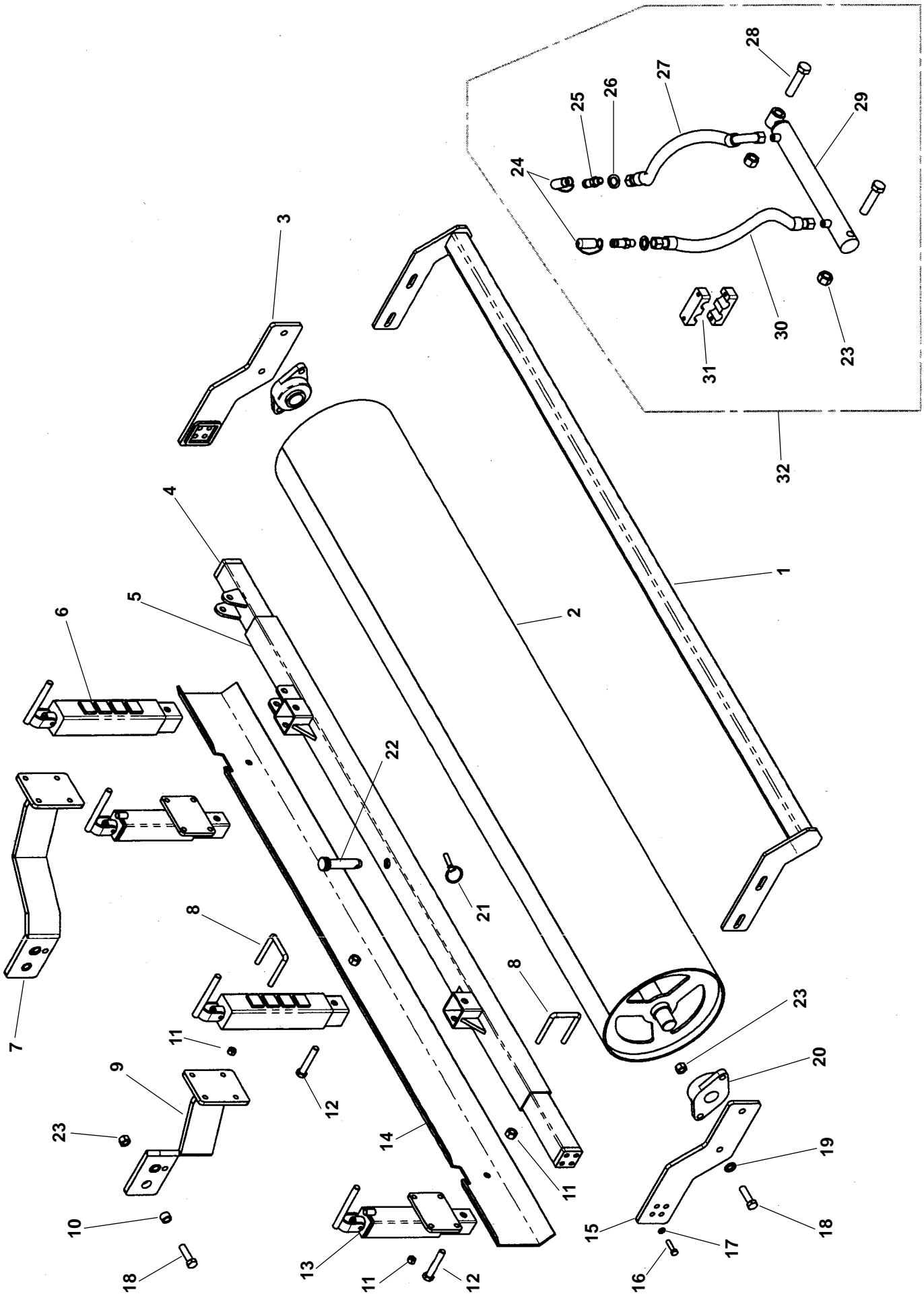


Fig.	Serial n°	Part n°	Pieces	Notes
1		74 9668963 13 V	1	130
1		74 9668963 15 V	1	155
1		74 9668963 16 V	1	165
1		74 9668963 18 V	1	180
1		74 9668963 20 V	1	205
2		74 9668955 13 V	1	130
2		74 9668955 15 V	1	155
2		74 9668955 16 V	1	165
2		74 9668955 18 V	1	180
2		74 9668955 20 V	1	205
3		74 9668953 00 V	1	
4		74 9668950 13 V	1	130
4		74 9668950 15 V	1	155
4		74 9668950 16 V	1	165
4		74 9668950 18 V	1	180
4		74 9668950 20 V	1	205
5		74 9668935 13 V	1	130
5		74 9668935 15 V	1	155
5		74 9668935 16 V	1	165
5		74 9668935 18 V	1	180
5		74 9668935 20 V	1	205
6		71 9189006 00	2	
7		74 9668965 02 V	1	
8		71 208007948	8	
9		74 9668965 01 V	1	
10		74 9668967 00	4	
11		307 212 050	16	Self locking nut M12
12		71 301416905	4	Bolt M16 x 90 mm
13		74 9668940 00 V	2	
14		74 9668946 13 V	1	130
14		74 9668946 15 V	1	155
14		74 9668946 16 V	1	165
14		74 9668946 18 V	1	180
14		74 9668946 20 V	1	205
15		74 9668953 01 V	1	
16		301 210 400	8	Bolt M10 x 40 mm
17		108 081 440	8	Spring washer 1/2"
18		301 216 600	6	Bolt M16 x 60 mm
19		308 160 040	4	Flat washer M16
20		254 014 500	2	Bearing # UCFL 208
21		74 000060495	1	
22		71 000653321	1	
23		307 216 050	12	Self locking nut M16
24		74 202040630	2	
25		74 202047800	2	
26		74 202029620	2	
27		74 9669241 00	1	
28		71 301216705	2	Bolt M16 x 70 mm
29		74 000667865	1	
30		74 9669242 00	1	
31		74 207027353	1	
32		74 9669282 00	1	Complet kit

# ST400

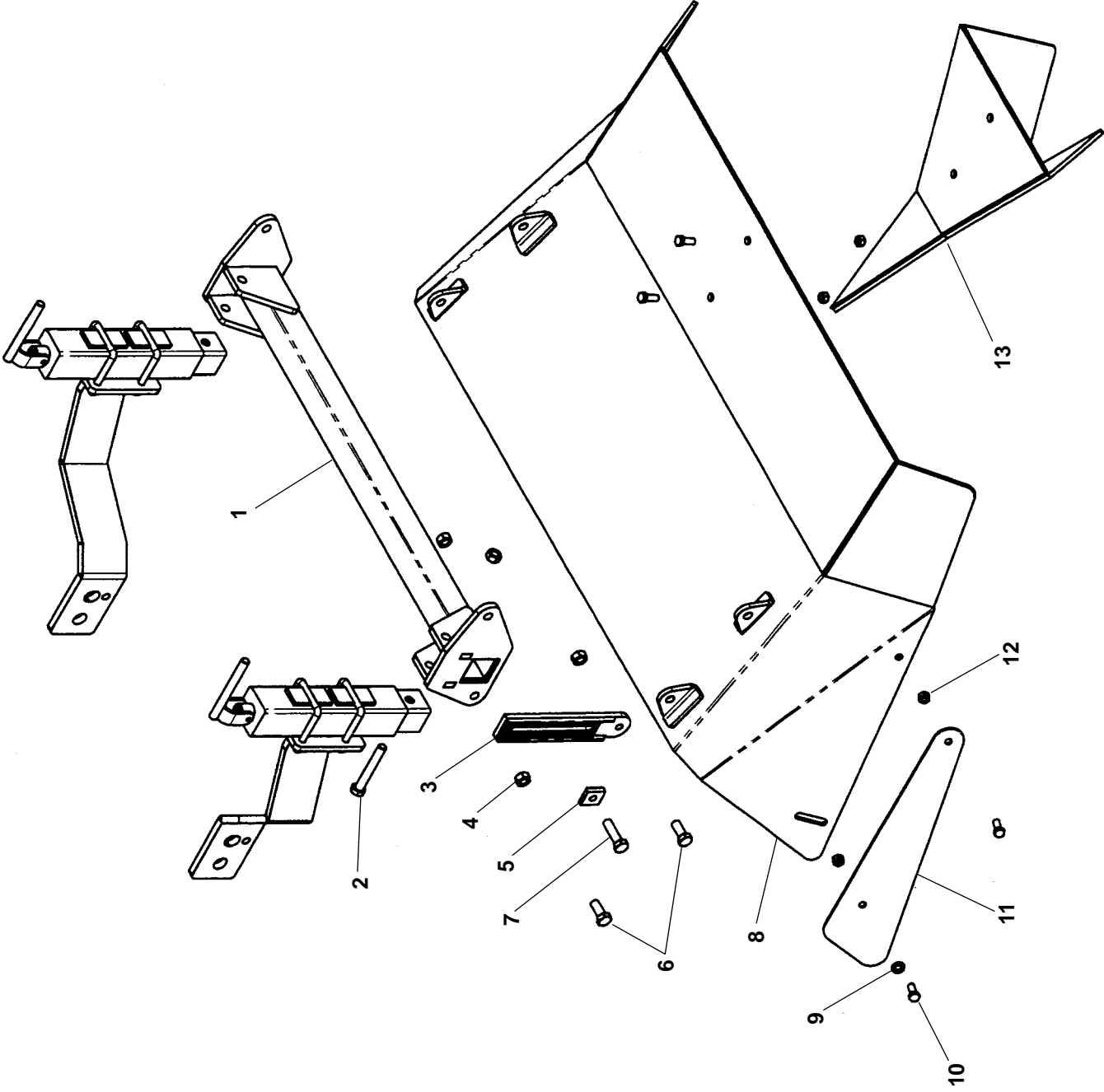




Fig.	Serial nº	Part nº	Pieces	Notes
1		74 9669011 00 R	1	
2		71 301616115	2	Bolt M16 x 110 mm
3		74 000666796 V	2	
4		307 216 050	8	Self locking nut M16
5		74 9669251 00	2	
6		301 216 405	4	Bolt M16 x 40 mm
7		301 216 600	2	Bolt M16 x 60 mm
8		74 9669032 00 V	1	130
8		74 9669032 15 V	1	150
8		74 9669032 16 V	1	165
8		74 9669032 18 V	1	180
8		74 9669032 20 V	1	205
9		301 212 300	6	Bolt M12 x 30 mm
10		308 120 025	2	Flat washer M12
11		74 9669035 00 V	2	
12		307 212 050	6	Self locking nut M12
13		74 9669273 00 V	1	

74966929800

16-06-2008