

# Rotavator



R500, R600, R700 and R800

# Rotavator - Highly effective for optimal tillage



Rotavator 500B-230M.



Adjustable CE protections. Easy adaptation for front wheels, track looseners, etc.



Rotavator is the most effective system for crumbling and residues incorporation.



Compact depth control system for rear wheels and rollers.

## Rotavator is the most efficient system when we ask for a definitive tillage solution

No matter the soil type, the conditions or amount of residues: The result is always the best.

Anyhow, it can be adjusted to get many different working depths, and soil finish with very easy changes.

The Rotavator is also the most versatile implement for two purposes:

1. Crumbling: It can be set from a very coarse tillage to a very fine finish
2. Residues mixing: It can cope with high amounts of weeds or trash without blocking and giving the most perfect mixture of the residues. The benefits are a complete clean surface and easy incorporation of organic material to the soil structure.

The Rotavator program offers a wide range of final versions making easy to adapt the machine to any tractor or application.

### Scrumbling effect

The Rotavator is acting cutting soil slices with the rotor and projecting them to the rear trailing board. A combination of working depth, rotor speed, tractor speed and trailing board settings allows a wide range of tillage finish. It is highly appreciated in vegetable growing where the soil conditions for the plant-

ers need to be extremely fine. This is even more important when the crop production is consisting on roots, bulbs, tubercles or other subsoil products, as potato, carrot, onion, asparagus, and others, where the presence of big clods can affect the quality and the shape of the product. Even though the Rotavator can also be used as a quick seed bed preparator for normal farming crops, using it as a final pass before drilling or in combination with a seed drill.

### Residues incorporation

The rotating blades mix perfectly the residues with the soil better than any other implement.

- Manure incorporation
- Fertilizing crop incorporation
- Maize and grain stubble incorporation
- Weed control
- Vegetable residues

### HOWARD Rotavator. The original is better

Since 1922, the HOWARD Rotavator has helped thousands of farmers around the world. Today the HOWARD range has the ultimate technologies to match the more professional users needs.

The original blade "Made in France" offers what is expected from a cost saving farming management:

- Durability
- Less power requirement
- High crumbling effect
- Less soil compaction
- Wide range of Rotor possibilities
- Longer periods between blade changes

Reliable transmission elements make the difference:

- Original clutch with syntherised brass discs.
- Highly efficient gearboxes in single speed, four speed Selectatilt, and lever change gearbox.
- Gear side transmission (except R500B)
- Face seals on the rotor bearing units.



# Rotavator 500 series



Standard Selectafilt gearbox. The speed is adjusted to the desired finish.



Reinforced Selectafilt gearbox for 280 and 305 working width. It can be mounted to tractors up to 125 HP.



Double hinged trailing board. Allows very compact mounting of rollers.

The Rotavator 500 is presented in a wide range of working widths and different settings to be fitted to most applications with medium tractors.

## Rotavator 500B - Chain side drive

Model	Working width cm	Transport width cm	Speed rpm		Weight kg	Number of blades	Tractor engine power, HP
			Mono	Selectafilt			
R500B-110M	110	139	210	175/195 220/245	400	27	40-60
R500B-125M	125	154			420	30	40-60
R500B-130M/S	130	159			430-450	30	45-60
R500B-155M/S	155	184			480-500	36	50-70
R500B-165M/S	165	194			505-525	39	55-70
R500B-180M/S	180	209			530-550	42	60-75
R500B-190M/S	190	219			555-575	45	65-80
R500B-205M/S	205	224			580-600	48	70-85
R500B-215M/S	215	234			605-625	51	75-85
R500B-230M/S	230	259			630-650	54	75-90
R500B-255M/S	255	284	680-700	60	85-100		

## Rotavator 500 series

The Rotavator 500 is presented in a wide range of working widths and different settings to be fitted to most applications with medium tractors. The combination of different trailing boards, depth control and rotors available, gives the user the possibility to apply it in many different purposes such as: Vegetable production, orchards, vineyards or normal farming. The very strong frame concept with double plate allows the use in very heavy conditions without problems. With the new depth control concept the machine has a very compact overall size, which allows to work very close to the edge of the field and to other possible obstacles (as irrigation systems or plantations.)

## Rotavator 500S - Gear side drive

Model	Working width cm	Transport width cm	Speed rpm		Weight kg	Number of blades	Tractor engine power, HP
			Mono	Selectafilt			
R500S-180M/S	180	209	210	175/195 220/245	530-550	42	60-75
R500S-190M/S	190	219			555-575	45	65-80
R500S-205M/S	205	224			580-600	48	70-85
R500S-215M/S	215	234			605-625	51	75-85
R500S-230M/S	230	259			630-650	54	75-90
R500S-255M/S	255	284			680-700	60	85-100
R500S-280/S	280	305	210	205/225 245/275	900	66	95-115
R500S-305S	305	334			950	72	100-125



Rotavator 500S-305S with cage roller.

# Rotavator 600 series



The Rotavator 600 series is mostly used with medium to big tractors, in intensive farms and for contractors.

There are machines from 180 to 405 cm working width and for tractors from 80 to 180 HP. The range is available in 4 different rotor types both in single or double flange. Is also available with 3 different gearboxes depending on the tractor power. Two of them have 4 speed changing the gear position and the last is with 3 speed lever change system and with oil cooling system.

The range includes the new 280 cm working width (on transport width 300 cm) to comply with traffic regulation in most European countries without special permission. This has been possible due to the new depth control system which is extremely compact and reliable.

The depth control is available with skids (only until 255 working width), with rear wheels and a wide range of packer rollers, depending on the application and soil conditions.



R600S-D. Lever change gear and oil cooling system. Suitable for tractors up to 180 HP.



R600B-S The selectatilt gearbox is very reliable and suitable for tractors up to 140 HP.



Gear side drive.



R600S-S. Four speeds for heavy duty use. This model can be fitted to tractors up to 180 HP.

Model	Working width, cm	Transport width, cm	Speed rpm		Weight kg	Number of blades	Tractor engine power HP
			Selectatilt S	Lever change D			
R600B/S-180S	180	210	200/220 245/270	219/237 278/302	700-750	42	80-130
R600B/S-205S	205	235					
R600B/S-230S	230	260					
R600B/S-255S/D	255	285					
R600B/S-280S/D	280	305					
R600B/S-305S/D	305	335					
R600S-355S/D	355	385					
R600S-405S/D	405	335		219/246/ 277	1250-1310	84	130-180
					1270-1430	96	130-180

# Rotavator 700X



Rotavator 700 is dedicated to the contractors and big farms.

Rotavator 700 series are the most sophisticated machines in their category. With double side transmission in only one blade rotor, the machine offers high reliability due to its synchronized gear side transmission. The oil cooling system allows long and intensive working days protecting the transmission elements and giving a long operative life to the complete machine.

The rotor bearing units are protected (as well as the other series) with face seals, giving a longer life to the units that can be 2 or 3 times longer than the normal system with plain oil seals.

The frame is extremely strong, including 3 structural tubes and double plate hull.



Heavy duty friction clutch.



Rotavator 700S-D gearbox. Lever change gearbox and oil cooling system.



Linkage cat. 3 and 2 with quick coupling.



Gear side drive.

Model	Working width, cm	Transport width, cm	Speed rpm	Weight kg	Number of blades	Tractor engine power, HP
R700X-255D	255	285	188,212,238	1300	60	up to 220
R700X-305D	305	335		1440	72	
R700X-355D	355	385		1590	84	
R700X-405D	405	435		1740	96	
R700X-255S	255	285	220,238, 280,303	1340	60	up to 250
R700X-305S	305	335		1480	72	
R700X-355S	355	385		1630	84	
R700X-405S	405	435		1780	96	

# Rotavator 800X



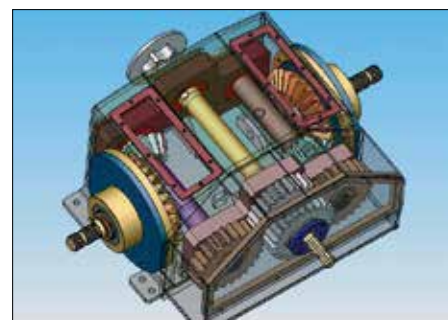
## The most reliable machine for large farms and contractors

The Rotavator 800X benefits from highly reliable transmission elements:

- New heavy duty clutch
- Gearbox with manual change and high security ratio for tractors up to 320 HP
- Side drive lines friction clutch
- Gear drives on both sides with extra reduction ratio
- Oil cooling system, with internal oil redirection to the bearings
- Face seals in rotor bearing units



3 point linkage cat. 3 with floating lower links.



Reinforced Selectatilt gearbox, with oil cooling system.

The folding system includes a heavy duty central frame, hydraulic folding and safety hooks for transport.

The machine is designed to work with a rear roller. The options include a crumple roller, slick roller and a toothed packer roller.

The machine can work intensively with high powered tractors and in difficult conditions, therefore increasing the productivity on large farms producing grass, maize, vegetables etc.



Work in difficult conditions.



Detail of the combi hinged trailing board and depth control.

Model	Working width (m)	Transport width m	Speed Rpm	Weight with crumbler roller (kg)	Number of blades	Tractor engine power HP
R800X-400S	4.00	3.00	233 / 273	2900	90	200-320
R800X-450S	4.50	3.00	233 / 273	3050	102	210-320
R800X-500S	5.00	3.00	233 / 273	3200	114	220-320
R800X-540S	5.40	3.00	233 / 273	3400	126	230-320
R800X-600S	6.00	3.00	233 / 273	3600	138	250-320

# Rotalabour



The Rotalabour is a perfect machine for seedbed preparation.

The special shape of the Rotalabour blades even when is highly effective breaking the clods, take very small power from the tractor.

This allows bigger working widths than a normal Rotavator, using the same tractor. Another positive aspect of the Rotalabour rotors is the fact that the soil under the working depth receives discontinued pressure from the blades increasing the filtration capacity of the soil.

The blade is coming into the soil in a "negative" angle, meaning that the vegetal residues cannot be stacked in the middle of the rotor as happens with most of similar rotors from other manufacturers.



Rotor Rotalabour 2 boulons.



Rotor Rotalabour F1-R500.



Rotalabour 600S-305S with toothed packer roller



Rotor Rotalabour F1-R600/700.

## ROTLABOUR 500B/S - 600B/S - 700S

Model	Working width, cm	Transport width, cm	Speed rpm			Weight without roller (kg)	Number of blades		Tractor engine power HP			
			Mono	Selectaflith S	Lever change D		2 bolt	F1				
RL500B-180M	180	209	275			890	54	30	50-70			
RL500B-205M	205	224				970	62	36	60-80			
RL500B-230M	230	259				1050	70	40	70-90			
RL500B-255M	255	284				1130	78	46	80-100			
RL500B-230S	230	259		155/175		1080	70	40	75-90			
RL500B-255S	255	284		245/275		1150	78	46	85-100			
RL500B-280S	280	305		185/205		1250	86	52	95-110			
RL500B-305S	305	334		275/300		1320	94	56	100-120			
RL500S-230S	230	259		155/175		1100	70	40	75-90			
RL500B-255S	255	284		245/275		1170	78	46	85-100			
RL500B-280S	280	305		185/205		1270	86	52	95-115			
RL500S-305S	305	334		275/300		1340	94	56	100-125			
RL600B-180S	180	210				180/220 245/295		1080	54	42	80-120	
RL600B-205S	205	235						1180	62	48	90-120	
RL600B-230S	230	260						1280	70	54	100-120	
RL600B-255S	255	285						1380	78	60	100-130	
RL600B-280S	280	305	1480		86			66	115-140			
RL600B-305S	305	335	1580		84			72	125-140			
RL600S-180S	180	210		219/237 278/302		1100	54	42	80-130			
RL600S-205S	205	235				1200	62	48	90-140			
RL600S-230S	230	260				1300	70	54	100-150			
RL600S-255S	255	285				1400	78	60	100-160			
RL600S-280S	280	305				1500	86	66	110-170			
RL600S-305S	305	335				1600	94	72	120-180			
RL600S-355S	355	385				1800	110	84	130-180			
RL600S-405S	405	335				2000	126	96	130-180			
RL600S-255D	255	285					219/246 /277		1450	78	60	100-160
RL600S-280D	280	305							1550	86	66	110-170
RL600S-305D	305	335	1650	94	72				120-180			
RL600S-355D	355	385	1850	110	84				130-180			
RL600S-405D	405	435				2000	126	96	130-180			
RL700S-255D	255	309		219/246 /277		1650	-	60	100-180			
RL700S-305D	305	359				1850	-	72	110-190			
RL700S-355D	355	409				2050	-	84	120-200			
RL700S-405D	405	459				2250	-	96	130-210			

Subject to alternative changes reserved. 101002121 KC/GB/R500-800/BRO/0514



**Kongskilde Industries Inc.**

Tel. +1 309-820-1090

mail@kus.kongskilde.com

www.kongskilde.com